



US00D870847S

(12) **United States Design Patent**
Mercado

(10) **Patent No.:** **US D870,847 S**

(45) **Date of Patent:** **** Dec. 24, 2019**

(54) **SHOWER HEAD AND MOUNT**

(71) Applicant: **Carlos Mercado**, New Braunfels, TX
(US)

(72) Inventor: **Carlos Mercado**, New Braunfels, TX
(US)

(**) Term: **15 Years**

(21) Appl. No.: **29/663,443**

(22) Filed: **Sep. 14, 2018**

(51) **LOC (12) Cl.** **23-01**

(52) **U.S. Cl.**
USPC **D23/213; D23/223**

(58) **Field of Classification Search**
USPC D23/213, 214, 215, 223, 224, 226, 229,
D23/230
CPC A61H 9/0021; A61H 33/00; B05B 1/00;
B05B 1/14; B05B 1/185; B05B 1/08;
B05B 1/02; B05B 1/26; B05B 12/002;
B05B 1/18; B05B 9/01

See application file for complete search history.

(56) **References Cited**

U.S. PATENT DOCUMENTS

6,537,455	B2 *	3/2003	Farley	C02F 1/003 210/251
D559,945	S *	1/2008	Patterson	D23/213
D564,621	S *	3/2008	Lammel	D23/223
D581,014	S *	11/2008	Quinn	D23/223
7,866,576	B1 *	1/2011	Farley	E03C 1/0409 239/553
D634,810	S *	3/2011	Yoo	D23/213
D659,796	S *	5/2012	Farley	D23/223
D659,797	S *	5/2012	Farley	D23/223
D666,010	S *	8/2012	Farley	D6/309
D680,619	S *	4/2013	Zhadanov	D23/223

D681,776	S *	5/2013	Cutler	D23/223
D744,065	S *	11/2015	Peterson	D23/223
D744,611	S *	12/2015	Quinn	D23/223
D755,346	S *	5/2016	Yan	D23/223
9,404,243	B2 *	8/2016	Cacka	B05B 1/1654
D779,039	S *	2/2017	Hanna	D23/223
9,764,339	B2 *	9/2017	Yu	B05B 1/18
D810,861	S *	2/2018	Weaver	D23/213
D820,949	S *	6/2018	Reinecker	D23/213
D842,967	S *	3/2019	Farley	D23/213
D857,842	S *	8/2019	Yu	D23/213
2012/0031511	A1 *	2/2012	Farley	E03C 1/0408 137/544
2019/0091715	A1 *	3/2019	Mercado	B05B 1/185

* cited by examiner

Primary Examiner — Manpreet S Matharu
Assistant Examiner — Keith J Wilson

(57) **CLAIM**

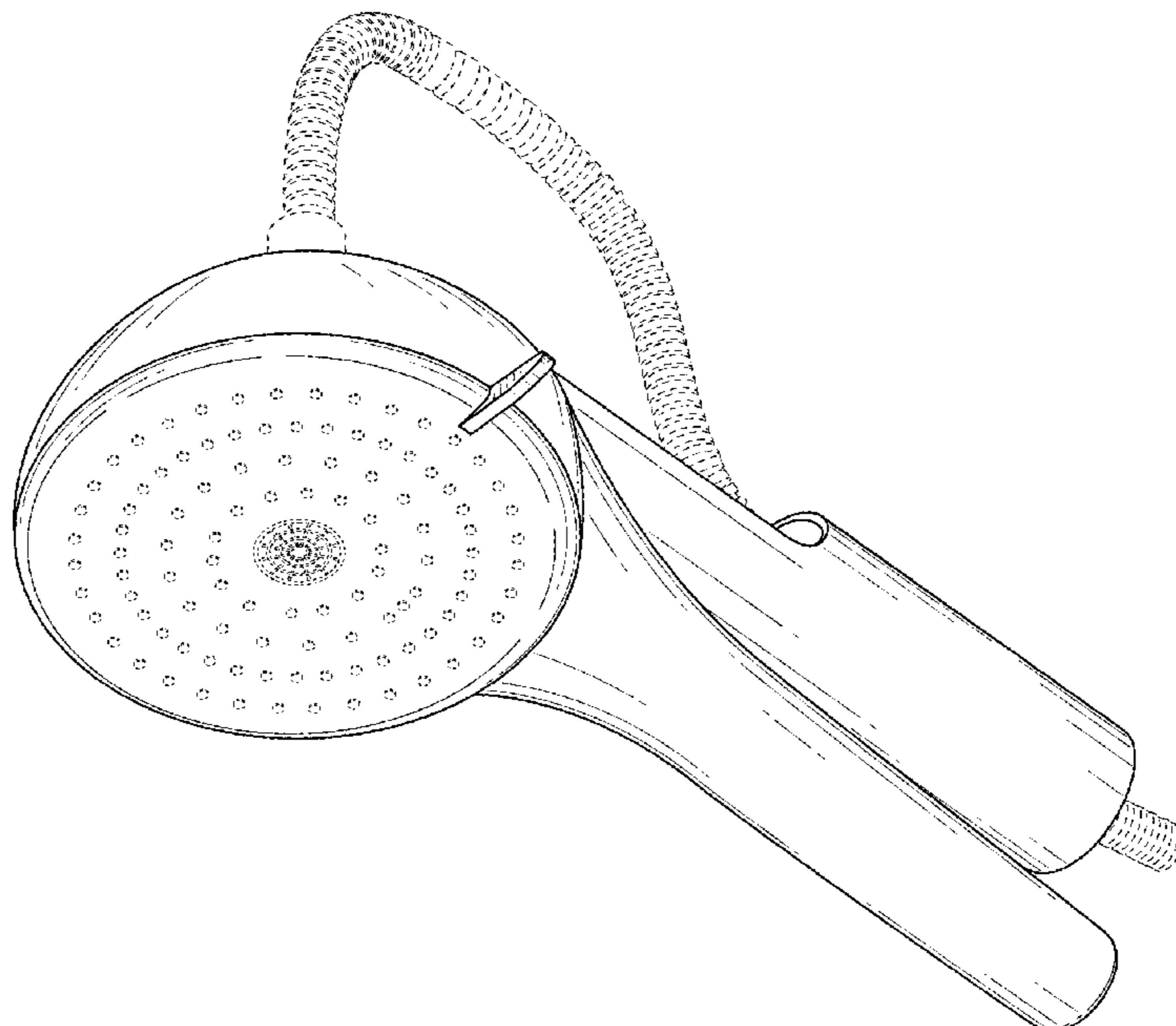
The ornamental design for a shower head and mount, as shown and described.

DESCRIPTION

FIG. 1 is a front perspective view of a shower head and mount;
FIG. 2 is a rear perspective view thereof;
FIG. 3 is an exploded perspective view thereof;
FIG. 4 is a front elevational view thereof;
FIG. 5 is a rear elevational view thereof;
FIG. 6 is a right side elevational view thereof;
FIG. 7 is a left side elevational view thereof;
FIG. 8 is an exploded left side elevational view thereof;
FIG. 9 is a top plan view thereof; and,
FIG. 10 is a bottom plan view thereof.

The broken lines shown represent portions of a shower head and mount and form no part of the claimed design.

1 Claim, 10 Drawing Sheets



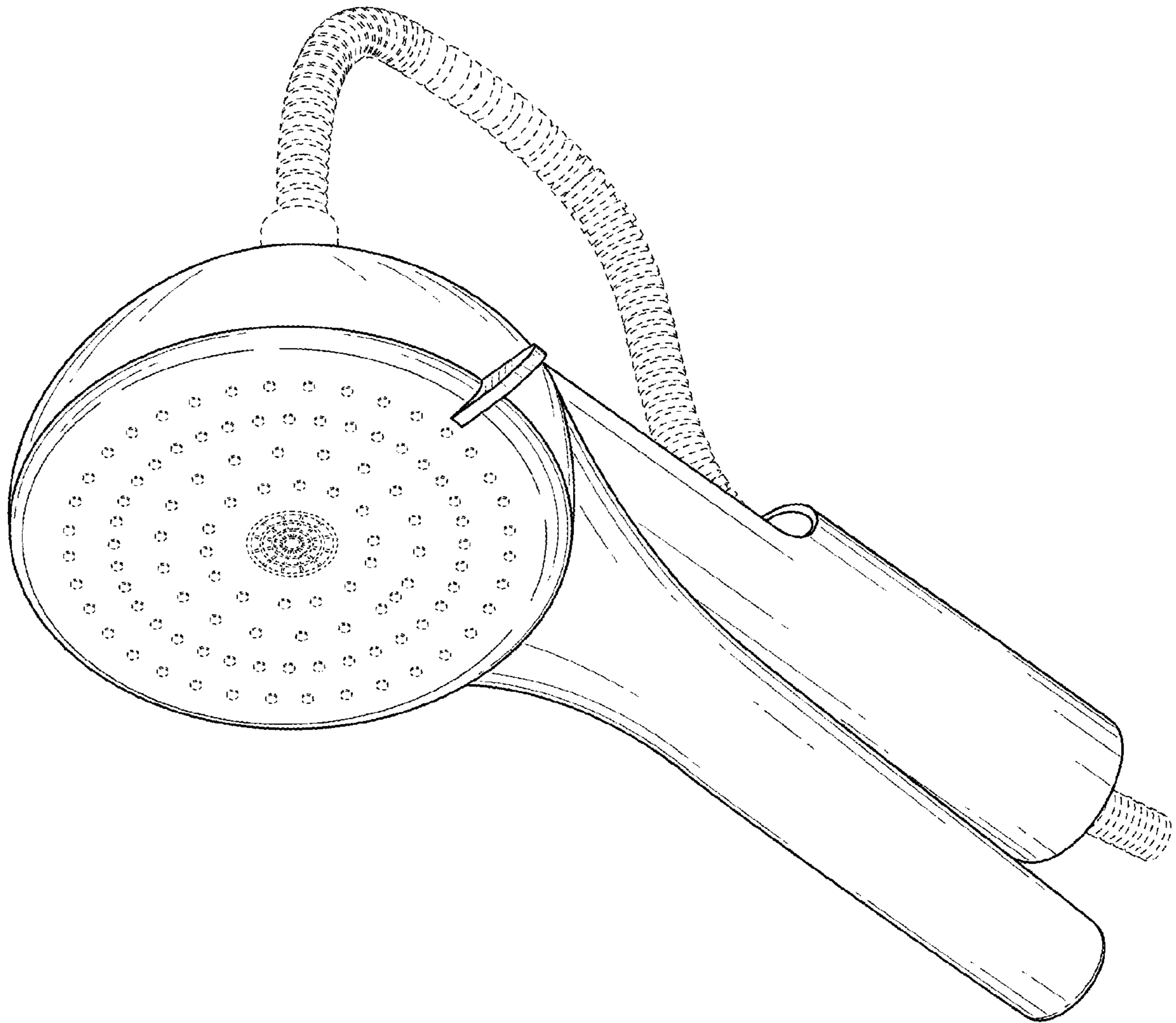


FIG. 1

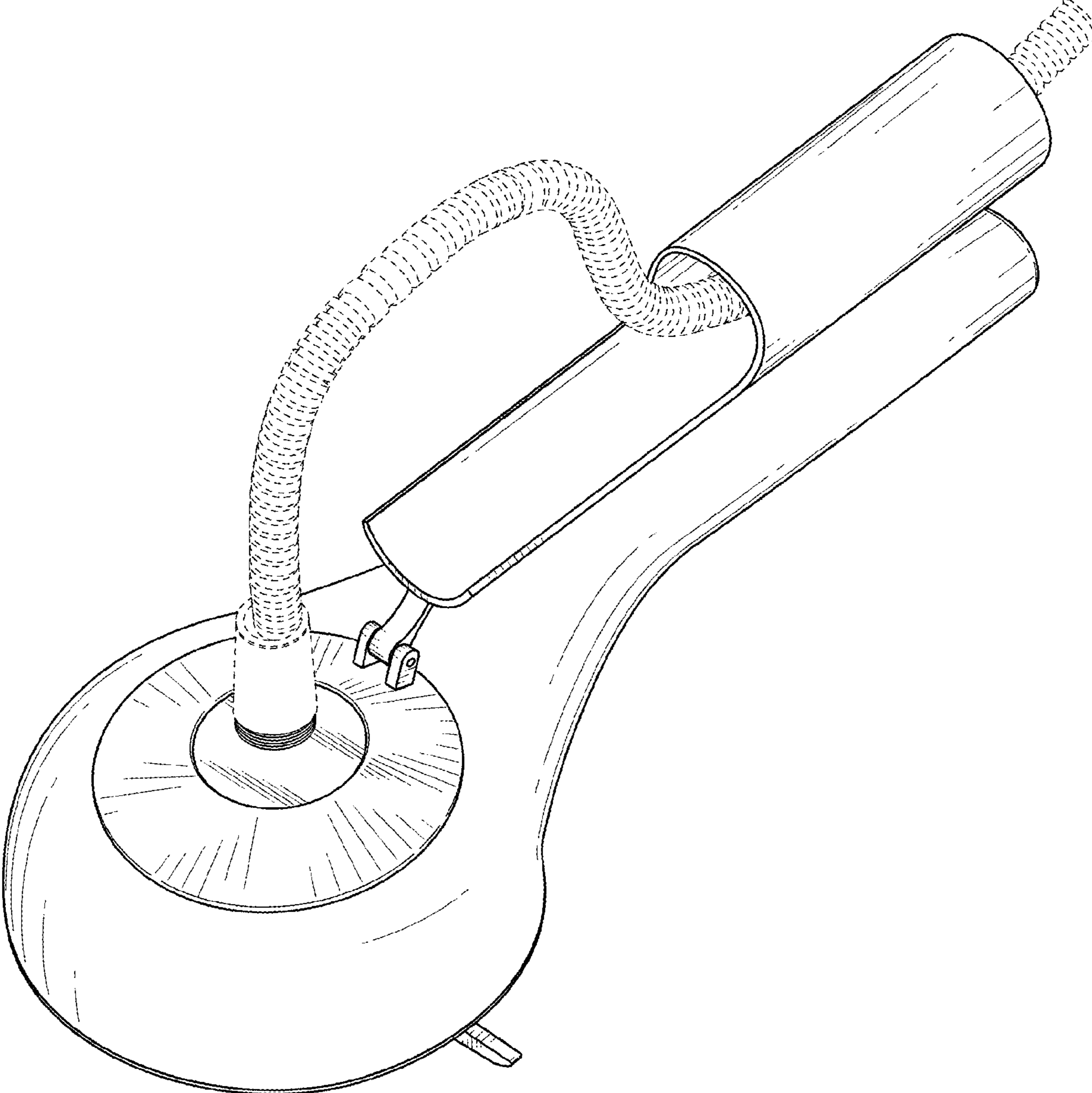


FIG. 2

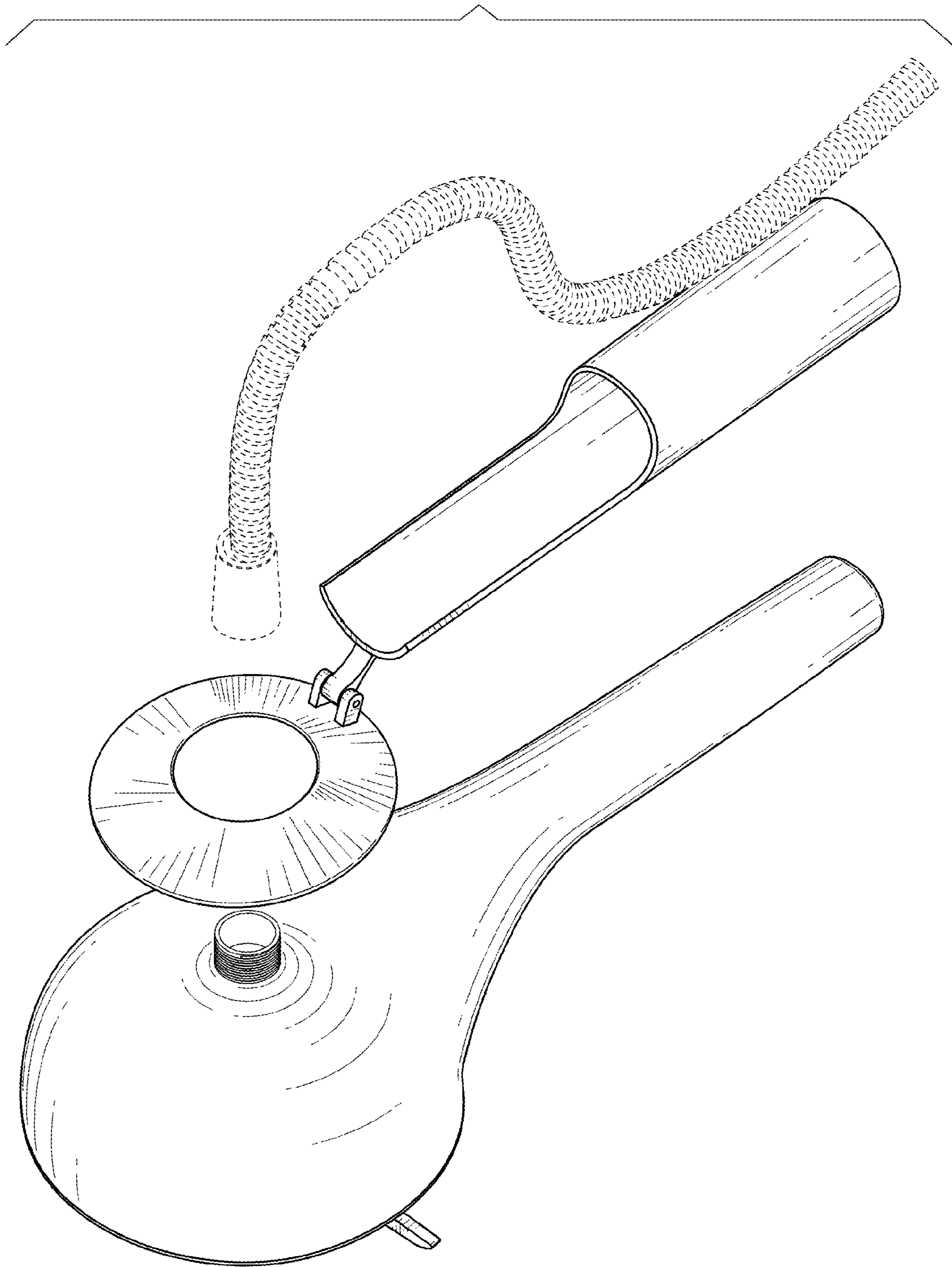


FIG. 3

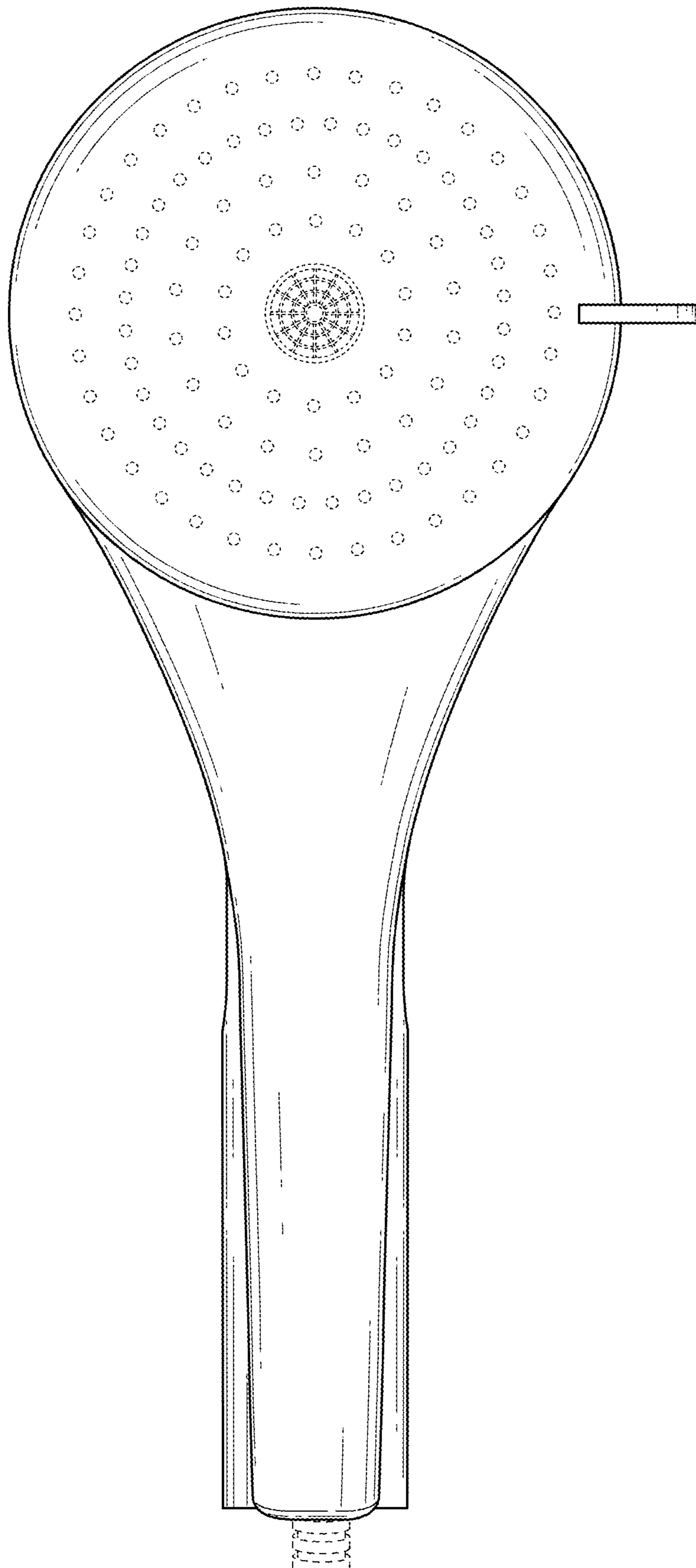


FIG. 4

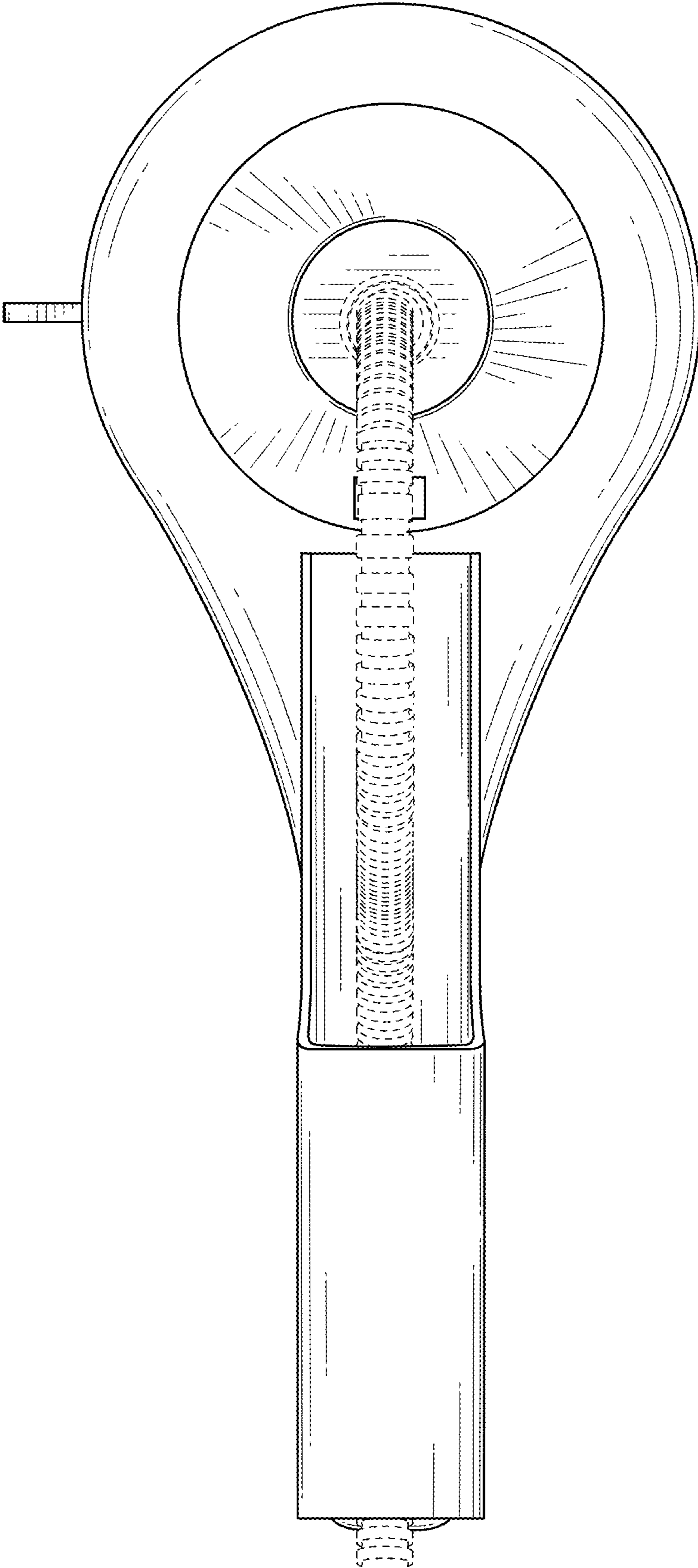


FIG. 5

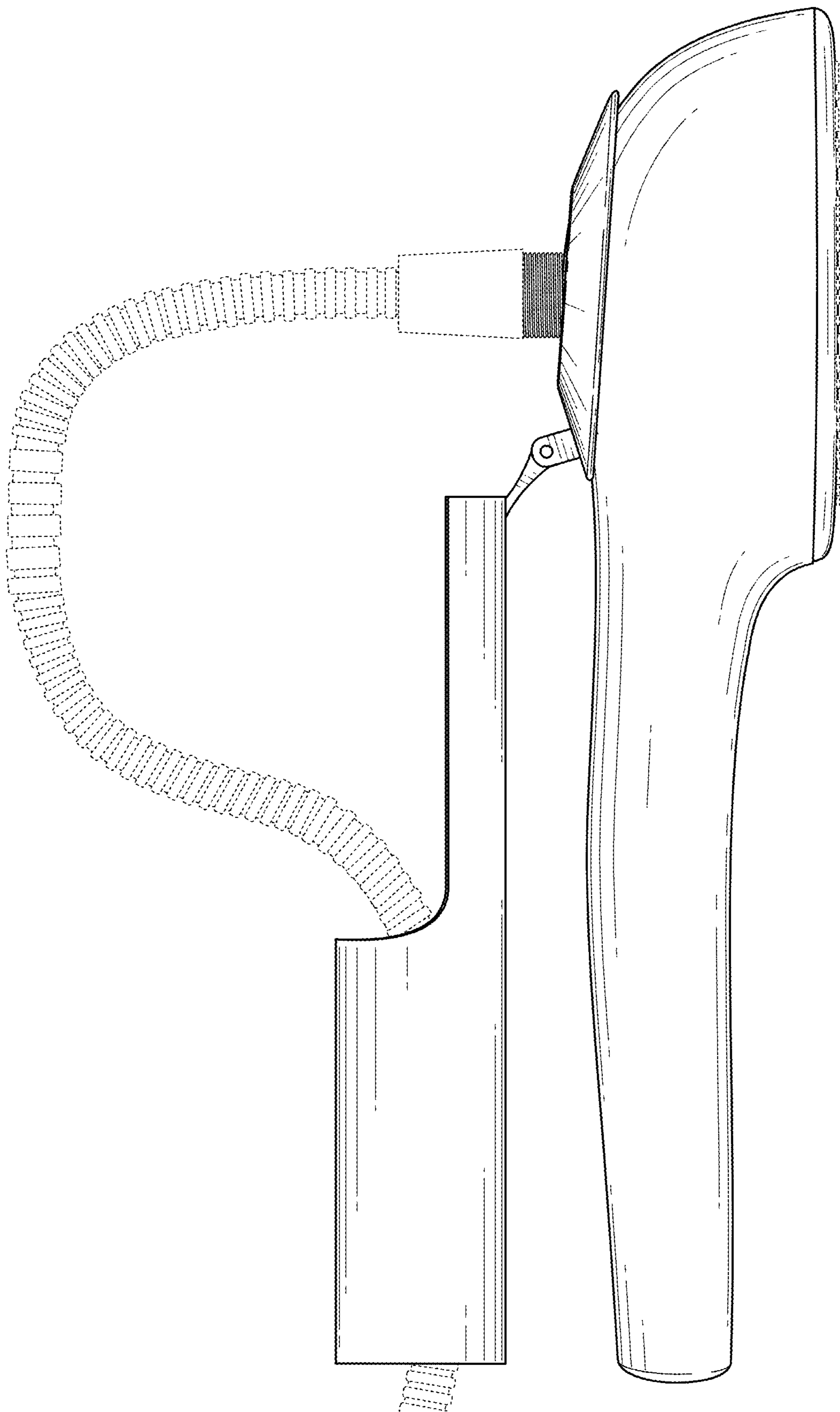


FIG. 6

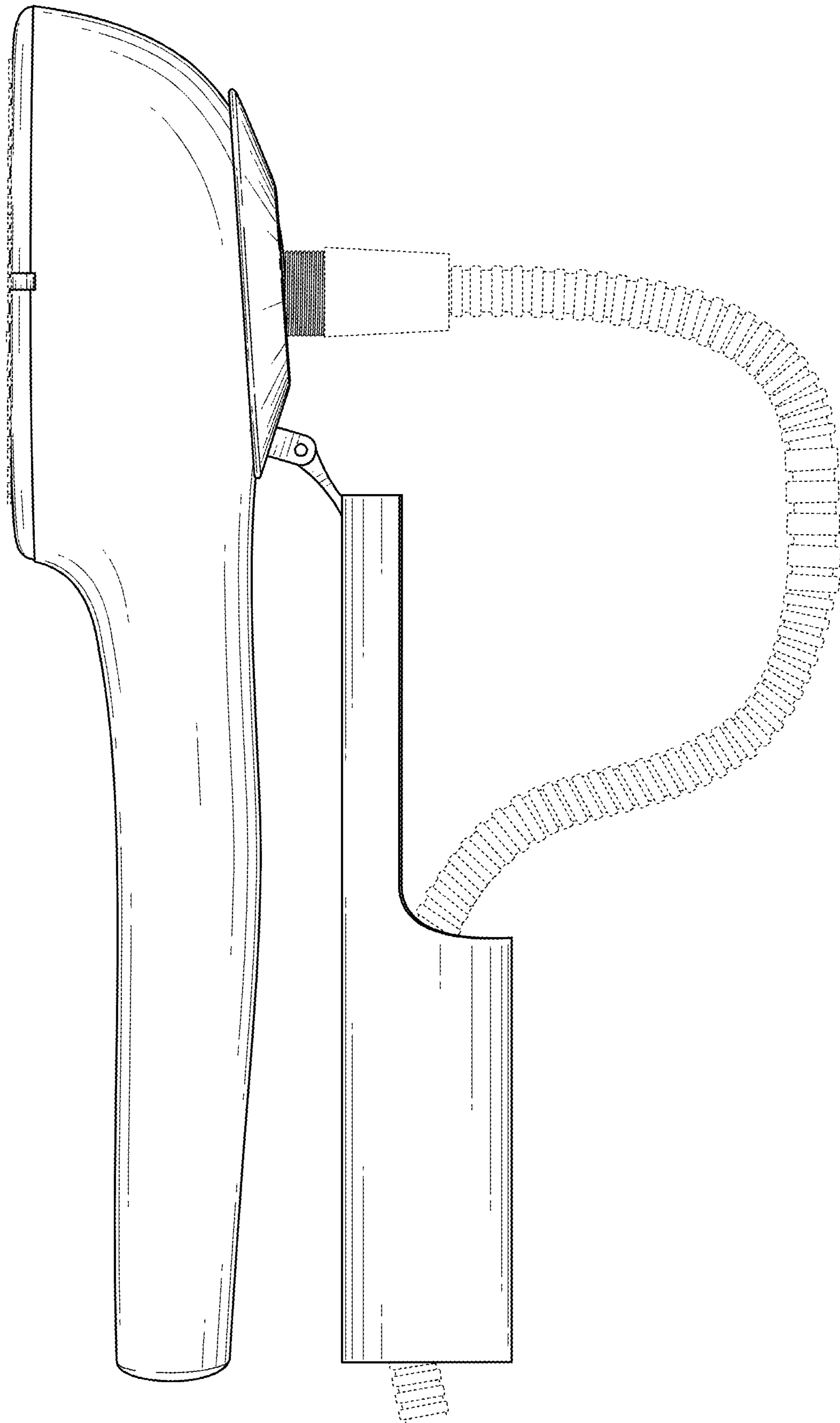


FIG. 7

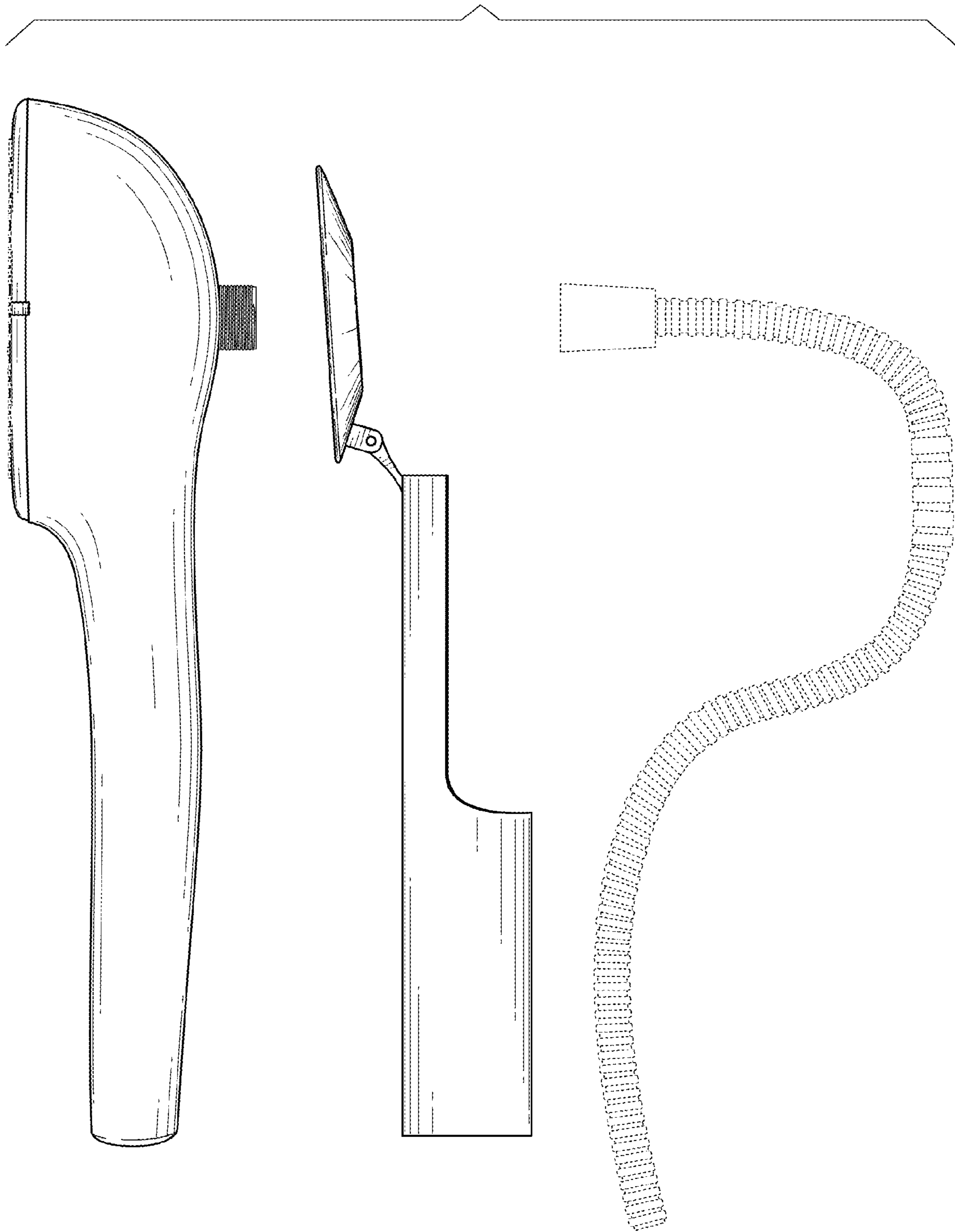


FIG. 8

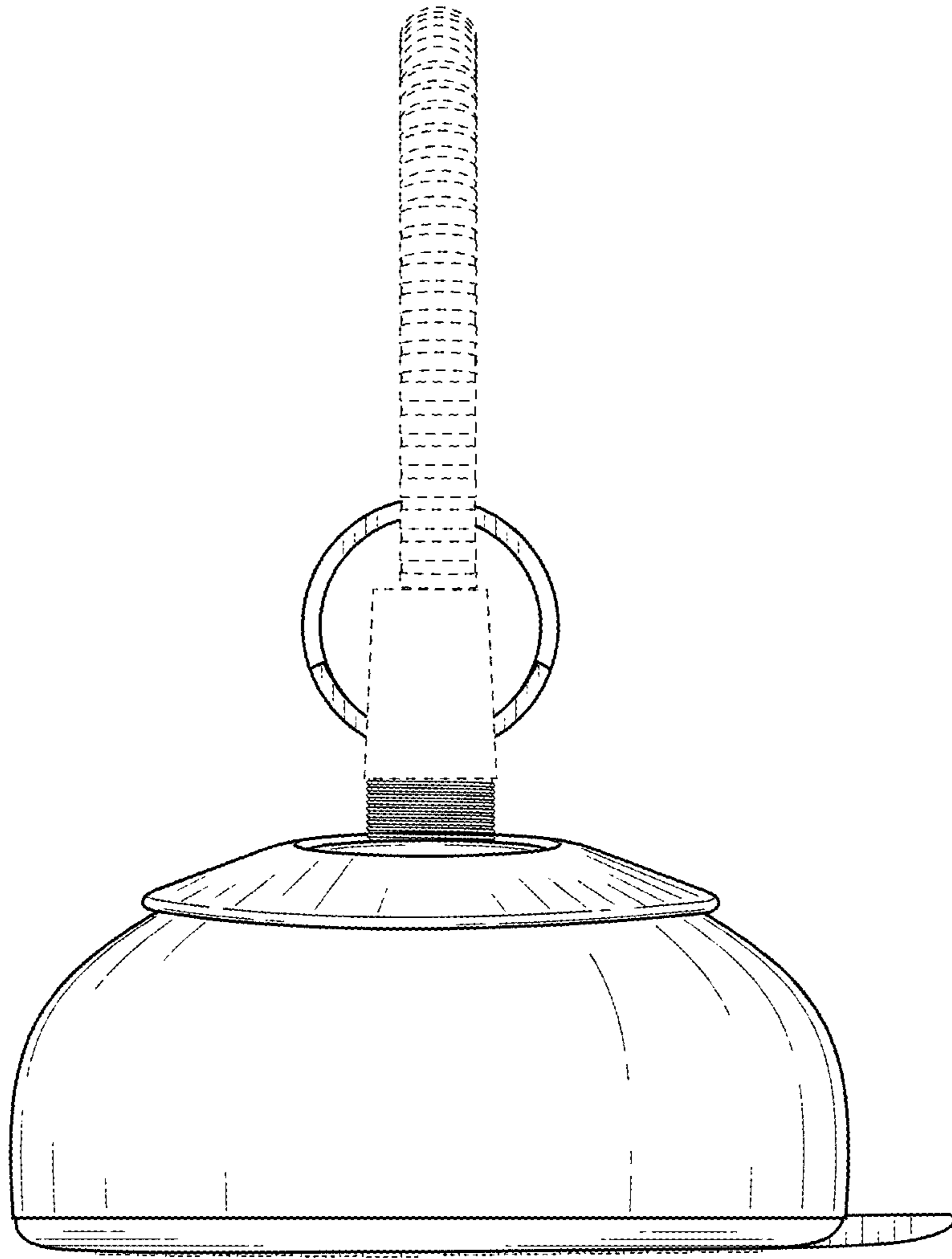


FIG. 9

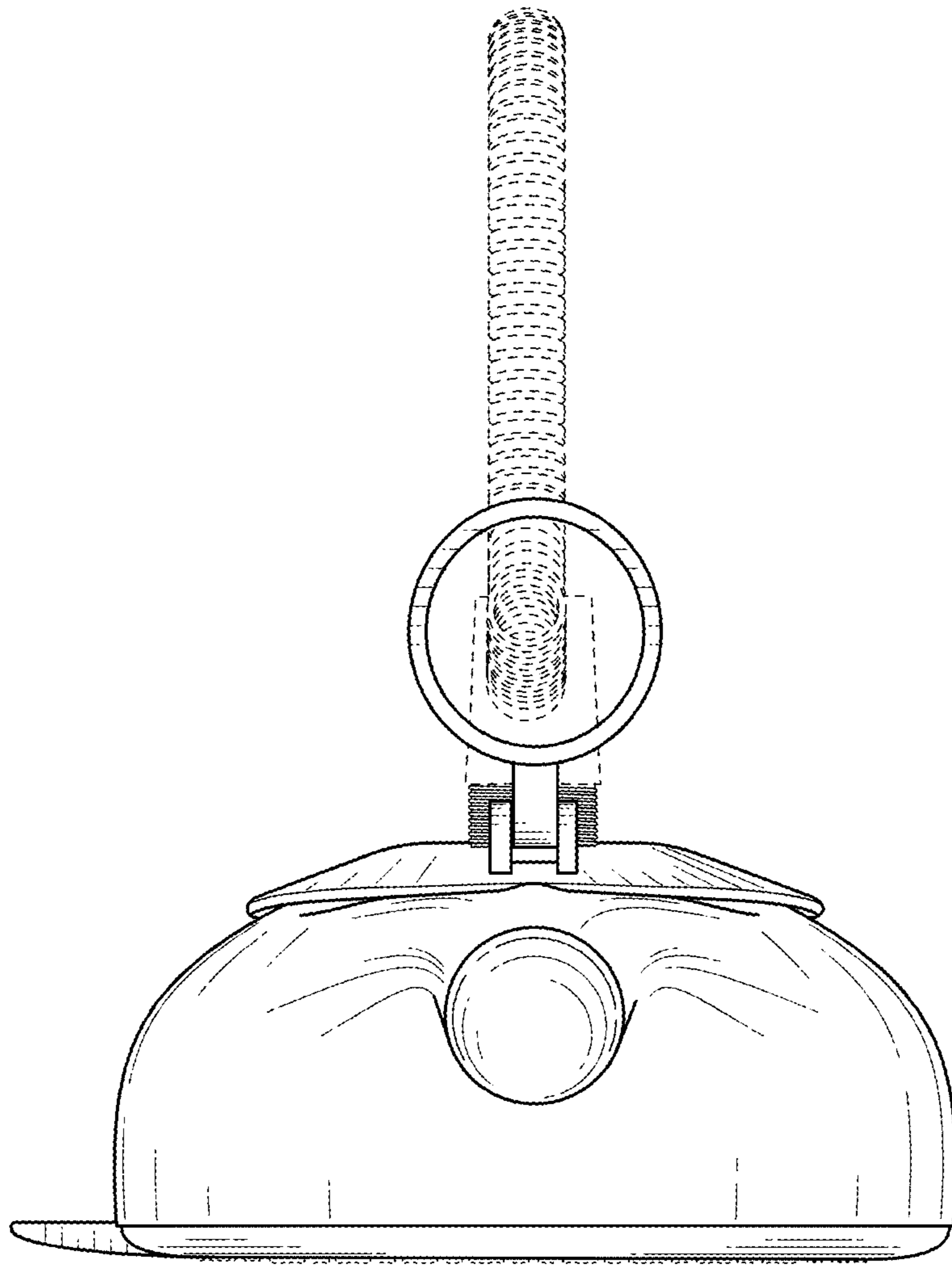


FIG. 10