



US00D870843S

(12) **United States Design Patent** (10) **Patent No.:** **US D870,843 S**  
**Matheny** (45) **Date of Patent:** **\*\* Dec. 24, 2019**

(54) **TANDEM FISH HOOK**

(71) Applicant: **Jack W. Matheny**, Jonesboro, GA (US)

(72) Inventor: **Jack W. Matheny**, Jonesboro, GA (US)

(\*\*) Term: **15 Years**

(21) Appl. No.: **29/666,749**

(22) Filed: **Oct. 16, 2018**

(51) **LOC (12) Cl.** ..... **22-05**

(52) **U.S. Cl.**  
USPC ..... **D22/144**

(58) **Field of Classification Search**  
USPC ..... D22/144; 43/17.2, 53.5, 42.39, 42.38,  
43/44.28, 44.82, 44.4, 44.81, 44.8, 42.31,  
43/43.2, 42.53, 42.37, 42.74, 43.14,  
43/43.16, 44.83, 43.4, 42.7; 294/19.1,  
294/19.2, 66.1, 66.2  
CPC ..... A01K 83/00; A01K 83/06; A01K 85/00;  
A01K 85/16; A01K 91/047; A01K 91/053  
See application file for complete search history.

(56) **References Cited**

**U.S. PATENT DOCUMENTS**

1,513,011	A *	12/1916	Russell et al.	.....	A01K 83/00 43/43.6
2,733,539	A *	10/1924	Kelly	.....	A01K 83/00 43/43.2
2,800,740	A *	2/1956	Glaze	.....	A01K 83/06 43/44.82
3,209,483	A *	10/1965	Malik	.....	A01K 83/00 43/44.82
4,280,296	A	7/1981	Volenc		
4,914,852	A *	4/1990	Hnizdor	.....	A01K 83/02 43/44.82
4,965,957	A	10/1990	Hnizdor		
5,884,430	A	3/1999	Livingston		
6,006,468	A	12/1999	Hnizdor		

(Continued)

**OTHER PUBLICATIONS**

Gamakatsu; Red Two-Hook Rig.

*Primary Examiner* — Catherine R Oliver-Garcia

(74) *Attorney, Agent, or Firm* — AP Patents

(57) **CLAIM**

The ornamental design for a tandem fish hook, as shown and described.

**DESCRIPTION**

FIG. 1 is a perspective view of a first embodiment of the tandem fish hook;

FIG. 2 is a front view of FIG. 1, with the rear view being identical;

FIG. 3 is a left side view thereof;

FIG. 4 is a right side view thereof;

FIG. 5 is a top view thereof;

FIG. 6 is a bottom view thereof;

FIG. 7 is a perspective view of a second embodiment of the tandem fish hook;

FIG. 8 is a front view of FIG. 7, with the rear view being identical;

FIG. 9 is a left side view thereof;

FIG. 10 is a right side view thereof;

FIG. 11 is a top view thereof;

FIG. 12 is a bottom view thereof;

FIG. 13 is a perspective view of a third embodiment of the tandem fish hook;

FIG. 14 is a front view of FIG. 13, with the rear view being identical;

FIG. 15 is left side view thereof;

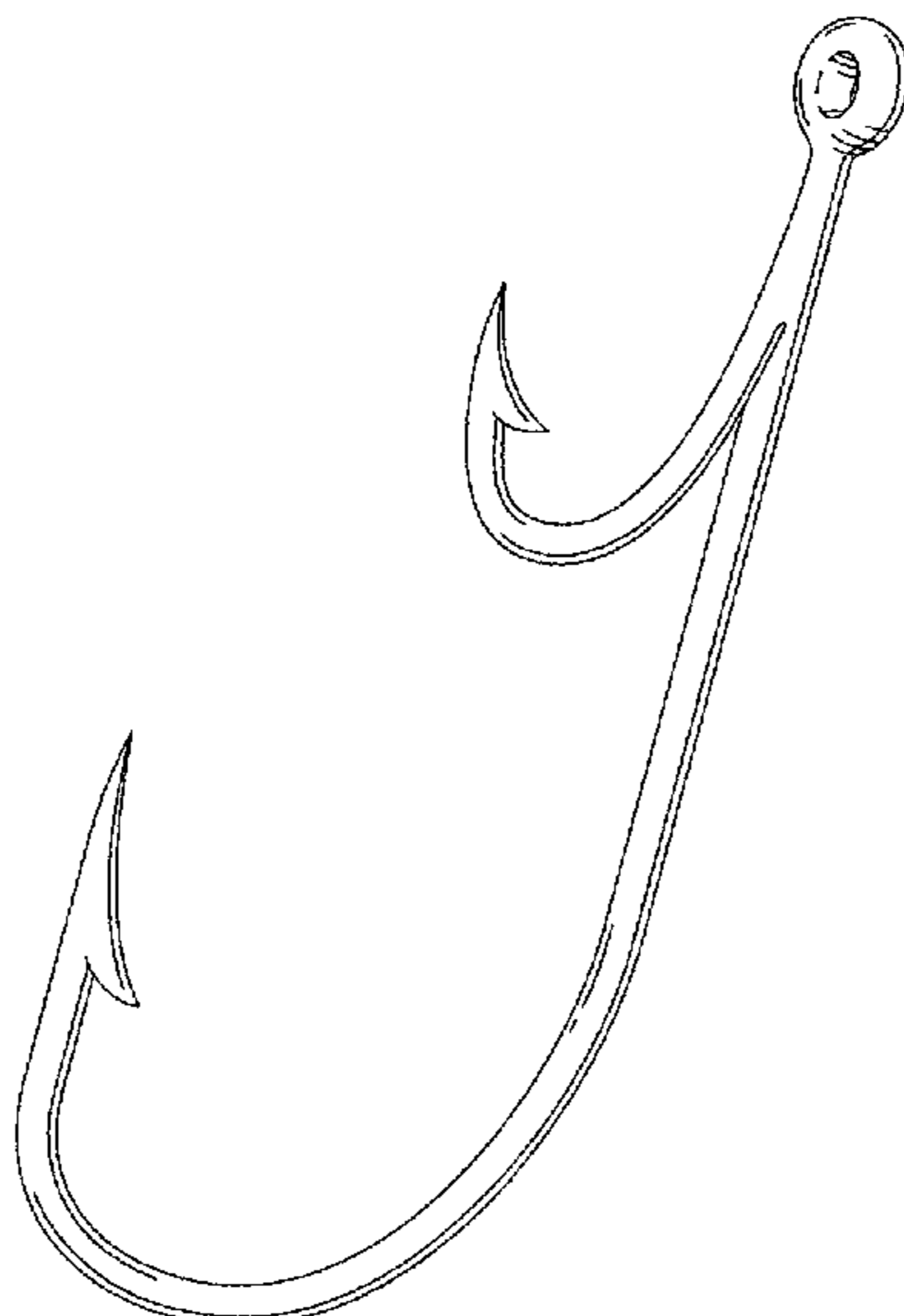
FIG. 16 is a right side view thereof;

FIG. 17 is a top view thereof; and,

FIG. 18 is a bottom view thereof.

Features shown in dashed lines in FIGS. 7-12 are for illustrative purposes only and form no part of the claimed design.

**1 Claim, 3 Drawing Sheets**



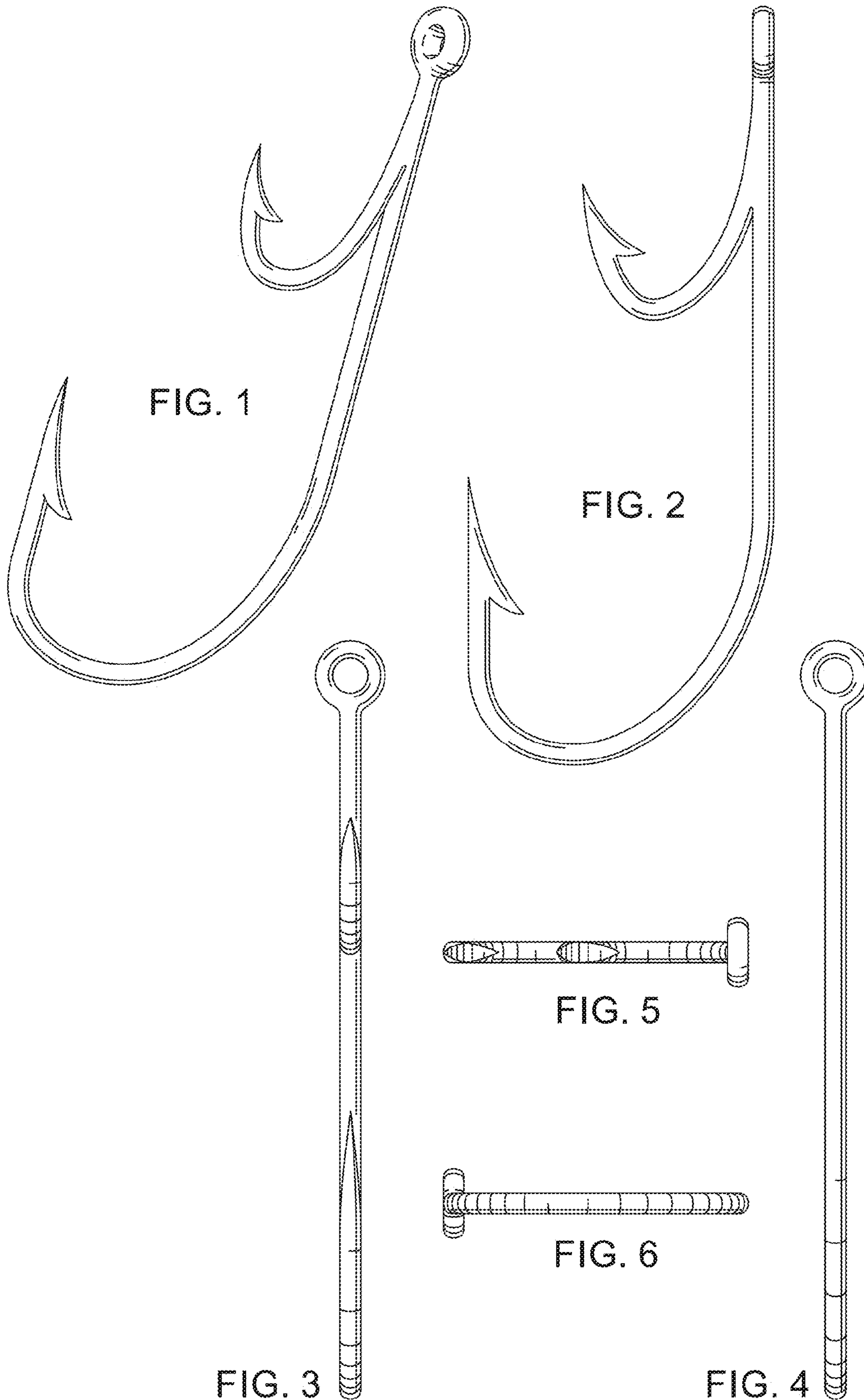
(56)

**References Cited**

U.S. PATENT DOCUMENTS

6,141,900	A	11/2000	Rudolph	
D440,275	S *	4/2001	Rosenberg	..... D22/144
7,424,786	B1	12/2008	Nelson et al.	
D657,842	S *	4/2012	Martin	..... D22/144
D671,617	S *	11/2012	Martin	..... D22/144
1,208,936	A1 *	2/2017	Lukic	..... D14/216
D791,908	S *	7/2017	Durley, Jr.	..... D22/144
2008/0083154	A1	4/2008	Gregory	
2017/0188560	A1	7/2017	Graham	

\* cited by examiner



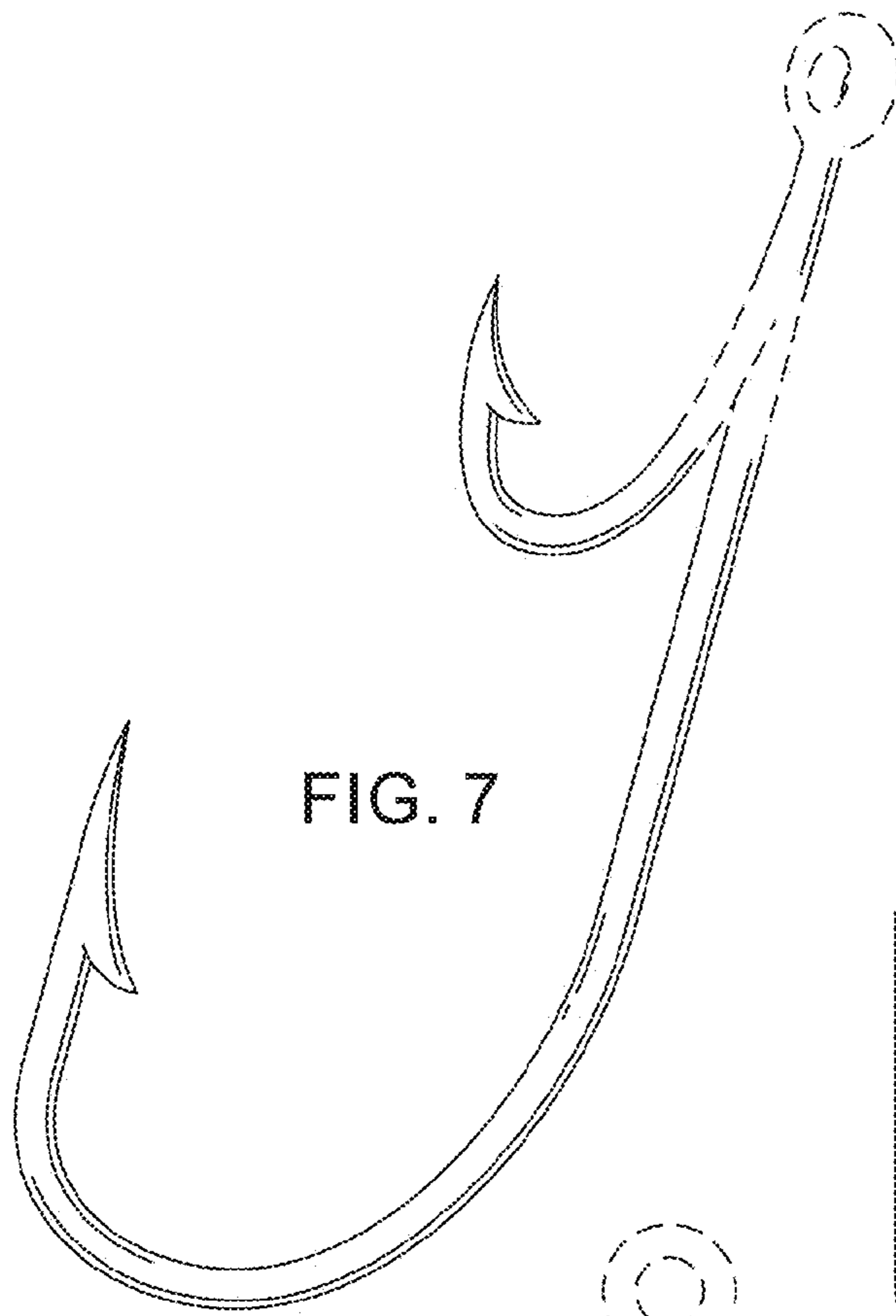


FIG. 7

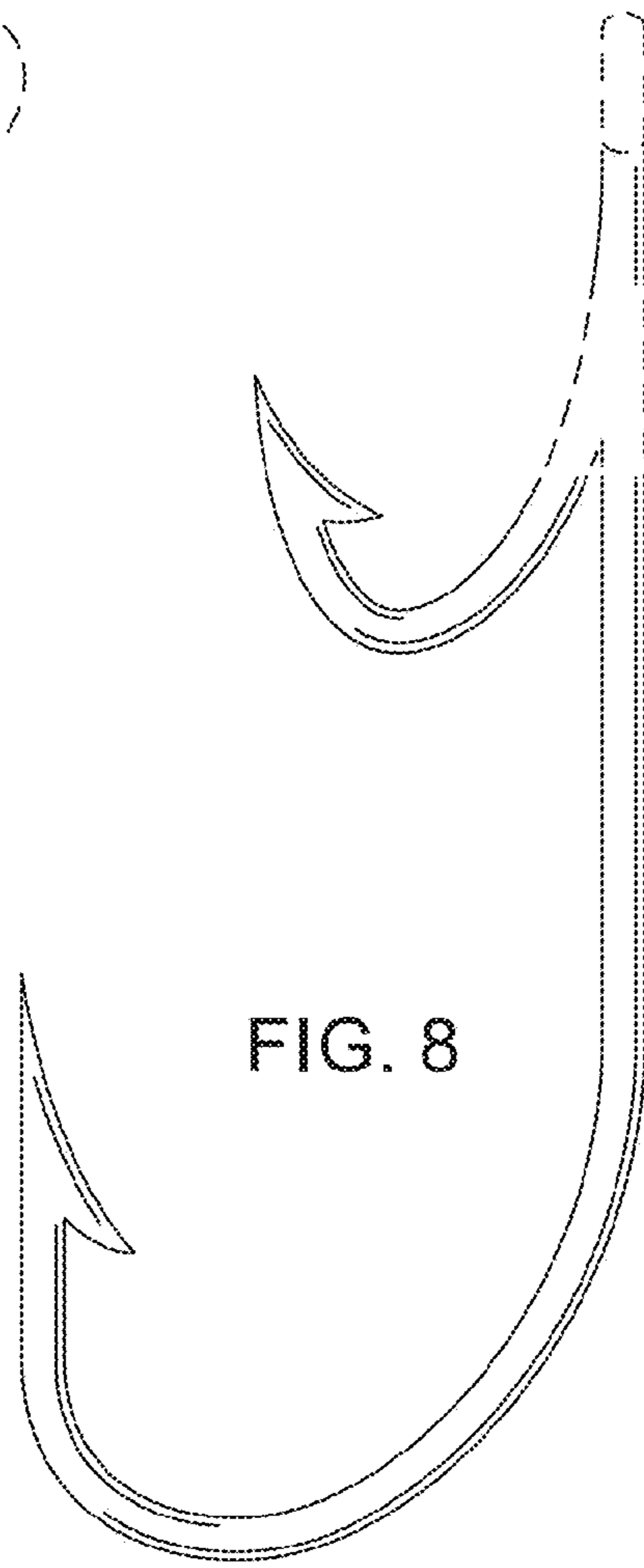


FIG. 8

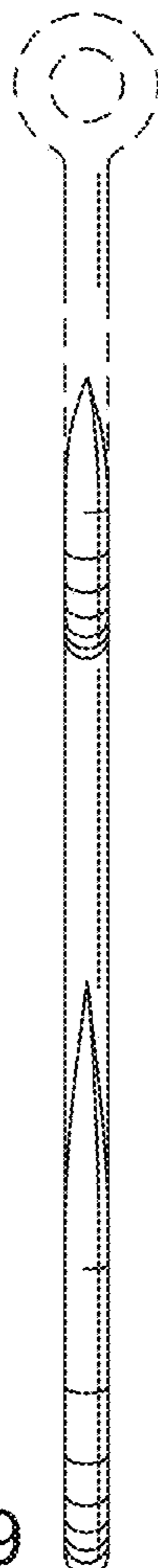


FIG. 9

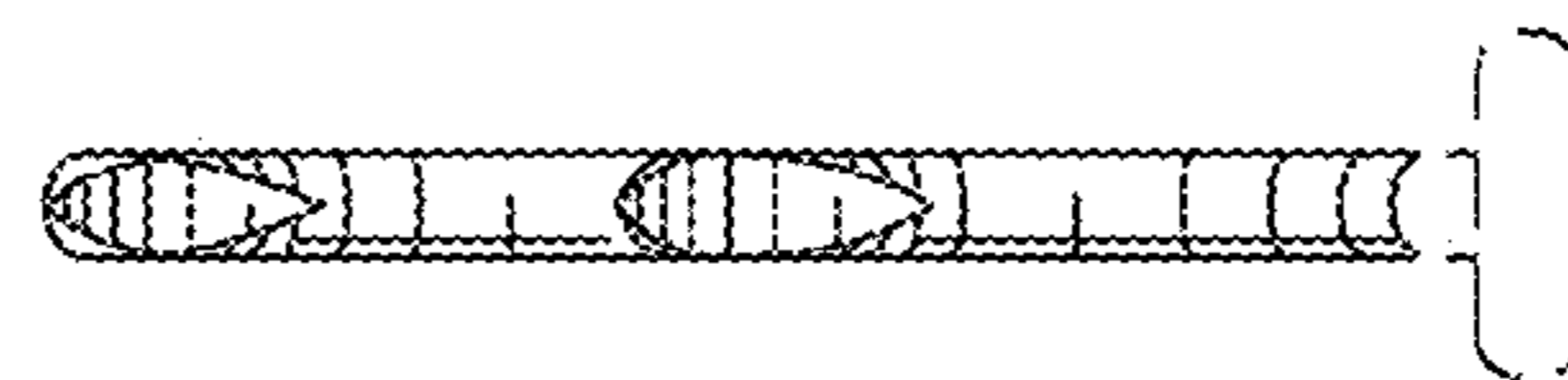


FIG. 11

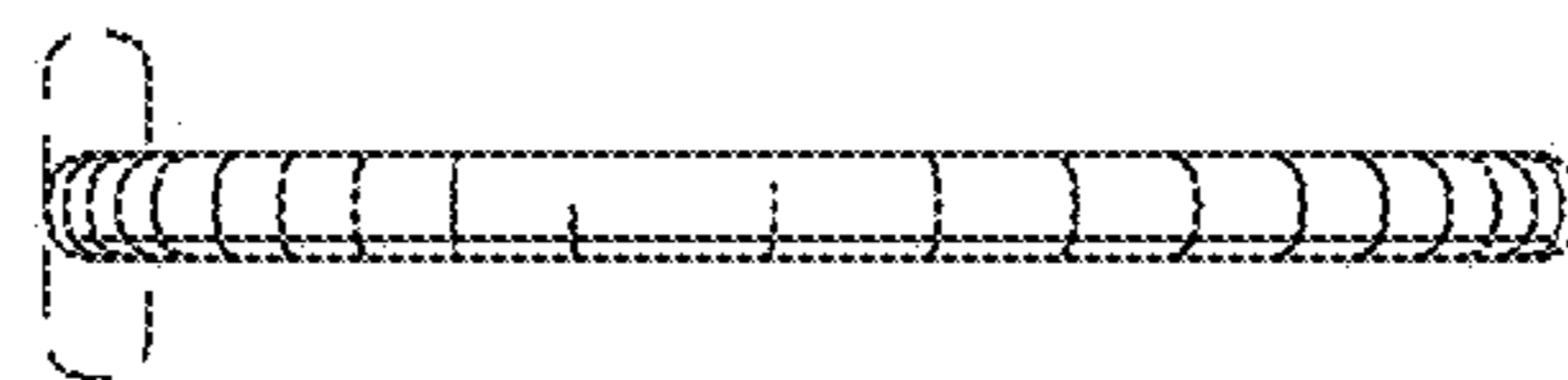


FIG. 12

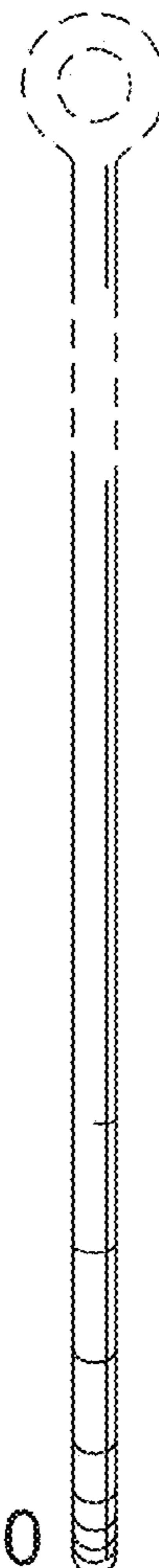


FIG. 10

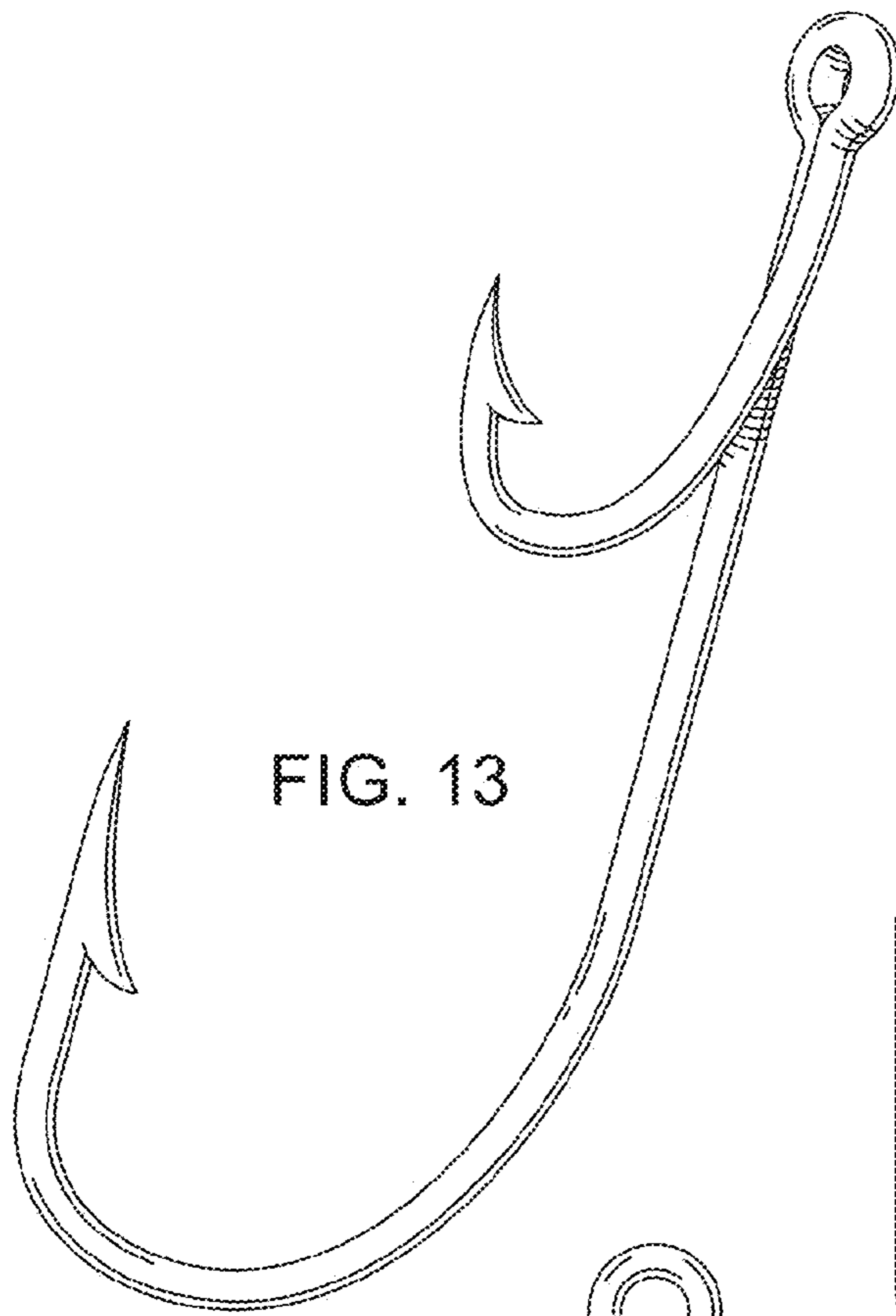


FIG. 13



FIG. 14

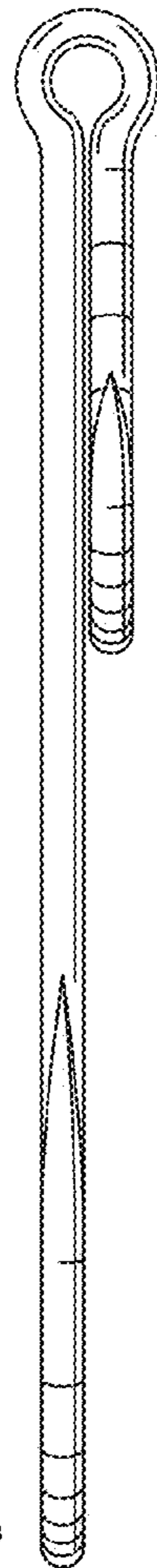


FIG. 15

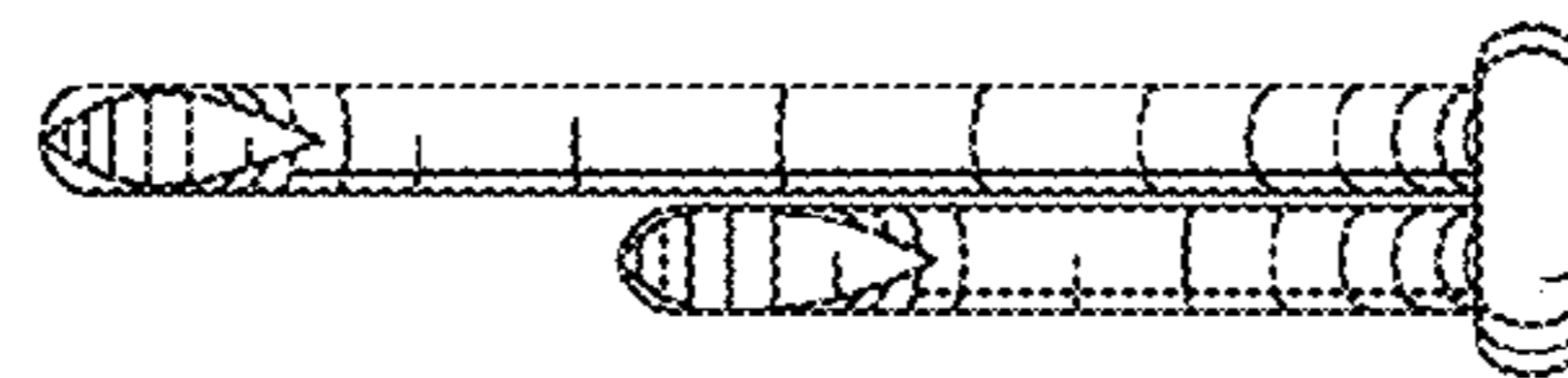


FIG. 17

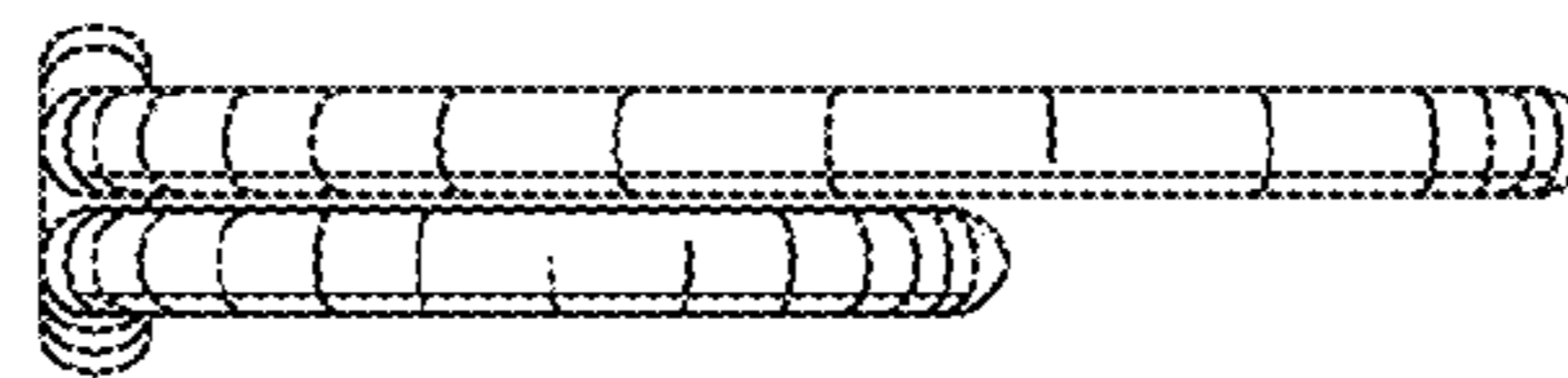


FIG. 18

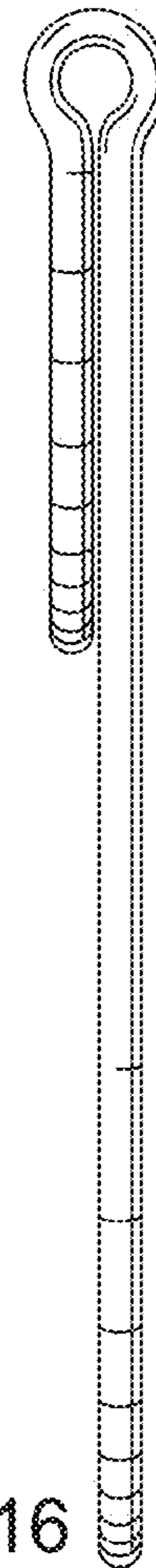


FIG. 16