



US00D870842S

(12) **United States Design Patent** (10) **Patent No.:** **US D870,842 S**
Fitzsimonds et al. (45) **Date of Patent:** **** Dec. 24, 2019**

(54) **RIFLE BULLET**
(71) Applicant: **Vista Outdoor Operations LLC**,
Farmington, UT (US)
(72) Inventors: **Shawn Fitzsimonds**, St. Francis, MN
(US); **Justin A. Carbone**, Anoka, MN
(US); **Jared Kutney**, Cambridge, MN
(US); **Joel J. Foley**, Lewiston, ID (US);
Lawrence P. Head, Cambridge, MN
(US)
(73) Assignee: **Vista Outdoor Operations LLC**,
Anoka, MN (US)

3,881,421 A 5/1975 Burczynski
4,044,685 A 8/1977 Avcin
4,108,074 A 8/1978 Billing, Jr. et al.
4,245,557 A 1/1981 Knappworst et al.
4,655,140 A 4/1987 Schirneker
4,685,397 A 8/1987 Schirneker
5,127,332 A 7/1992 Corzine et al.
5,259,320 A 11/1993 Brooks
5,454,325 A 10/1995 LeBlanc
5,565,649 A 10/1996 Tougeron et al.
6,070,532 A 6/2000 Halverson
6,317,946 B1 11/2001 Beal
6,526,893 B2 3/2003 May et al.
6,546,875 B2 4/2003 Vaughn et al.
6,675,718 B1 1/2004 Parker
7,380,502 B2 6/2008 Emary

(Continued)

(**) Term: **15 Years**
(21) Appl. No.: **29/635,655**
(22) Filed: **Feb. 1, 2018**

Related U.S. Application Data

(63) Continuation of application No. 15/870,769, filed on
Jan. 12, 2018.
(51) **LOC (12) Cl.** **22-16**
(52) **U.S. Cl.**
USPC **D22/116**
(58) **Field of Classification Search**
USPC D22/115-116
CPC F42B 30/02; F42B 14/02; F42B 12/24
See application file for complete search history.

References Cited

U.S. PATENT DOCUMENTS

1,080,974 A 12/1913 Johnson
1,135,357 A 4/1915 Clyne
1,328,334 A 1/1920 Newton
1,493,614 A 5/1924 Dickerman
1,967,416 A 7/1934 Leussler
3,074,344 A 1/1963 Devaux

FOREIGN PATENT DOCUMENTS

GB 190622505 A 5/1907
WO WO 01/18483 3/2001

Primary Examiner — Michael A. Pratt

(74) *Attorney, Agent, or Firm* — Christensen, Fonder,
Dardi & Herbert PLLC

(57) **CLAIM**

The ornamental design for a rifle bullet, as shown and
described.

DESCRIPTION

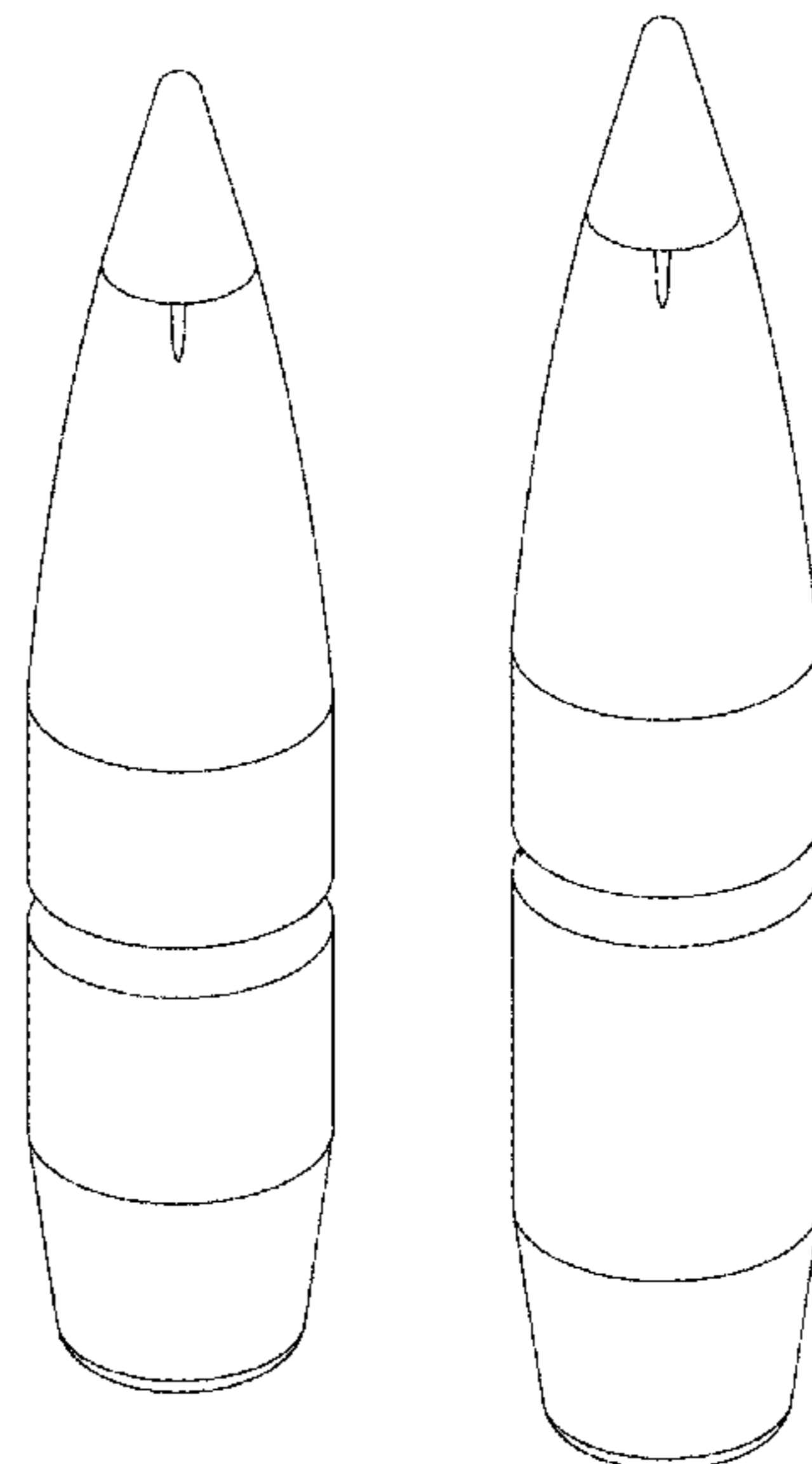
FIG. 1 is a front side view of the rifle bullet, the rear side
view, the right side view, and the left side view being
identical thereto.

FIG. 2 is a front side view of the rifle bullet, the rear side
view, the right side view, and the left side view being
identical thereto.

FIG. 3 is an enlarged partial front side view depicting a
region "3" shown in FIG. 1.

FIG. 4 is a perspective view of the rifle bullet; and,
FIG. 5 is a perspective view of the rifle bullet.

1 Claim, 3 Drawing Sheets



(56)

References Cited

U.S. PATENT DOCUMENTS

7,913,626	B1	3/2011	Reinhardt et al.	
8,186,277	B1	5/2012	King	
8,393,273	B2	3/2013	Weeks et al.	
D855,141	S *	7/2019	Couch	D22/116
2004/0089186	A1	5/2004	Brygdes-Price	
2007/0204758	A1 *	9/2007	Spatz	F42B 12/34 102/514
2011/0252999	A1	10/2011	Carlson et al.	
2012/0216700	A1	8/2012	Dennison	
2016/0327380	A1 *	11/2016	Kunz	F42B 14/02
2016/0356584	A1	12/2016	Monroe et al.	
2017/0115104	A1 *	4/2017	Peterson	F42B 14/02
2018/0364017	A1 *	12/2018	Peterson	F42B 14/02

* cited by examiner

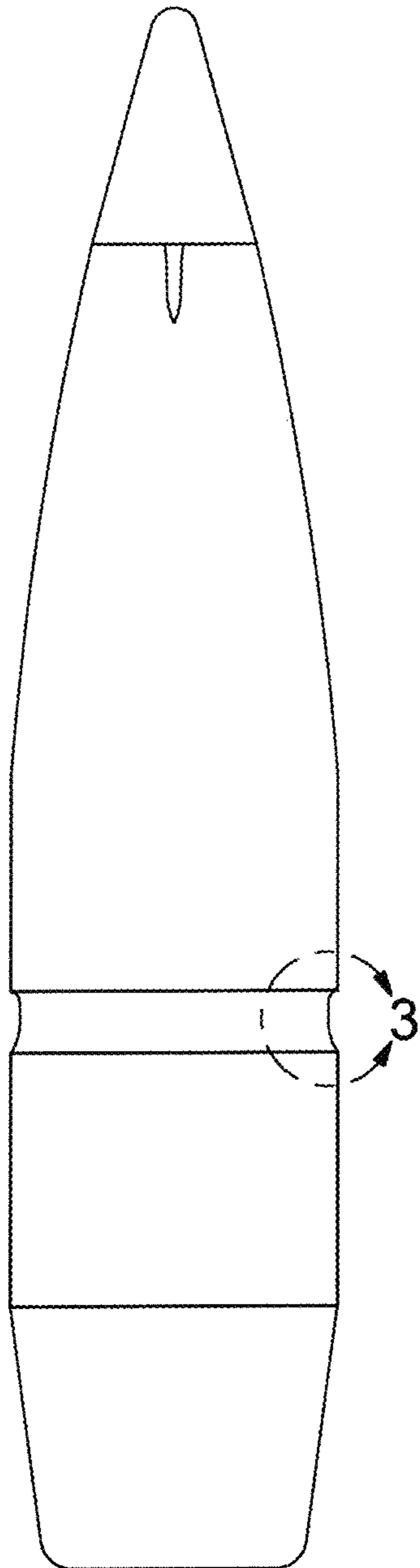


FIG. 1

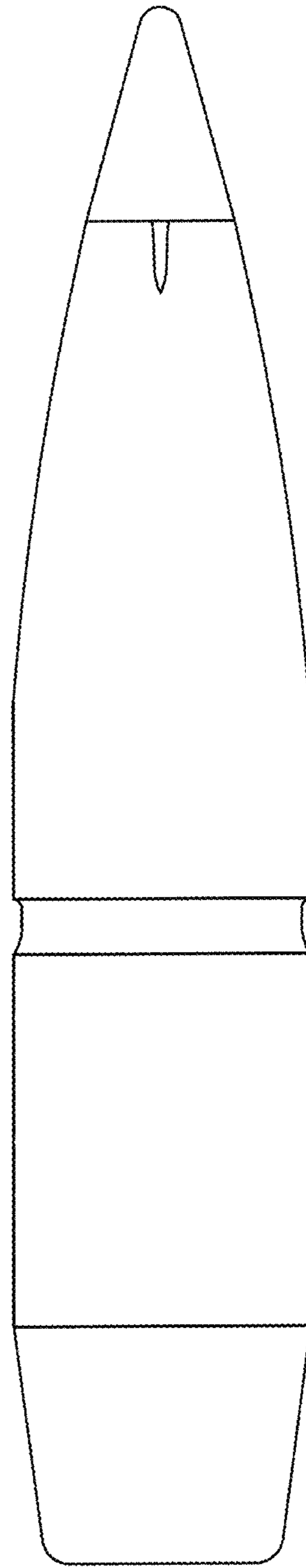


FIG. 2

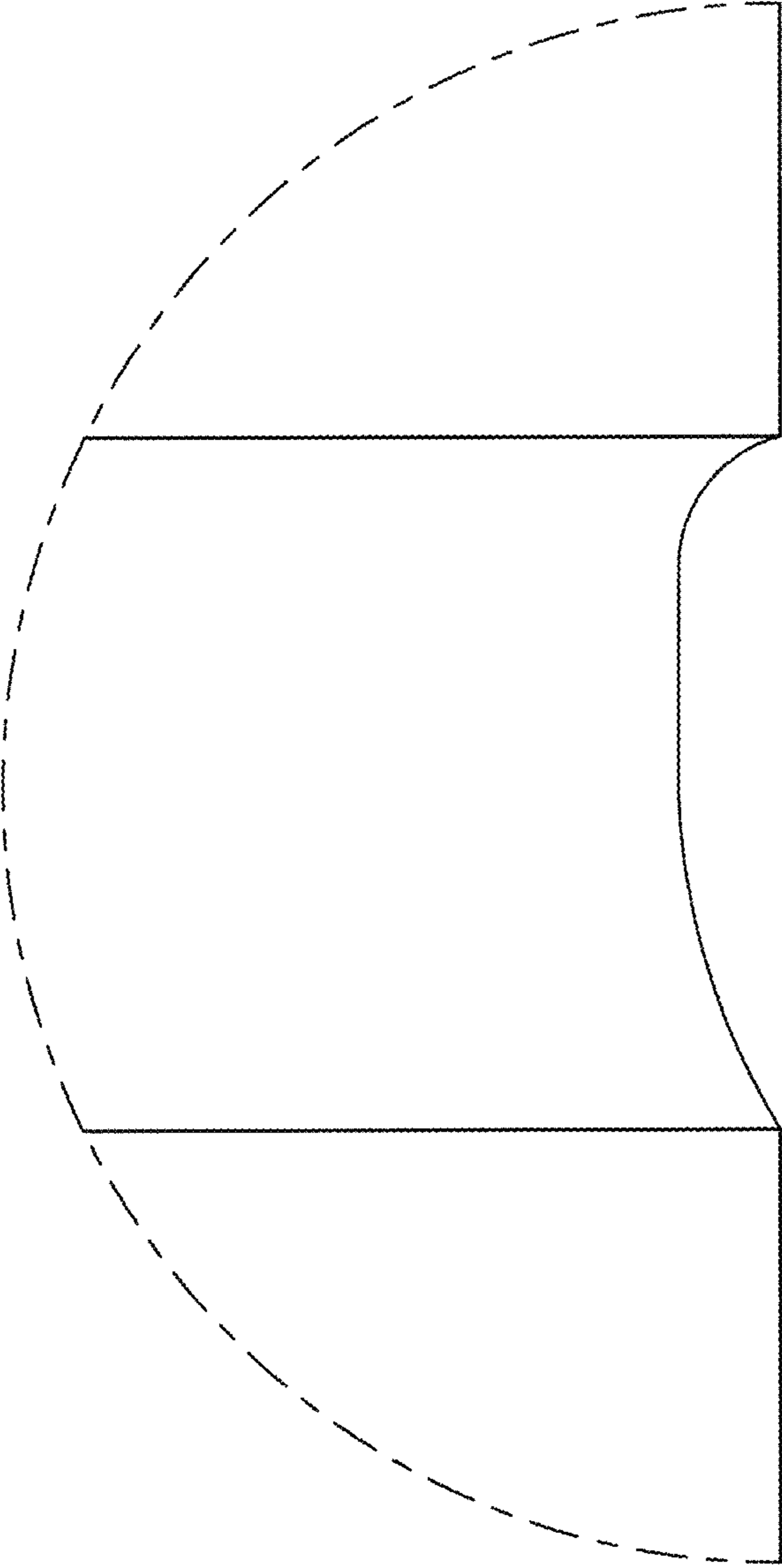


FIG. 3

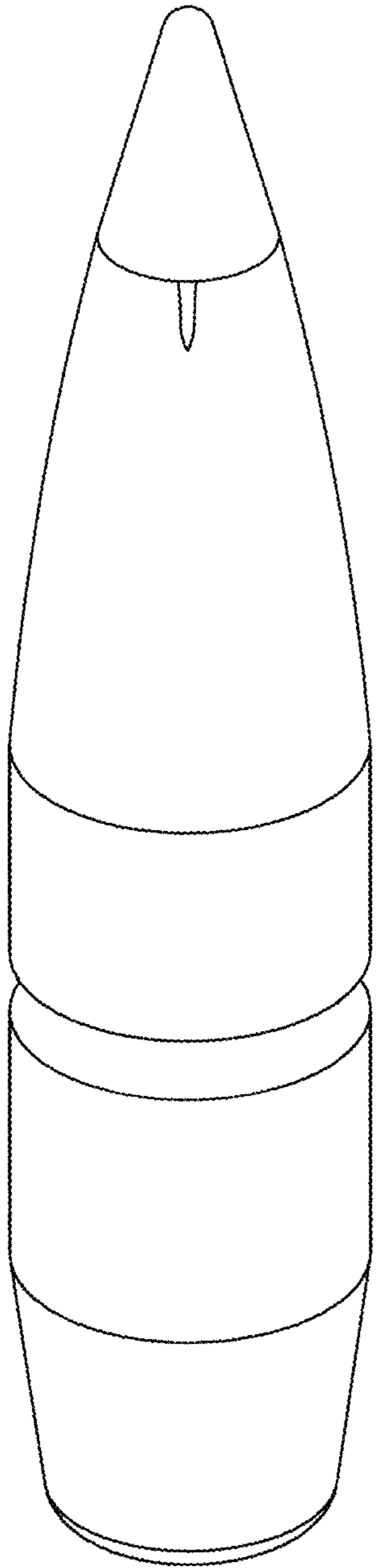


FIG. 4

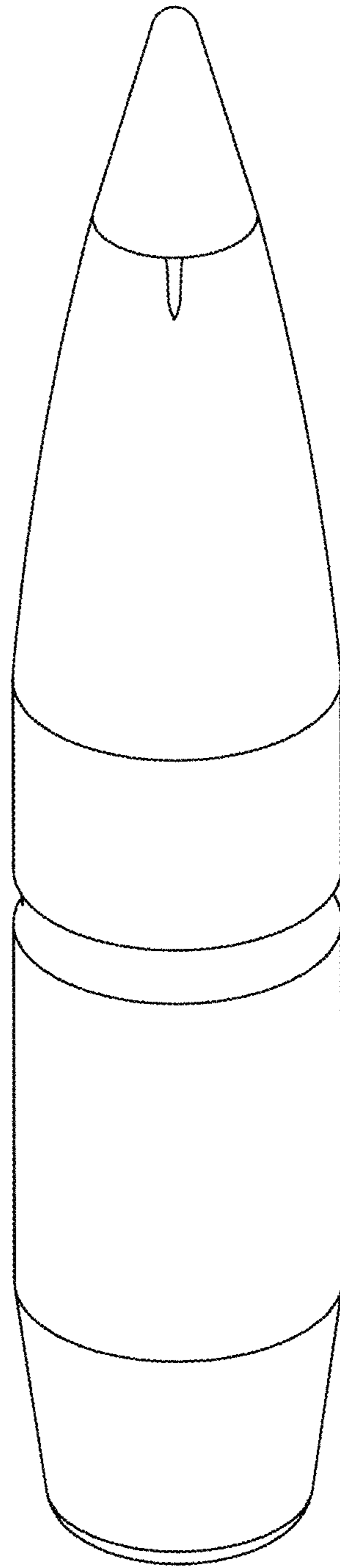


FIG. 5