



US00D870841S

(12) **United States Design Patent** (10) **Patent No.:** **US D870,841 S**
Keng et al. (45) **Date of Patent:** **** Dec. 24, 2019**

(54) **FIREARM REAR SIGHT**
(71) Applicant: **Keng's Firearms Specialty, Inc.**,
Atlanta, GA (US)
(72) Inventors: **Da Keng**, Atlanta, GA (US); **Maciej W. Matuszczak**, Woodstock, GA (US)
(73) Assignee: **Keng's Firearms Specialty, Inc.**,
Atlanta, GA (US)

D560,744 S * 1/2008 Warren D22/108
D619,194 S * 7/2010 Kohler D22/109
D638,902 S * 5/2011 Emde D22/109
D669,554 S * 10/2012 Warren D22/109
D674,858 S * 1/2013 Galli D22/108
D686,294 S * 7/2013 Ziegler D22/108
D716,410 S * 10/2014 Wallgren D22/109
D733,831 S * 7/2015 Dueck D22/109
2007/0240354 A1 * 10/2007 Warren F41G 1/10
42/111

(Continued)

(**) Term: **15 Years**

OTHER PUBLICATIONS

(21) Appl. No.: **29/640,768**
(22) Filed: **Mar. 16, 2018**
(51) **LOC (12) Cl.** **22-01**
(52) **U.S. Cl.**
USPC **D22/109**
(58) **Field of Classification Search**
USPC D22/108, 109, 110; D21/573
CPC . F41G 11/003; F41G 1/00; F41G 1/16; F41G
1/345
See application file for complete search history.

Kensight website, (DFS) 1911 Sights Fixed Rear Combat Sight, Earliest comment date Mar. 7, 2016, [site visited Jun. 20, 2019], Available on the Internet URL <https://stores.kensight.com/kensight-dfs-1911-defense-fixed-rear-sight-white-dot-recessed-blade-novak/#ProductReviews> (Year: 2016).*

Primary Examiner — Karen S Acker
Assistant Examiner — Steven B Reinholdt, Jr.
(74) *Attorney, Agent, or Firm* — Walter A. Rodgers

(56) **References Cited**

(57) **CLAIM**

The ornamental design for a firearm rear sight, as shown and described.

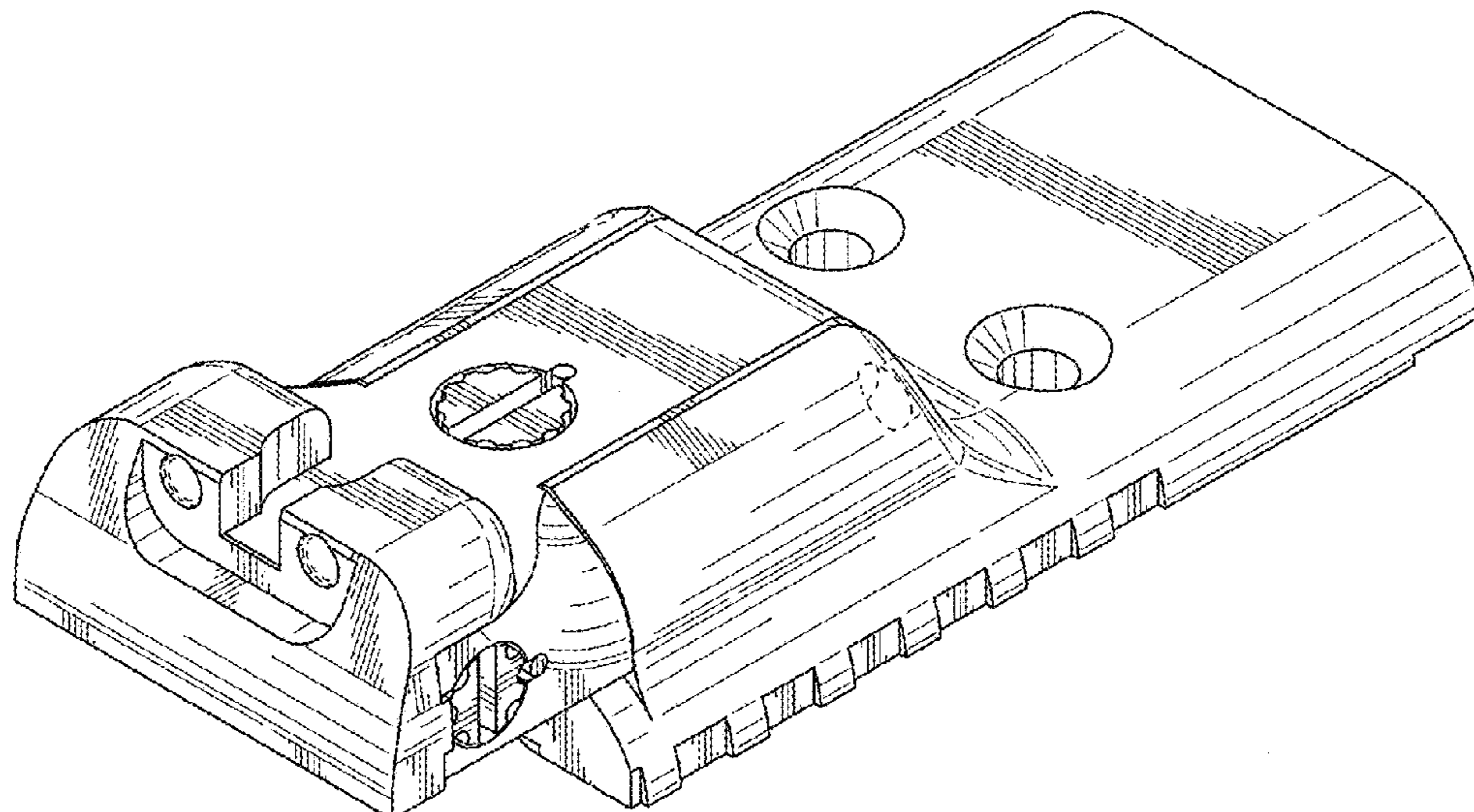
U.S. PATENT DOCUMENTS

DESCRIPTION

4,841,659 A * 6/1989 Williams F41G 1/38
42/119
D305,146 S * 12/1989 Novak D22/109
D305,561 S * 1/1990 Novak D22/109
D351,449 S * 10/1994 Dagley D22/109
5,822,872 A * 10/1998 Waki F41G 1/12
42/111
D447,205 S * 8/2001 Keng D22/100
D447,206 S * 8/2001 Ling, Jr. D22/108
D512,760 S * 12/2005 Warren D22/109
D520,592 S * 5/2006 Warren D22/109
D526,695 S * 8/2006 Warren D22/109
D531,693 S * 11/2006 Warren D22/109
D533,617 S * 12/2006 Warren D22/109
D534,986 S * 1/2007 Warren D22/109

FIG. 1 is a perspective view of a firearm rear sight showing my new design;
FIG. 2 is a left-side elevation view thereof;
FIG. 3 is a front elevation view thereof;
FIG. 4 is a right-side elevation view thereof;
FIG. 5 is a rear elevation view thereof;
FIG. 6 is a top plan view thereof; and,
FIG. 7 is bottom plan view thereof.
The broken lines and the areas within them depict portions of the firearm rear sight that form no part of the claimed design.

1 Claim, 5 Drawing Sheets



(56)

References Cited

U.S. PATENT DOCUMENTS

2011/0314721 A1* 12/2011 Lamb F41G 1/10
42/145
2018/0087871 A1* 3/2018 Toner F41G 1/16

* cited by examiner

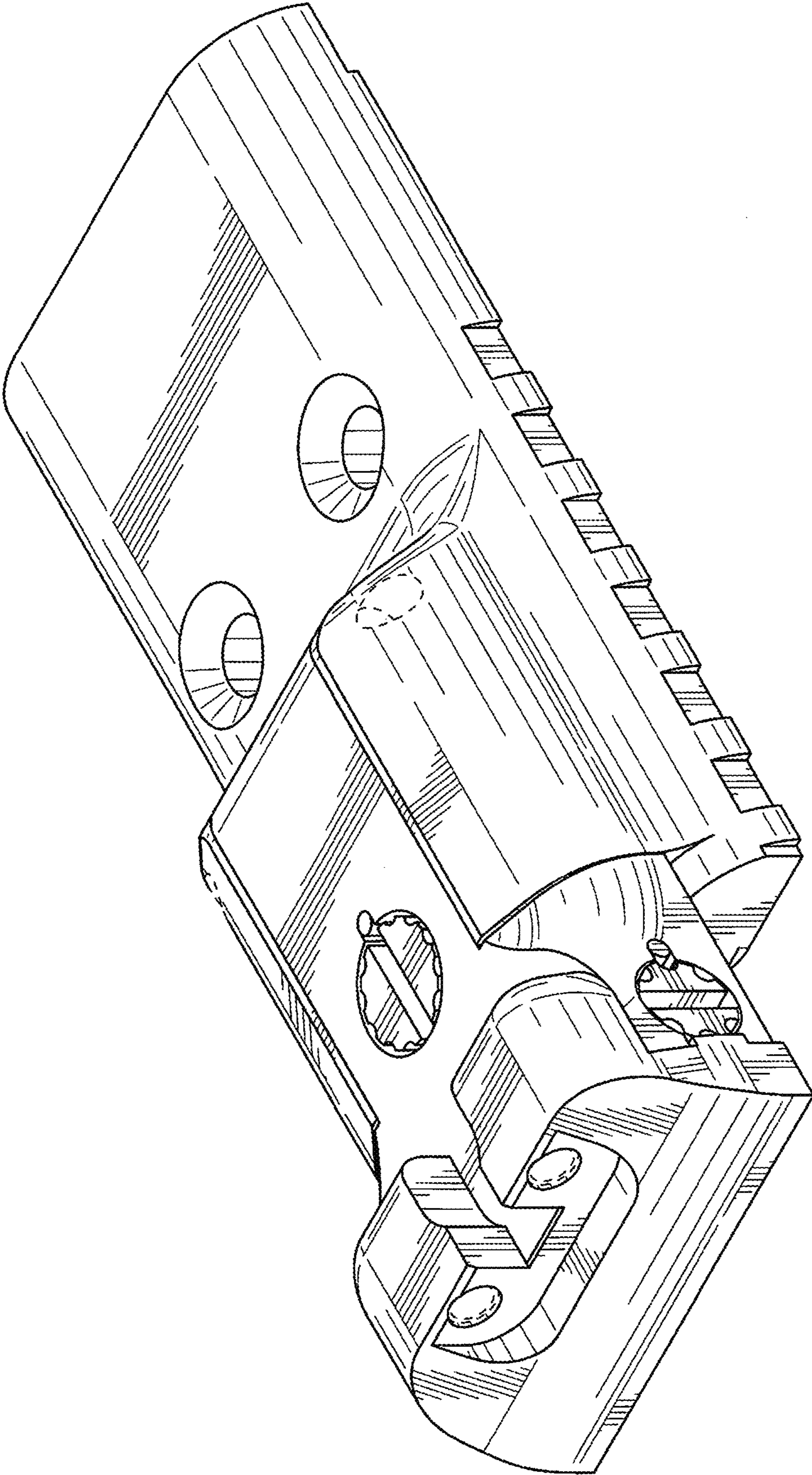


FIG. 1

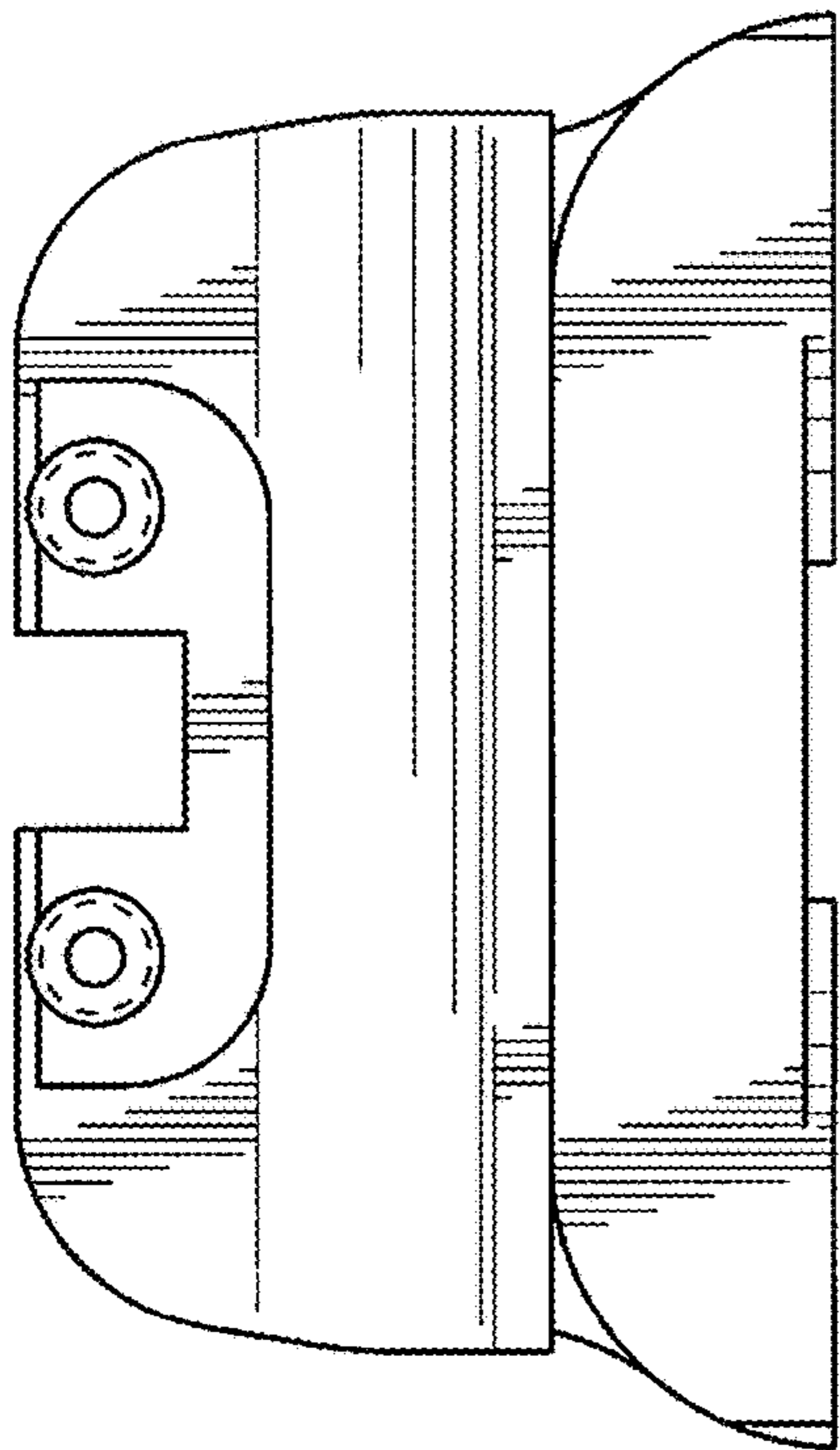


FIG. 2

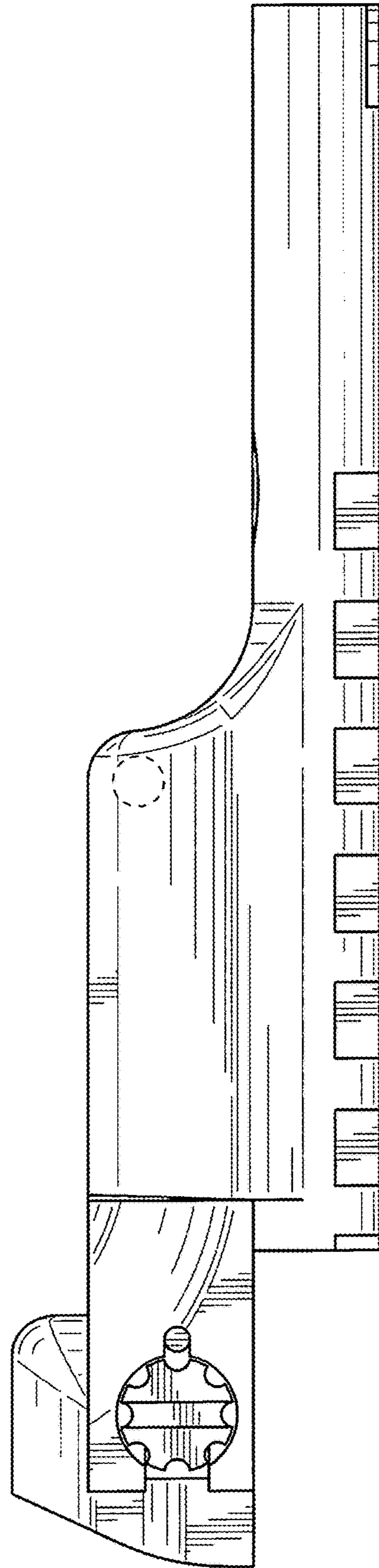


FIG. 3

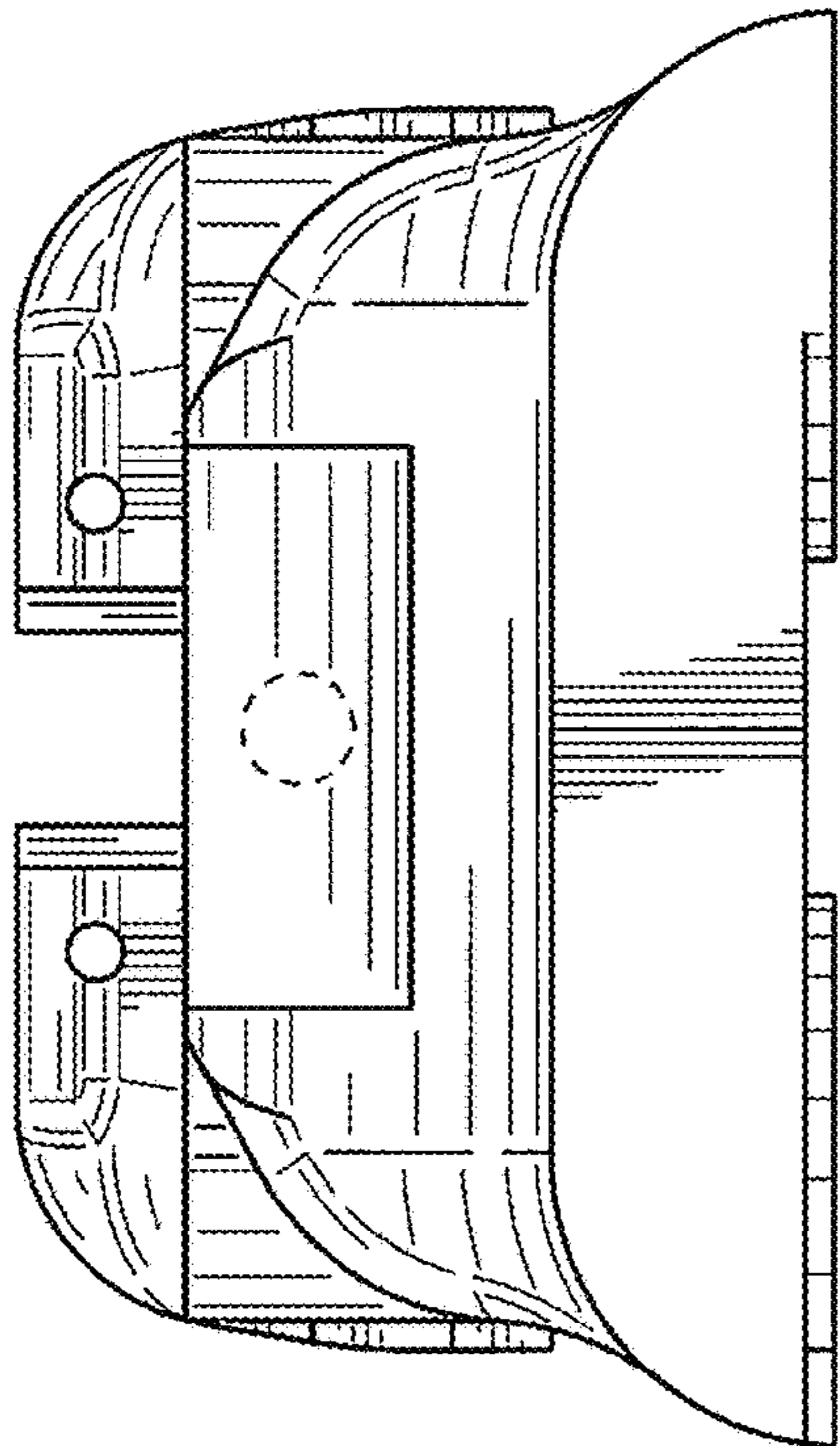


FIG. 4

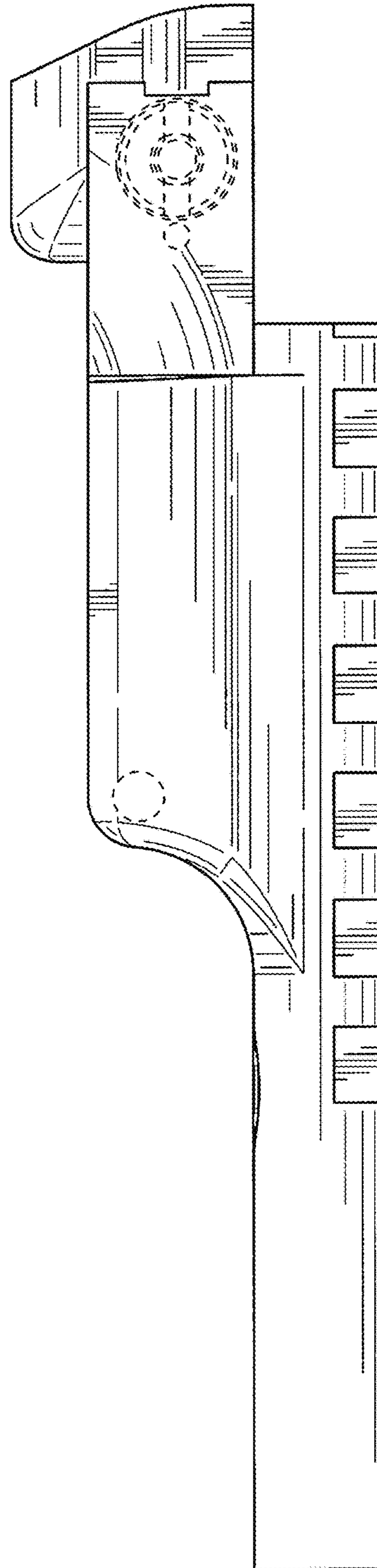


FIG. 5

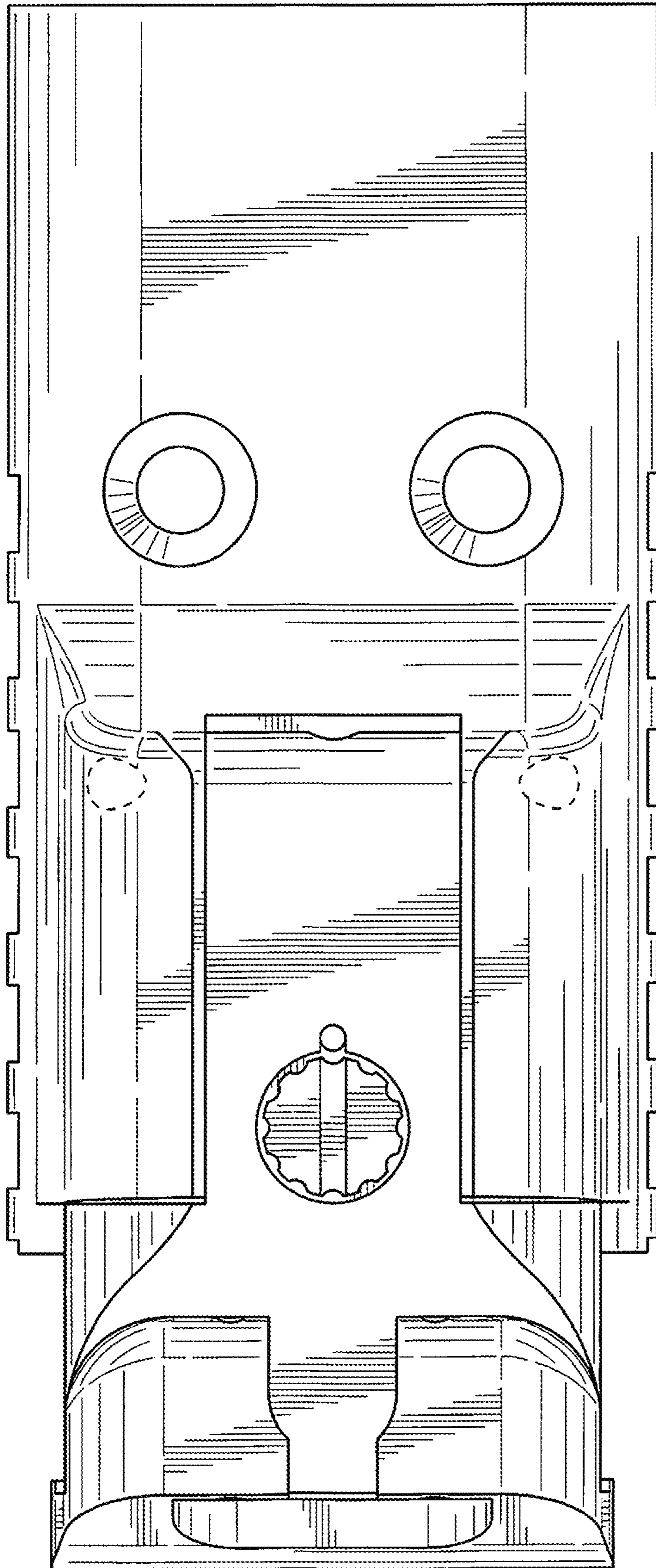


FIG. 6

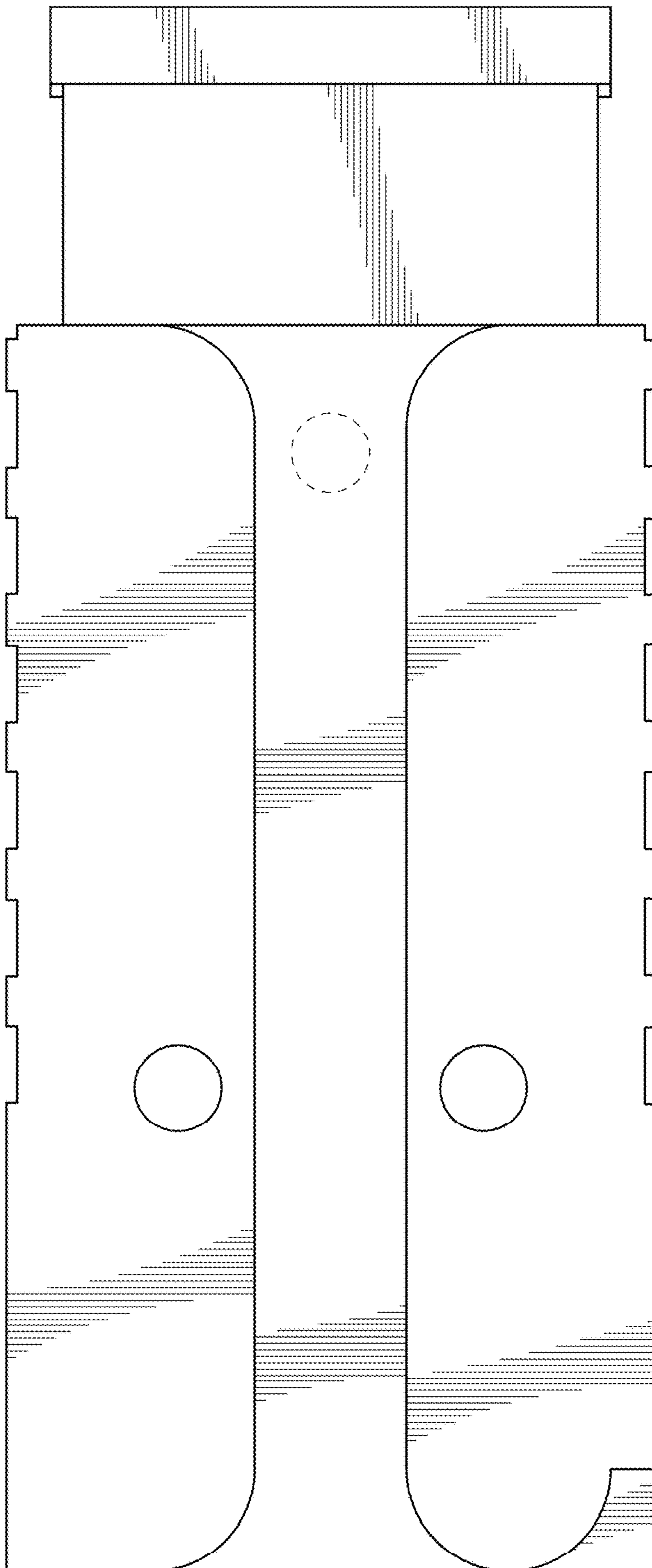


FIG. 7