



US00D870840S

(12) **United States Design Patent**
Cheng et al.

(10) **Patent No.:** **US D870,840 S**
(45) **Date of Patent:** **** Dec. 24, 2019**

(54) **AR UPPER RECEIVER TOOL**

(71) Applicants: **Carson Cheng**, City of Industry, CA (US); **Michael Cheng**, City of Industry, CA (US); **Richard Thomas**, City of Industry, CA (US)

(72) Inventors: **Carson Cheng**, City of Industry, CA (US); **Michael Cheng**, City of Industry, CA (US); **Richard Thomas**, City of Industry, CA (US)

(73) Assignee: **NcSTAR Inc.**, City of Industry, CA (US)

(**) Term: **15 Years**

(21) Appl. No.: **29/635,162**

(22) Filed: **Jan. 29, 2018**

(51) **LOC (12) Cl.** **22-01**

(52) **U.S. Cl.**
USPC **D22/108**

(58) **Field of Classification Search**
USPC D22/108-111, 199; D21/571-575
CPC F41C 27/00; F41C 27/22; F41A 29/02; F41A 31/02

See application file for complete search history.

(56) **References Cited**

U.S. PATENT DOCUMENTS

- 4,468,829 A * 9/1984 Christensen A47L 25/00
15/104.001
- D440,842 S * 4/2001 Vandergaw D8/39
- D661,767 S * 6/2012 Siddle F41A 21/00
D22/103
- 8,356,441 B2 * 1/2013 Meinel F41A 9/83
42/87
- 8,393,104 B1 * 3/2013 Moody F41C 23/14
42/71.01
- D768,254 S * 10/2016 Geissele D22/108
- 9,528,787 B1 * 12/2016 Ashley F41A 3/72

- D823,420 S * 7/2018 Fischer D22/108
- 10,337,827 B1 * 7/2019 Holmes F41A 29/00
- D862,630 S * 10/2019 Solar D22/108
- D863,006 S * 10/2019 Buie, II D8/25
- 2011/0072705 A1 * 3/2011 Simpkins B25F 1/04
42/59
- 2011/0076095 A1 * 3/2011 Storch F41C 27/00
403/322.4
- 2015/0121742 A1 * 5/2015 Wilkinson F41A 11/00
42/108
- 2016/0010941 A1 * 1/2016 Calbi F41A 29/02
42/95

(Continued)

OTHER PUBLICATIONS

NcStar, Vism Upper Receiver Vise Block, posted at YouTube, posting date Aug. 3, 2018, site visited Sep. 26, 2019. URL: <<https://www.youtube.com/watch?v=WZqTVjquYYY>> (Year: 2018).*

(Continued)

Primary Examiner — Kevin K Rudzinski

Assistant Examiner — Kathleen L Jones

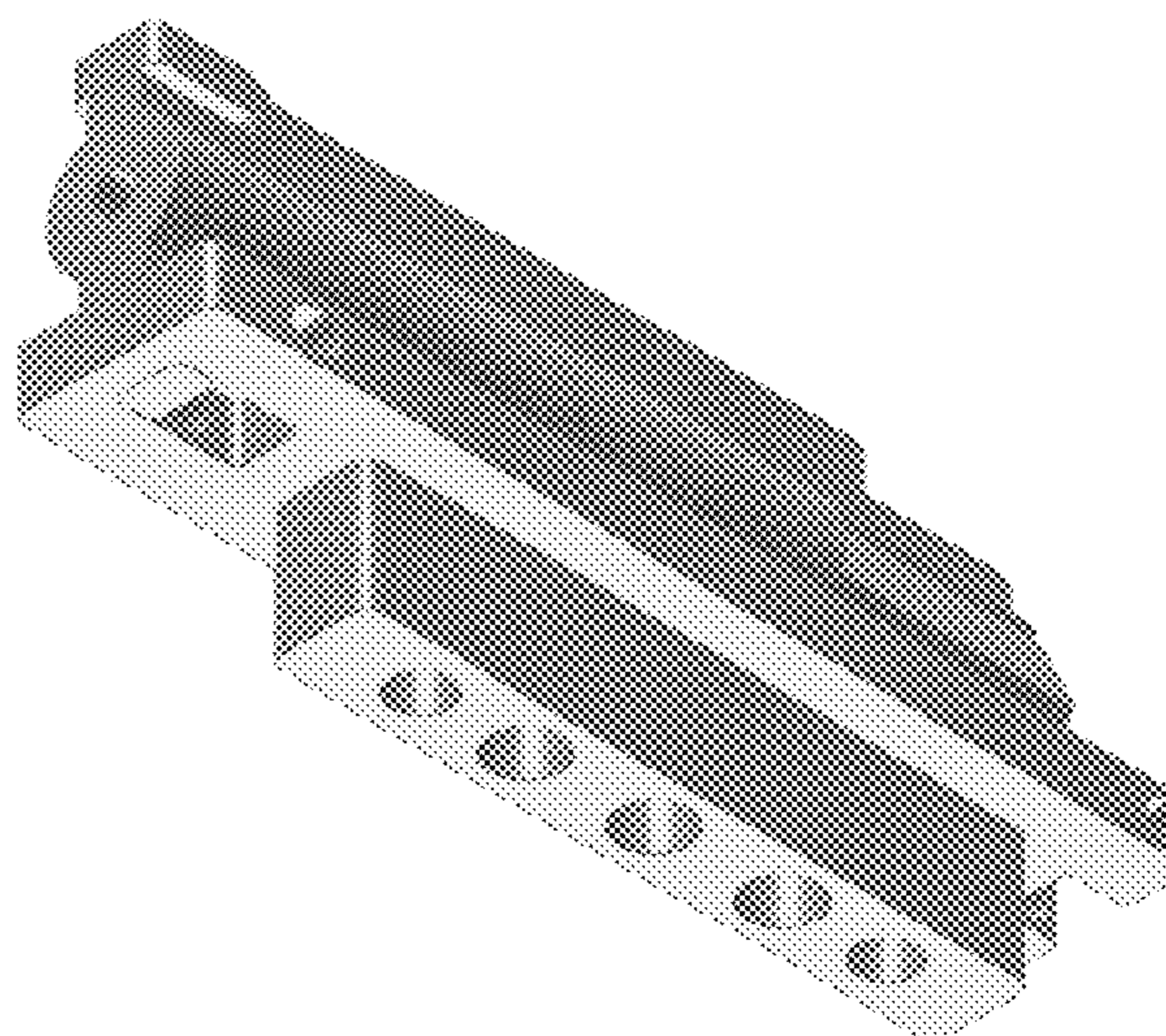
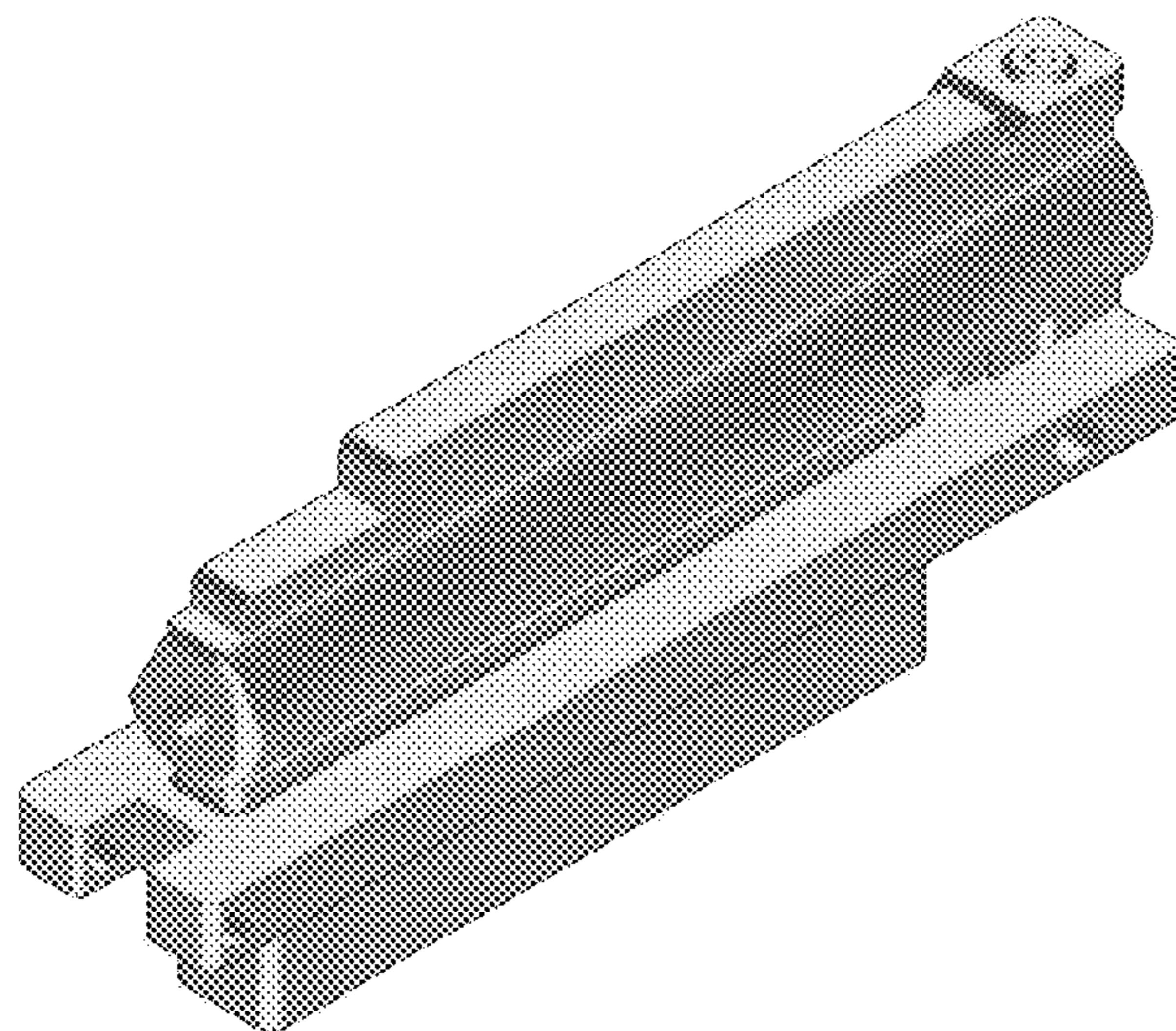
(57) **CLAIM**

The ornamental design for an AR upper receiver tool, as shown and described.

DESCRIPTION

FIG. 1 is a front view of a AR upper receiver tool showing our new design;
FIG. 2 is a rear view thereof;
FIG. 3 is a left view thereof;
FIG. 4 is a right view thereof;
FIG. 5 is a top view thereof;
FIG. 6 is a bottom view thereof;
FIG. 7 is at top front perspective view thereof;
FIG. 8 is a top rear perspective view thereof;
FIG. 9 is a bottom front perspective view thereof; and,
FIG. 10 is a bottom rear perspective view thereof.

1 Claim, 7 Drawing Sheets



(56)

References Cited

U.S. PATENT DOCUMENTS

2019/0017762 A1* 1/2019 Fischer F41A 9/72
2019/0086183 A1* 3/2019 Christy F41A 35/00

OTHER PUBLICATIONS

Which upper vise block to you use, posted at AR15, comment posted Mar. 13, 2012, site visited Sep. 26, 2019. URL: <https://www.ar15.com/forums/ar-15/Which_Upper_vice_block_to_use_/4-567054/> (Year: 2012).*

223 AR15 Upper & Lower Vise Block Combo, posted at PlastiXrevolution, posting date Jun. 22, 2014. Site visited Sep. 26, 2019. URL: <<https://www.plastixrevolution.net/products/blk-pin-upper-lower-vise-block-combo>> (Year: 2014).*

Essential Gunsmithing Tools, posted at Pew Pew Tactical, posting date Feb. 21, 2016. Site visited Sep. 26, 2019. URL: <<https://www.pewpewtactical.com/essential-gunsmithing-tools/>> (Year: 2016).*

* cited by examiner

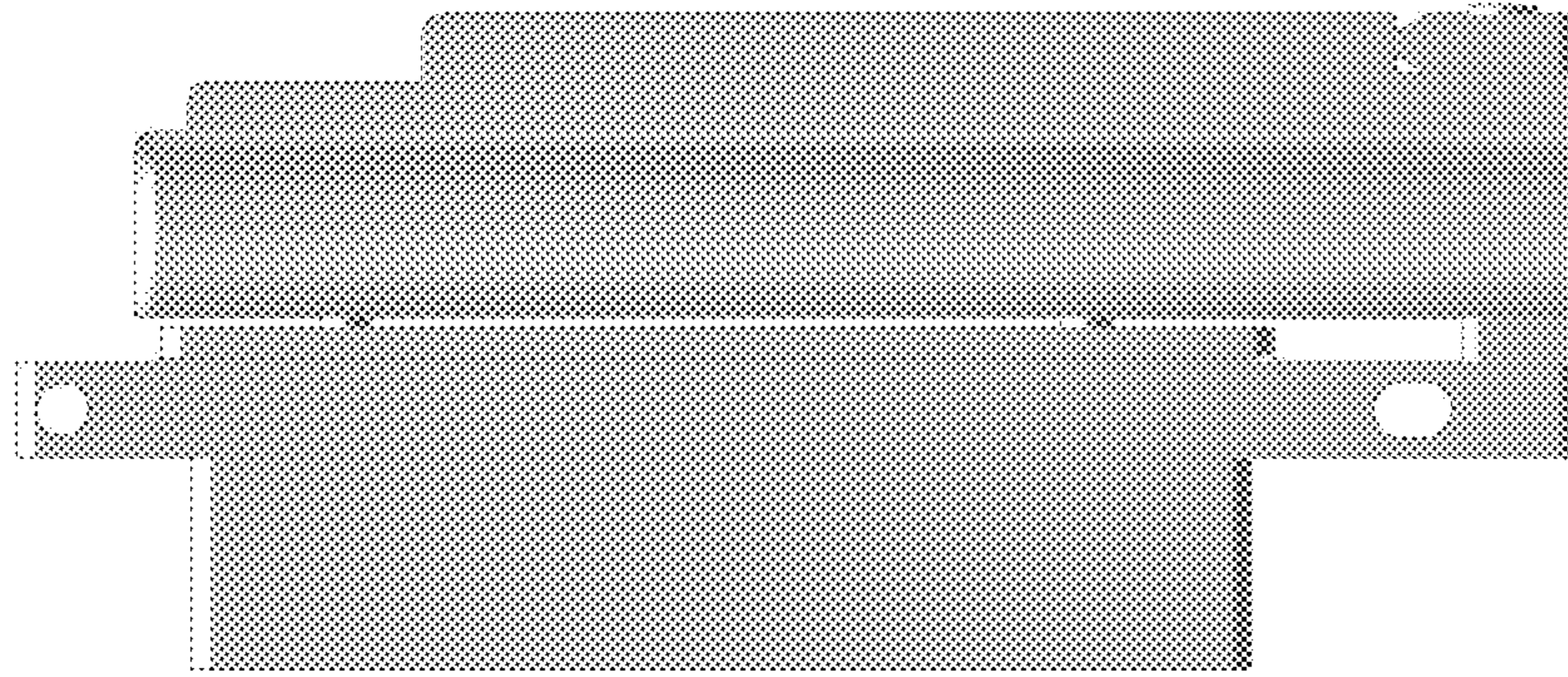


FIG. 1

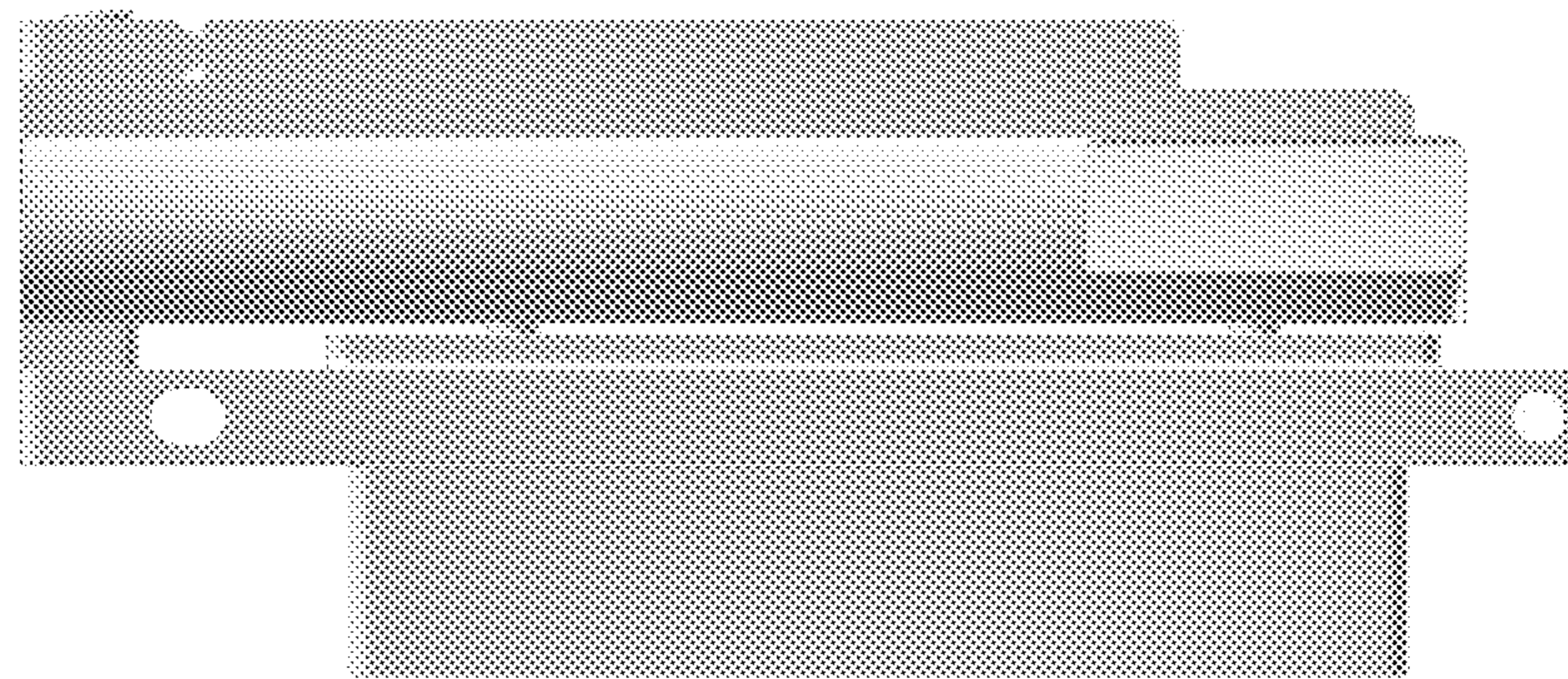


FIG. 2

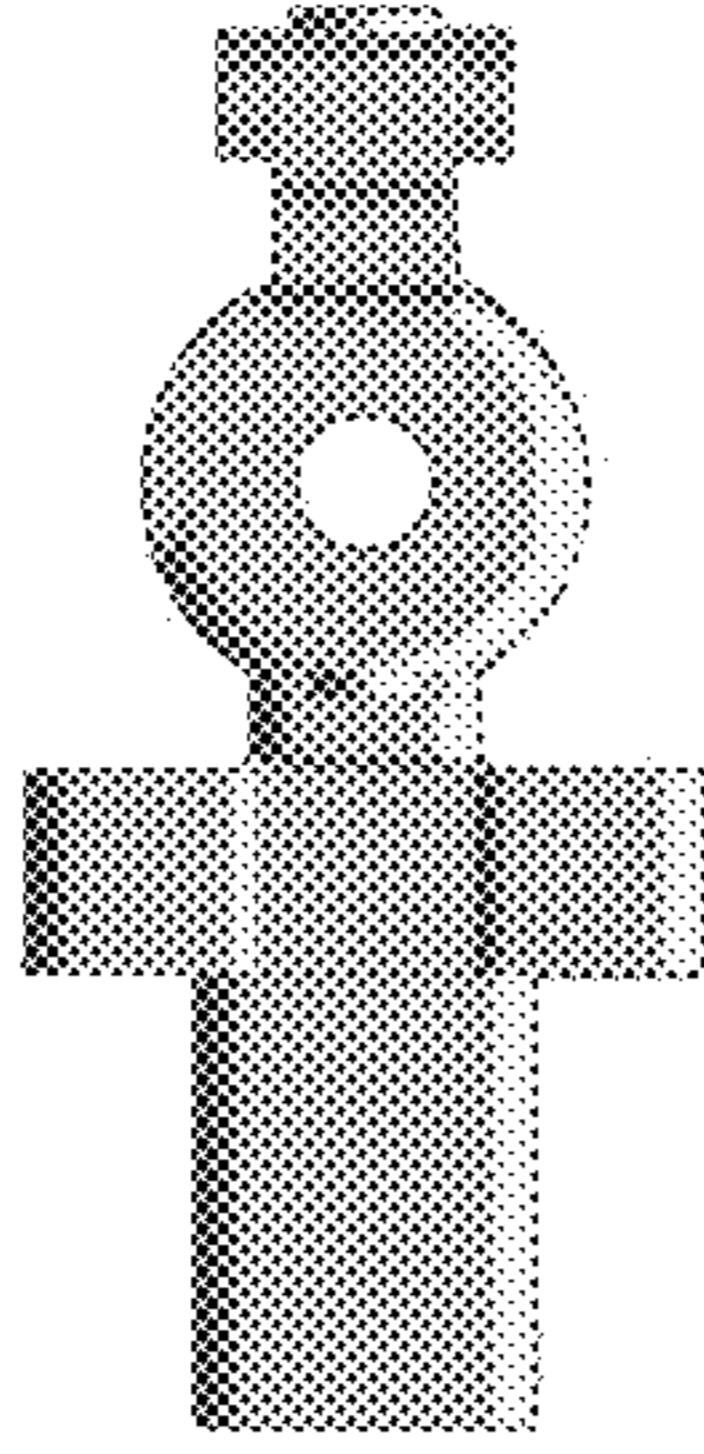


FIG. 3

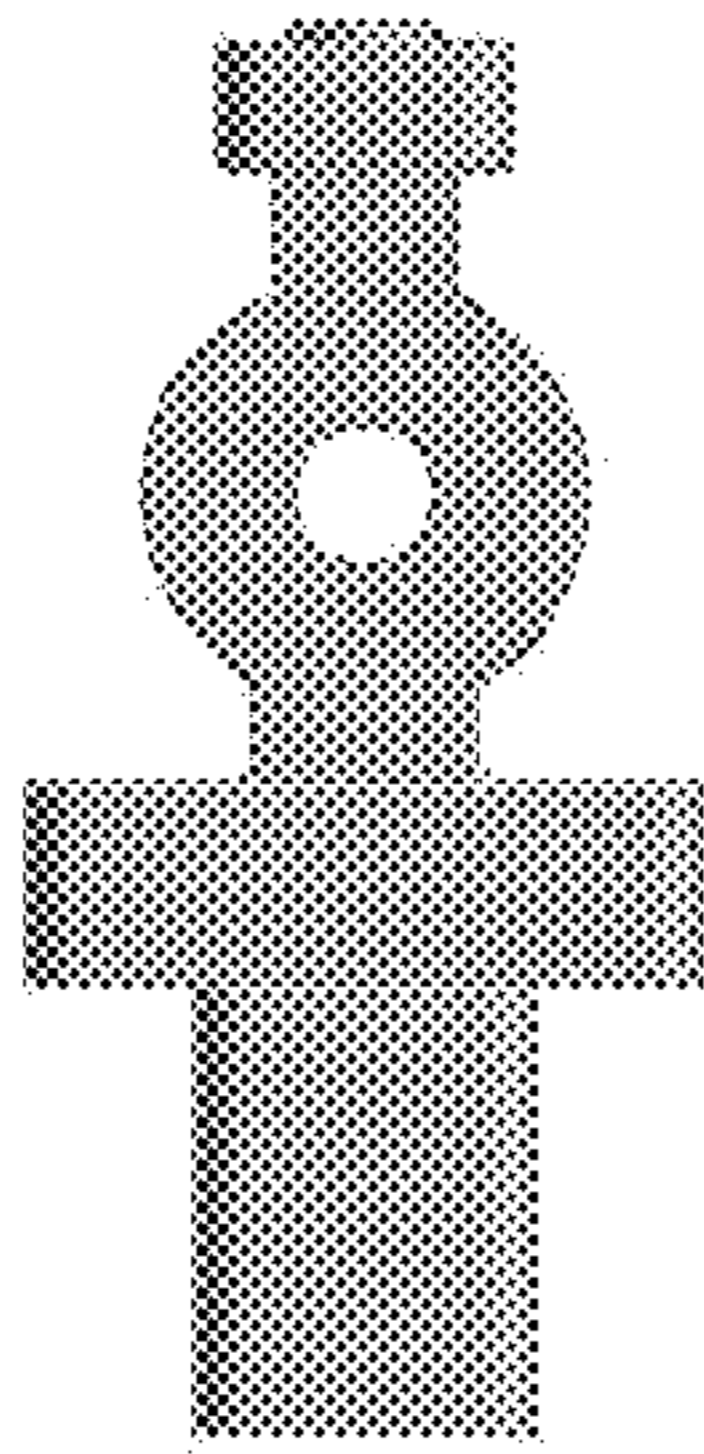


FIG. 4

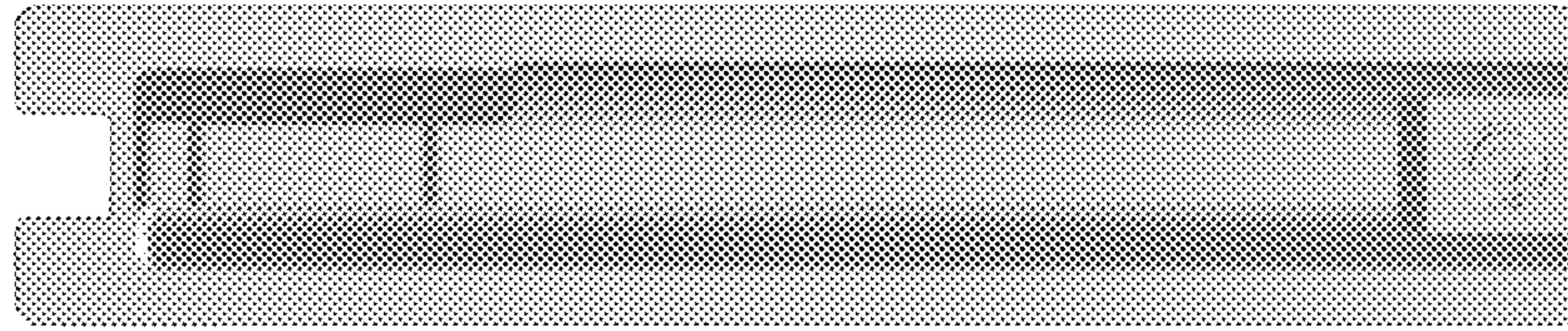


FIG. 5

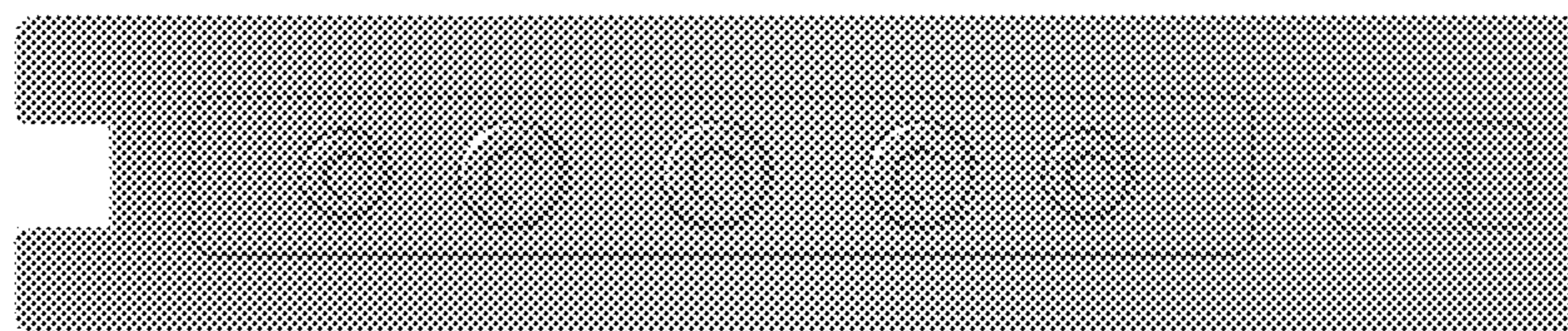


FIG. 6

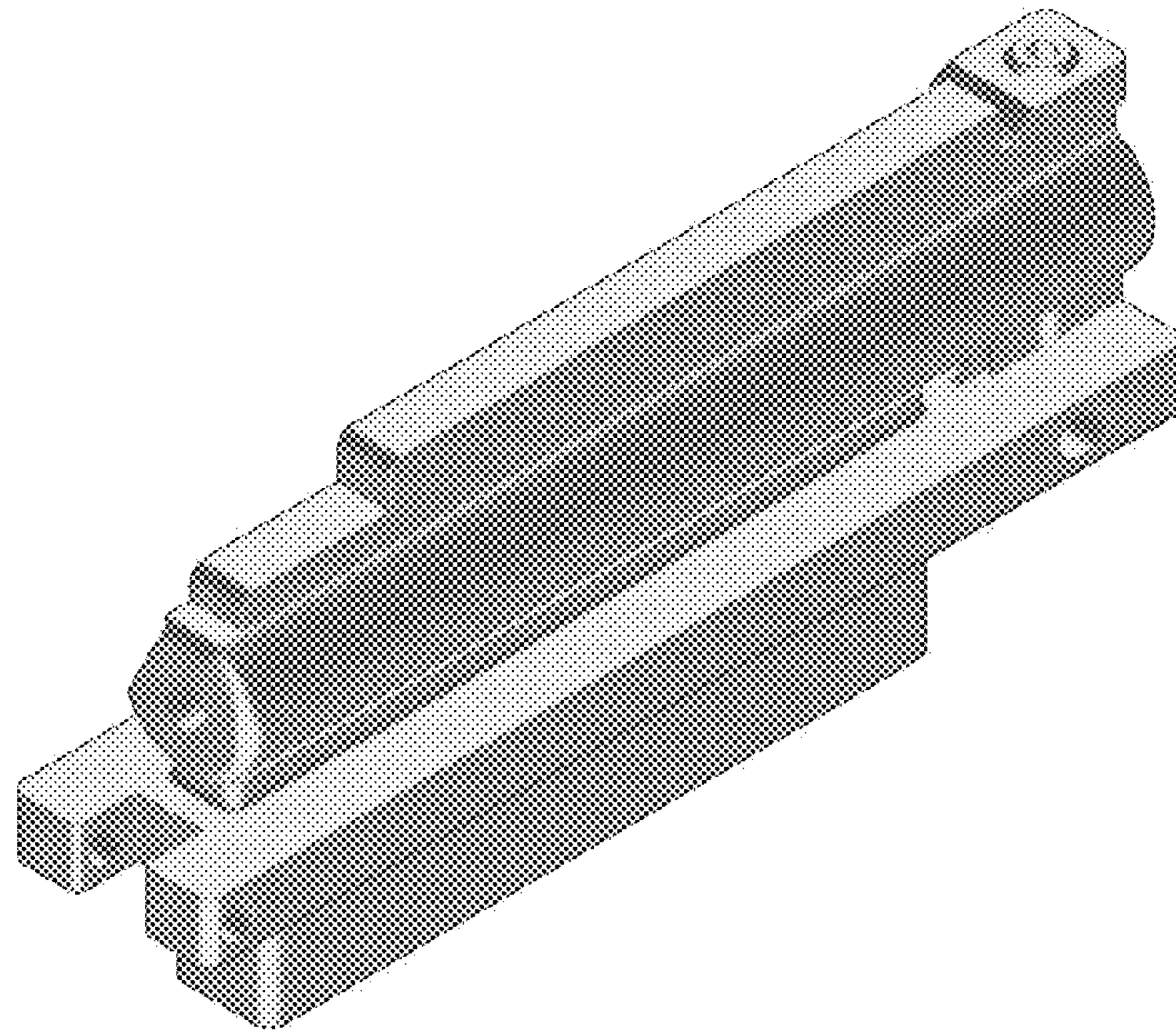


FIG. 7

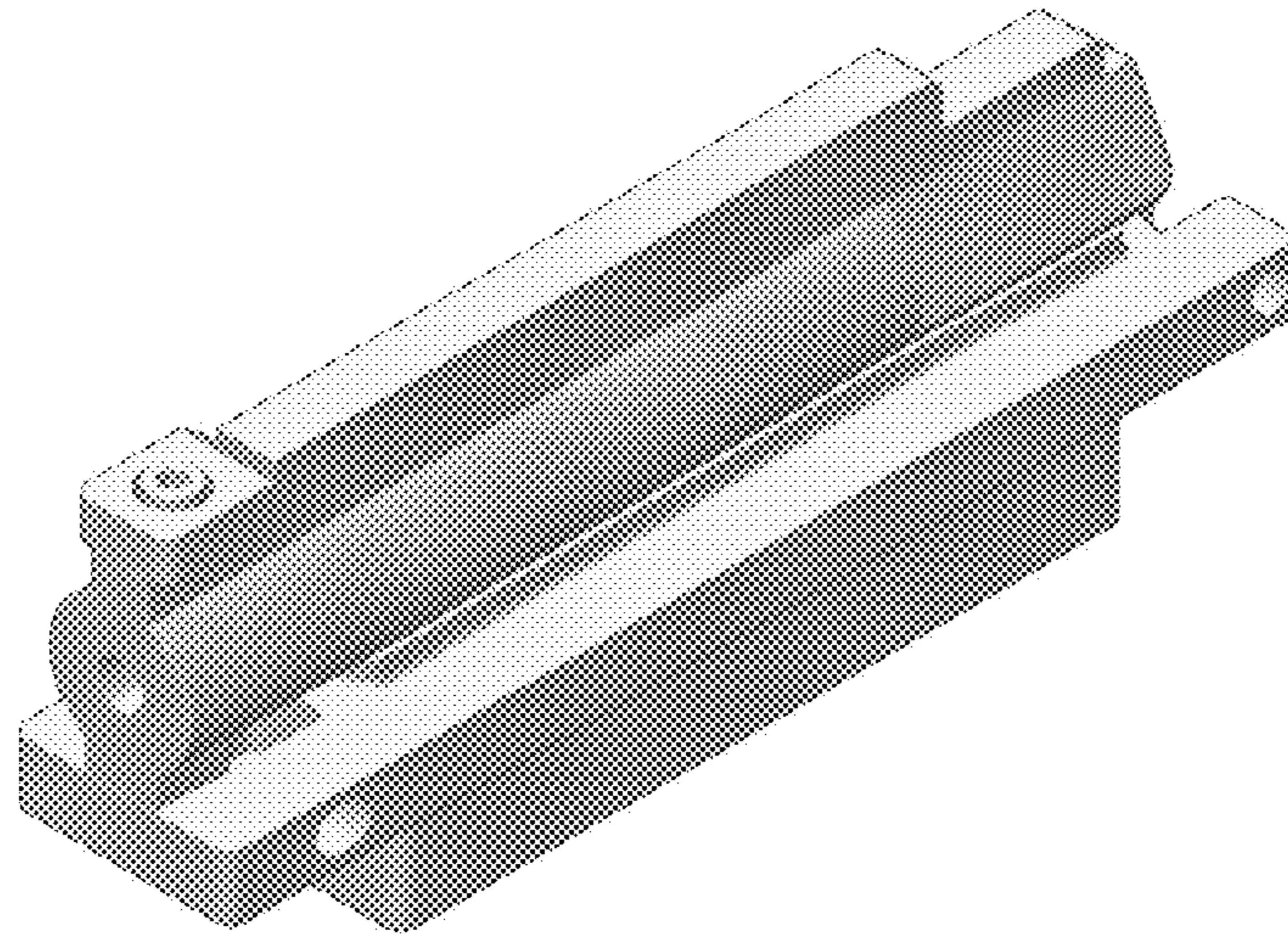


FIG. 8

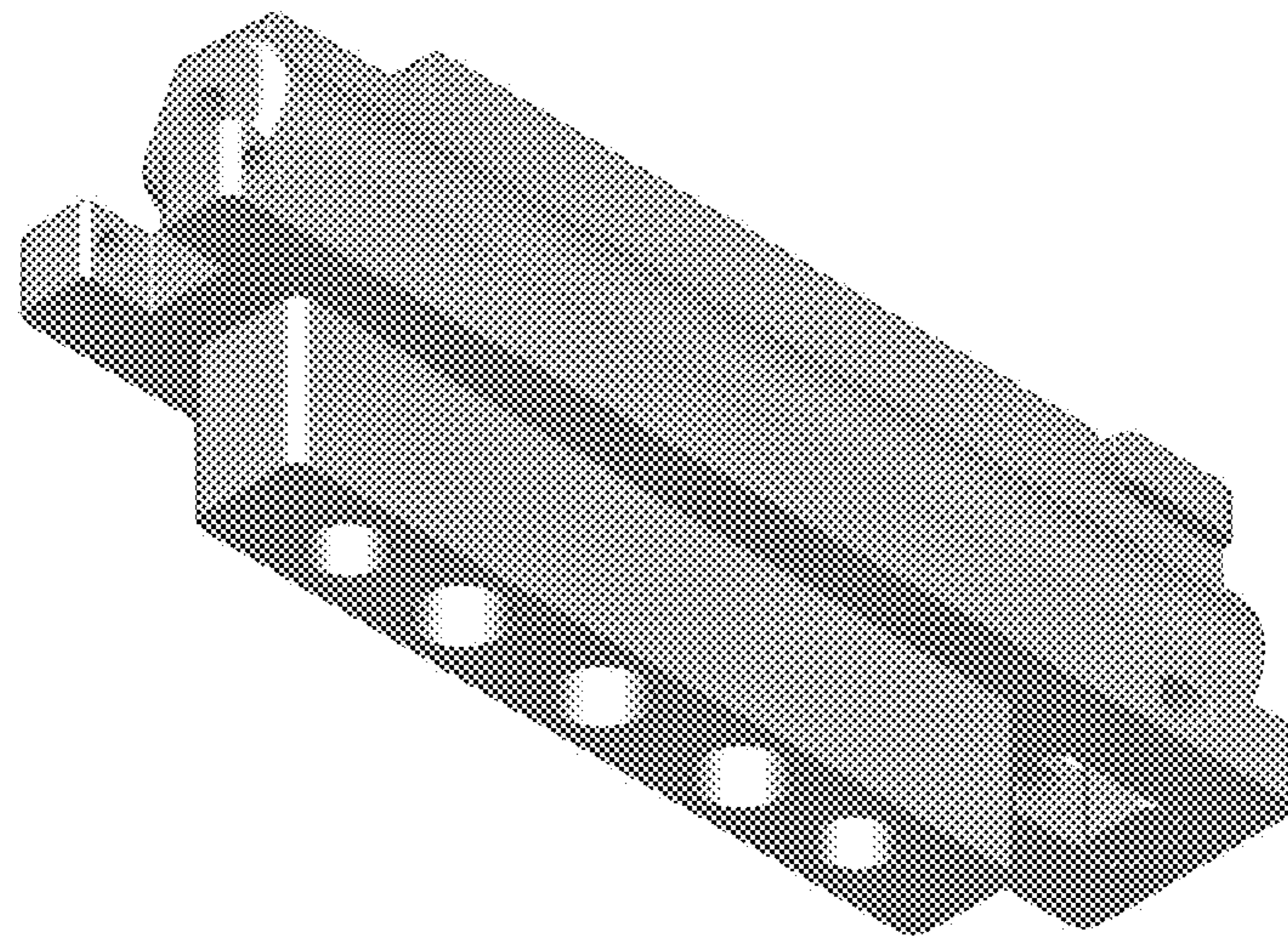


FIG. 9

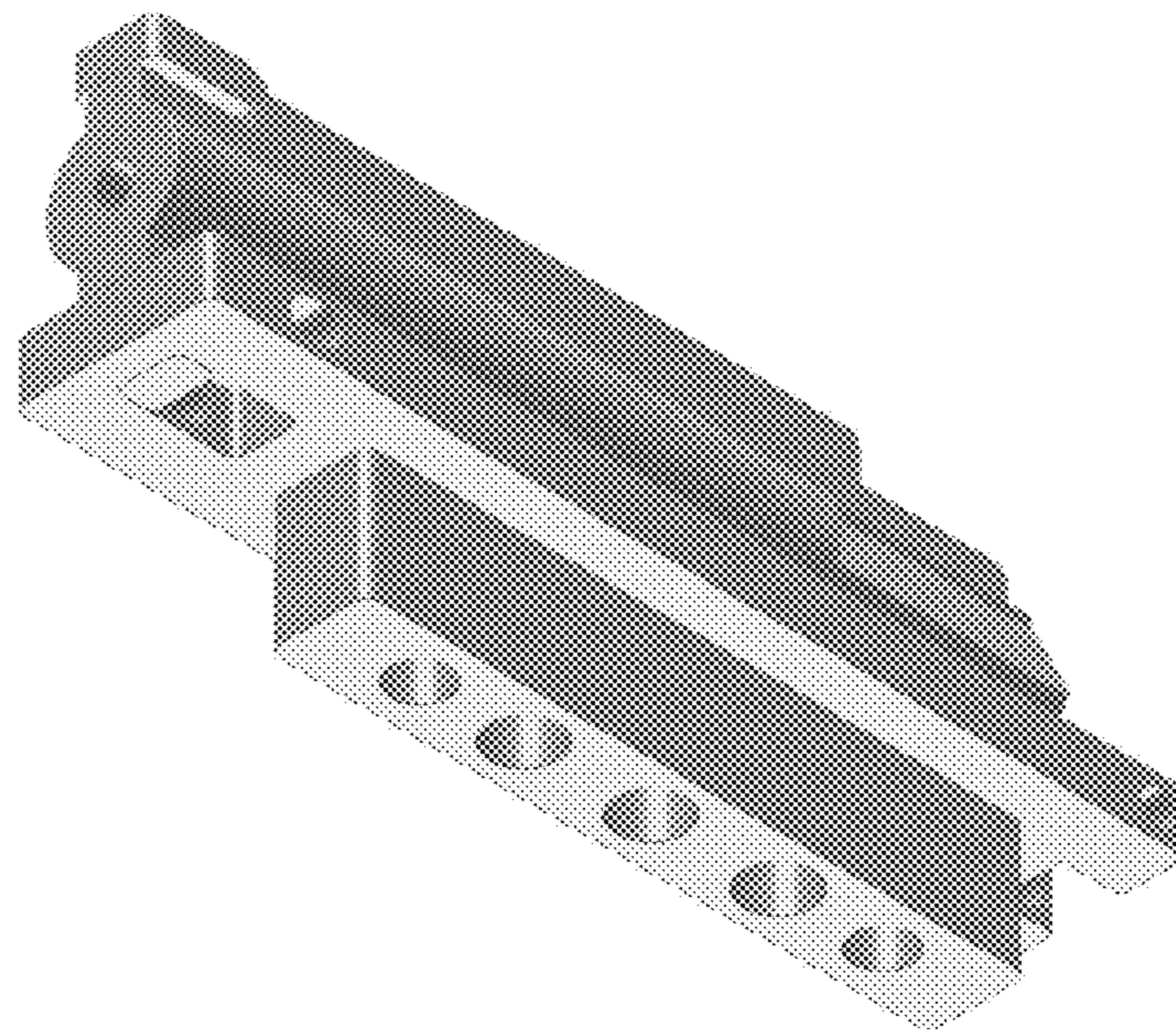


FIG. 10