



US00D870839S

(12) **United States Design Patent**  
**Cheng et al.**

(10) **Patent No.:** **US D870,839 S**

(45) **Date of Patent:** **\*\* Dec. 24, 2019**

(54) **PISTOL GRIP**

(71) Applicants: **Carson Cheng**, City of Industry, CA (US); **Michael Cheng**, City of Industry, CA (US); **Richard Thomas**, City of Industry, CA (US)

(72) Inventors: **Carson Cheng**, City of Industry, CA (US); **Michael Cheng**, City of Industry, CA (US); **Richard Thomas**, City of Industry, CA (US)

(73) Assignee: **NcSTAR Inc.**, City of industry, CA (US)

(\*\*) Term: **15 Years**

(21) Appl. No.: **29/634,078**

(22) Filed: **Jan. 18, 2018**

(51) **LOC (12) Cl.** ..... **22-01**

(52) **U.S. Cl.**  
USPC ..... **D22/108**

(58) **Field of Classification Search**  
USPC ..... D22/104, 108; 42/90, 94, 114, 117, 42/124-127, 131, 146; 362/109-114; D8/68  
CPC ..... F41C 23/10; F41C 23/14; F41C 23/16; F41C 23/18  
See application file for complete search history.

(56) **References Cited**

**U.S. PATENT DOCUMENTS**

D273,316 S *	4/1984	Lambert	.....	D22/104
D302,289 S *	7/1989	Lambert	.....	D22/108
D559,345 S *	1/2008	Wayne	.....	D22/108
D600,309 S *	9/2009	Fitzpatrick	.....	D22/109
D600,310 S *	9/2009	Fitzpatrick	.....	D22/109
D631,122 S *	1/2011	Domagtoy	.....	D22/108
D687,506 S *	8/2013	Yigit	.....	D22/104
D705,887 S *	5/2014	Fitzpatrick	.....	D22/108

D722,125 S *	2/2015	Zayatz	.....	D22/108
D735,832 S *	8/2015	Fitzpatrick	.....	D22/108
D740,910 S *	10/2015	Hines	.....	D22/108
D742,986 S *	11/2015	Ward, Jr.	.....	D22/108
D771,765 S *	11/2016	Ewer	.....	D22/108
D791,262 S *	7/2017	Brown	.....	D22/104
D821,529 S *	6/2018	Cheng	.....	D22/108
10,036,609 B1 *	7/2018	Rojas Garcia	.....	F41C 23/10
D830,480 S *	10/2018	Chu	.....	D21/574
D837,926 S *	1/2019	Christian	.....	D22/108

(Continued)

**OTHER PUBLICATIONS**

Strike Industries featureless grip, Amazon.com, [online], [site visited Jul. 23, 2019]. <URL: [https://www.amazon.com/Strike-Industries-featureless-grip/dp/B07F49KPK9/ref=pd\\_lpo\\_sbs\\_200\\_t\\_0?encoding=UTF8&psc=1&refRID=SAE6B7J6WQVB292476VP](https://www.amazon.com/Strike-Industries-featureless-grip/dp/B07F49KPK9/ref=pd_lpo_sbs_200_t_0?encoding=UTF8&psc=1&refRID=SAE6B7J6WQVB292476VP)> (Year: 2019).\*

(Continued)

*Primary Examiner* — T Chase Nelson  
*Assistant Examiner* — Jonathan J. Han

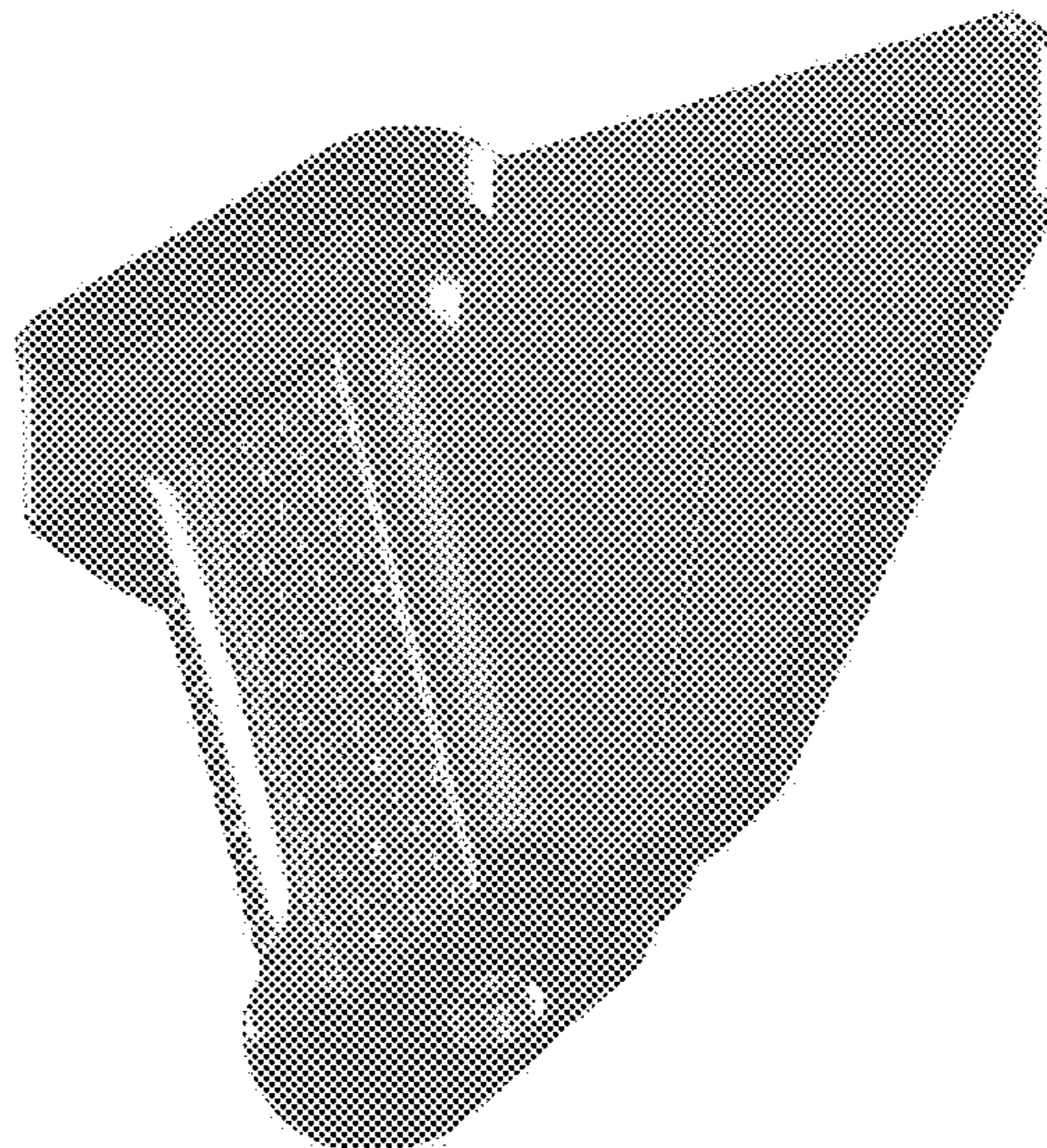
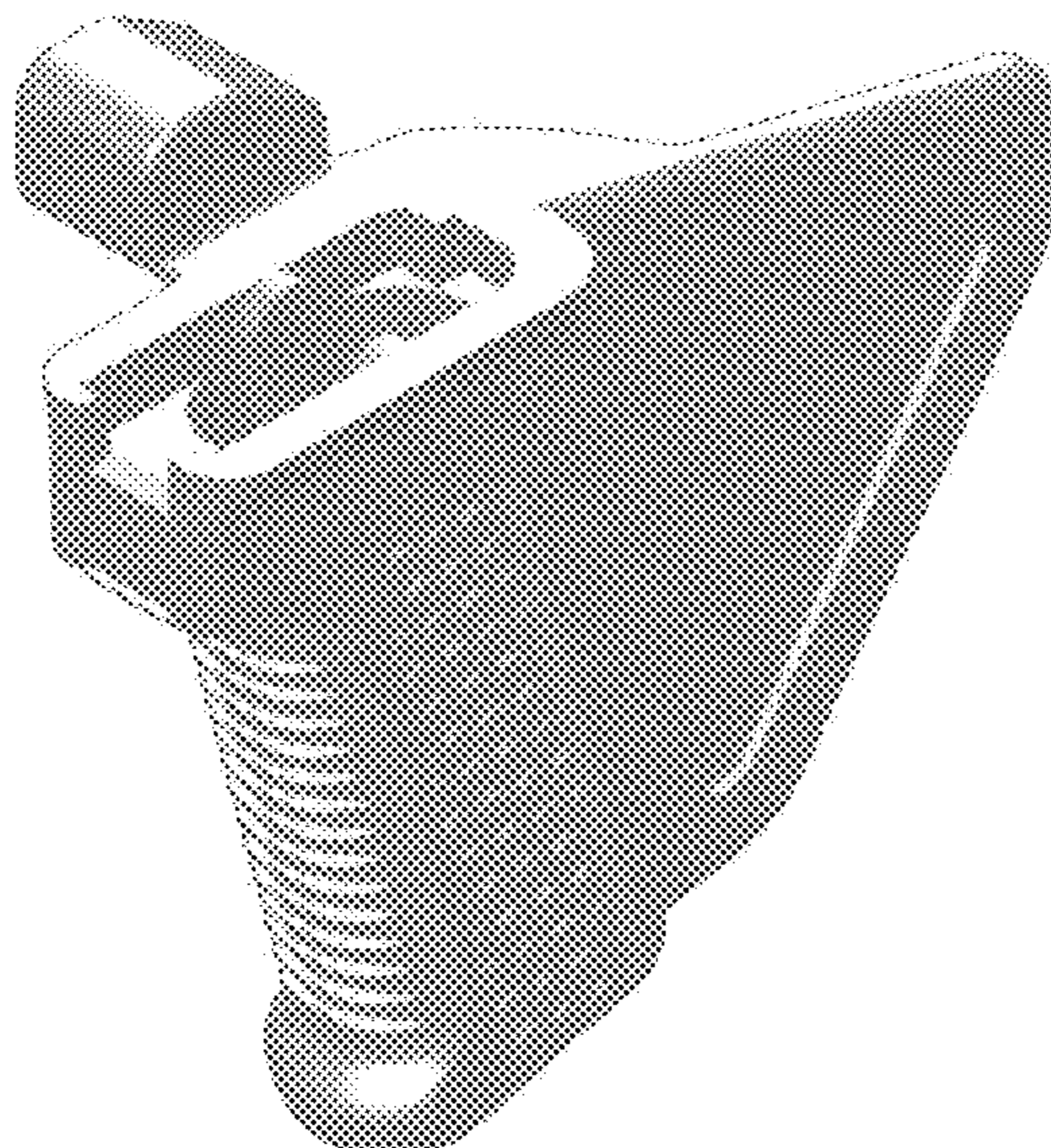
(57) **CLAIM**

The ornamental design for a pistol grip, as shown and described.

**DESCRIPTION**

FIG. 1 is a front view of the pistol grip of our new design; FIG. 2 is a rear view thereof; FIG. 3 is a left view thereof; FIG. 4 is a right view thereof; FIG. 5 is a top view thereof; FIG. 6 is a bottom view thereof; FIG. 7 is a top perspective view thereof; FIG. 8 is top front left perspective view thereof; FIG. 9 is a top front right perspective view thereof; FIG. 10 is a bottom front left perspective view thereof; and, FIG. 11 is a bottom front right perspective view thereof.

**1 Claim, 8 Drawing Sheets**



(56)

**References Cited**

U.S. PATENT DOCUMENTS

D840,491 S \* 2/2019 Bowman ..... D22/108  
D840,492 S \* 2/2019 Bowman ..... D22/108  
D846,685 S \* 4/2019 Ewer ..... D22/108  
D850,560 S \* 6/2019 Cheng ..... D22/108  
D852,309 S \* 6/2019 Al-Khateeb ..... D22/108

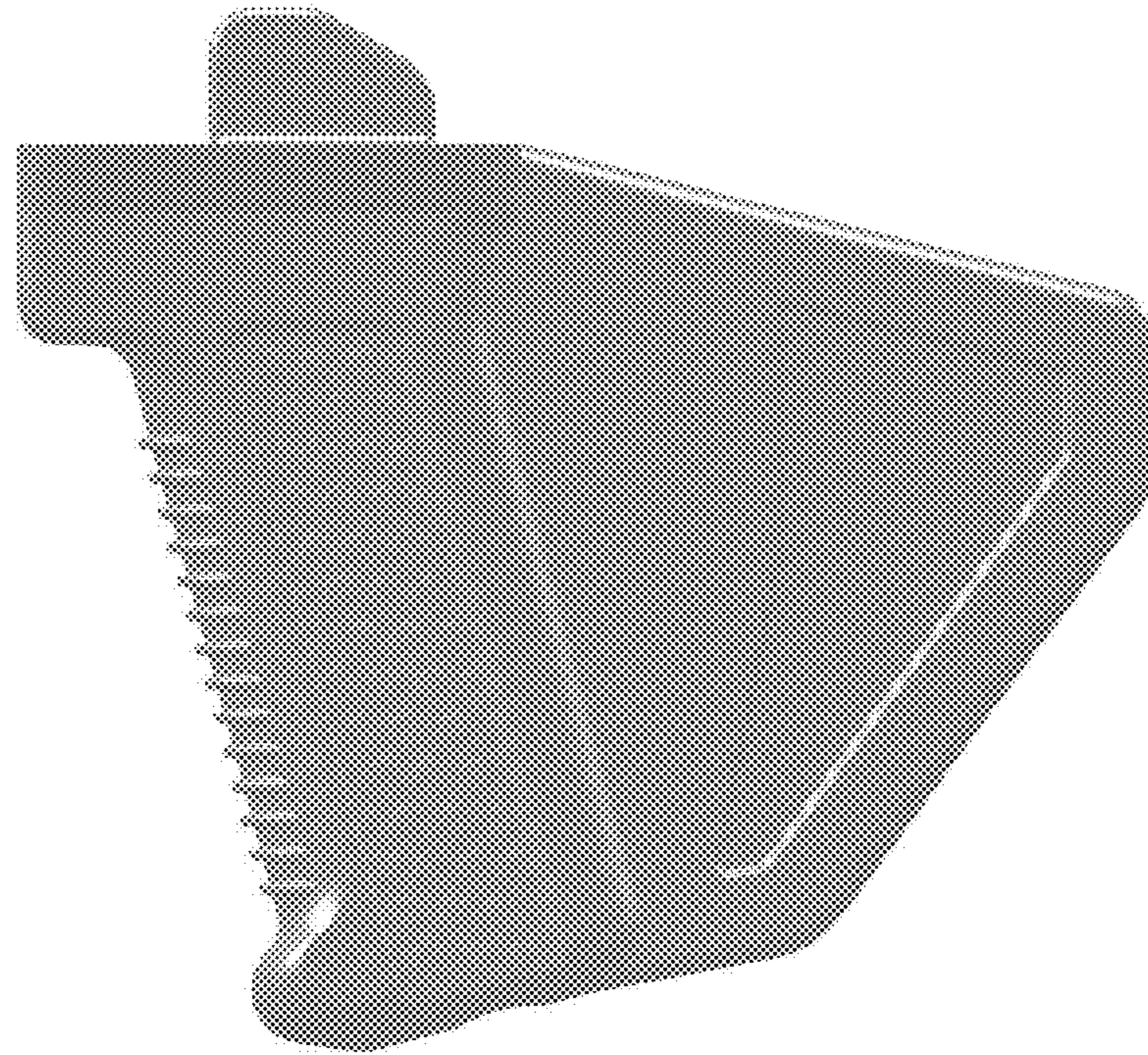
OTHER PUBLICATIONS

RifleGear F-1-AR Fin Grip, RifleGear.com, [online], [site visited Jul. 23, 2019]. <URL: <https://www.riflegear.com/p-8379-riflegear-f1-ar-fin-grip.aspx>> (Year: 2019).\*

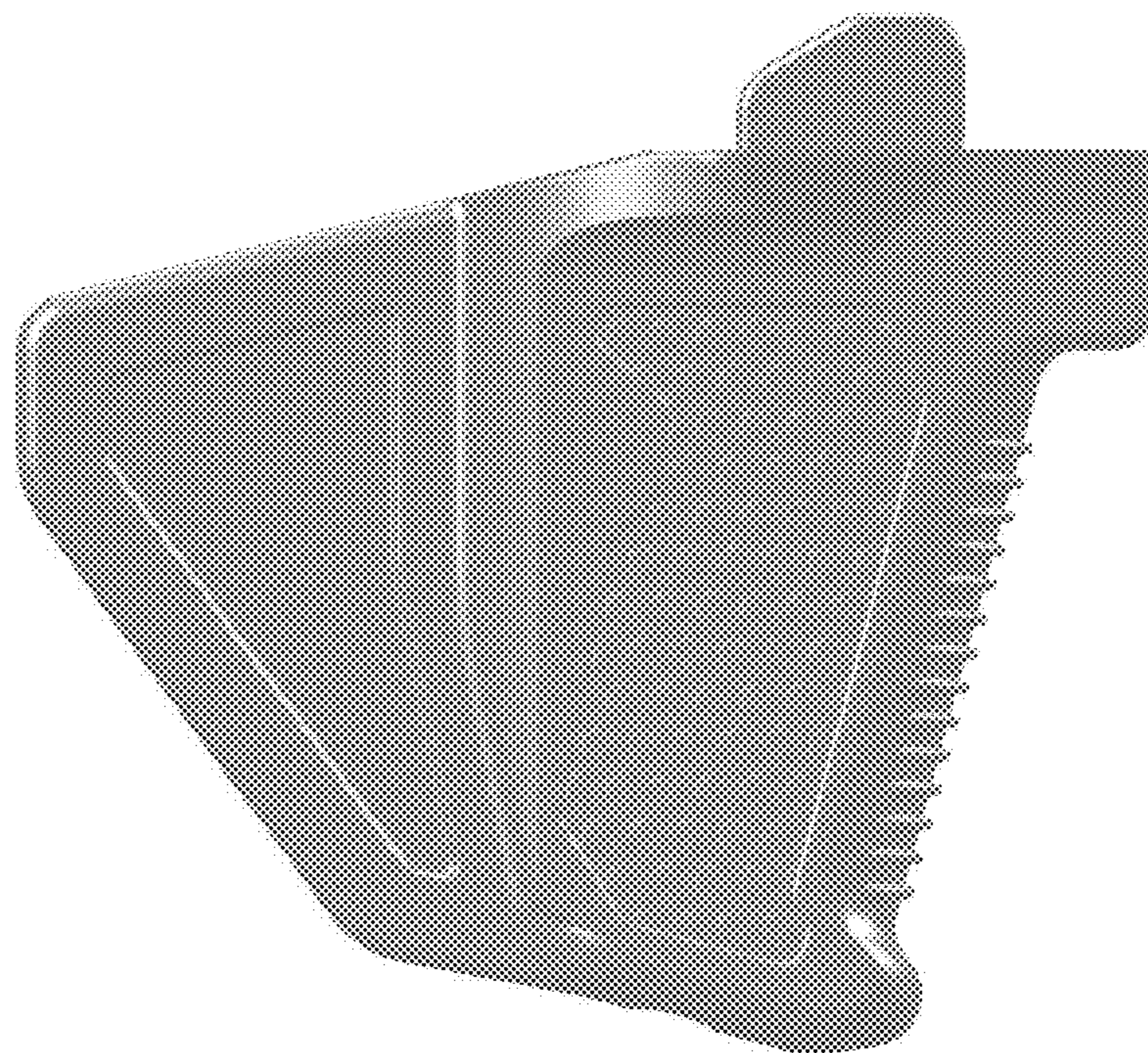
RifleGear F1 AK Fixed Stock Fin Grip, RifleGear.com, [online], [site visited Jul. 23, 2019]. <URL: <https://www.riflegear.com/p-8380-riflegear-f1-ak-fixed-stock-fin-grip.aspx>> (Year: 2019).\*

Featureless AK Pistol Grip w/Fin Backstrap, AimSportsInc.com, [online], [site visited Jul. 23, 2019]. <URL: <https://www.aimsportsinc.com/california-featureless-ak-grip/>> (Year: 2019).\*

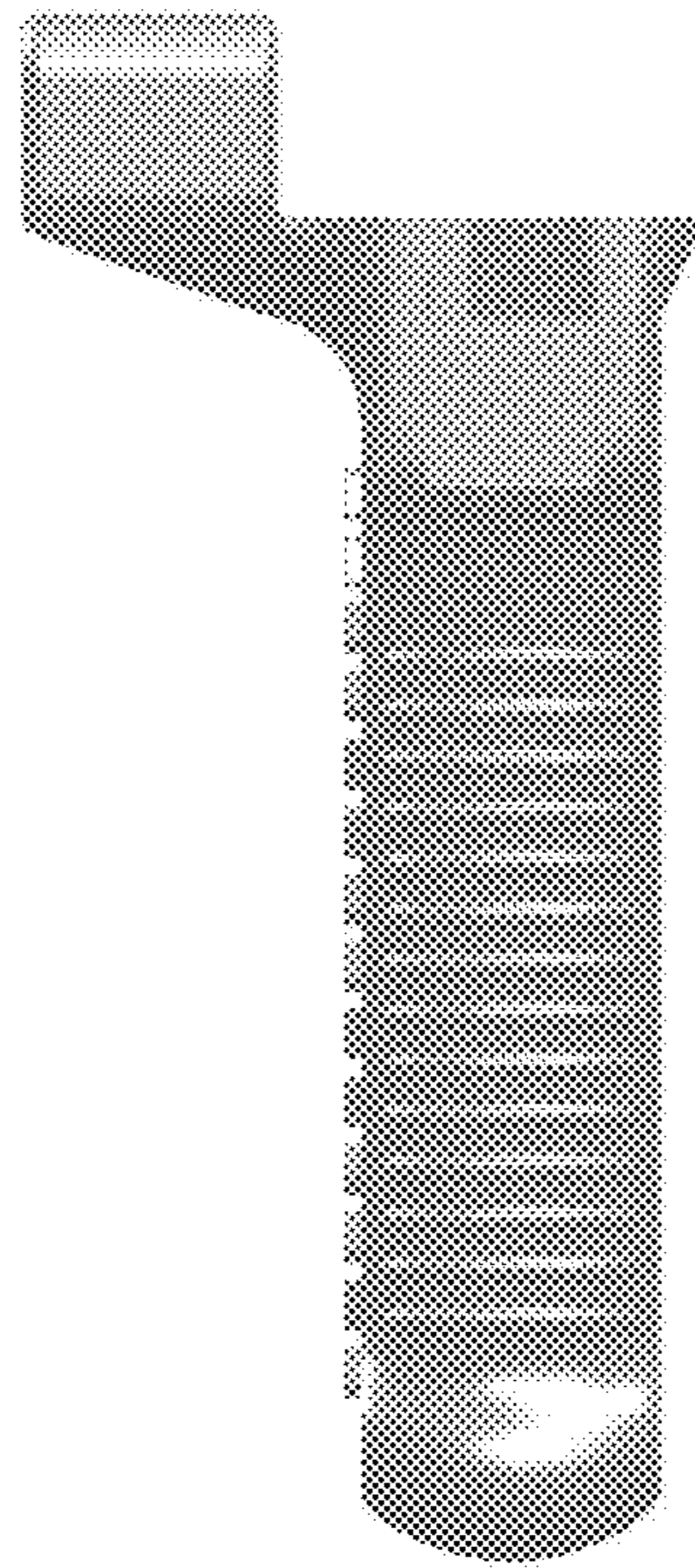
\* cited by examiner



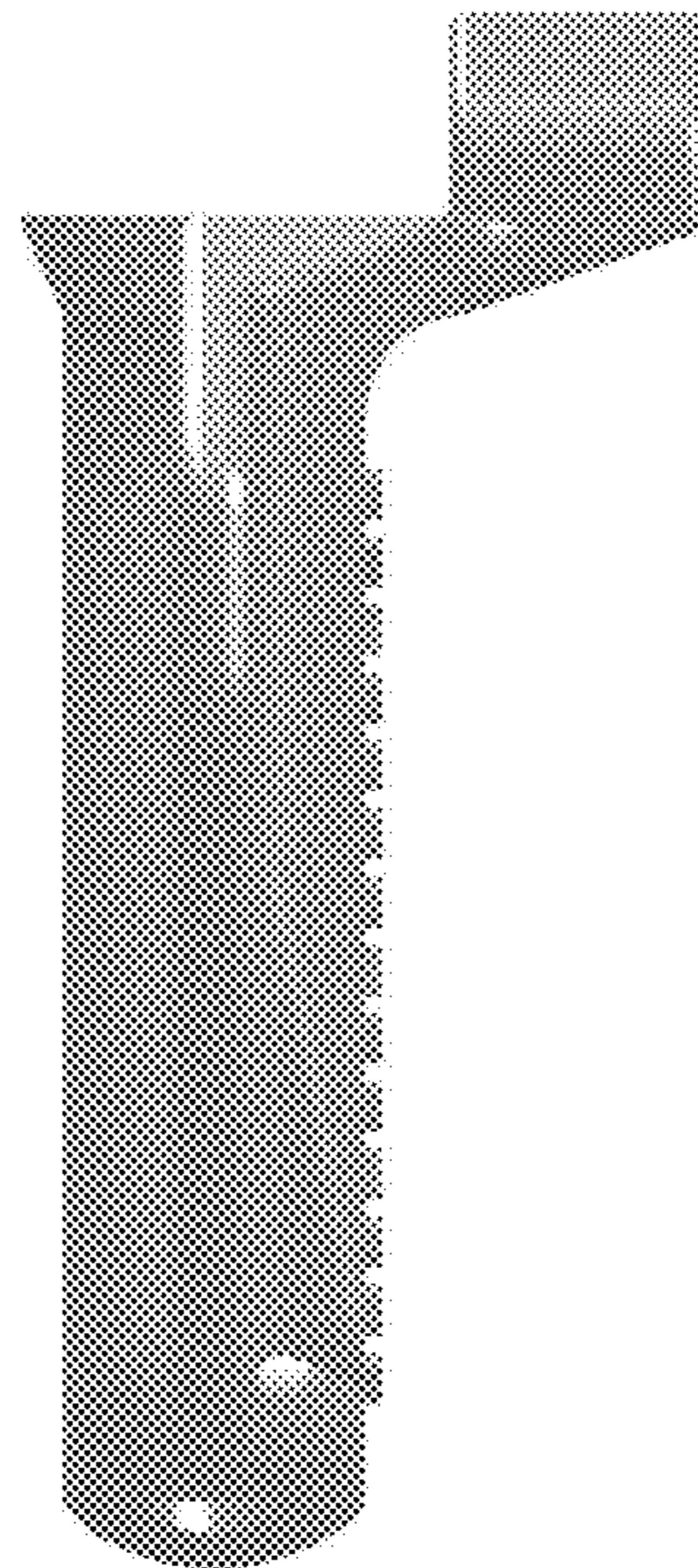
**FIG. 1**



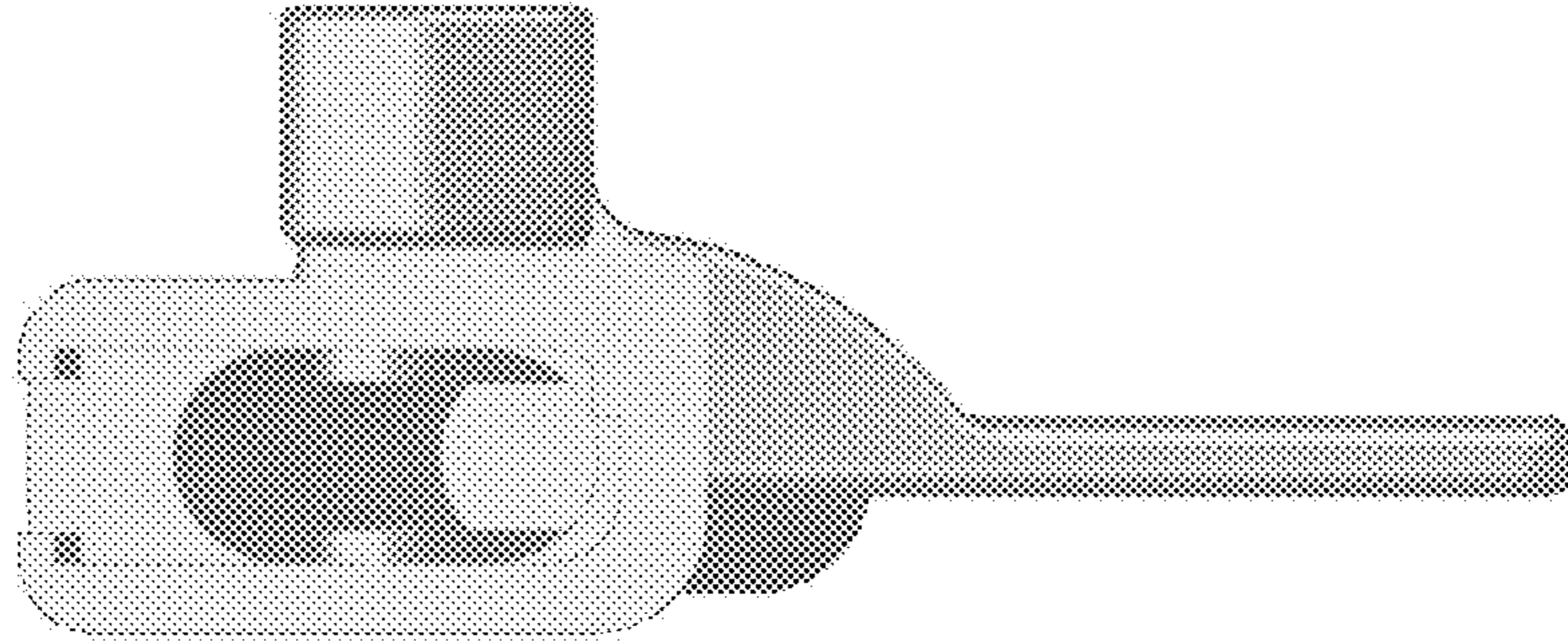
**FIG. 2**



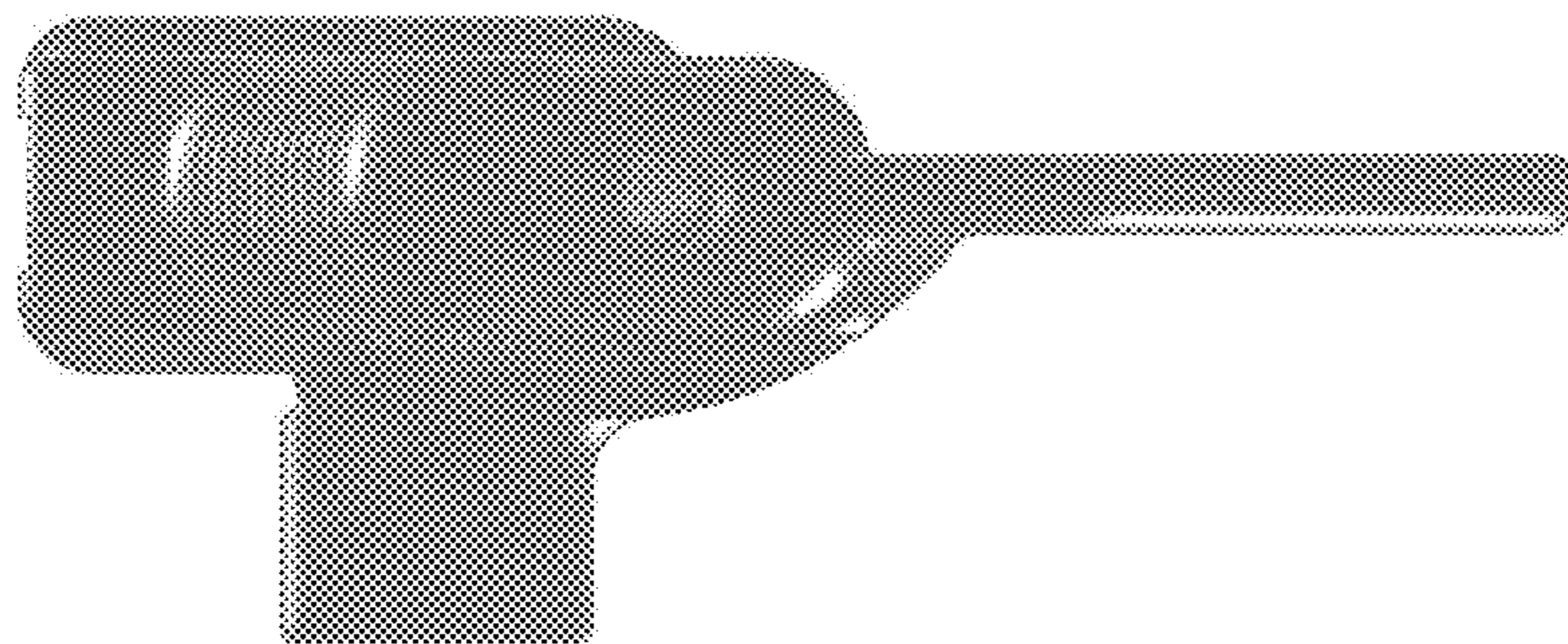
**FIG. 3**



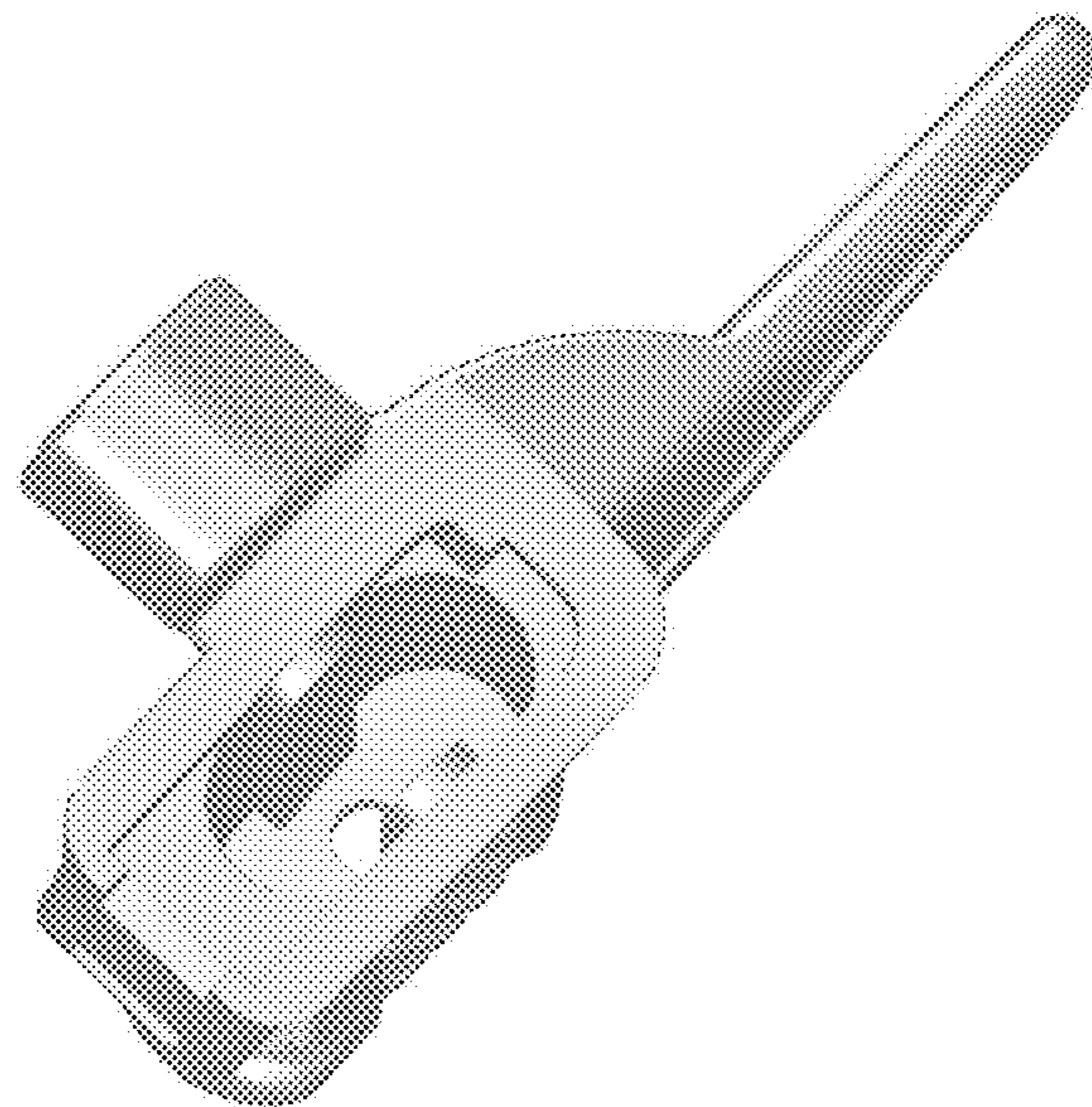
**FIG. 4**



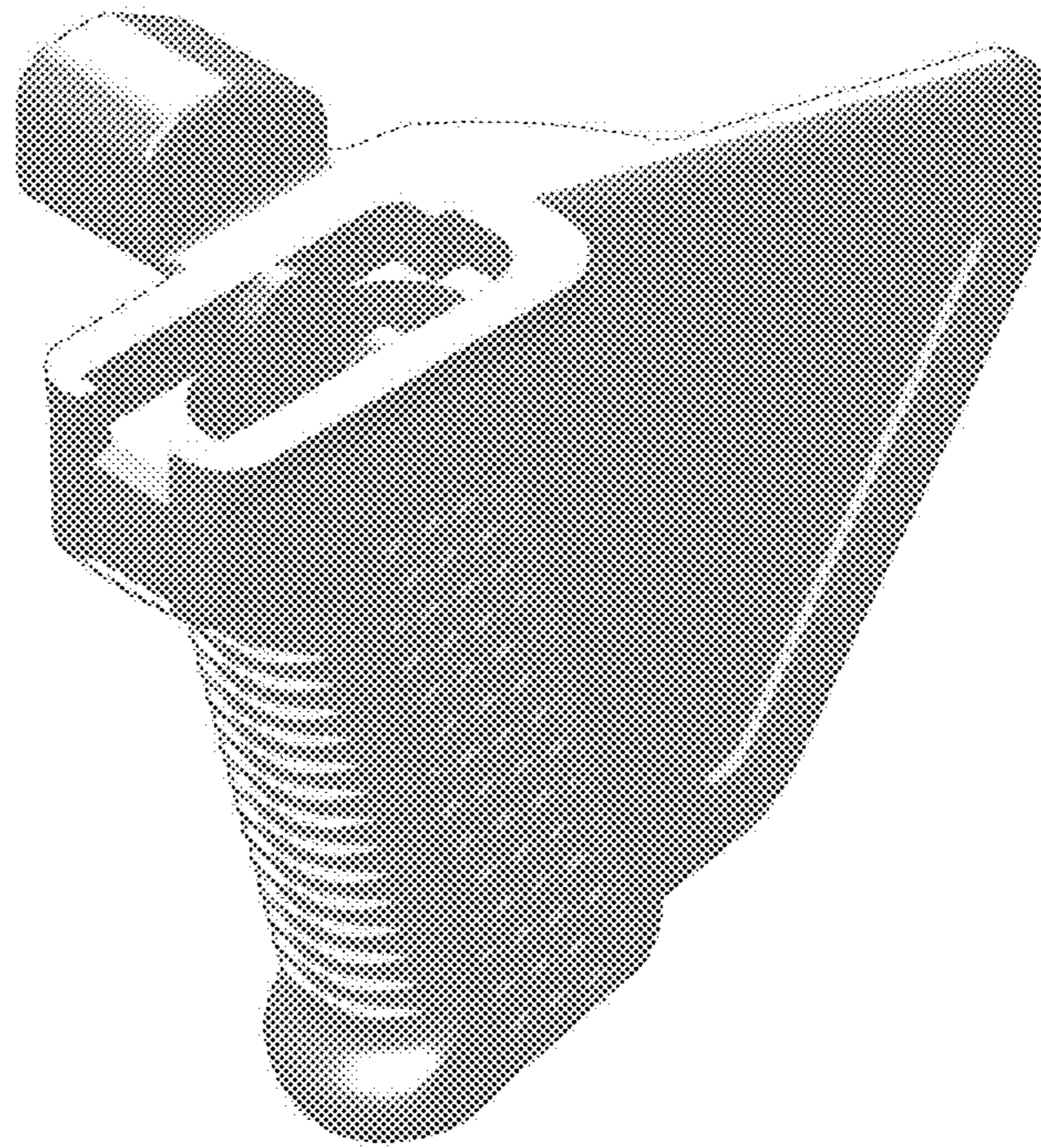
**FIG. 5**



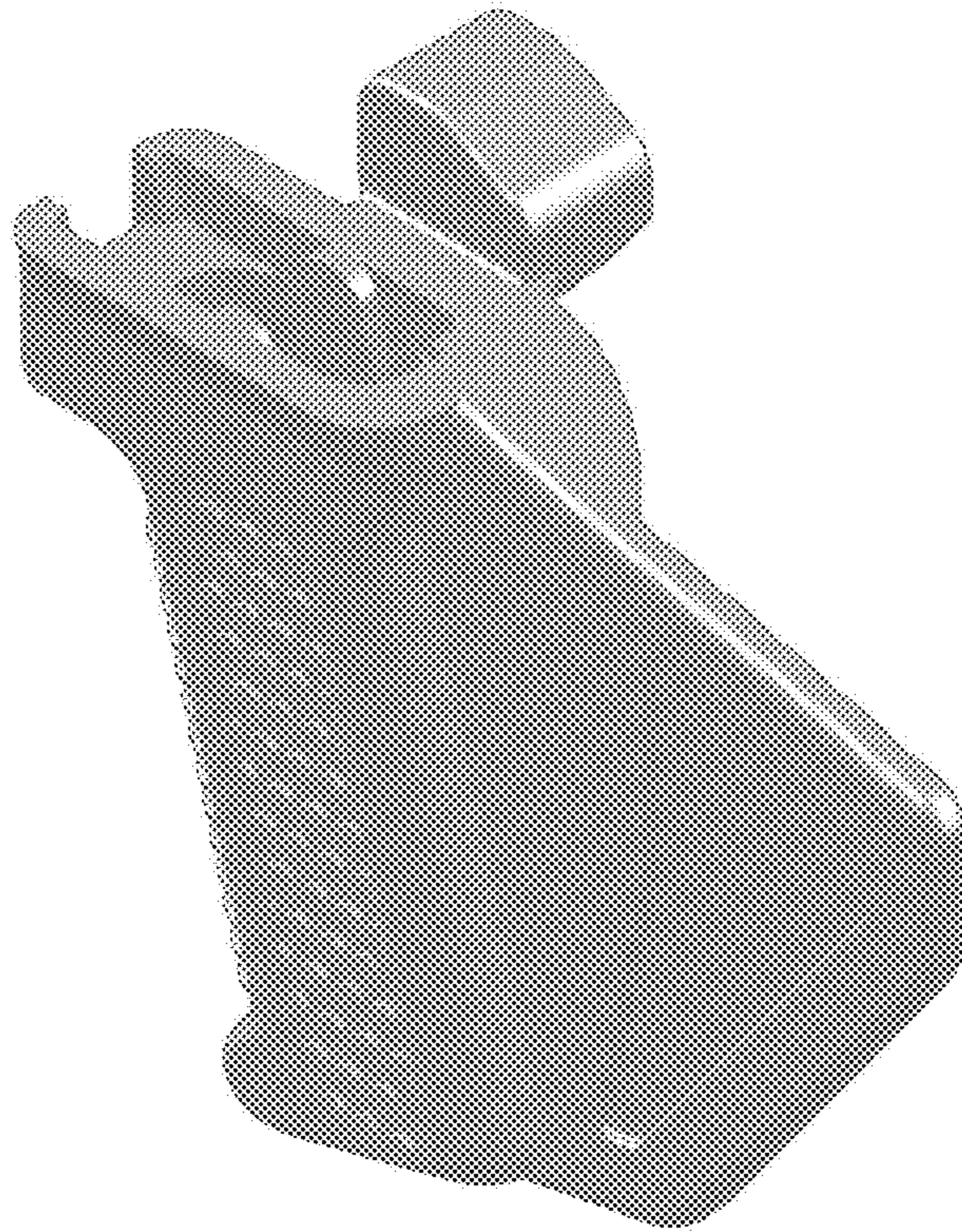
**FIG. 6**



**FIG. 7**

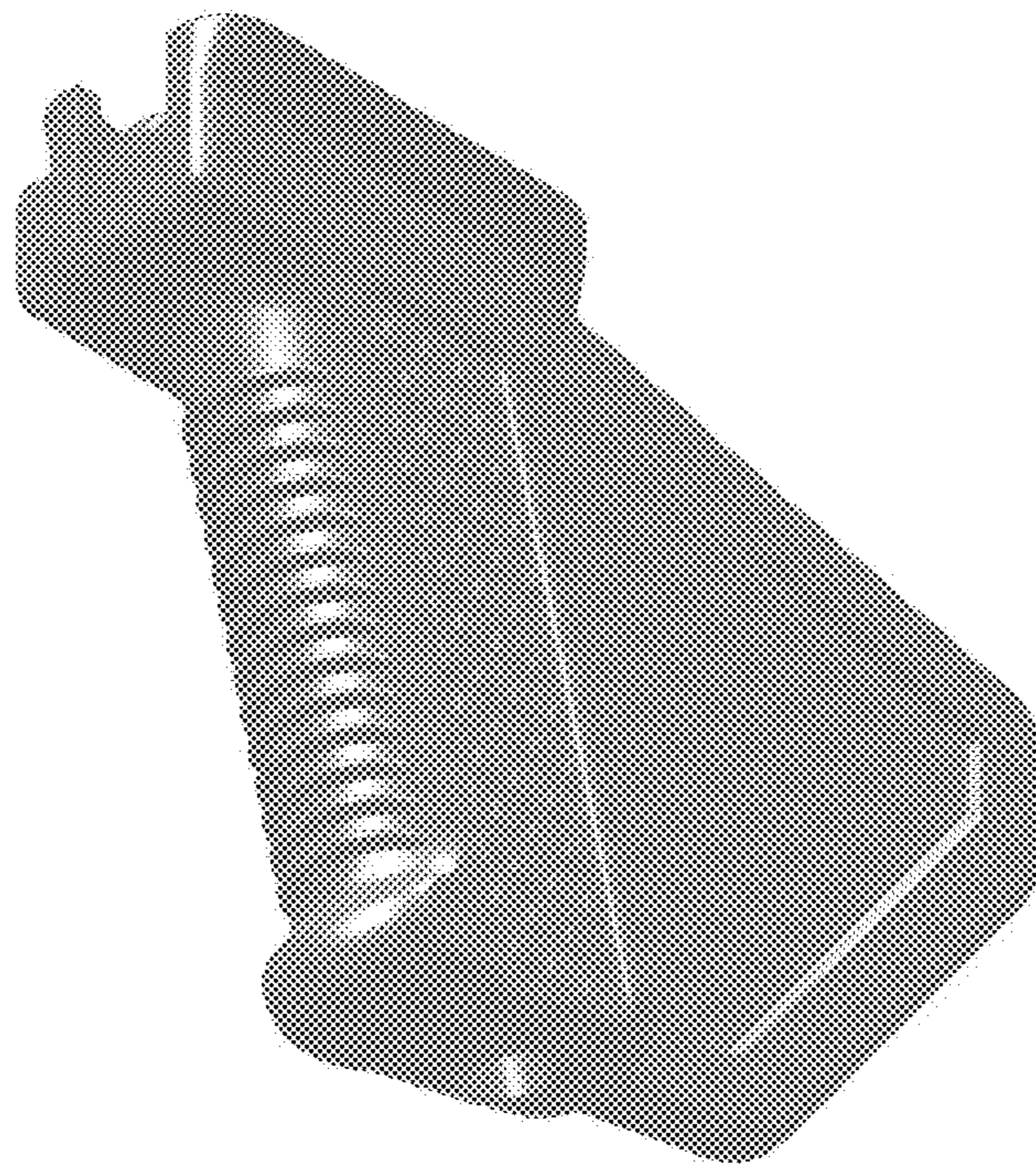


**FIG. 8**

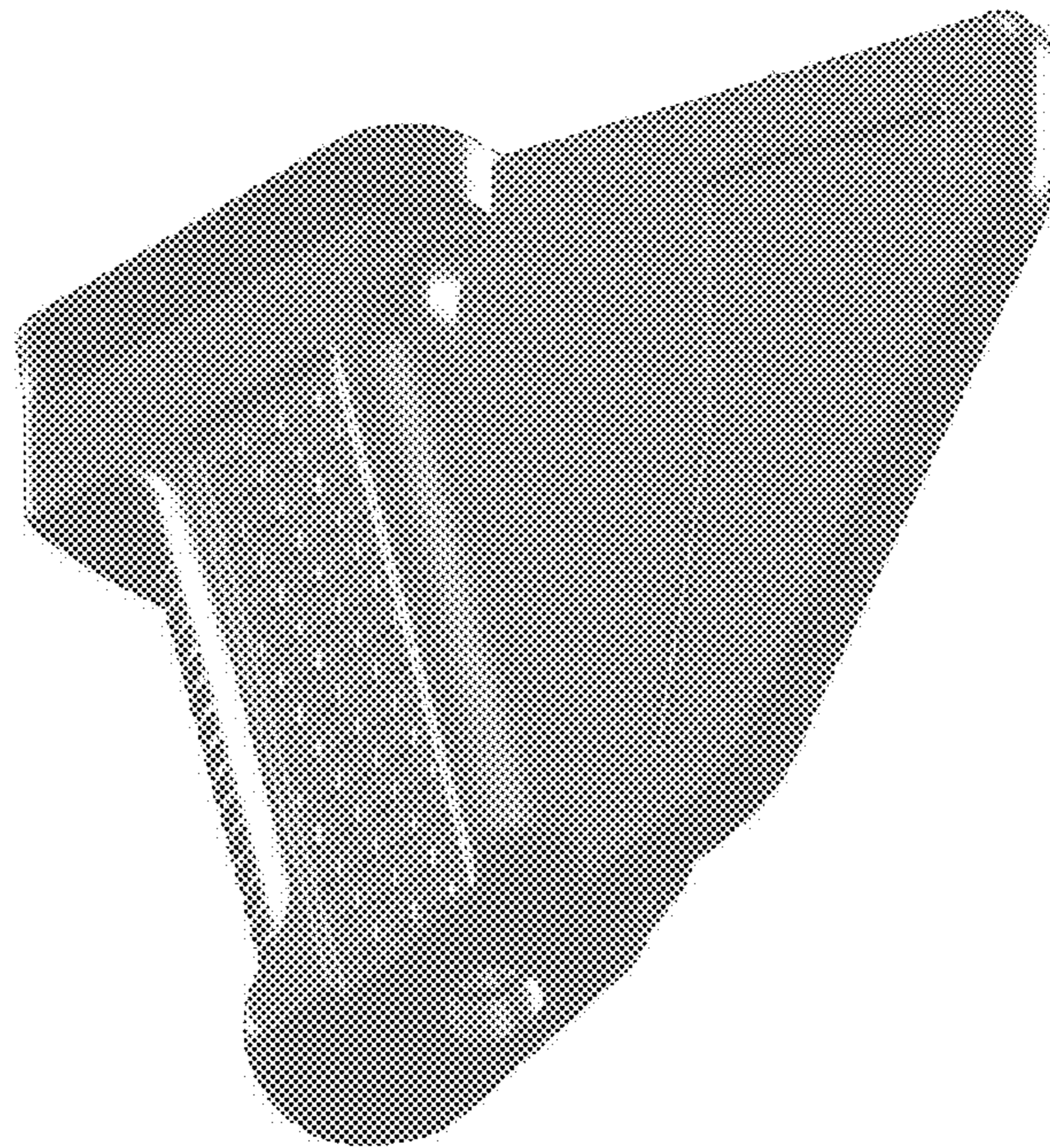


**FIG. 9**





**FIG. 10**



**FIG. 11**