



US00D870836S

(12) **United States Design Patent** (10) **Patent No.:** **US D870,836 S**
Packard et al. (45) **Date of Patent:** **** Dec. 24, 2019**

(54) **FIREARM**
(71) Applicant: **Sig Sauer, Inc.**, Newington, NH (US)
(72) Inventors: **Harry Andrew Packard**, Amesbury, MA (US); **Christopher Sirois**, Newfields, NH (US); **Douglas Aubin**, Newmarket, NH (US); **David Michael Wilkes**, Deerfield, NH (US); **Robert Hirt**, Exeter, NH (US)

3,488,488 A 1/1970 Crouch
3,618,584 A 11/1971 Pigeon
4,512,236 A 4/1985 Thevis et al.
4,617,749 A 10/1986 Jurek
4,735,007 A 4/1988 Gal
D304,062 S 10/1989 Barrett
5,209,215 A 5/1993 Morrison
5,251,533 A 10/1993 Layton
D344,124 S 2/1994 Cupp
(Continued)

(73) Assignee: **Sig Sauer, Inc.**, Newington, NH (US)
(**) Term: **15 Years**

FOREIGN PATENT DOCUMENTS

CN 200968821 Y 10/2007

(21) Appl. No.: **29/644,199**
(22) Filed: **Apr. 16, 2018**

OTHER PUBLICATIONS

Sig Sauer, Inc. 2015 Product Catalog (abridged), MCX, downloaded from <http://www.sigsauer.com/Download/CatalogRequest.aspx> on Apr. 2, 2015, 6 pages total.

Related U.S. Application Data

(63) Continuation of application No. 29/571,753, filed on Jul. 21, 2016, now Pat. No. Des. 815,710, which is a continuation of application No. 29/514,630, filed on Jan. 14, 2015, now Pat. No. Des. 764,620.

(Continued)

Primary Examiner — Michael A. Pratt
(74) *Attorney, Agent, or Firm* — Finch & Maloney PLLC

(51) **LOC (12) Cl.** **22-01**
(52) **U.S. Cl.**
USPC **D22/103**

(57) **CLAIM**

The ornamental design for a firearm, as shown and described.

(58) **Field of Classification Search**
USPC D22/103, 108; D21/572–575
CPC F41C 23/00; F41C 27/00; F41C 27/06;
F41C 23/10; F41C 23/14; F41C 23/16;
F41C 23/18; F41A 5/18; F41A 5/24;
F41A 21/28
See application file for complete search history.

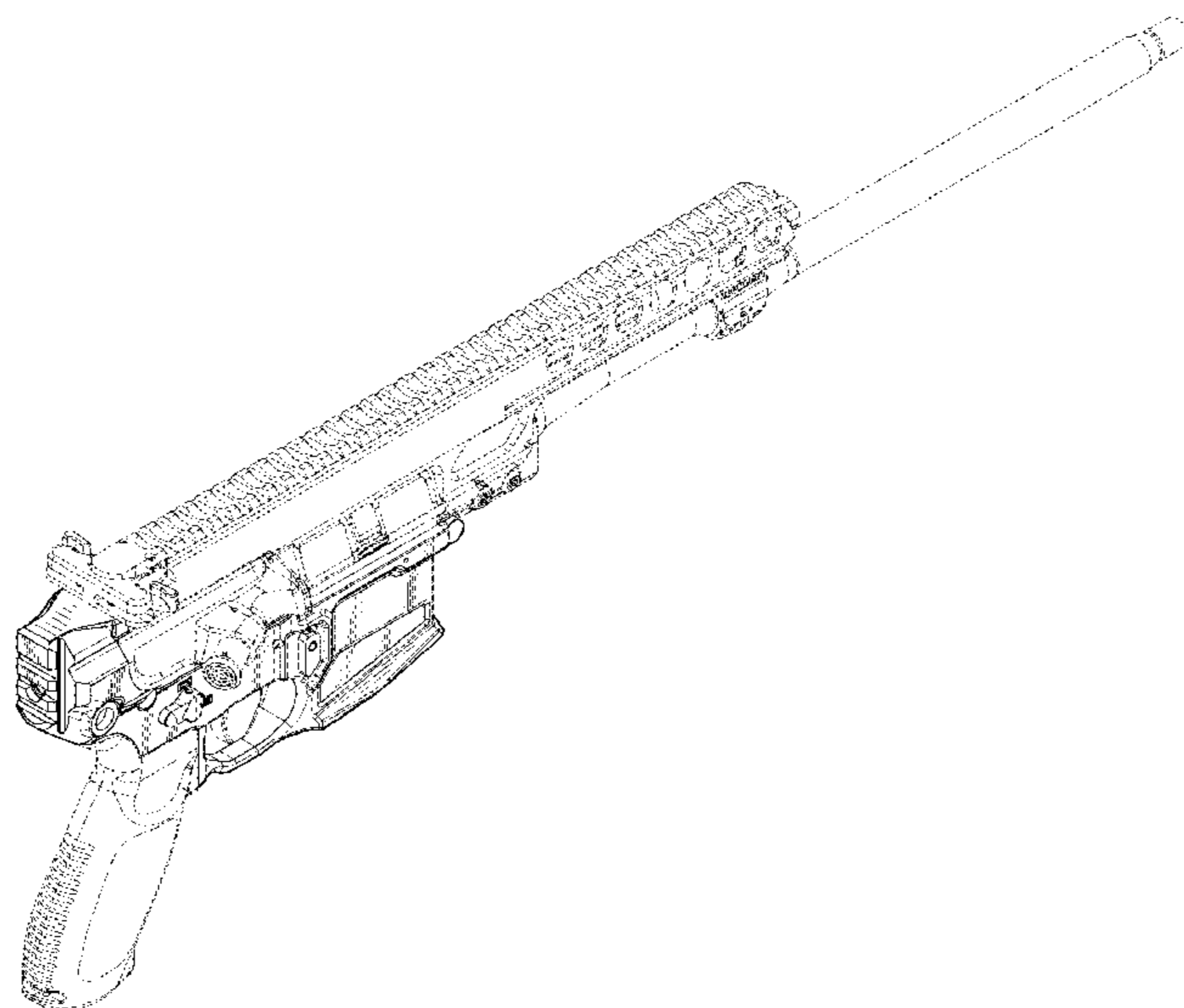
DESCRIPTION

FIG. 1 is a perspective view of a firearm showing our new design;
FIG. 2 is a top elevation view thereof;
FIG. 3 is a bottom elevation view thereof;
FIG. 4 is a left elevation view thereof;
FIG. 5 is a right elevation view thereof;
FIG. 6 is a front elevation view thereof; and,
FIG. 7 is a rear elevation view thereof.
The broken lines in the figures are for the purpose of illustrating environmental structure only and form no part of the claimed design.

(56) **References Cited**
U.S. PATENT DOCUMENTS

2,424,194 A 7/1947 Sampson et al.
2,970,398 A 2/1961 Crouch
3,201,887 A 8/1965 Sedelow
3,369,316 A 2/1968 Miller

1 Claim, 5 Drawing Sheets



(56)

References Cited

U.S. PATENT DOCUMENTS

D410,988 S 6/1999 Hines
 5,983,774 A 11/1999 Mihaita
 D477,855 S 7/2003 Selvaggio
 6,839,998 B1 1/2005 Armstrong
 D510,401 S 10/2005 Murello et al.
 D556,289 S 11/2007 Yu
 7,418,797 B1 9/2008 Crose
 D600,310 S 9/2009 Fitzpatrick et al.
 D606,155 S 12/2009 Swan
 D606,156 S 12/2009 Swan
 D606,614 S 12/2009 Fitzpatrick et al.
 D613,811 S 4/2010 Swan
 D622,802 S 8/2010 Fitzpatrick et al.
 7,793,452 B1 9/2010 Samson et al.
 7,798,045 B1 9/2010 Fitzpatrick et al.
 7,827,722 B1 11/2010 Davies
 D636,044 S 4/2011 Larson et al.
 D636,048 S 4/2011 Larson et al.
 D639,376 S 6/2011 Ding
 7,966,761 B1 6/2011 Kuczynko et al.
 D641,062 S 7/2011 Faifer
 D641,450 S 7/2011 Ding
 D648,811 S 11/2011 En
 8,061,072 B1 11/2011 Crose
 8,091,265 B1 1/2012 Teetzel et al.
 8,109,026 B1 2/2012 Bentley et al.
 8,151,504 B1 4/2012 Aiston
 8,201,353 B1 6/2012 Swan
 8,245,429 B2 8/2012 Kuczynko et al.
 D671,184 S 11/2012 Larson et al.
 D674,859 S 1/2013 Robbins et al.
 8,397,419 B2 3/2013 Williams
 8,443,538 B1 5/2013 Moody
 8,448,366 B2 5/2013 Faifer
 8,522,467 B1 9/2013 Christensen et al.
 D692,517 S 10/2013 Faifer
 D696,374 S 12/2013 Faifer
 8,631,601 B2 1/2014 Langevin et al.
 D699,807 S 2/2014 Lee
 8,667,882 B1 3/2014 Larson et al.
 D702,792 S 4/2014 Burt et al.
 D702,793 S * 4/2014 Burt D22/103
 8,726,558 B1 5/2014 Nason
 D708,693 S 7/2014 Faxon
 8,769,855 B2 7/2014 Law
 8,806,792 B2 8/2014 Yan et al.
 D714,413 S 9/2014 Kerbrat et al.
 8,844,185 B2 9/2014 Jarboe
 D716,403 S * 10/2014 Burt D22/108
 D717,907 S 11/2014 Montes
 D717,908 S 11/2014 Montes
 8,904,691 B1 12/2014 Kincel
 8,931,196 B1 1/2015 LaRue
 D723,128 S 2/2015 Hu
 D724,168 S 3/2015 Alis
 D724,169 S 3/2015 Emde et al.
 D724,171 S 3/2015 Trusty
 D724,688 S 3/2015 Hirt et al.
 D725,213 S * 3/2015 Hirt D22/103
 D725,219 S * 3/2015 Hirt D22/108
 D725,220 S 3/2015 Hirt et al.
 9,015,980 B2 4/2015 Shull
 D731,023 S * 6/2015 Hirt D22/108
 D733,223 S 6/2015 Chu
 D736,886 S 8/2015 Cheng et al.
 D744,054 S 11/2015 Peterson et al.
 D744,056 S 11/2015 Jammet
 D746,366 S 12/2015 Folkestad et al.
 9,273,926 B2 3/2016 Wood et al.
 9,297,609 B2 3/2016 Burt
 9,389,043 B1 7/2016 Zhang
 9,404,714 B2 8/2016 Langevin et al.
 9,423,216 B2 8/2016 Cheng et al.
 9,453,701 B2 9/2016 Simek
 D794,620 S 8/2017 Lee et al.

2005/0108915 A1 5/2005 Kincel
 2006/0242880 A1 11/2006 Griffin
 2008/0028662 A1 2/2008 Abraham et al.
 2009/0282718 A1 11/2009 Bartley
 2010/0186276 A1 7/2010 Herring
 2010/0319231 A1 12/2010 Stone et al.
 2011/0061281 A1 3/2011 Kapusta et al.
 2011/0247483 A1 10/2011 Overstreet et al.
 2011/0283581 A1 11/2011 Freed
 2012/0017482 A1 1/2012 Chvala
 2012/0180354 A1 7/2012 Sullivan et al.
 2012/0198990 A1 8/2012 Brittin
 2013/0125442 A1 5/2013 Burress, Jr.
 2013/0276341 A1 10/2013 Wells et al.
 2014/0013039 A1 1/2014 Fisher et al.
 2014/0026459 A1 1/2014 Yan et al.
 2014/0033590 A1 2/2014 Gomez
 2014/0075816 A1 3/2014 Larson et al.
 2014/0115939 A1 5/2014 Troy et al.
 2014/0196346 A1 7/2014 Grimshaw et al.
 2014/0130390 A1 8/2014 Geissele
 2014/0230298 A1 8/2014 King, Jr.
 2014/0260946 A1 9/2014 Gomez
 2015/0000171 A1 1/2015 Roberts
 2015/0168096 A1 6/2015 Miller et al.
 2015/0192385 A1 7/2015 Krebs
 2015/0241160 A1 8/2015 McGinty
 2015/0316347 A1 11/2015 Shea et al.
 2016/0054096 A1 2/2016 Dzwil
 2016/0084612 A1 3/2016 Robinson et al.
 2016/0169617 A1 6/2016 Daley, Jr.
 2016/0178316 A1 6/2016 Miller et al.
 2016/0223286 A1 8/2016 Storch
 2017/0023328 A1 1/2017 Irvin et al.
 2017/0038170 A1 2/2017 Gomez
 2017/0082385 A1 3/2017 Ome, III et al.

OTHER PUBLICATIONS

NcSTAR AR-15 Carbine Extended KeyMod Handguard, Sportsmanguide.com [online], [site visited Sep. 15, 2016]. <URL: <http://www.sportsmanguide.com/product/index/ncstar-ar-15-carbine-extended-keymod-handguard?a=1817641>>, 4 pages.
 Sig Sauer Introduces MPX, P226 Airguns, Tom McHale, Apr. 14, 2015, tacretailer.com [online], [site visited Mar. 15, 2016], <URL: <http://tacretailer.com/2015/04/14/sig-sauer-introduces-mpx-p226-airguns/>>, 7 pages.
 MPX-P Pistol with SBX Pistol Stabilizing Brace, arnzenarms.com, [online], [site visited Sep. 15, 2016]. <URL: <http://arnzenarms.com/product/sig-sauer/self-defense/home-defense/home-defense-guns/home-defense-pistols/mpx-p-pistol-with-sbx-pistol-stablizing-brace-9mm-8-inch-barrel-filp-up-sights-aluminum-keymod>>, 6 pages.
 Sig Sauer MPX post, SIGForum, sigforum.com, posted Jul. 3, 2014, 11:25 PM, [online], [site visited Sep. 15, 2016], <URL: <http://sigforum.com/eve/forums/a/tpc/f/320601935/m/4610068653/p/2>>, 6 pages.
 The SIG MPX Submachine Gun, Sig Sauer, Inc., Youtube.com, video published Apr. 9, 2015, [online], [site visited Sep. 15, 2016], <URL: <https://www.youtube.com/watch?v=Oc29poViVbg&feature=youtu.be>>, 1 page.
 Sig Sauer MPX post, SigForum, sigforum.com, posted Jul. 3, 2014, 06:18 PM, [online], [site visited Sep. 15, 2016], <URL: <http://sigforum.com/eve/forum/a/tpc/f/320601935/m/4610068653>>. 18 pages.
 Omega Mfg AR-15 KeyMod Free Float 15' Extended Rifle Length Handguard Rail, Omega Manufacturing, Inc., omegamanufacturinginc.com [online], [site visited Sep. 15, 2016], <URL: http://www.omegamanufacturinginc.com/Omega-Mfg-AR-15-Key-Mod-KeyMod-Free-Float-15-Extended-Rifle-Length-Handguard-Rail_p_518.html>, 3 pages.
 Sig Sauer X-Collapsible Stock for MCX MPX, Ranier Arms, [online], [Site visited Sep. 30, 2016], <URL: <https://www.ranierarms.com/sig-sauer-x-collapsible-stock-for-mcx-mpx>>, 2 pages.
 Stock, Folding, MPX, 1913 Interface, [online], [site visited Sep. 30, 2016], <URL: <https://www.bullzie.com/product/stock-folding-mpx-1913-interface/>>, 5 pages.

(56)

References Cited

OTHER PUBLICATIONS

Are these the new SIG 556 rifles for 2014?, Guns.com, by Max Slowik, posted Jan. 8, 2014, [online], [site visited Sep. 9, 2016], <URL: <http://www.guns.com/2014/01/08/new-sig-556-rifles-2014/>>, 8 pages.

Does any know if they plan to produce this version?, SIGforum.com, posted by bhead, posted Jan. 2, 2016 03:08 PM, [online], [site visited Sep. 30, 2016], <URL: <http://sigforum.com/eve/forums/a/tpc/f/320601935/m/4610068653/p/87>>, 12 pages.

Collapsing/Telescoping Stock—MCX/MPX, SIG SAUER, SIG Store, [online], [site visited Sep. 30, 2016], <URL: <http://store.sigsauer.com/collapsing-telescoping-stock-mcx-mpx.html>>, 1 page.

SIG SAUER MPX (Update: Exclusive Non-NFA version P7), SIGforum, Found a picture with the folding stock, doesn't look half bad., posted by Andyb, posted Nov. 1, 2015 07:43 AM [online] [site visited Sep. 30, 2016], <URL: <http://sigforum.com/eve/forums/a/tpc/f/320601935/p/55>>, 8 pages.

MDM—SIG SAUER, Soldier Systems, entry posted Wednesday, Sep. 23, 2015 at 20:05 [online], [site visited Sep. 30, 2016], <URL: <http://soldiersystems.net/2015/09/23/mdm-sig-sauer/>>, 2 pages.

Thin Folding Stock, MCX, MPX, 1913 Interface, SIG SAUER, SIG Store, [online], [site visited Sep. 30, 2016], <URL: <http://store.sigsauer.com/thin-folding-stock-mcx-mpx-1913-interface-7856.html>>, 1 page.

WTS: Sig Sauer MCX/MPX Side Folding Stock, AR15.com, posted by thanatos8541, posted Nov. 3, 2015 8:07:01 PM EDT, [online], [site visited Sep. 30, 2016], <URL: <http://www.ar15.com/archive/topic.html?n=7&f=47&t=1485416>>, 2 pages.

For Sale: Sig MPX folding stock, Armslist.com, registered on Sep. 21, 2015, [online], [site visited Sep. 30, 2016], <URL: <http://www.armslist.com/posts/4879553/st-louis-missouri-gun-parts-for-sale-sig-mpx-folding-stock>>, 1 page.

Telescoping/Folding Stock for the SIG MPX and SIG MCX, SIG SAUER, Inc., Youtube, published on Dec. 11, 2015, [online], [site visited Sep. 30, 2016], <URL: <https://www.youtube.com/watch?v=4nayEomcEKg&feature=youtuve>>.

SIG SAUER Telescoping/Folding Stock, MCX, MPX, BLK, SIG SAUER, SIG Store, [online], [site visited Sep. 30, 2016], <URL: <http://store.sigsauer.com/sig-sauer-side-folding-and-telescoping-stock-mcx-mpx.html>>, 1 page.

Here's what I received today. Definitely not the original stock they listed., SIGforum.com, posted by bhead, posted Jan. 2, 2016 02:57 PM, [online], [site visited Sep. 30, 2016], <URL: <http://sigforum.com/eve/forums/a/tpc/f/320601935/m/4610068653/p/87>>, 12 pages.

* cited by examiner

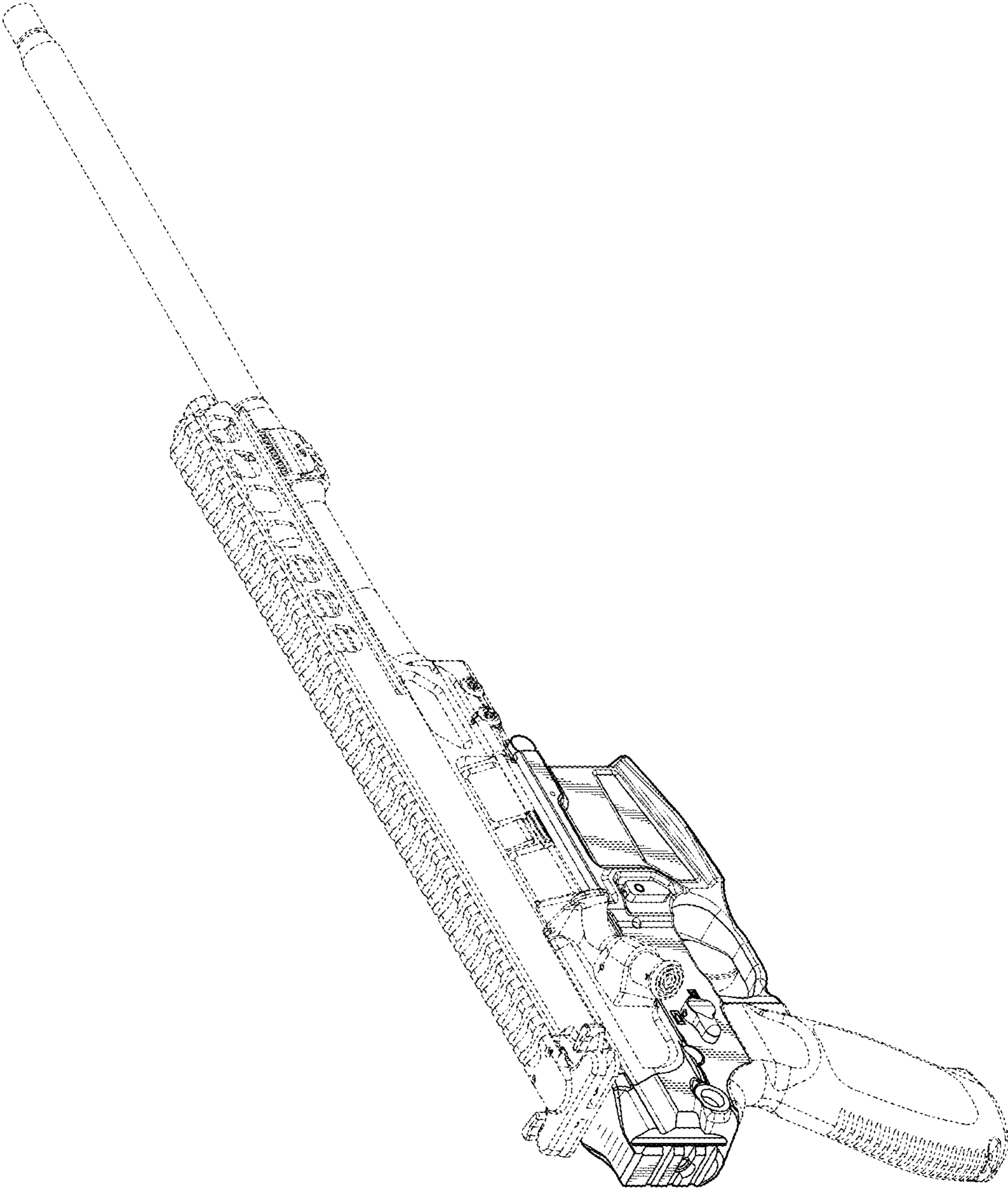


FIG. 1

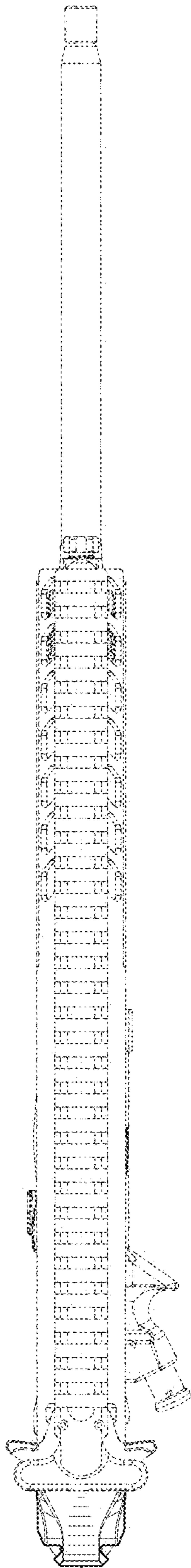


FIG. 2

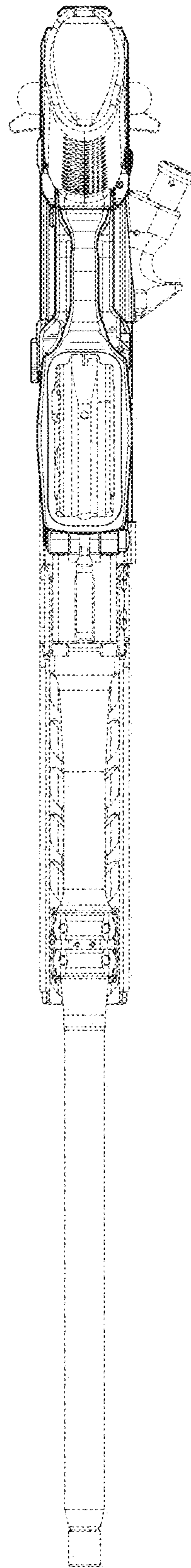


FIG. 3

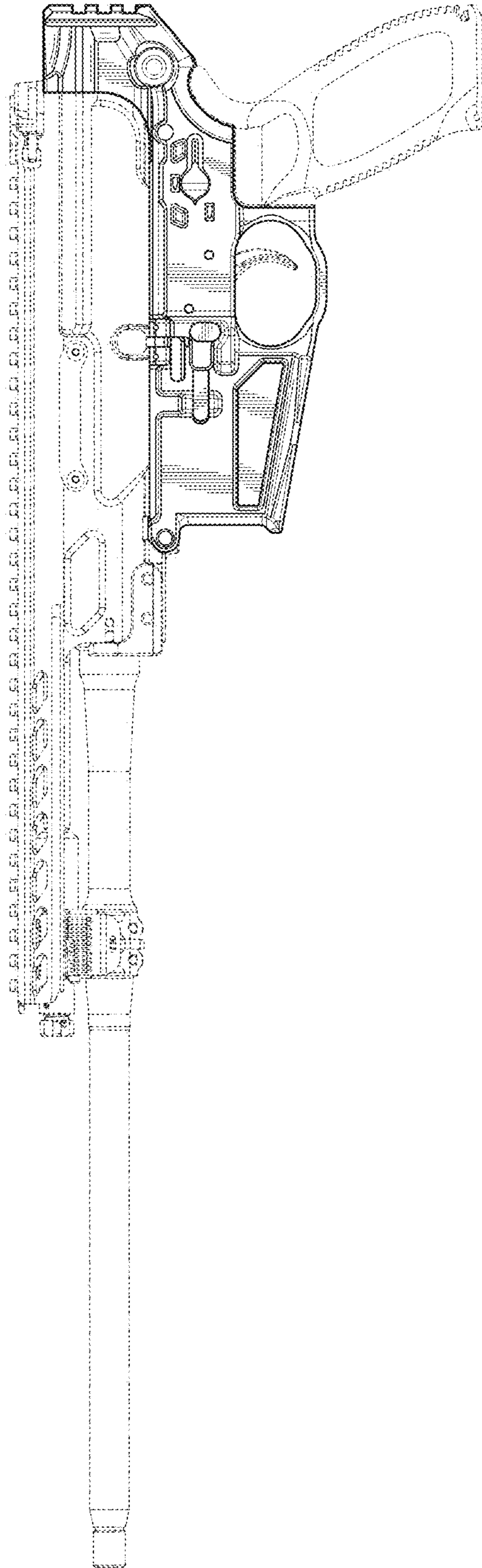


FIG. 4

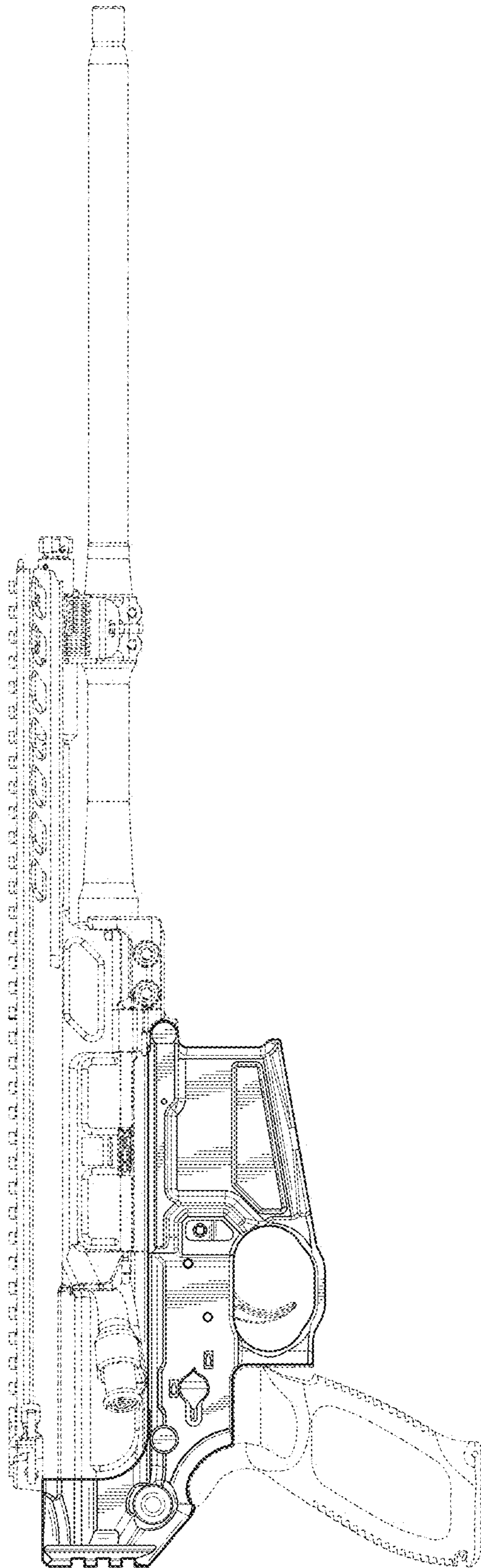


FIG. 5

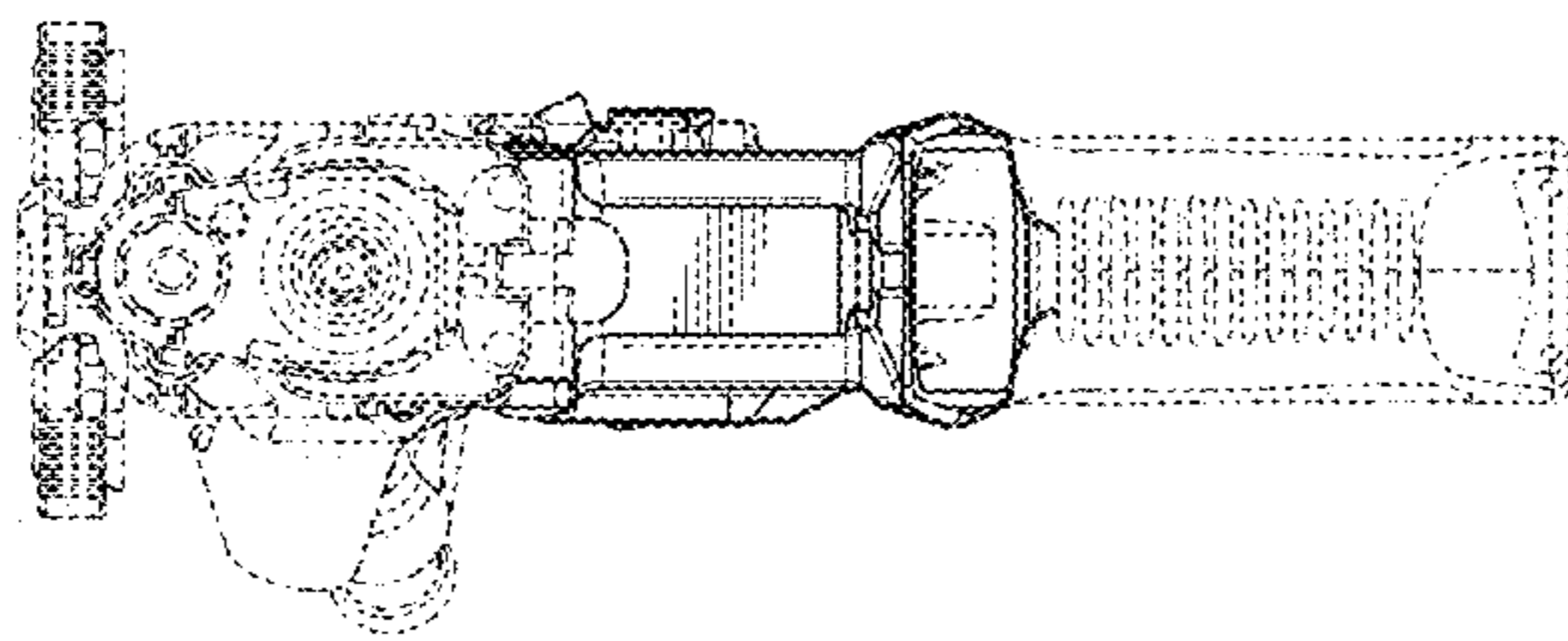


FIG. 6

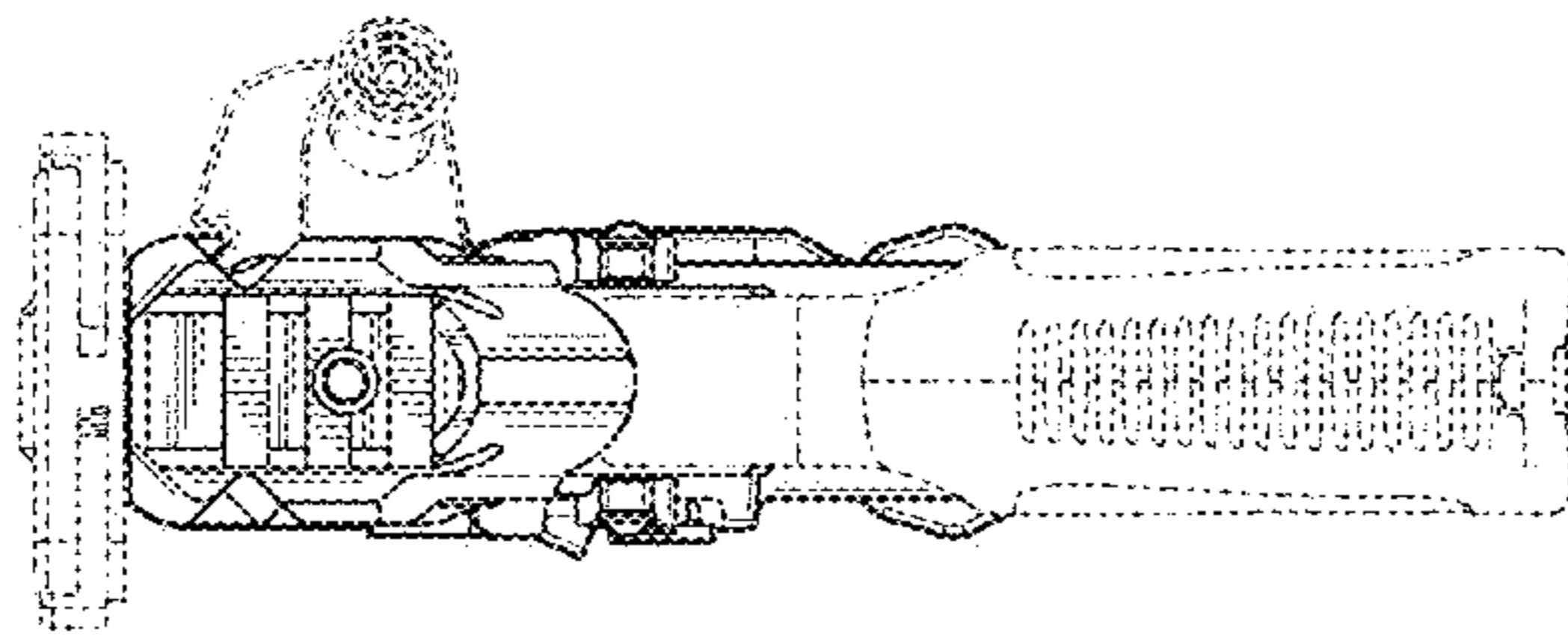


FIG. 7