



US00D870834S

(12) **United States Design Patent**
Hsu et al.

(10) **Patent No.:** **US D870,834 S**

(45) **Date of Patent:** **** Dec. 24, 2019**

- (54) **INFLATABLE CARRIAGE FLOAT**
- (71) Applicant: **Intex Marketing Ltd.**, Tortola (VG)
- (72) Inventors: **Yaw Yuan Hsu**, Fujian (CN); **Kun Chao Hsu**, Fujian (CN)
- (73) Assignee: **Intex Marketing Ltd.**, Tortola (VG)
- (**) Term: **15 Years**
- (21) Appl. No.: **29/655,753**
- (22) Filed: **Jul. 6, 2018**

- D437,023 S * 1/2001 Gourchounian D21/835
- D437,380 S * 2/2001 Gourchounian D21/835
- D439,946 S * 4/2001 Gourchounian D21/835
- D460,141 S * 7/2002 Gourchounian D21/820
- 6,565,405 B2 5/2003 Hsu
- D478,955 S 8/2003 Chen
- D504,487 S * 4/2005 Peterson D21/803
- D504,488 S * 4/2005 Peterson D21/803
- D509,877 S * 9/2005 Peterson D21/835
- D511,363 S * 11/2005 Nicholson D21/818
- D515,167 S * 2/2006 Capwell D21/803
- D556,287 S * 11/2007 Robinson D21/819
- D556,288 S * 11/2007 Robinson D21/815
- D556,849 S * 12/2007 Ferraro, Sr. D21/815
- D563,500 S * 3/2008 Gong D21/816

(Continued)

(30) **Foreign Application Priority Data**

Jan. 9, 2018 (CN) 2018 3 0008894

- (51) **LOC (12) Cl.** **21-03**
- (52) **U.S. Cl.**
USPC **D21/814**; D21/835
- (58) **Field of Classification Search**
USPC D21/811, 814, 828, 831-833, 835
CPC A63H 3/06; A45B 19/02; E04H 15/20;
E04H 2015/201; E04H 2015/202; E04H
2015/203; E04H 2015/204; E04H 15/324
See application file for complete search history.

(56) **References Cited**

U.S. PATENT DOCUMENTS

- 5,462,505 A * 10/1995 Blair A63B 5/11
472/134
- 5,512,002 A * 4/1996 Lieberman A63H 3/06
446/221
- 5,678,357 A * 10/1997 Rubio E04H 15/20
40/212
- D389,217 S * 1/1998 Rubio D21/814
- D393,686 S * 4/1998 Coddington, Jr. D21/814
- D394,474 S * 5/1998 Horne D21/835
- D417,481 S * 12/1999 Schwartz D12/401
- D422,667 S * 4/2000 Lau D21/814
- D437,022 S * 1/2001 Gourchounian D21/835

OTHER PUBLICATIONS

Intex, 2014 "Summer to Remember" Catalog, Copyright 2013, 4 pages.

Primary Examiner — Mitchell I. Siegel
(74) *Attorney, Agent, or Firm* — Faegre Baker Daniels LLP

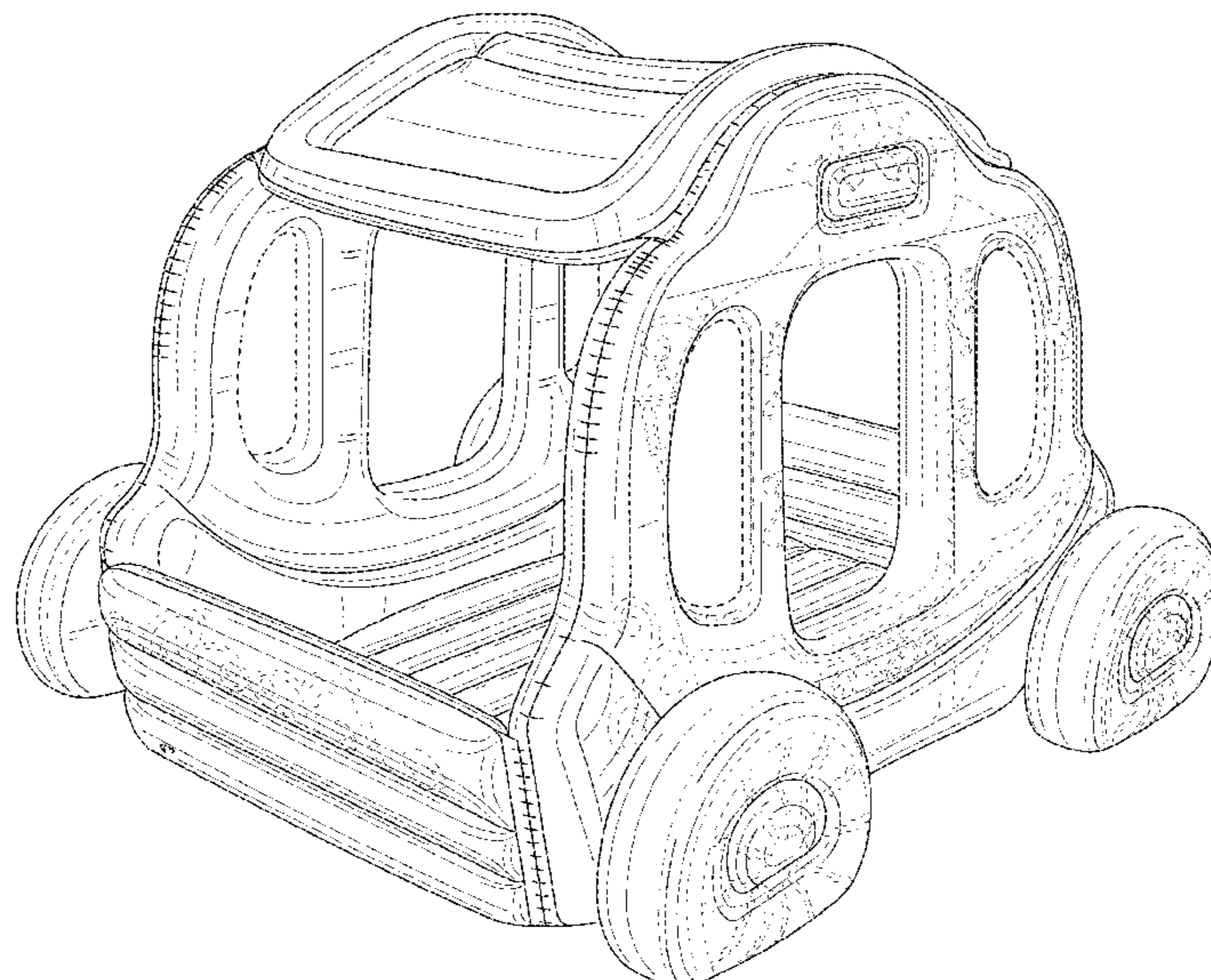
(57) **CLAIM**

We claim the ornamental design for an inflatable carriage float, as shown and described.

DESCRIPTION

FIG. 1 is a perspective view of an inflatable carriage float; FIG. 2 is a front elevational view thereof; FIG. 3 is a rear elevational view thereof; FIG. 4 is a left side elevational view thereof; FIG. 5 is a right side elevational view thereof; FIG. 6 is a top plan view thereof; and, FIG. 7 is a bottom plan view thereof. The broken lines shown are included for the purpose of illustrating unclaimed subject matter and forms no part of the claimed design.

1 Claim, 7 Drawing Sheets



(56)

References Cited

U.S. PATENT DOCUMENTS

D595,801	S	*	7/2009	Boulton	D21/819
D595,802	S	*	7/2009	Boulton	D21/835
D597,163	S	*	7/2009	Boulton	D21/819
D597,624	S	*	8/2009	Boulton	D21/819
D600,769	S	*	9/2009	Xiao	D21/820
D600,770	S	*	9/2009	Xiao	D21/820
D627,848	S	*	11/2010	Cline	D21/814
7,878,877	B2		2/2011	Scherba		
D639,886	S	*	6/2011	Cirjak	D21/811
D680,184	S	*	4/2013	O'Rourke	D21/835
D689,159	S	*	9/2013	Wagoner	D21/835
D744,053	S	*	11/2015	Cirjak	D21/835
D746,395	S	*	12/2015	Rademacher	D21/835
D762,800	S	*	8/2016	Scherba	D21/811
D762,801	S	*	8/2016	Scherba	D21/811
D787,618	S		5/2017	Hsu		
D803,340	S	*	11/2017	Scherba	D21/814
D815,709	S	*	4/2018	Wang	D21/818
D822,140	S	*	7/2018	Hsu	D21/835
D822,782	S	*	7/2018	Wang	D21/820
D824,471	S	*	7/2018	Bagumyan	D21/818
D825,016	S	*	8/2018	Wang	D21/818

* cited by examiner

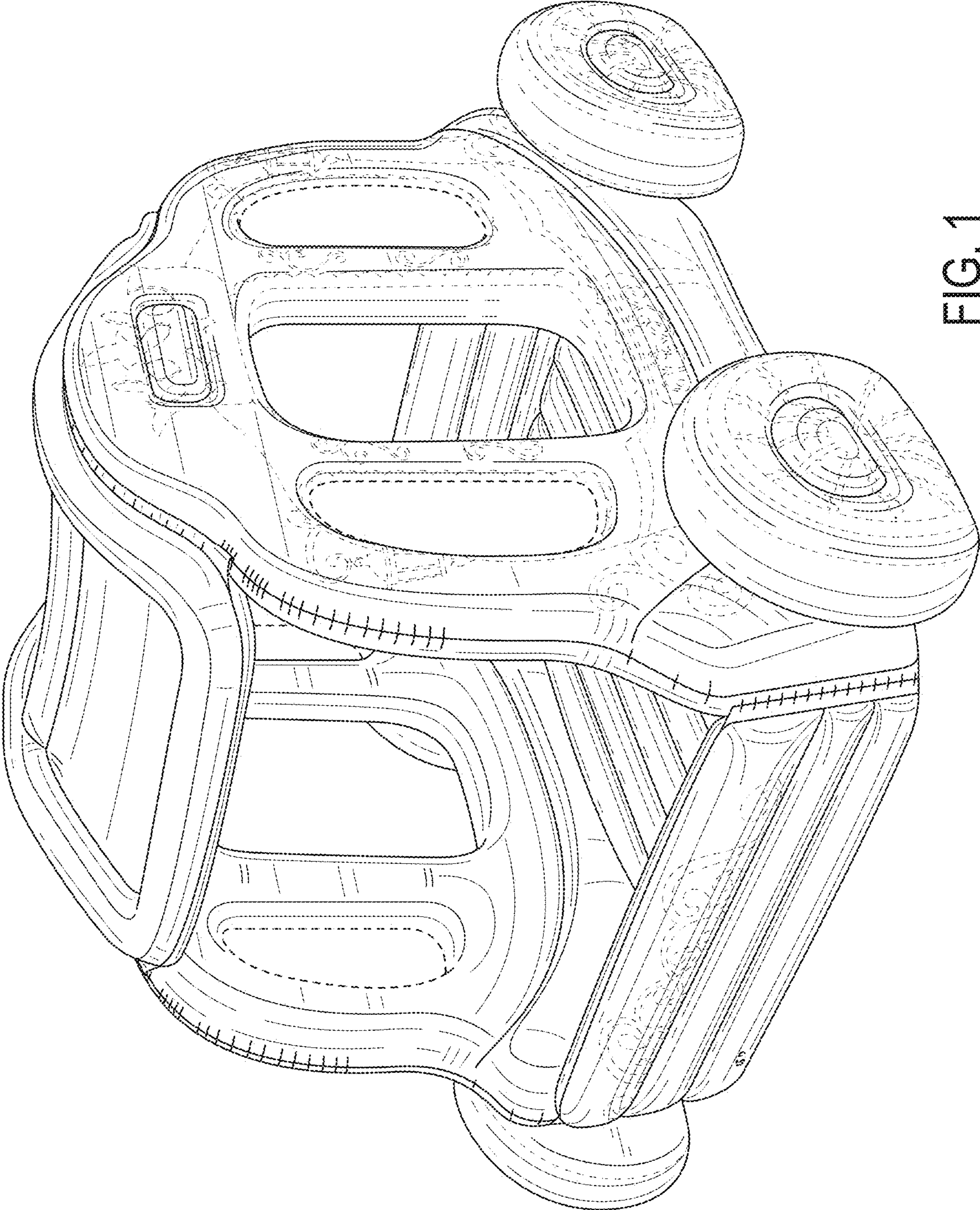


FIG. 1

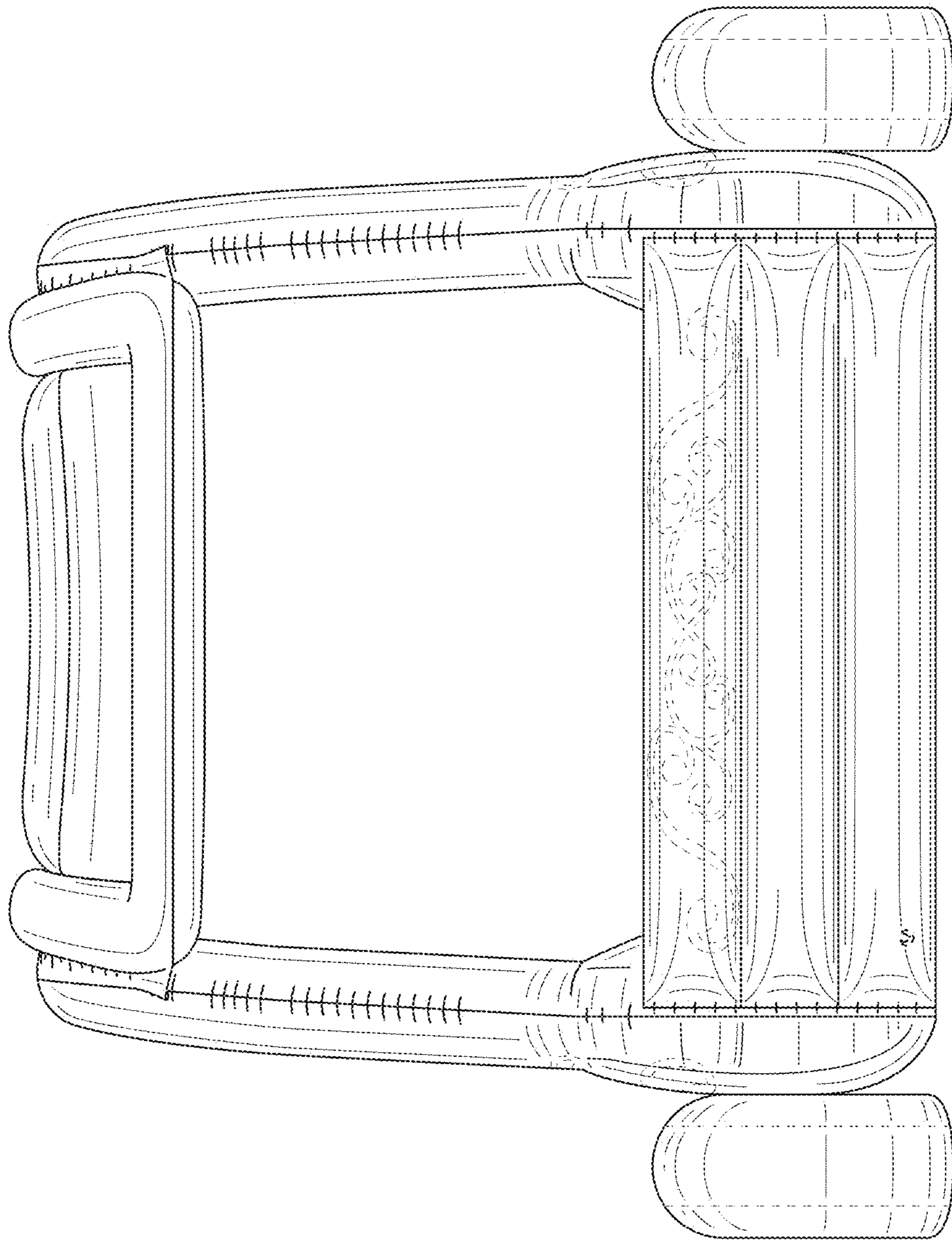


FIG. 2

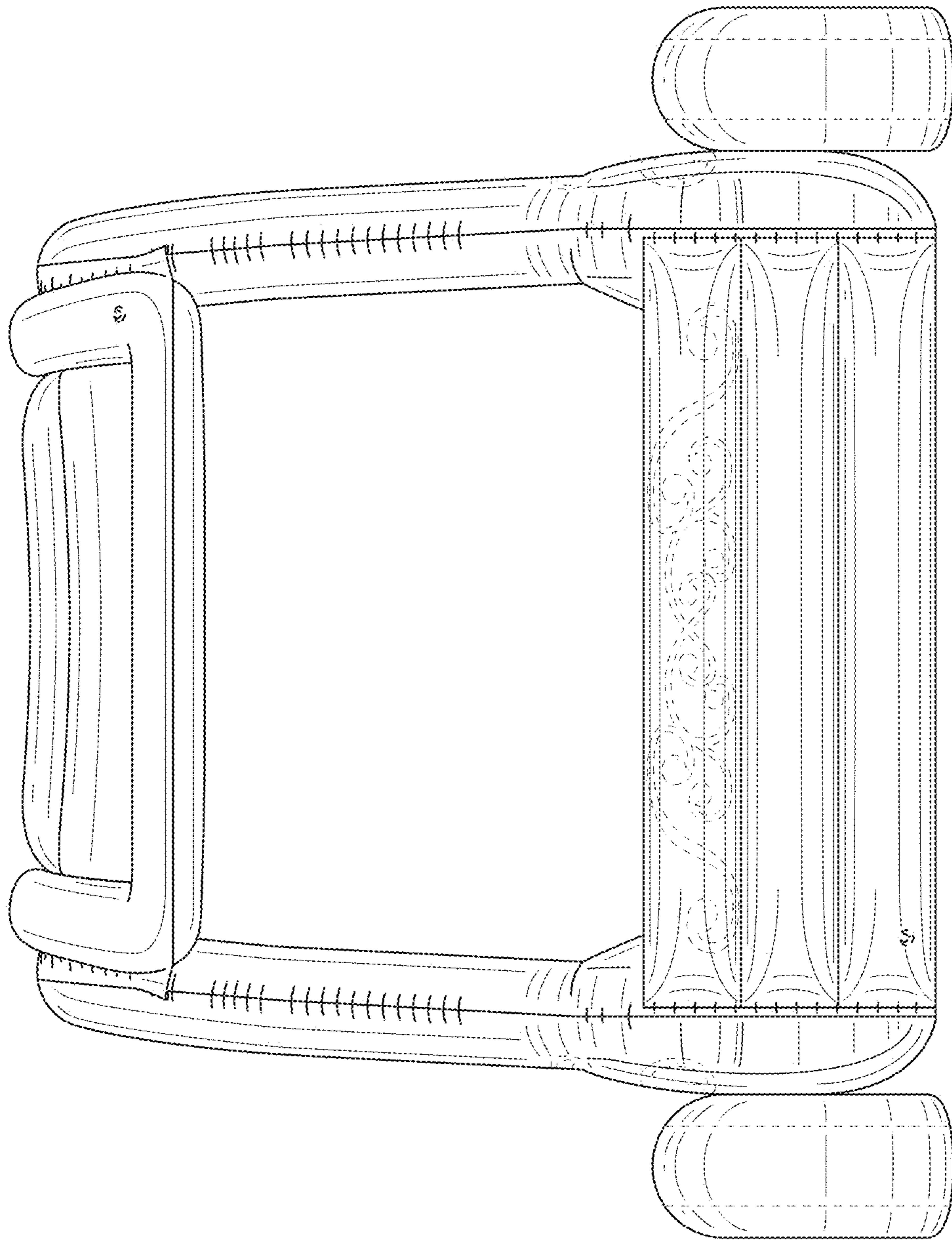


FIG. 3

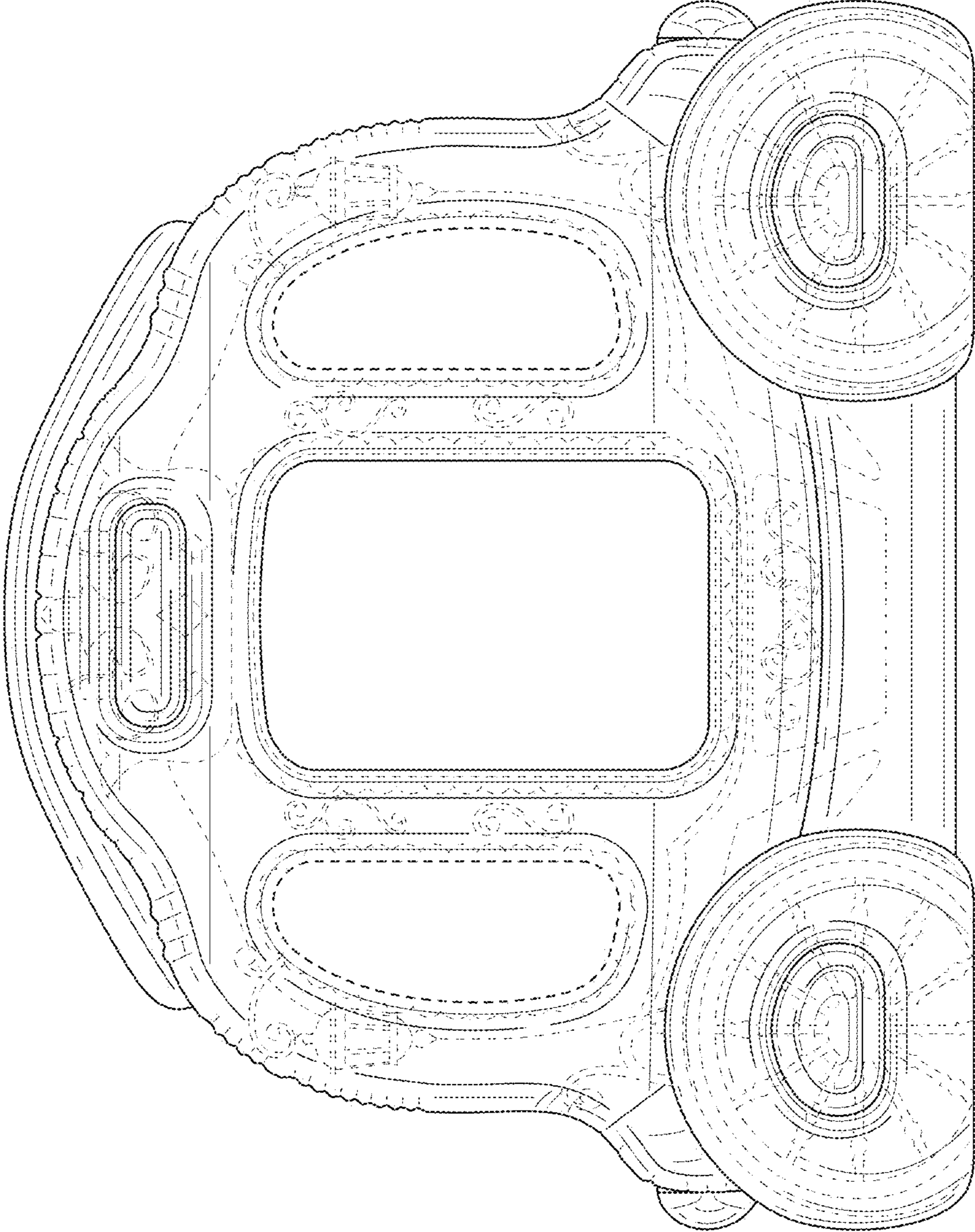


FIG. 4

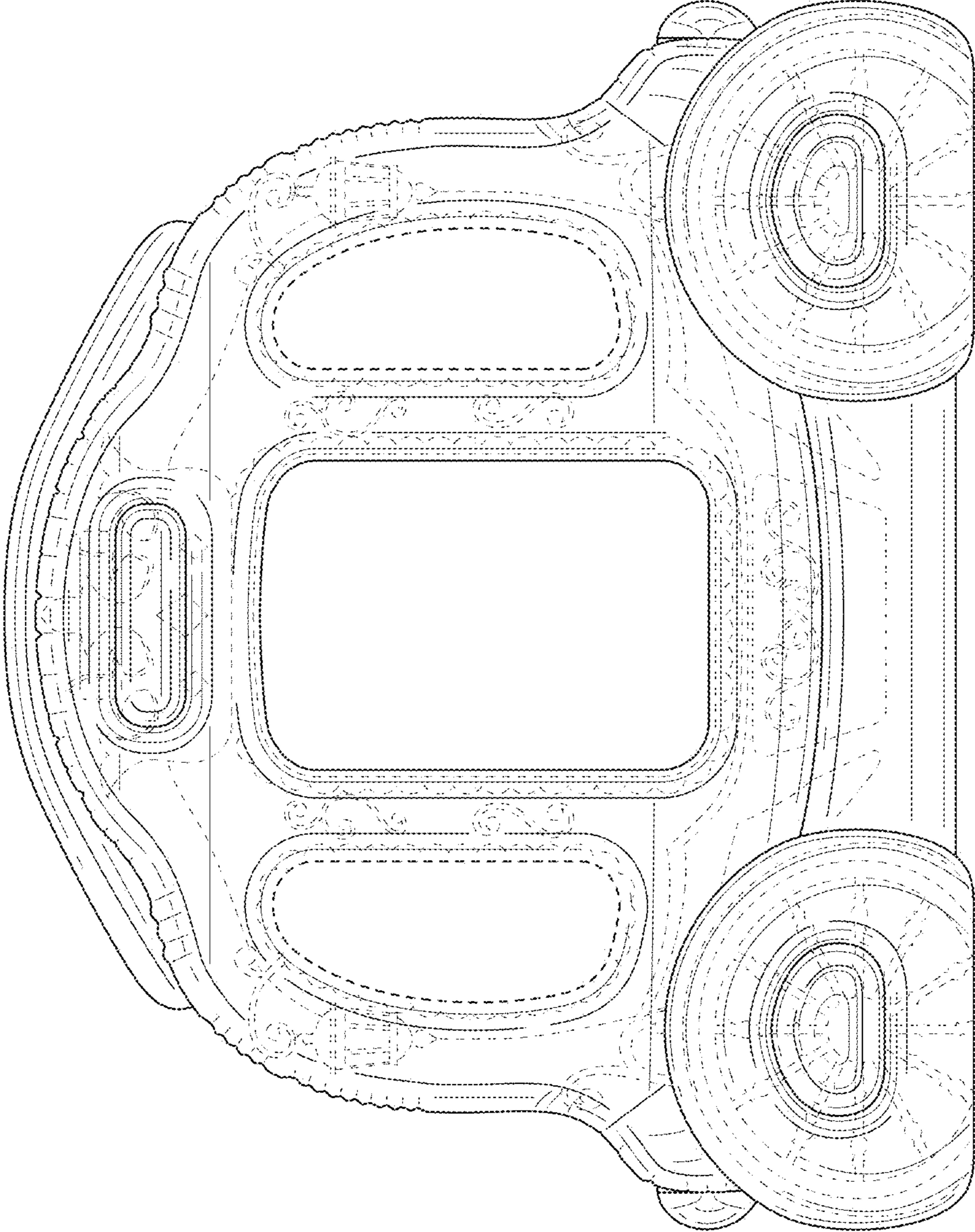


FIG. 5

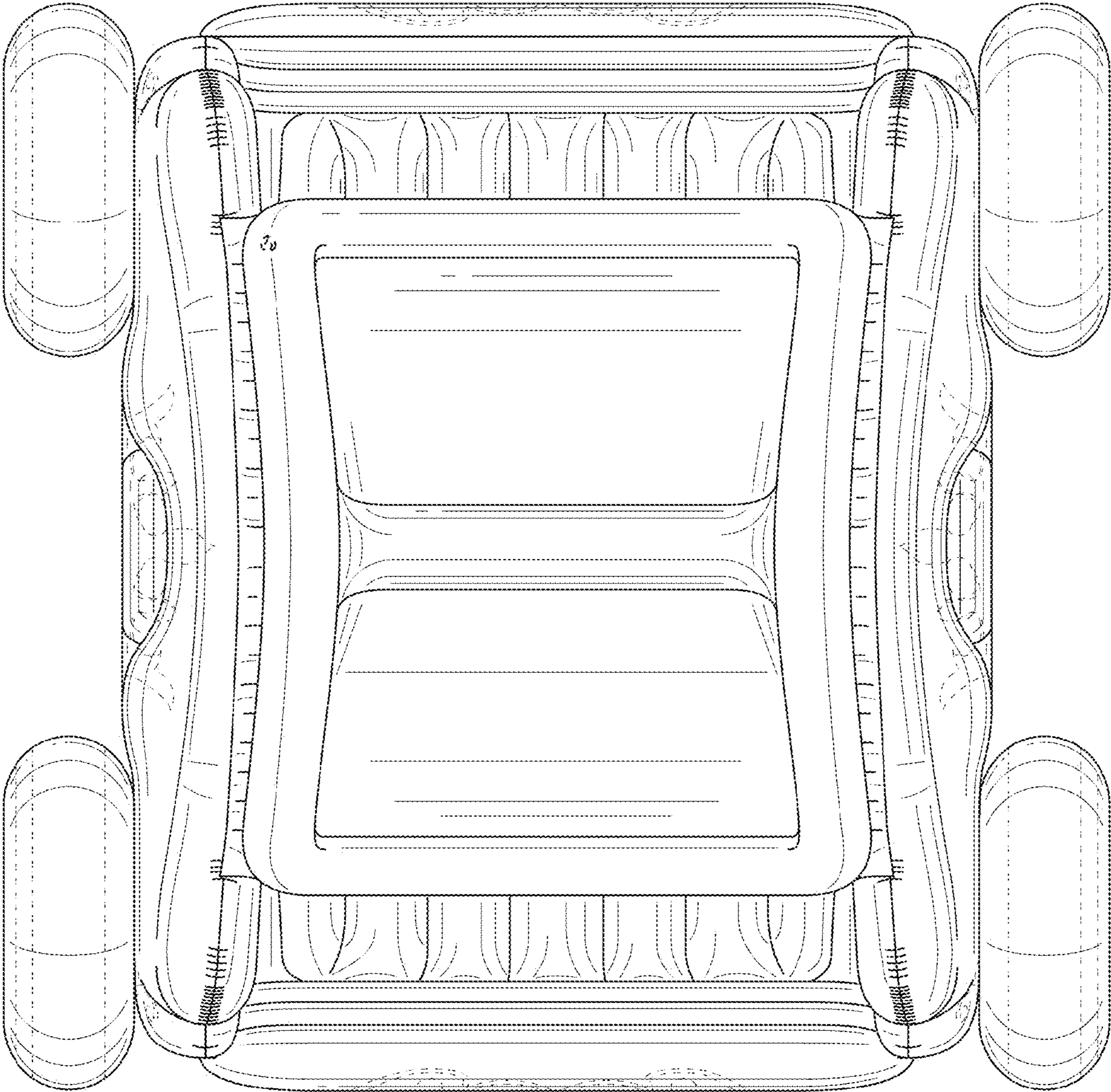


FIG. 6

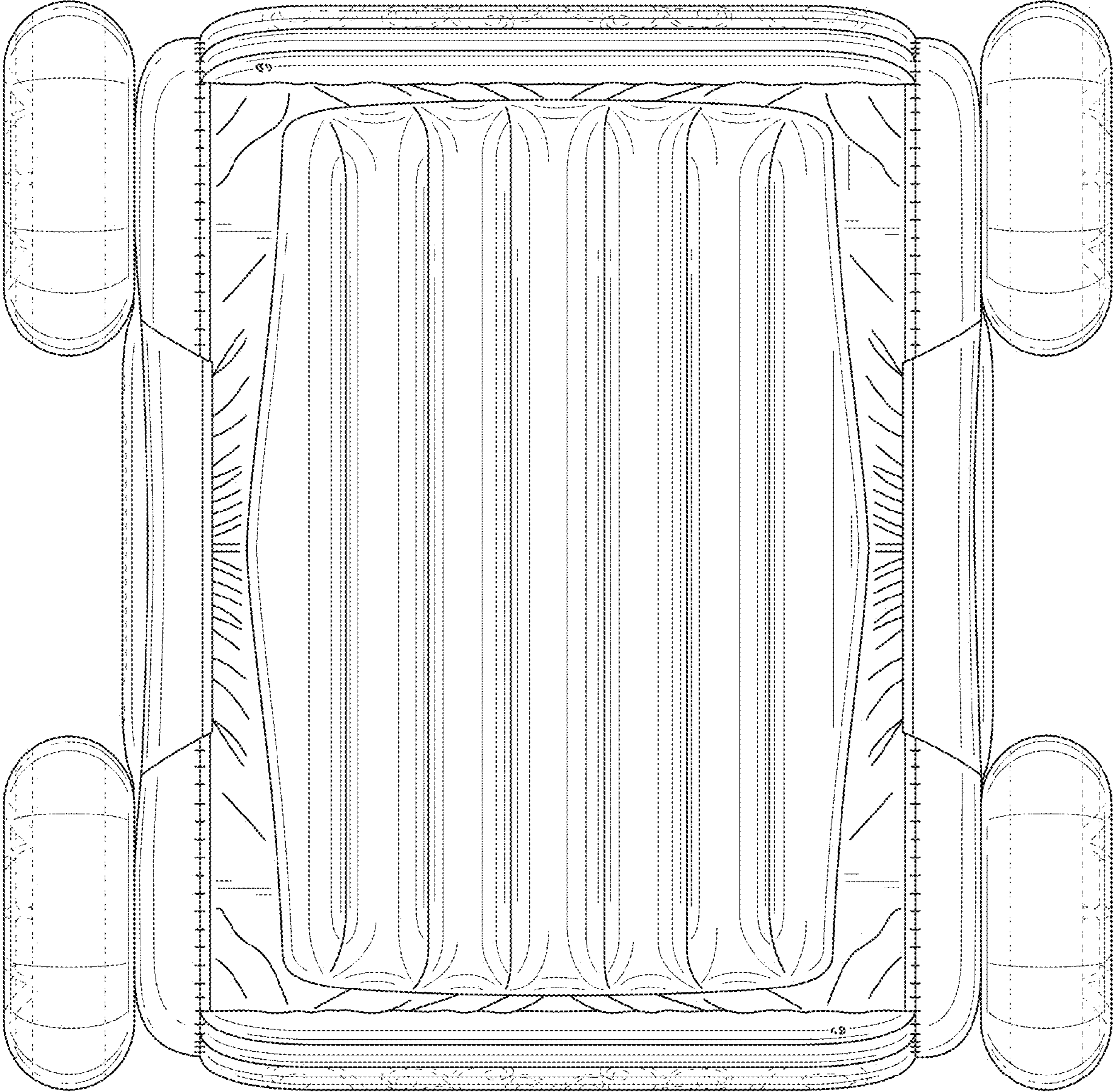


FIG. 7

UNITED STATES PATENT AND TRADEMARK OFFICE
CERTIFICATE OF CORRECTION

PATENT NO. : D870,834 S
APPLICATION NO. : 29/655753
DATED : December 24, 2019
INVENTOR(S) : Yaw Yuan Hsu et al.

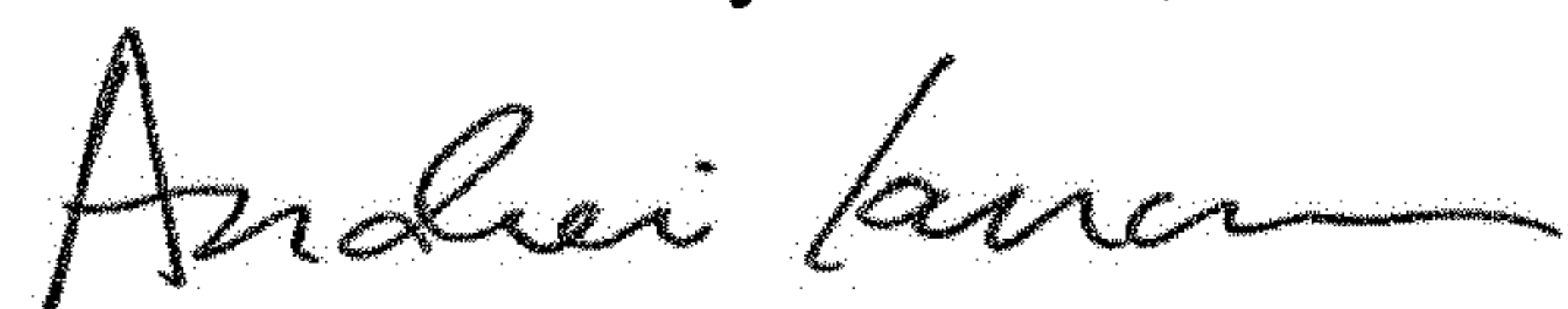
Page 1 of 1

It is certified that error appears in the above-identified patent and that said Letters Patent is hereby corrected as shown below:

On the Title Page

Column 1, item (30) under Foreign Application Priority Data, the foreign priority reference number is incomplete. Please amend to read "201830008894.8".

Signed and Sealed this
Thirtieth Day of June, 2020



Andrei Iancu
Director of the United States Patent and Trademark Office