



US00D870833S

(12) **United States Design Patent**
Liu

(10) **Patent No.:** **US D870,833 S**

(45) **Date of Patent:** **** Dec. 24, 2019**

(54) **FLOTATION DEVICE WITH SURFACE ORNAMENTATION**

D428,466 S * 7/2000 Langley, III D21/808
D455,928 S 4/2002 Fisher et al.
D775,295 S * 12/2016 Wampold D1/106

(71) Applicant: **Kai Liu**, Dublin, OH (US)

* cited by examiner

(72) Inventor: **Kai Liu**, Dublin, OH (US)

Primary Examiner — Zenia I Bennett

(**) Term: **15 Years**

(74) *Attorney, Agent, or Firm* — Dunlap Bennett & Ludwig PLLC

(21) Appl. No.: **29/660,708**

(57) **CLAIM**

(22) Filed: **Aug. 22, 2018**

The ornamental design for a flotation device with surface ornamentation, as shown and described.

(51) **LOC (12) Cl.** **21-02**

DESCRIPTION

(52) **U.S. Cl.**

USPC **D21/809**

(58) **Field of Classification Search**

USPC D21/801, 803, 808, 809; D6/392, 595,
D6/596, 601, 604, 605

CPC B63B 35/79; B63B 35/73; B63B 1/00;
B63B 35/76

See application file for complete search history.

FIG. 1 is a top perspective view of a flotation device with surface ornamentation, showing my new design;
FIG. 2 is a top plan view thereof;
FIG. 3 is a bottom plan view thereof;
FIG. 4 is a front elevation view thereof;
FIG. 5 is a rear elevation view thereof;
FIG. 6 is a right elevation view thereof; and,
FIG. 7 is a left elevation view thereof.

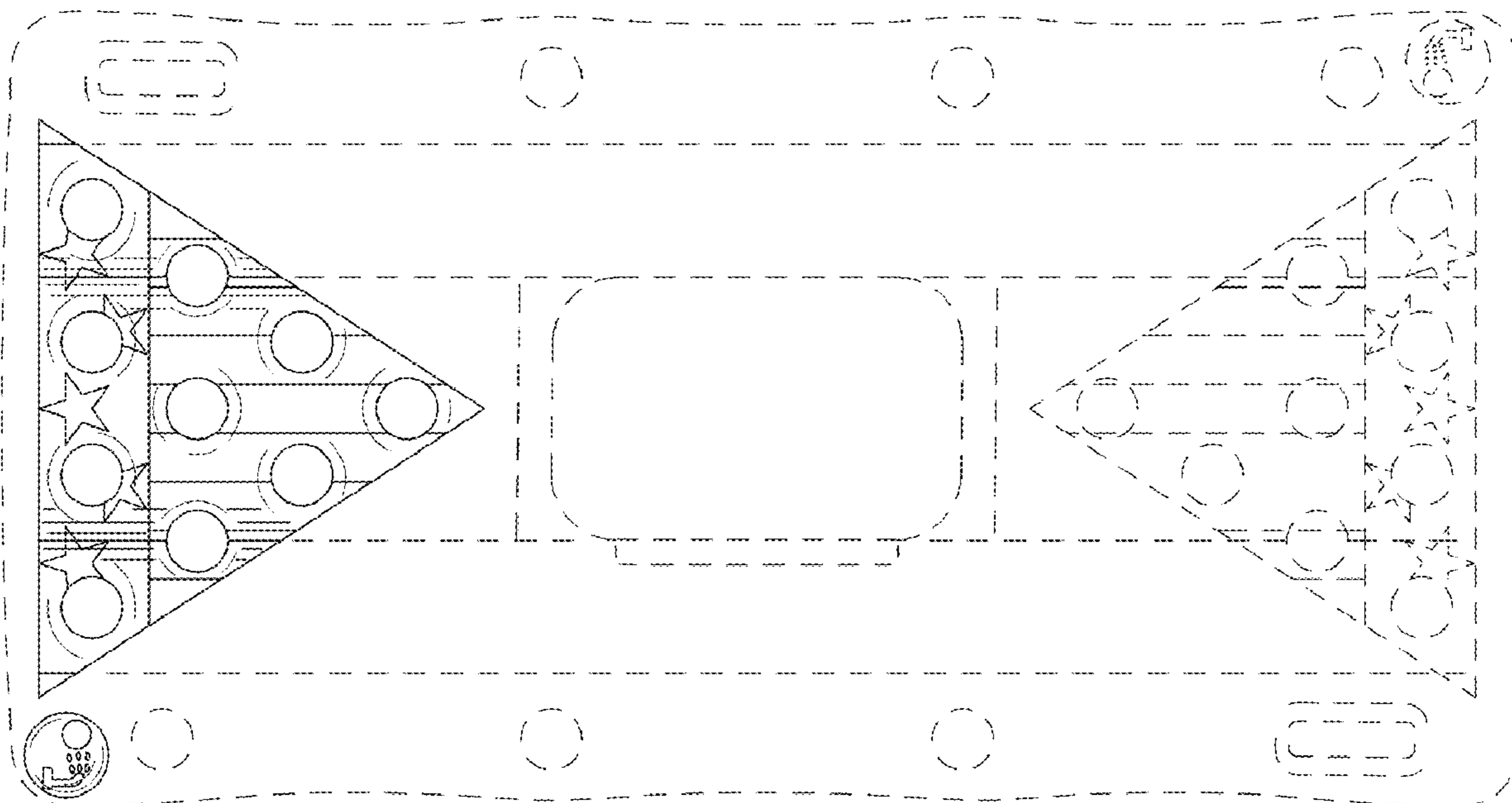
The broken lines in the drawing depicting portions of the floatation device with surface ornamentation are for illustrative purposes only and form no part of the claimed design.

(56) **References Cited**

U.S. PATENT DOCUMENTS

D413,643 S * 9/1999 Langley, III D21/808

1 Claim, 3 Drawing Sheets



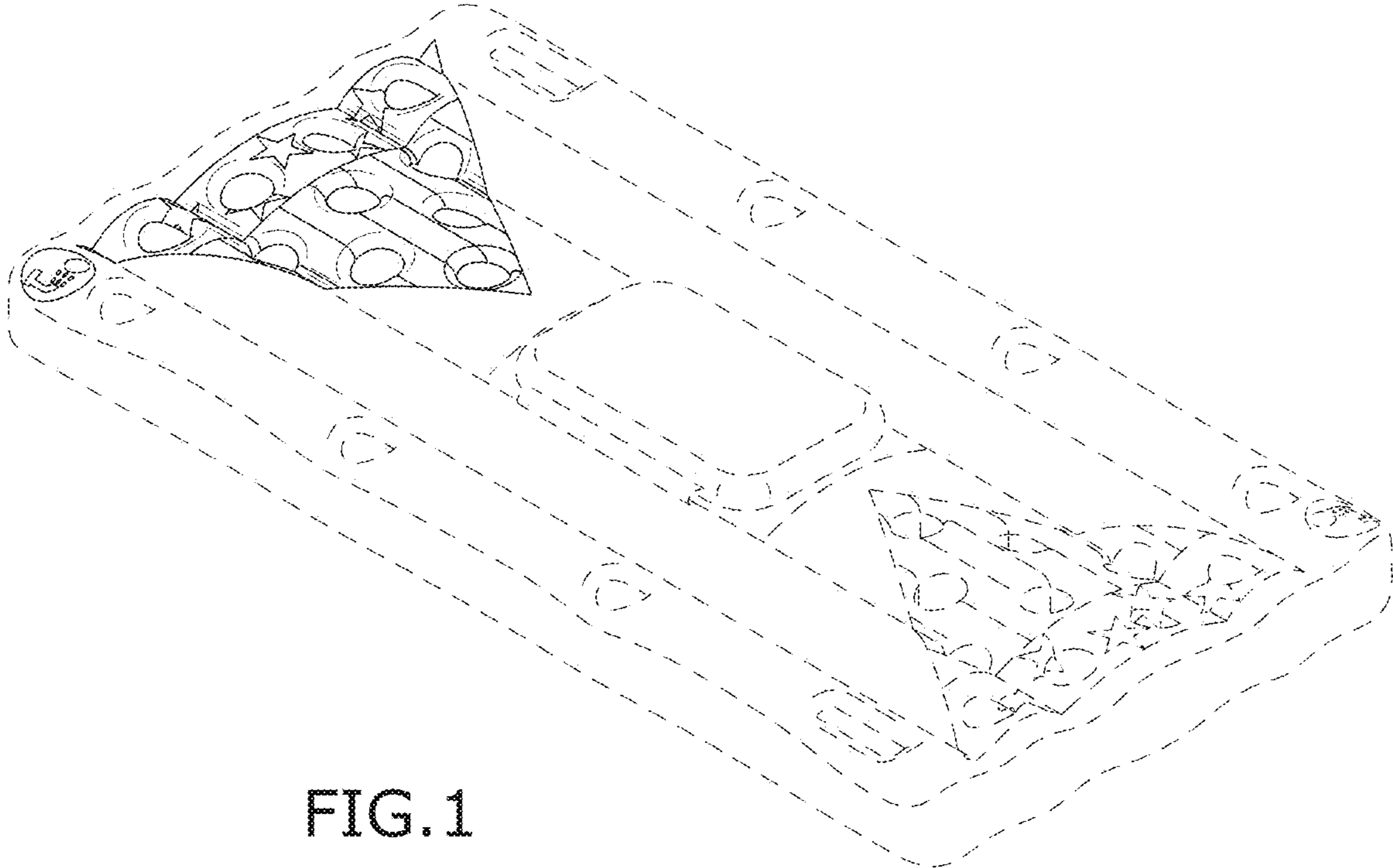


FIG. 1

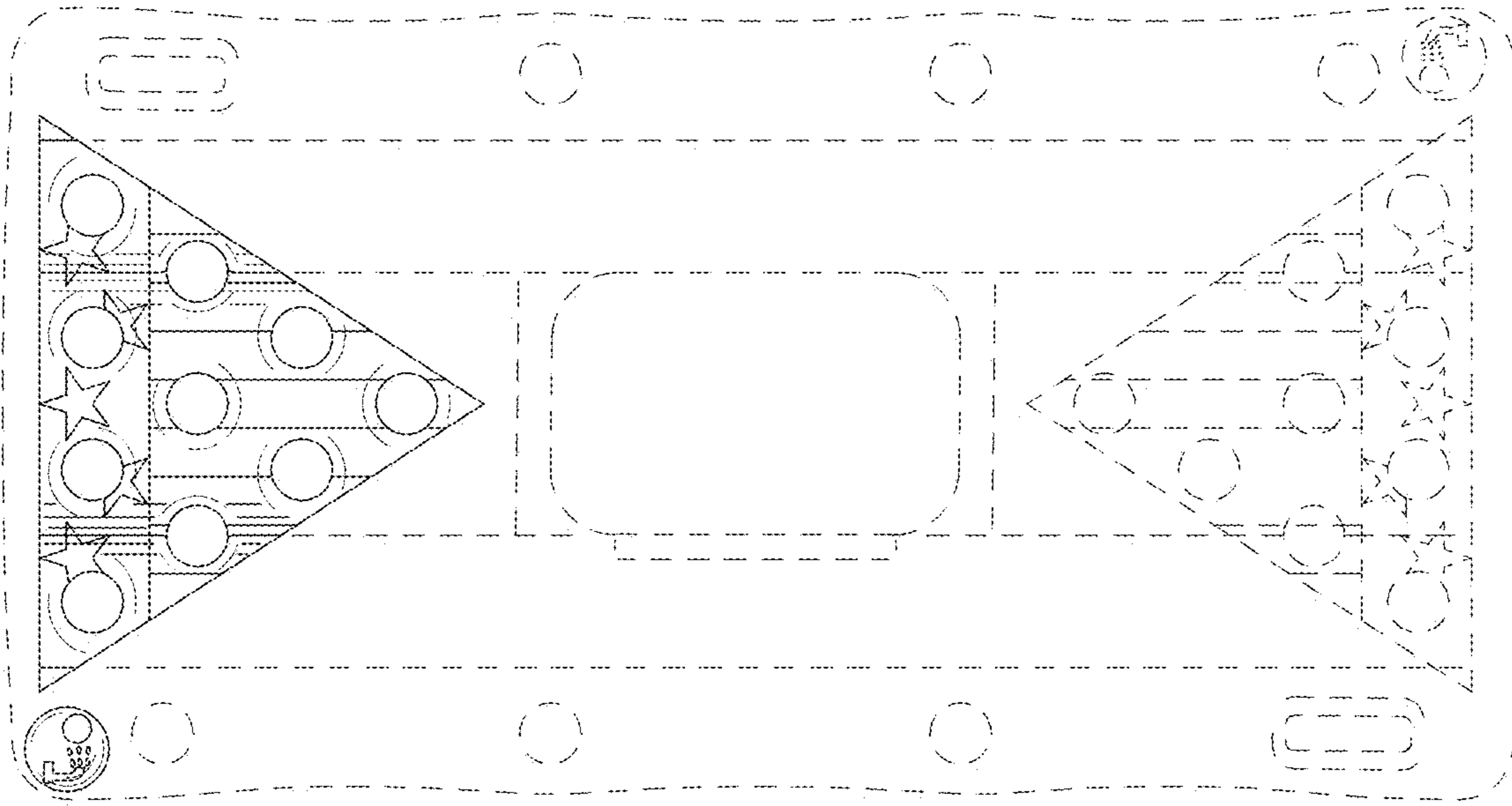


FIG. 2

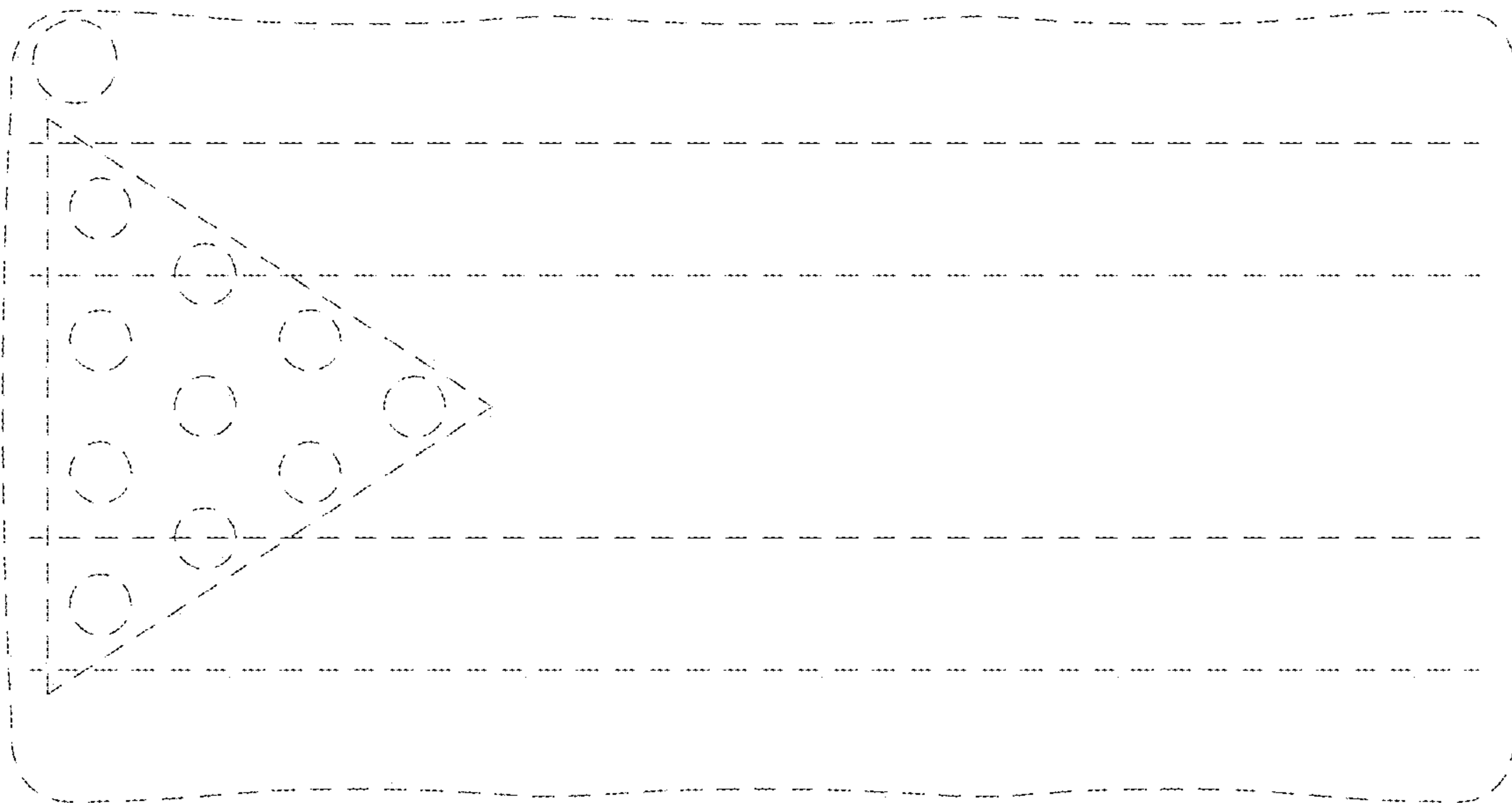


FIG. 3

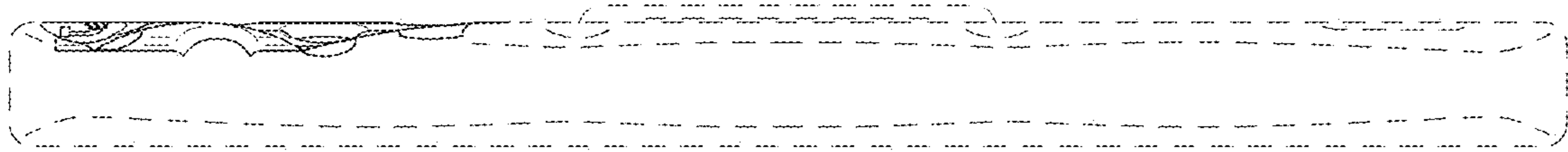


FIG. 4

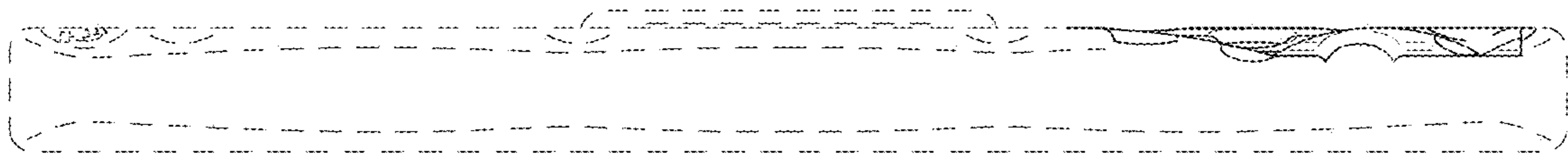


FIG. 5

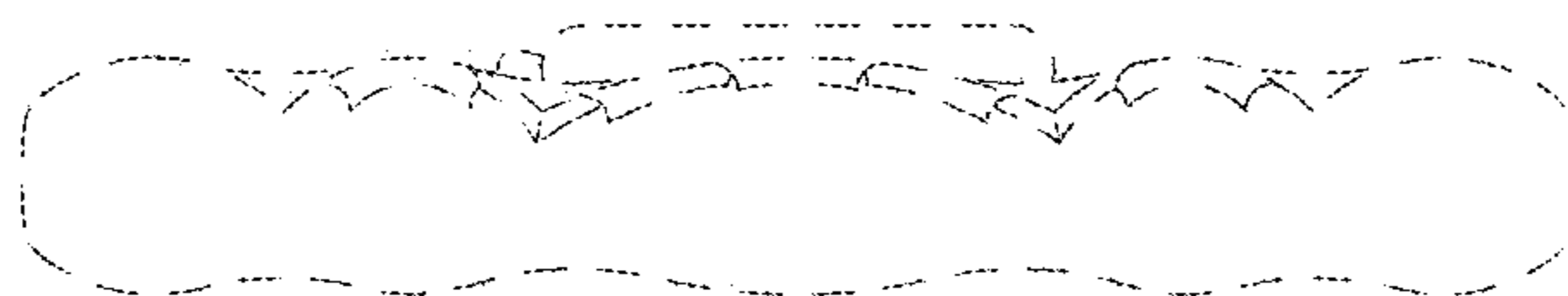


FIG. 6



FIG. 7