



US00D870832S

(12) **United States Design Patent**
Oh et al.

(10) **Patent No.:** **US D870,832 S**

(45) **Date of Patent:** **** Dec. 24, 2019**

(54) **GOLF DIVOT TOOL**

(71) Applicants: **Se Hoon Oh**, Los Angeles, CA (US);
Tae-Young Goh, Seoul (KR)

(72) Inventors: **Se Hoon Oh**, Los Angeles, CA (US);
Tae-Young Goh, Seoul (KR)

(**) Term: **15 Years**

(21) Appl. No.: **29/639,946**

(22) Filed: **Mar. 9, 2018**

(30) **Foreign Application Priority Data**

Sep. 22, 2017 (KR) 30-2017-0044522

(51) **LOC (12) Cl.** **21-02**

(52) **U.S. Cl.**
USPC **D21/793**

(58) **Field of Classification Search**
USPC D21/789, 793, 794
CPC A63B 57/00; A63B 57/50; A63B 57/12;
A63B 57/16; A63B 57/20; A63B 57/30;
A63B 57/35
See application file for complete search history.

(56) **References Cited**

U.S. PATENT DOCUMENTS

D209,973 S * 1/1968 Klitzner D21/793
D214,635 S * 7/1969 Reed D21/793
D215,668 S * 10/1969 Hedu D21/793
D225,756 S * 1/1973 Stephend D21/793
D234,150 S * 1/1975 Yaudes D21/793

D243,868 S * 3/1977 Williams, Jr. D21/793
D247,686 S * 4/1978 Desjardins D21/793
D257,441 S * 10/1980 Kravovich D21/793
D300,160 S * 3/1989 Johnson D21/793
5,409,212 A * 4/1995 Arnett A63B 57/00
473/404
D383,825 S * 9/1997 Rhodes D21/793
D391,318 S * 2/1998 Shah D21/793
D424,151 S * 5/2000 Miura D21/793
D434,825 S * 12/2000 Miura D21/793
D514,646 S * 2/2006 Lipic D21/793
D594,922 S * 6/2009 McLane D21/793
D605,720 S * 12/2009 McLane D21/793

* cited by examiner

Primary Examiner — Mitchell I. Siegel

(74) *Attorney, Agent, or Firm* — Heedong Chae; Lucem, PC

(57) **CLAIM**

The ornamental design for a golf divot tool, as shown and described.

DESCRIPTION

FIG. 1 is a top front perspective view of a golf divot tool showing our new design;
FIG. 2 is a front elevational view thereof;
FIG. 3 is a rear elevational view thereof;
FIG. 4 is a left side elevational view thereof;
FIG. 5 is a right side elevational view thereof;
FIG. 6 is a top plan view thereof;
FIG. 7 is a bottom plan view thereof; and,
FIG. 8 is an exploded bottom perspective view thereof.

1 Claim, 7 Drawing Sheets

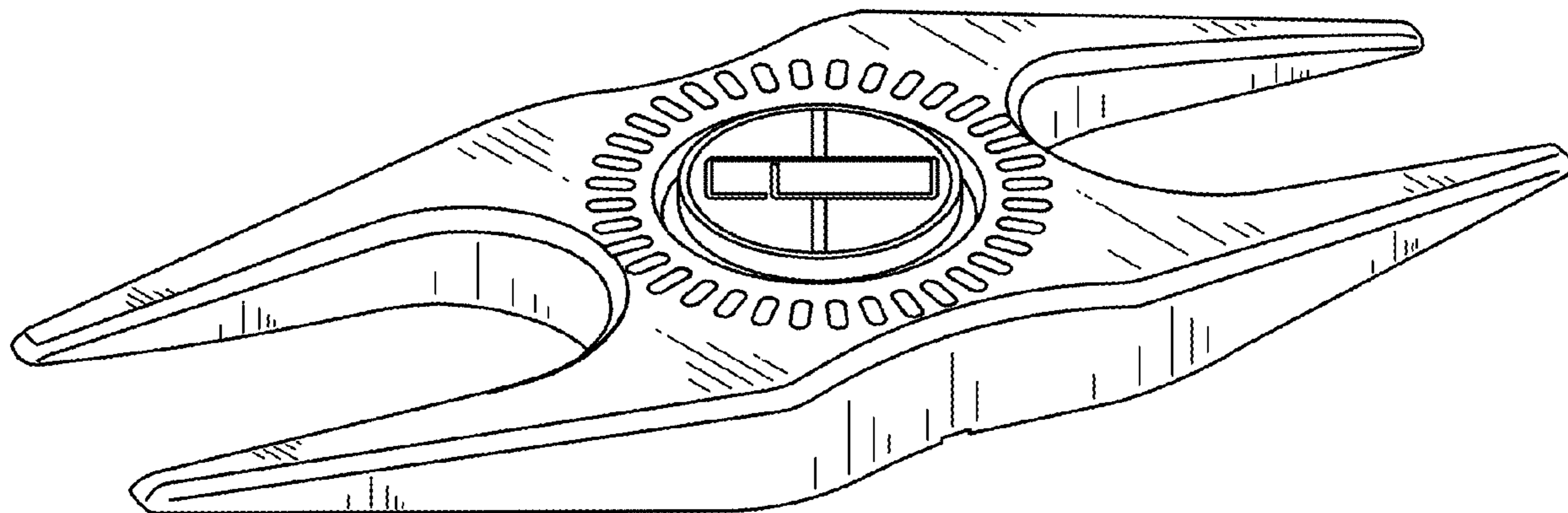


FIG. 1

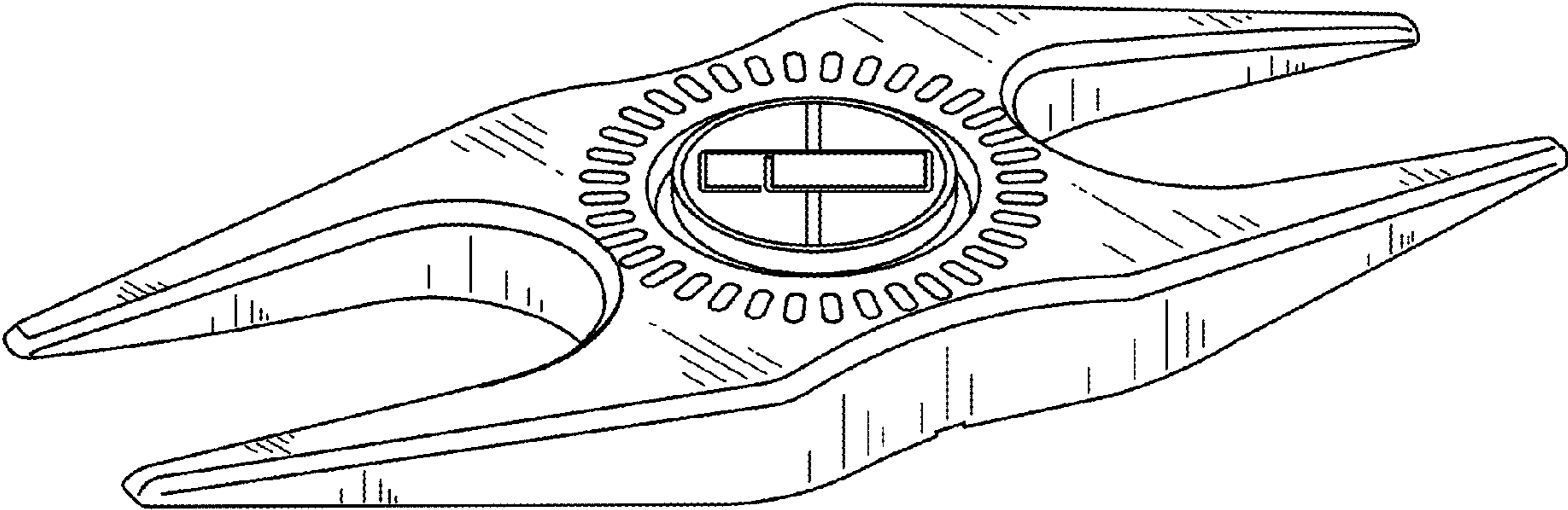


FIG. 2

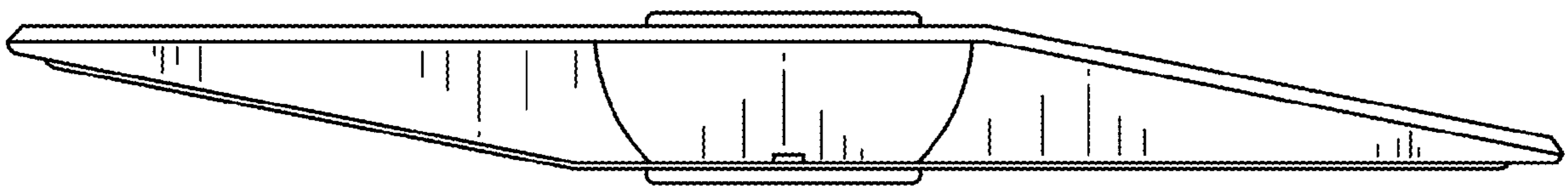


FIG. 3

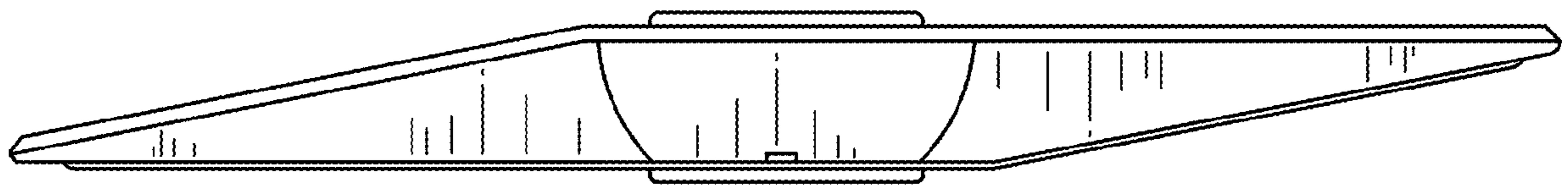


FIG. 4

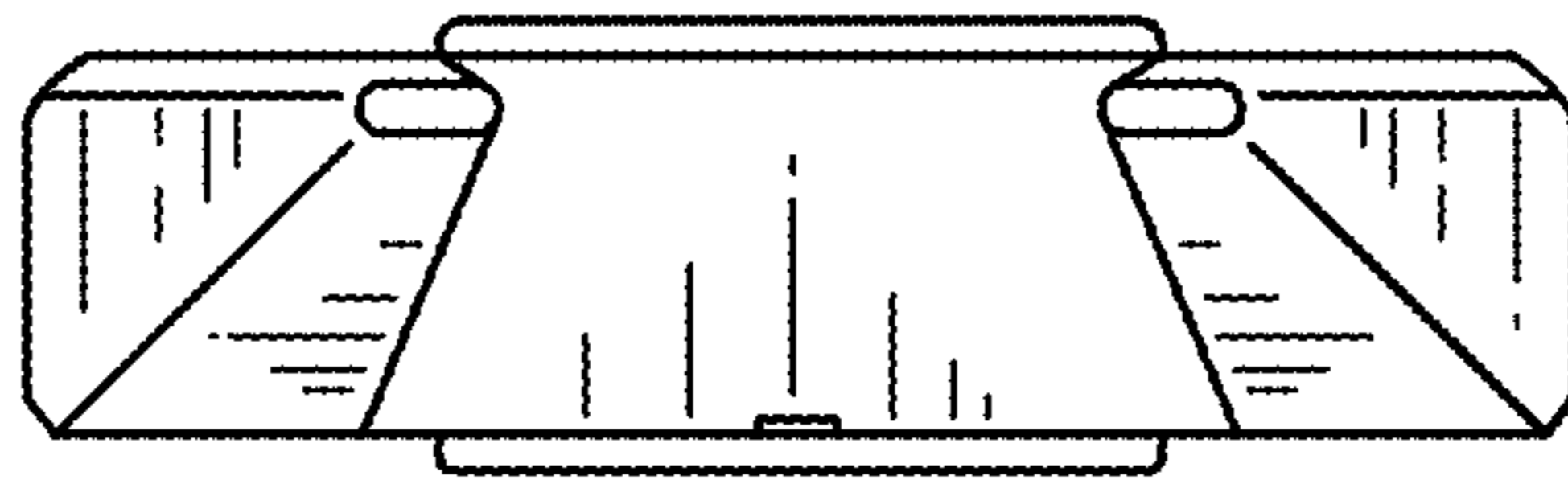


FIG. 5

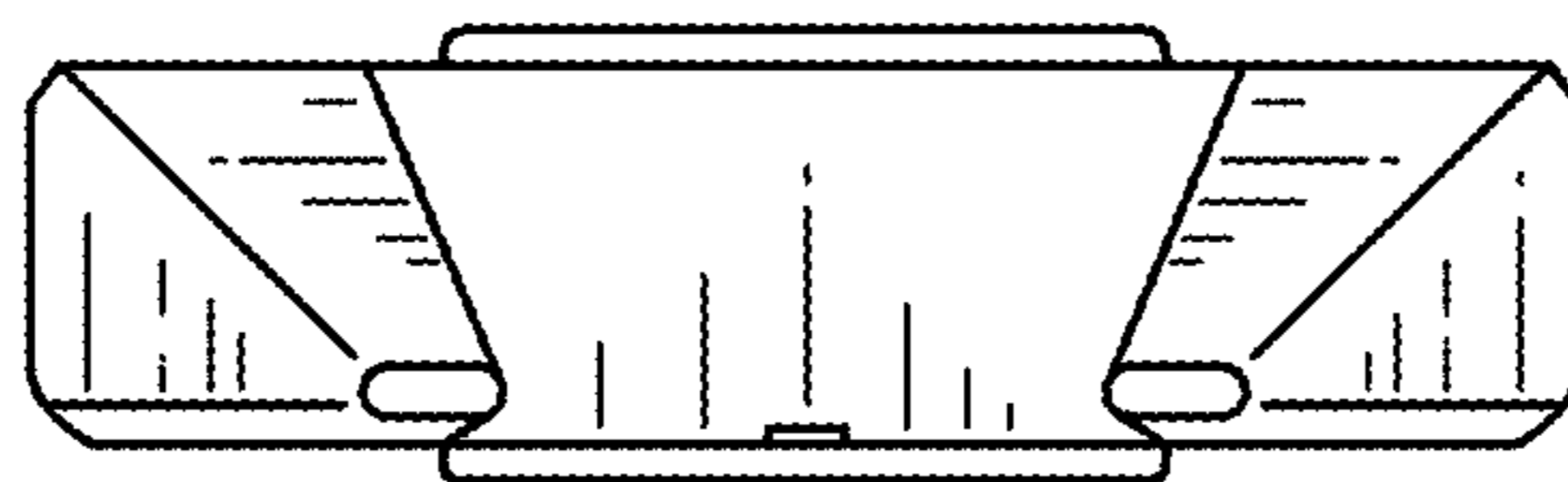


FIG. 6

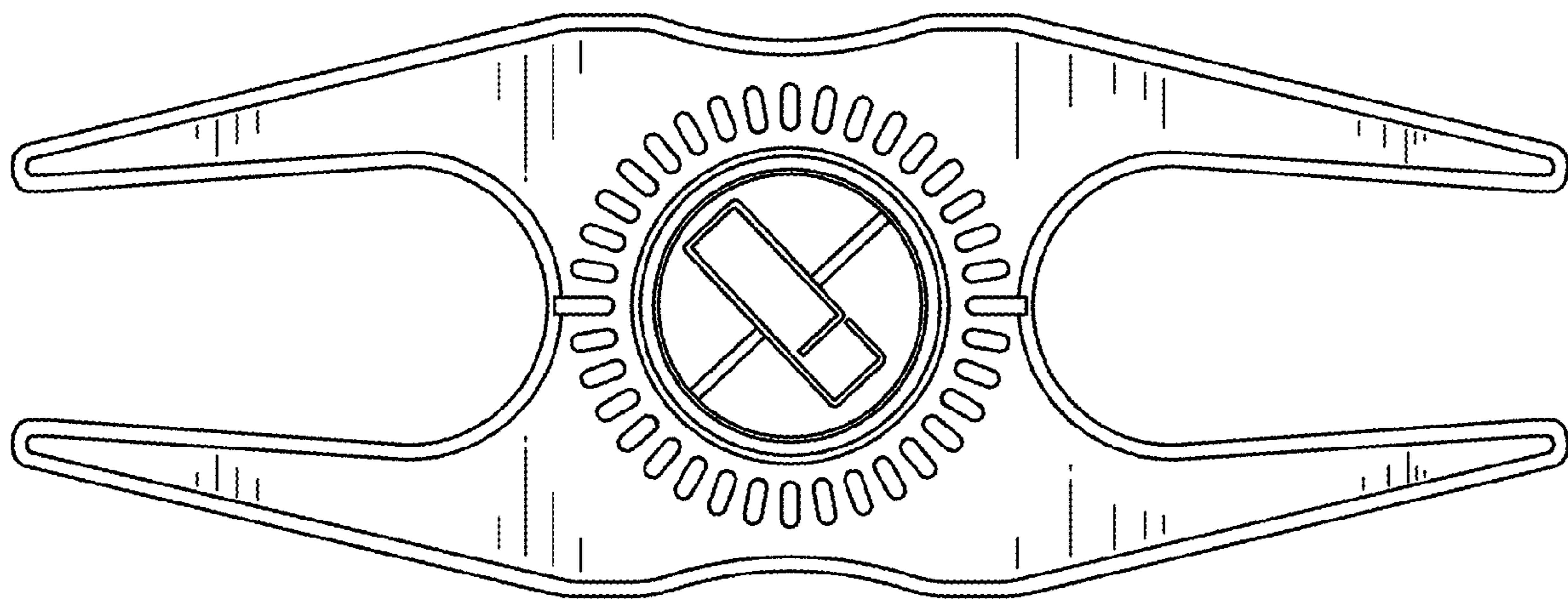


FIG. 7

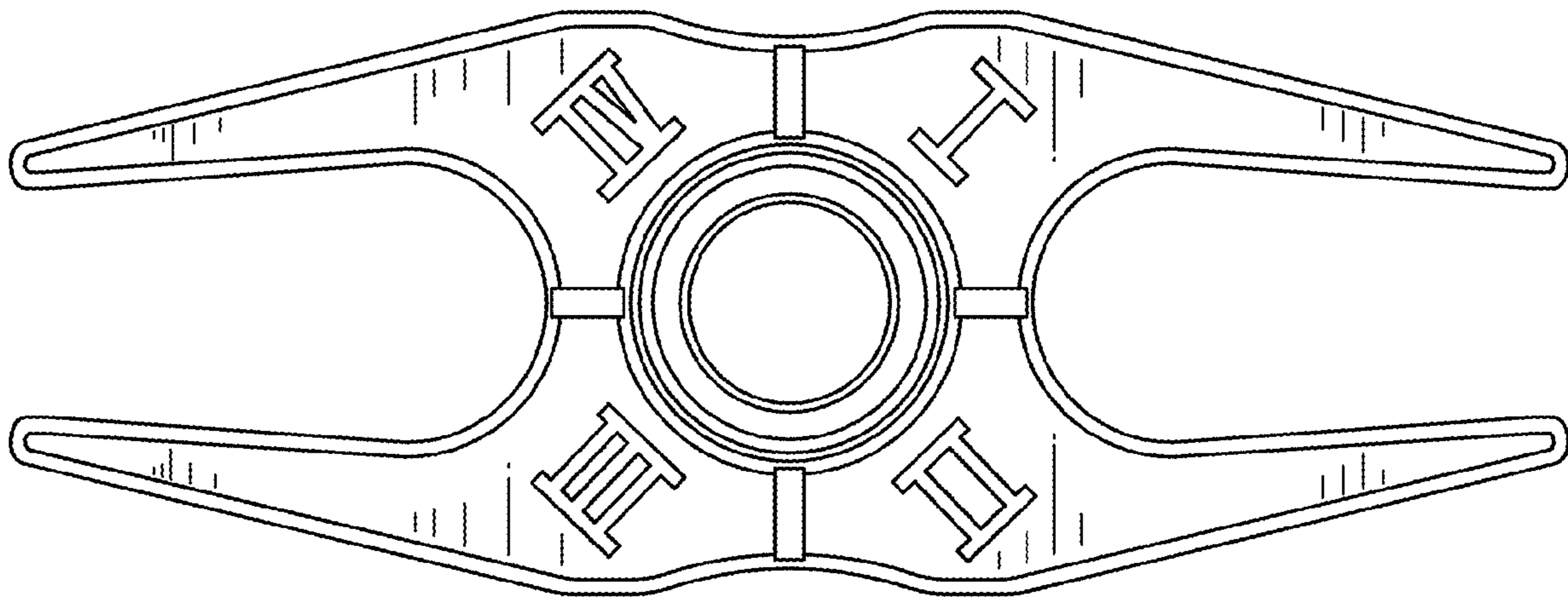


FIG. 8

