



US00D870830S

(12) **United States Design Patent** (10) **Patent No.:** **US D870,830 S**  
**Mills** (45) **Date of Patent:** **\*\* Dec. 24, 2019**

(54) **BASKETBALL BACKBOARD WITH FIXED WALL MOUNT**  
(71) Applicant: **Integrated Sports, LLC**, Lakeville, MN (US)  
(72) Inventor: **Alan Mills**, Apple Valley, MN (US)  
(73) Assignee: **Integraged Sports, LLC**, Lakeville, MN (US)  
(\*\*) Term: **15 Years**  
(21) Appl. No.: **29/619,141**  
(22) Filed: **Sep. 27, 2017**  
(51) **LOC (12) Cl.** ..... **21-02**  
(52) **U.S. Cl.**  
USPC ..... **D21/701**  
(58) **Field of Classification Search**  
USPC ..... D21/300-303, 319, 355, 342, 386, 699, D21/705, 771, 780, 789, 790, 791, D21/804.805; 473/164, 172, 197, 436  
CPC ..... A63B 63/083; A63B 69/00; A63B 2208/0204; A63B 65/00; A63B 1/00; A63B 67/00; A63B 63/00; A63F 1/067; A47B 25/00  
See application file for complete search history.

D364,354 S \* 11/1995 Nunes ..... D10/6  
5,603,496 A 2/1997 Rappaport  
5,720,679 A 2/1998 Schroeder  
5,800,296 A 9/1998 Shaw  
5,980,401 A 11/1999 Erlewine  
6,056,654 A 5/2000 Schroeder  
6,135,901 A 10/2000 van Nimwegen  
6,302,811 B1 10/2001 Topham  
6,367,948 B2 4/2002 Branson  
6,402,644 B2 6/2002 Stanford et al.  
6,537,162 B1 5/2003 Schroeder  
6,848,661 B2 2/2005 Baldasari  
6,991,568 B1 1/2006 Tien  
7,052,418 B2 \* 5/2006 Nye ..... A63B 63/083  
473/481  
7,306,530 B2 12/2007 Connerley  
7,331,883 B2 2/2008 Goldberg  
7,393,292 B2 7/2008 Pile  
7,628,717 B2 12/2009 Purcell et al.  
7,713,149 B2 5/2010 Docherty

(Continued)

*Primary Examiner* — Kevin K Rudzinski  
*Assistant Examiner* — Mehri F Bajoul  
(74) *Attorney, Agent, or Firm* — Haugen Law Firm PLLP

(57) **CLAIM**

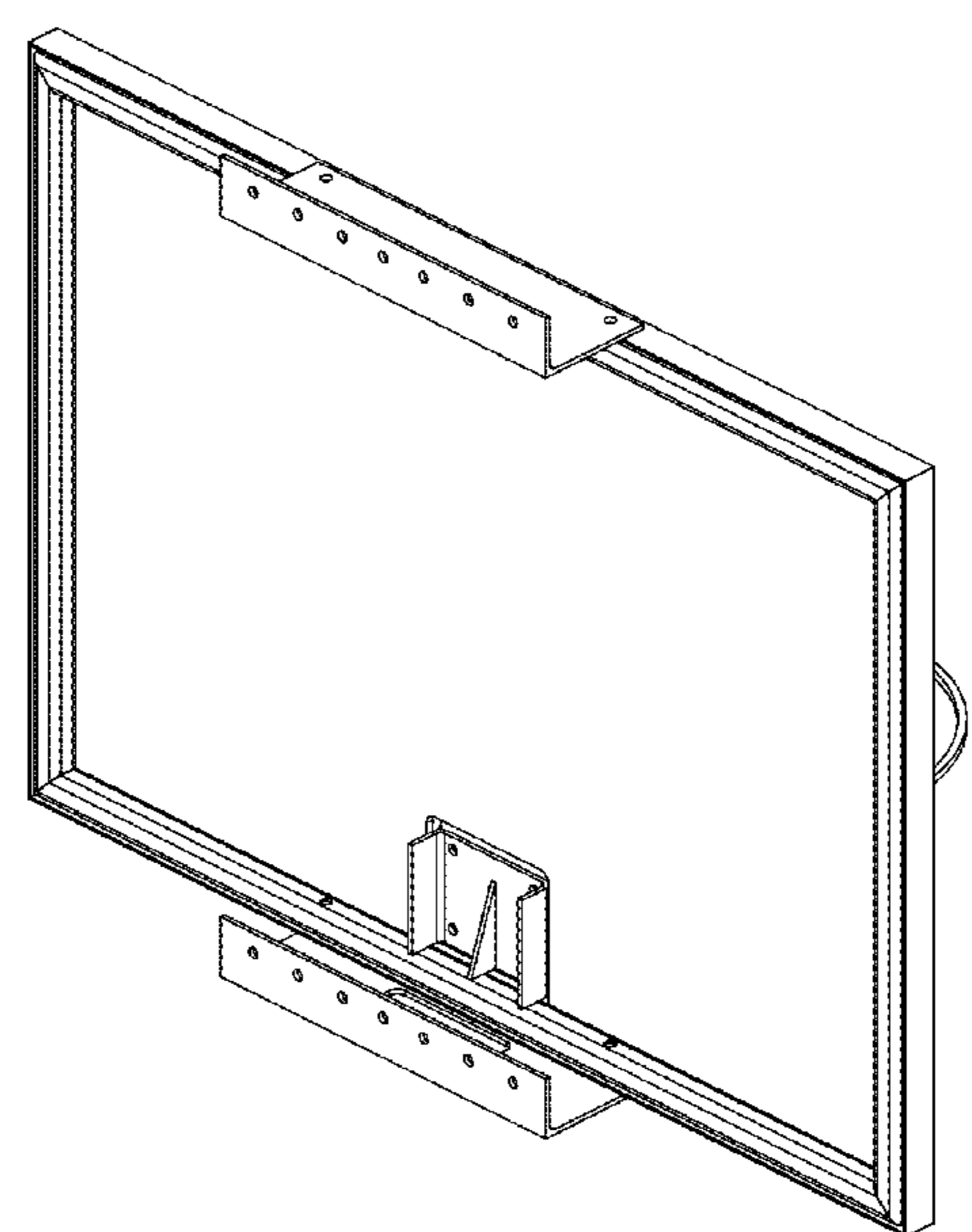
The ornamental design for a basketball backboard with fixed wall mount, as shown and described.

**DESCRIPTION**

FIG. 1 is a front top right-side perspective view of the basketball backboard of the present invention with a fixed wall mount;  
FIG. 2 is a front view thereof;  
FIG. 3 is a back view thereof;  
FIG. 4 is a right side view thereof;  
FIG. 5 is a left side view thereof;  
FIG. 6 is a top view thereof;  
FIG. 7 is a bottom view thereof; and,  
FIG. 8 is a bottom back left perspective view thereof.

**1 Claim, 8 Drawing Sheets**

(56) **References Cited**  
U.S. PATENT DOCUMENTS  
4,395,040 A 7/1983 White  
4,643,422 A 2/1987 Cramblett  
4,650,188 A 3/1987 Schroeder  
4,846,470 A 7/1989 Peterson  
D307,040 S \* 4/1990 Helalian ..... D21/305  
4,948,127 A 8/1990 Willard  
4,951,944 A 8/1990 Morgan  
5,102,127 A 4/1992 Pohrer  
5,211,393 A 5/1993 Rolffs et al.



(56)

References Cited

U.S. PATENT DOCUMENTS

7,749,111 B1 7/2010 Stevens  
 7,955,082 B1 6/2011 Gause  
 8,033,935 B2 10/2011 Stevens  
 8,038,550 B2 10/2011 Stevens  
 8,062,152 B2 11/2011 Nye et al.  
 8,206,247 B2 6/2012 Elpers  
 8,398,509 B2 3/2013 Elpers  
 8,523,715 B2 9/2013 Elpers  
 8,617,008 B2 12/2013 Marty et al.  
 8,708,844 B2 4/2014 Nye et al.  
 9,016,648 B2 4/2015 Smeenk  
 D729,889 S \* 5/2015 Morton ..... D21/701  
 D736,321 S \* 8/2015 Shadle ..... D21/302  
 D745,098 S \* 12/2015 Connerley ..... D21/701  
 9,333,406 B1 5/2016 Weeder  
 2002/0119841 A1\* 8/2002 Foley ..... A63B 63/083  
 473/415  
 2003/0040383 A1\* 2/2003 Squibb ..... A63B 63/083  
 473/481

2005/0215357 A1\* 9/2005 Guertzini ..... A63B 63/083  
 473/481  
 2007/0178994 A1\* 8/2007 White ..... A63B 63/083  
 473/481  
 2007/0191151 A1\* 8/2007 Nye ..... A63B 63/083  
 473/479  
 2008/0004139 A1\* 1/2008 Jang ..... A63B 63/083  
 473/481  
 2008/0039242 A1 2/2008 Nye  
 2008/0137038 A1 6/2008 Winstanley  
 2013/0331208 A1 12/2013 Elpers et al.  
 2014/0187359 A1\* 7/2014 Chu ..... A63B 63/083  
 473/482  
 2015/0105188 A1\* 4/2015 Smejkal ..... A63B 69/0071  
 473/432  
 2016/0082340 A1 3/2016 Adams  
 2017/0007896 A1 1/2017 Elpers et al.  
 2018/0229093 A1\* 8/2018 Givens ..... A63B 63/083  
 2018/0280774 A1\* 10/2018 Mills ..... A63B 63/083  
 2019/0201765 A1\* 7/2019 Lamascus ..... A63B 63/083  
 2019/0217172 A1\* 7/2019 OMeara ..... A63B 63/083

\* cited by examiner

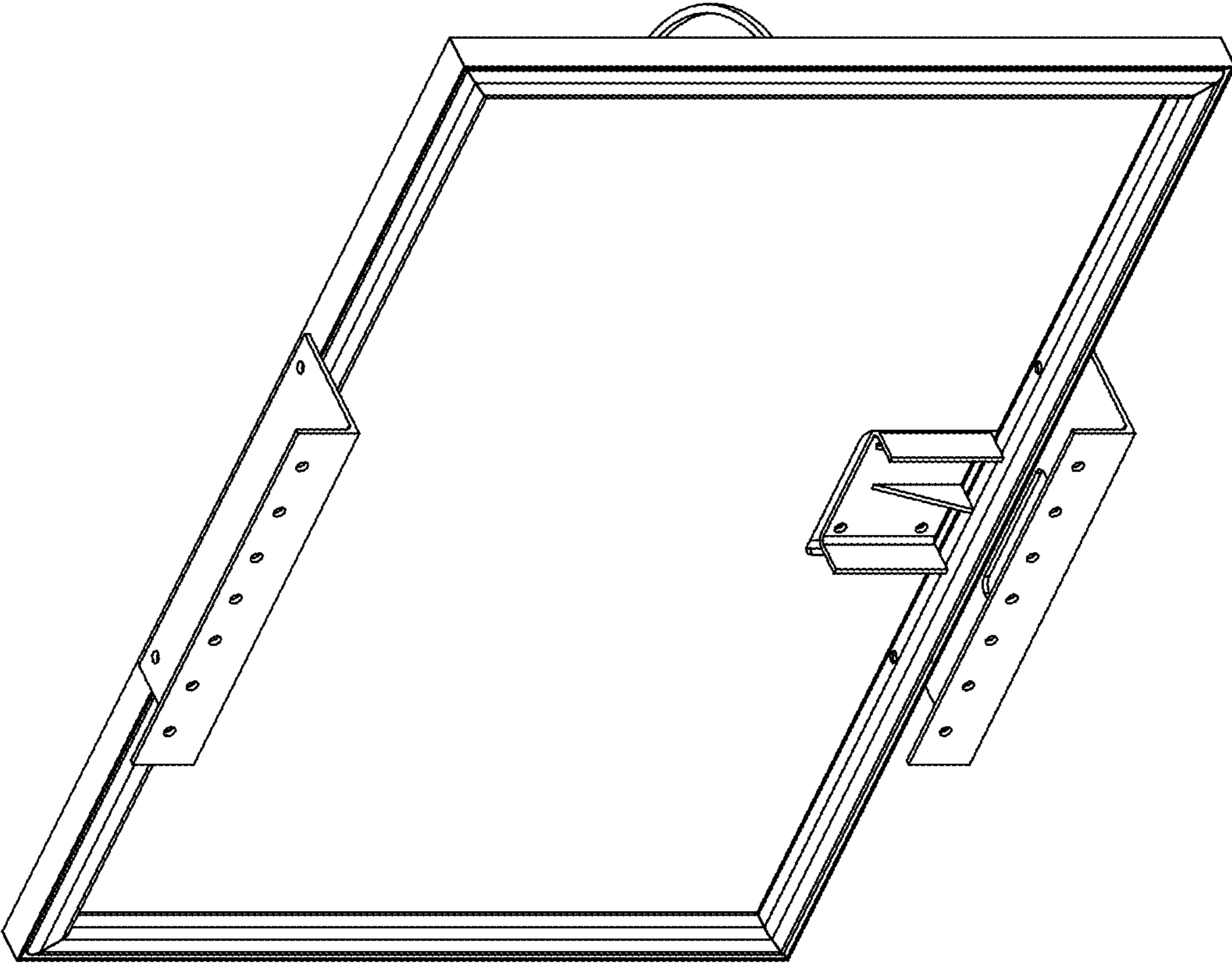


FIG. 1

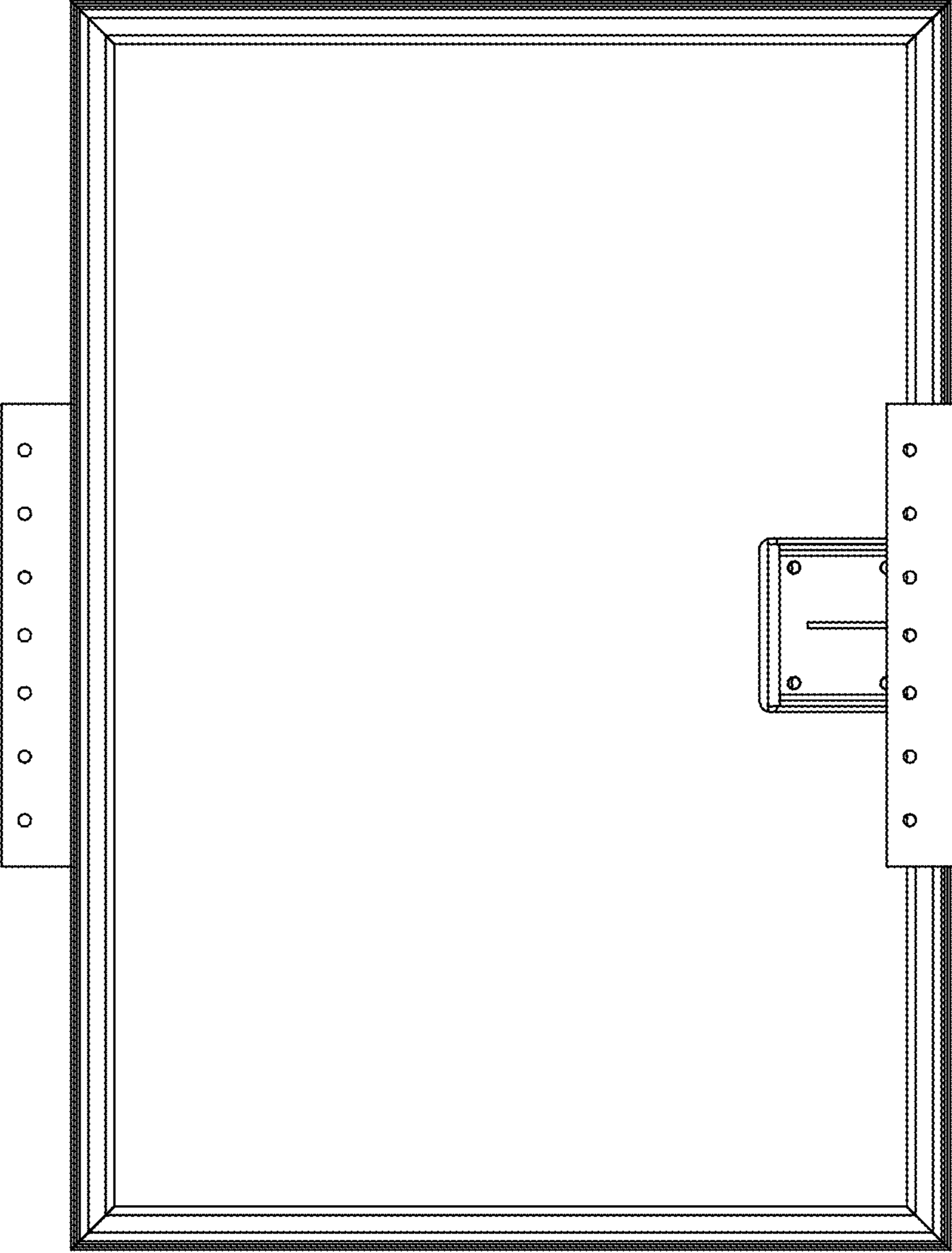


FIG. 2

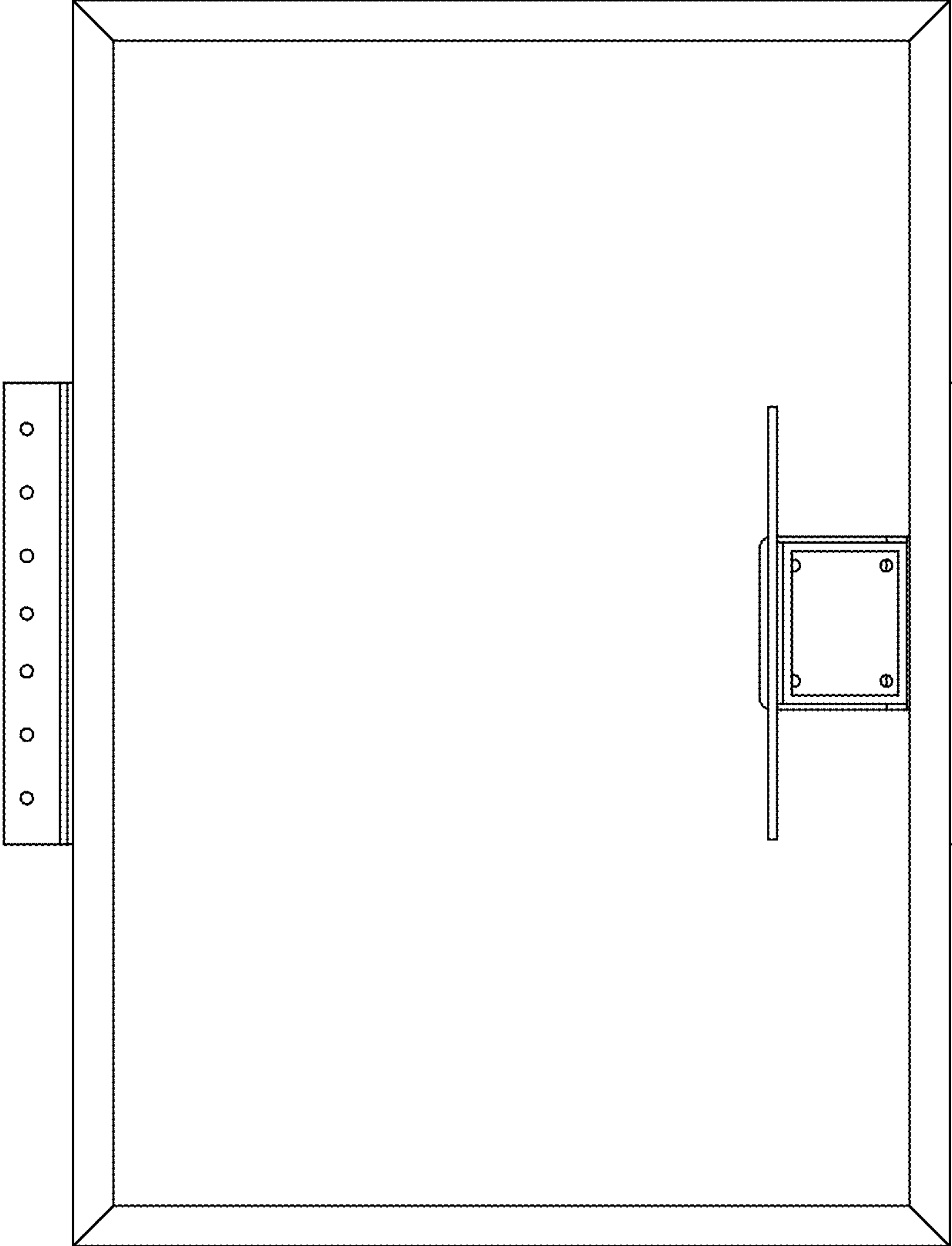


FIG. 3

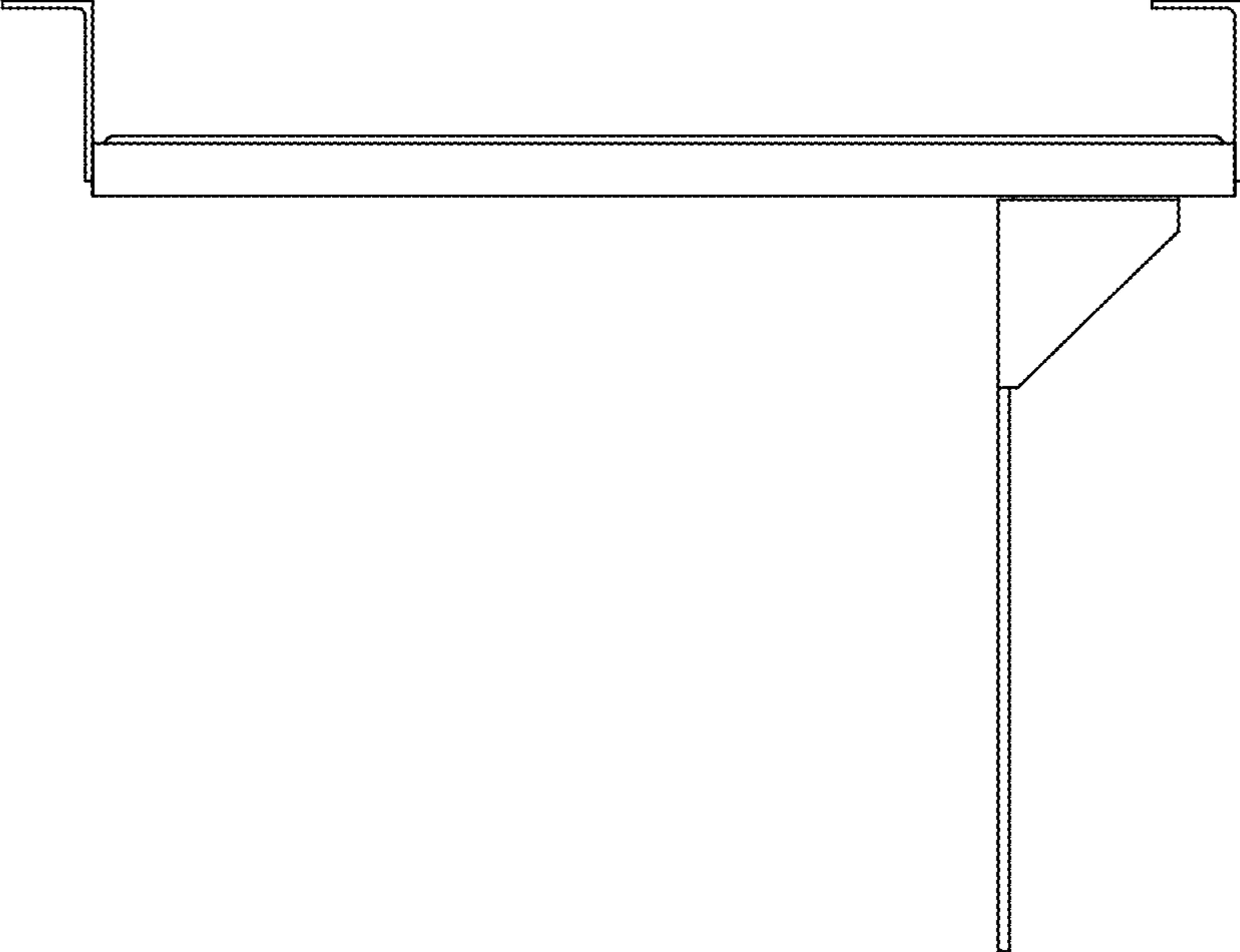


FIG. 4

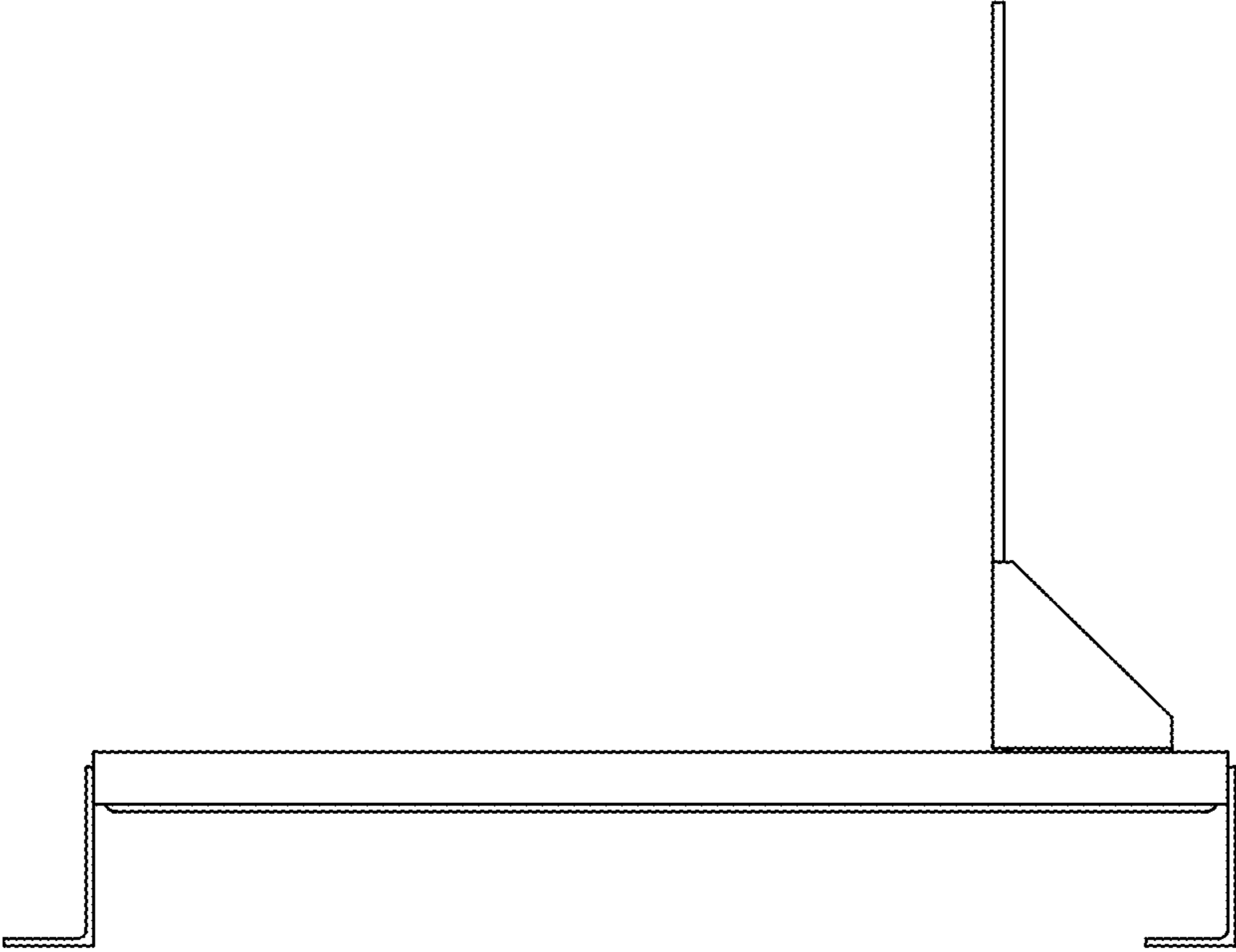


FIG. 5

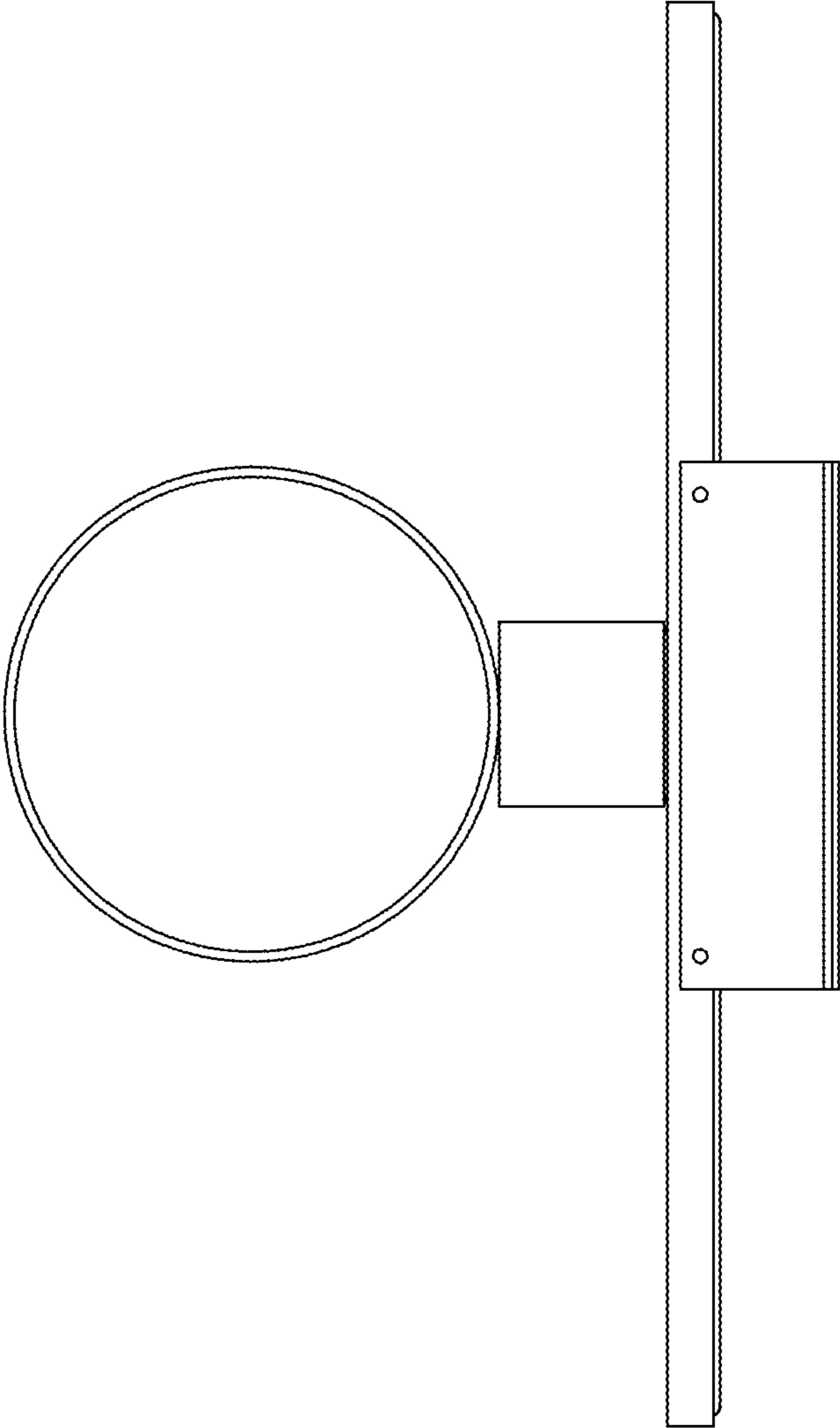


FIG. 6



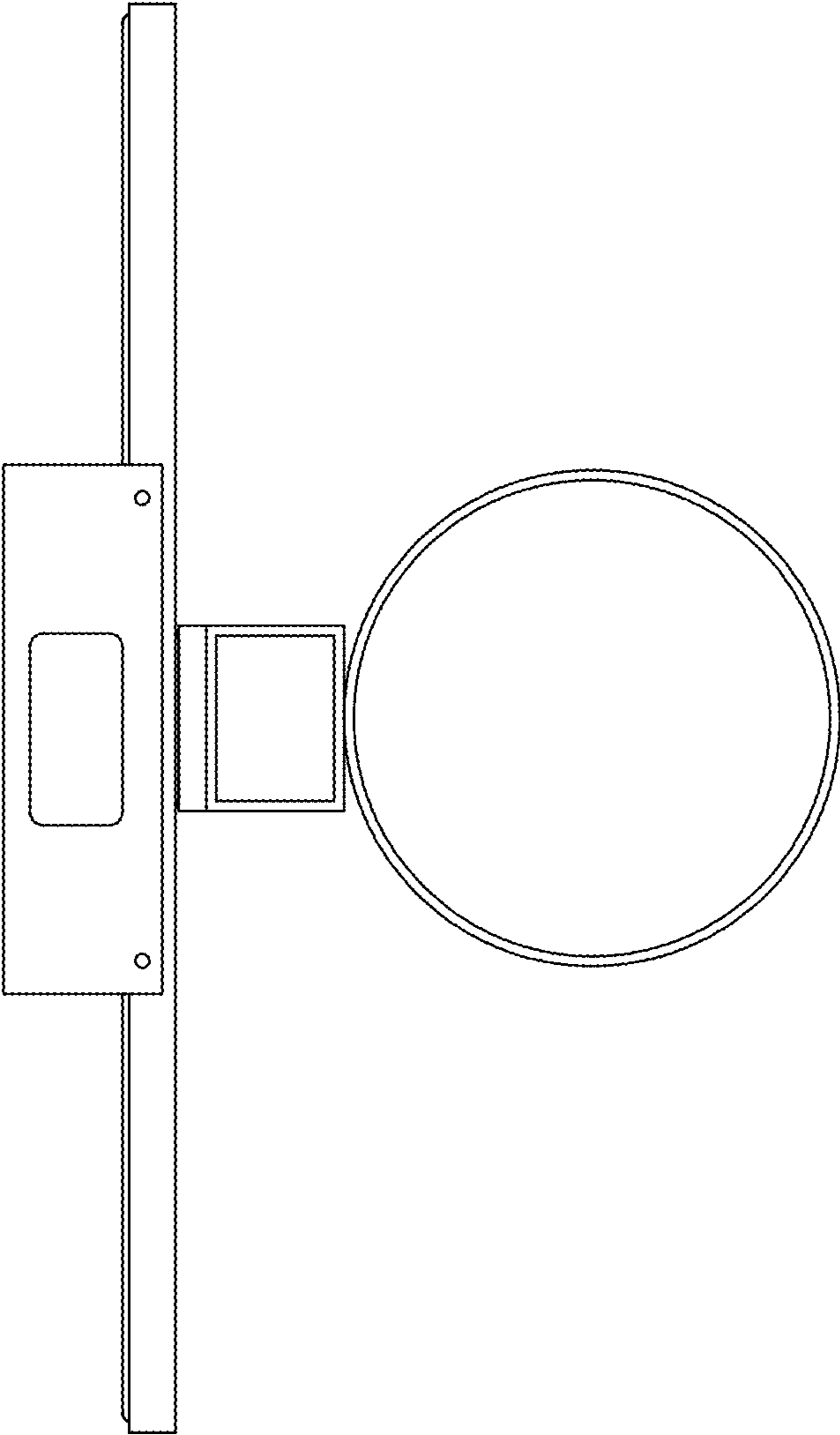


FIG. 7

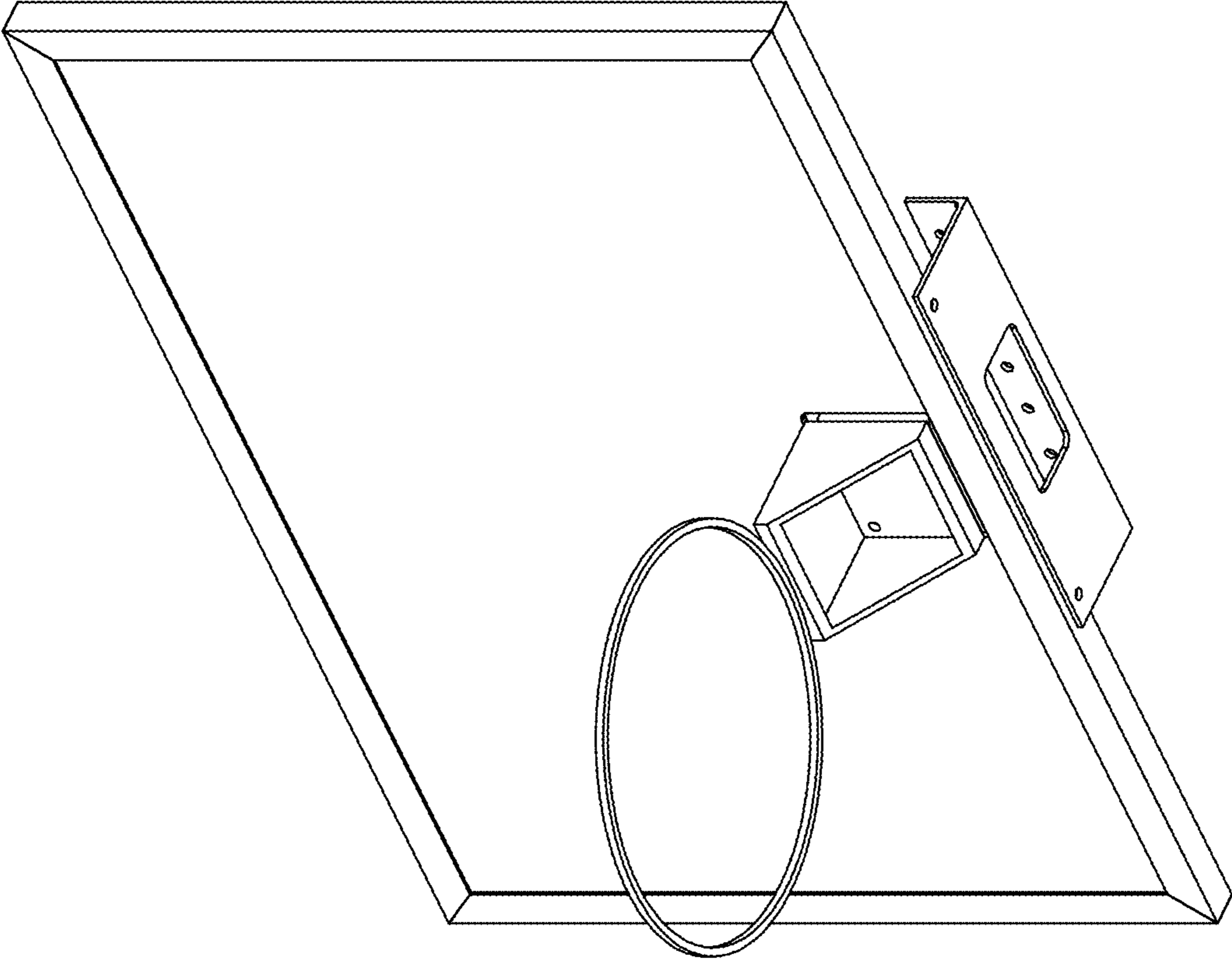


FIG. 8