



US00D870829S

(12) **United States Design Patent** (10) **Patent No.:** **US D870,829 S**
Jones et al. (45) **Date of Patent:** **** Dec. 24, 2019**

(54) **EXERCISE BIKE**
(71) Applicant: **Coulter Ventures, LLC.**, Columbus, OH (US)
(72) Inventors: **Dylan Jones**, Santa Barbara, CA (US); **Matt Dubberley**, Santa Barbara, CA (US); **Patrick Burgess**, Cullowhee, NC (US)
(73) Assignee: **Coulter Ventures, LLC.**, Columbus, OH (US)

4,712,789 A 12/1987 Brilando
4,712,790 A 12/1987 Szymiski
4,824,102 A 4/1989 Lo
4,880,225 A 11/1989 Lucas et al.
D306,330 S 2/1990 Lucas et al.
D307,167 S 4/1990 Lucas et al.
D307,614 S 5/1990 Bingham et al.
D307,615 S 5/1990 Bingham et al.
4,932,649 A 6/1990 Chen
4,961,569 A 10/1990 Roberge
(Continued)

(**) Term: **15 Years**
(21) Appl. No.: **29/689,885**
(22) Filed: **May 2, 2019**

OTHER PUBLICATIONS
Rogue Echo Bike product advertisement from <https://www.youtube.com/watch?v=9xfUu652CMg>, dated Dec. 26, 2017.
(Continued)

Related U.S. Application Data

(63) Continuation of application No. 29/658,628, filed on Aug. 1, 2018, now Pat. No. Des. 858,663.

(51) **LOC (12) Cl.** **21-02**
(52) **U.S. Cl.**
USPC **D21/697**

(58) **Field of Classification Search**
USPC D21/663, 667, 666, 697, 694, 665, 668, D21/664, 690, 676, 670; 482/57, 62, 482/111, 139, 145, 60, 51, 123, 72, 61, 482/58, 9; 74/502.4, 502.6, 594.2, 594.1, 74/48; D12/178, 411, 345; D23/382, D23/381, 378, 412, 411; D13/115; D15/7
CPC . A63B 22/0605; A63B 21/225; A63B 22/001; A63B 22/0664; A63B 21/4047
See application file for complete search history.

(56) **References Cited**

U.S. PATENT DOCUMENTS

4,188,030 A 2/1980 Hooper
D272,182 S 1/1984 Fowler et al.

Primary Examiner — Ryan Harvey
(74) *Attorney, Agent, or Firm* — Banner & Witcoff, Ltd.

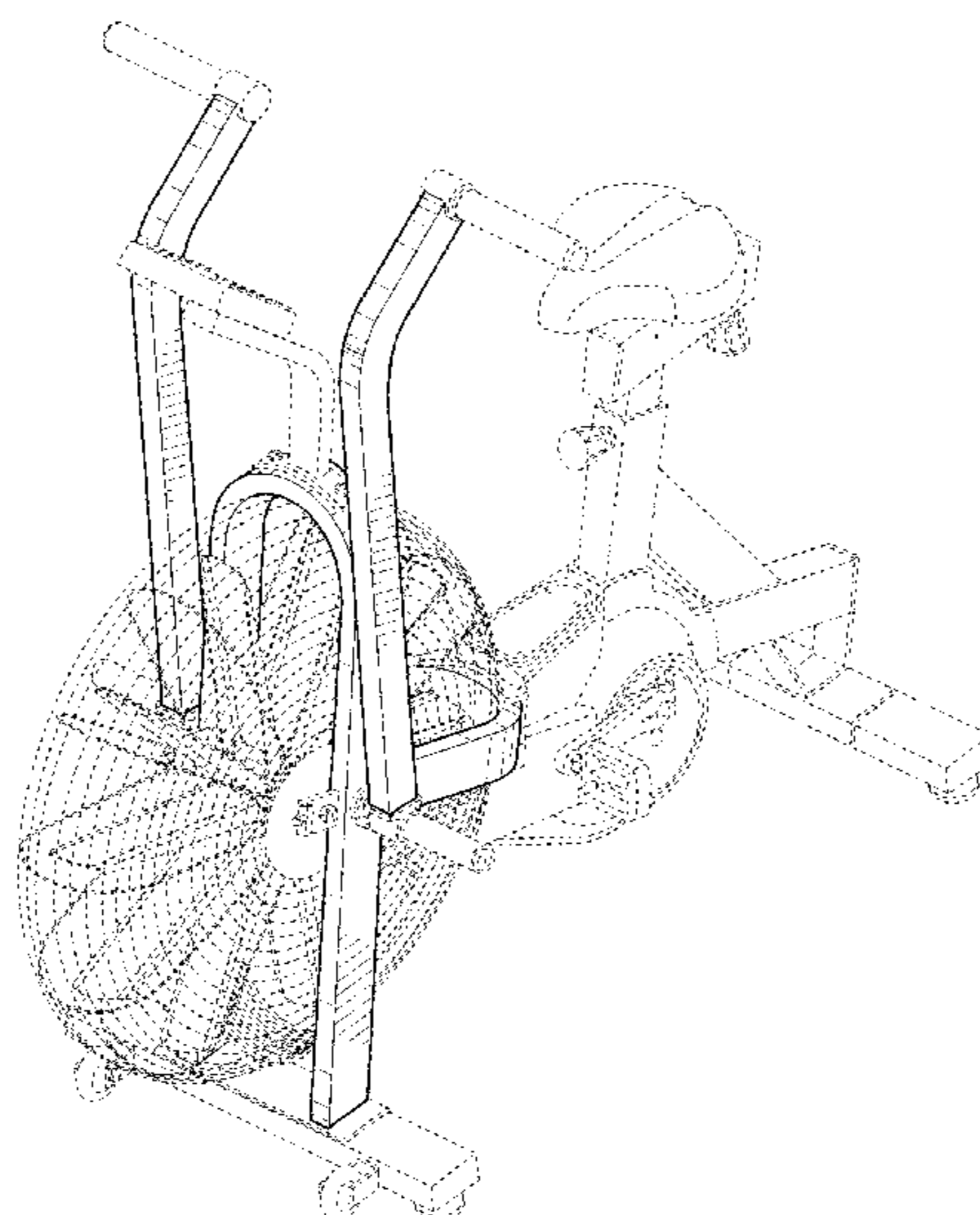
(57) **CLAIM**

The ornamental design for an exercise bike, as shown and described.

DESCRIPTION

FIG. 1 is a top, front, left perspective view of our new design with selected features disclaimed;
FIG. 2 is a top, front, right perspective view thereof;
FIG. 3 is a rear view thereof;
FIG. 4 is a front view thereof;
FIG. 5 is a left side view thereof;
FIG. 6 is a right side view thereof;
FIG. 7 is a top view thereof;
FIG. 8 is a top, rear, left perspective view thereof; and,
FIG. 9 is a top, rear, right perspective view thereof.
The broken lines immediately adjacent to the shaded area define the bounds of the claimed design and form no part thereof. The broken lines depicting the remainder of the exercise bike show features that form not part of the claimed design.

1 Claim, 9 Drawing Sheets



(56)

References Cited

U.S. PATENT DOCUMENTS

4,961,570 A 10/1990 Chang
 4,962,925 A 10/1990 Chang
 4,971,316 A 11/1990 Dalebout et al.
 4,981,294 A 1/1991 Dalebout et al.
 5,000,444 A 3/1991 Dalebout et al.
 D319,274 S 8/1991 Byrd et al.
 D319,480 S 8/1991 Byrd et al.
 D319,675 S 9/1991 Byrd et al.
 5,048,824 A 9/1991 Chen
 5,149,312 A 9/1992 Croft et al.
 D330,236 S 10/1992 Jarriel et al.
 D333,868 S 3/1993 Yaung
 RE34,478 E 12/1993 Dalebout et al.
 D344,583 S 2/1994 Hsu
 5,290,212 A 3/1994 Metcalf
 5,346,445 A 9/1994 Chang
 5,397,286 A 3/1995 Chang
 5,443,434 A 8/1995 Buchanan et al.
 5,795,270 A 8/1998 Woods et al.
 D418,218 S 12/1999 Hsu
 6,159,132 A 12/2000 Chang
 6,220,991 B1 4/2001 Sellers
 D459,796 S 7/2002 Moreno
 D488,861 S 4/2004 Moreno
 D699,305 S 2/2014 Rauwerdink
 D699,795 S 2/2014 Rauwerdink
 D699,796 S 2/2014 Flick et al.
 D700,668 S 3/2014 Flick et al.
 D767,049 S 9/2016 Flick et al.
 D767,050 S 9/2016 Flick et al.
 D767,051 S 9/2016 Flick et al.
 D781,385 S 3/2017 Flick et al.
 9,889,336 B1 2/2018 Chen
 D834,174 S 11/2018 Fuselier
 2007/0179025 A1 8/2007 Tsai

2012/0065029 A1 3/2012 Dunlap
 2017/0274238 A1 9/2017 Chou
 2018/0064982 A1 3/2018 Chen
 2018/0256932 A1 9/2018 Hsu
 2018/0326257 A1 11/2018 Jones et al.

OTHER PUBLICATIONS

Rogue Echo Bike product advertisement from <<https://www.instagram.com/p/BdLU0Ll7u/?hl=en>>, dated Dec. 26, 2017.
 Rogue Echo Bike product listing from <<https://www.roguefitness.com/rogue-echo-bike>>, dated Sep. 13, 2018.
 Schwinn Airdyne Pro product advertisement from <https://www.youtube.com/watch?v=c4t_XRTzwPk>, dated Nov. 17, 2015.
 Schwinn Airdyne Pro product listing from <<https://www.roguefitness.com/schwinn-airdyne-pro>>, dated Sep. 13, 2018.
 Schwinn Airdyne AD6 product listing from <https://www.schwinnfitness.com/ad6/100250.html?adID=SDOSG2SSL4&gclid=EAlalQobChMl2JjUhOa43QIVyh-GCh1j5wPmEAAAYAiAAEgJJ7fD_BwE&gclid=aw.ds&psearch=1> , dated Sep. 13, 2018.
 Concept2 BikeERG product advertisement from <<https://www.youtube.com/watch?v=nq9fnKhJMgg>>, dated Sep. 1, 2017.
 Concept2 BikeERG product listing from <<https://www.concept2.com/bikeerg/concept2-bikeerg>>, dated Sep. 13, 2018.
 Concept2 BikeERG product listing from <<https://www.roguefitness.com/concept2-bike-erg>>, dated Sep. 13, 2018.
 Assault Airbike product listing from <<https://www.roguefitness.com/assault-airbike-and-accessories>>, dated Sep. 13, 2018.
 Assault Airbike product photos from <<https://www.assaultfitness.com/products/airbike-classic>>, dated Sep. 13, 2018.
 Assault Airbike product advertisement from <<https://www.youtube.com/watch?v=uvgwUrD8W6w>>, dated Feb. 9, 2015.
 Assault Airbike Elite product advertisement from <<https://www.youtube.com/watch?v=YdSAtaj5xWw>>, dated Nov. 21, 2017.
 Assault Airbike Elite product photos from <<https://www.assaultfitness.com/products/airbike-elite>>, dated Sep. 13, 2018.

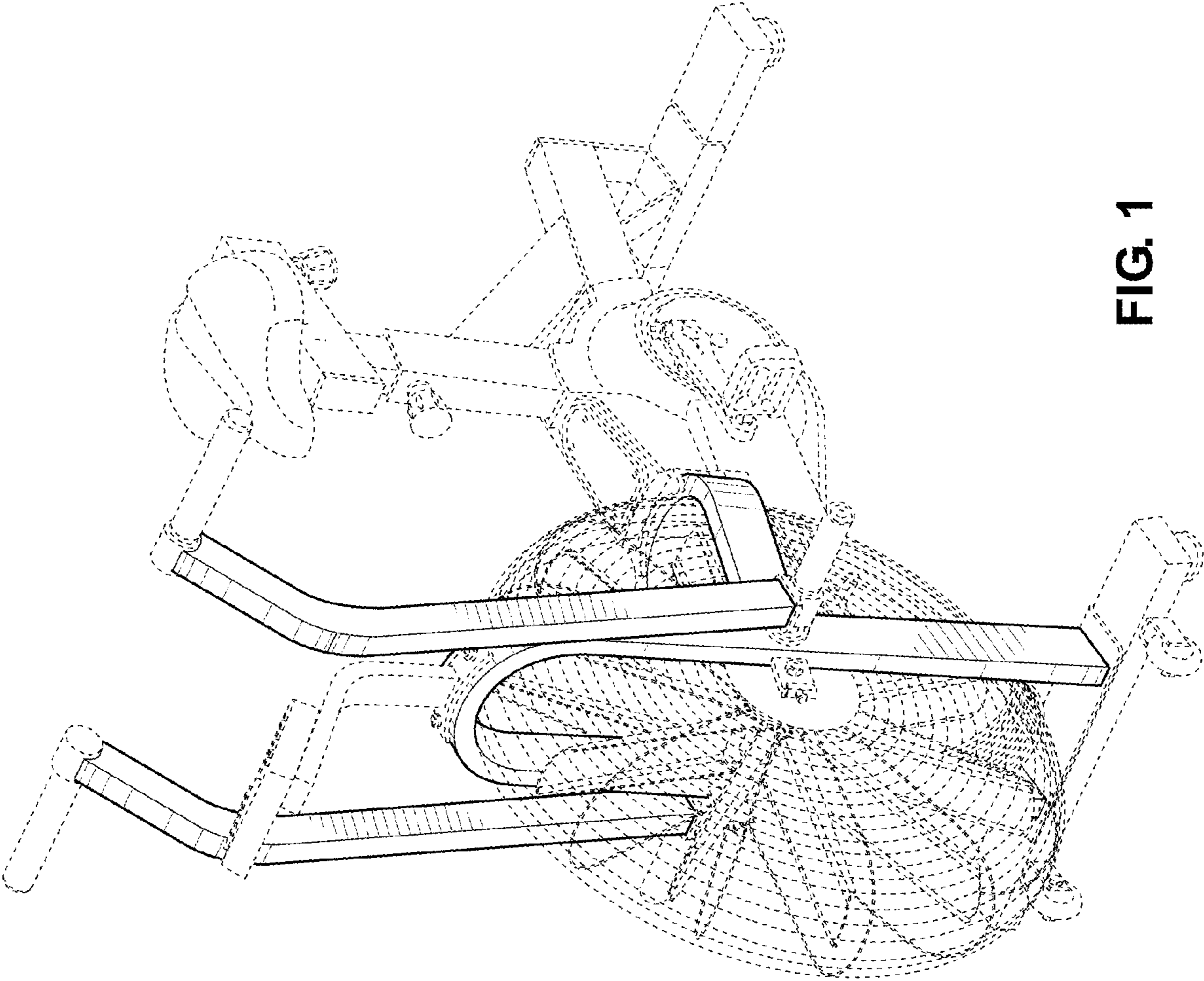


FIG. 1

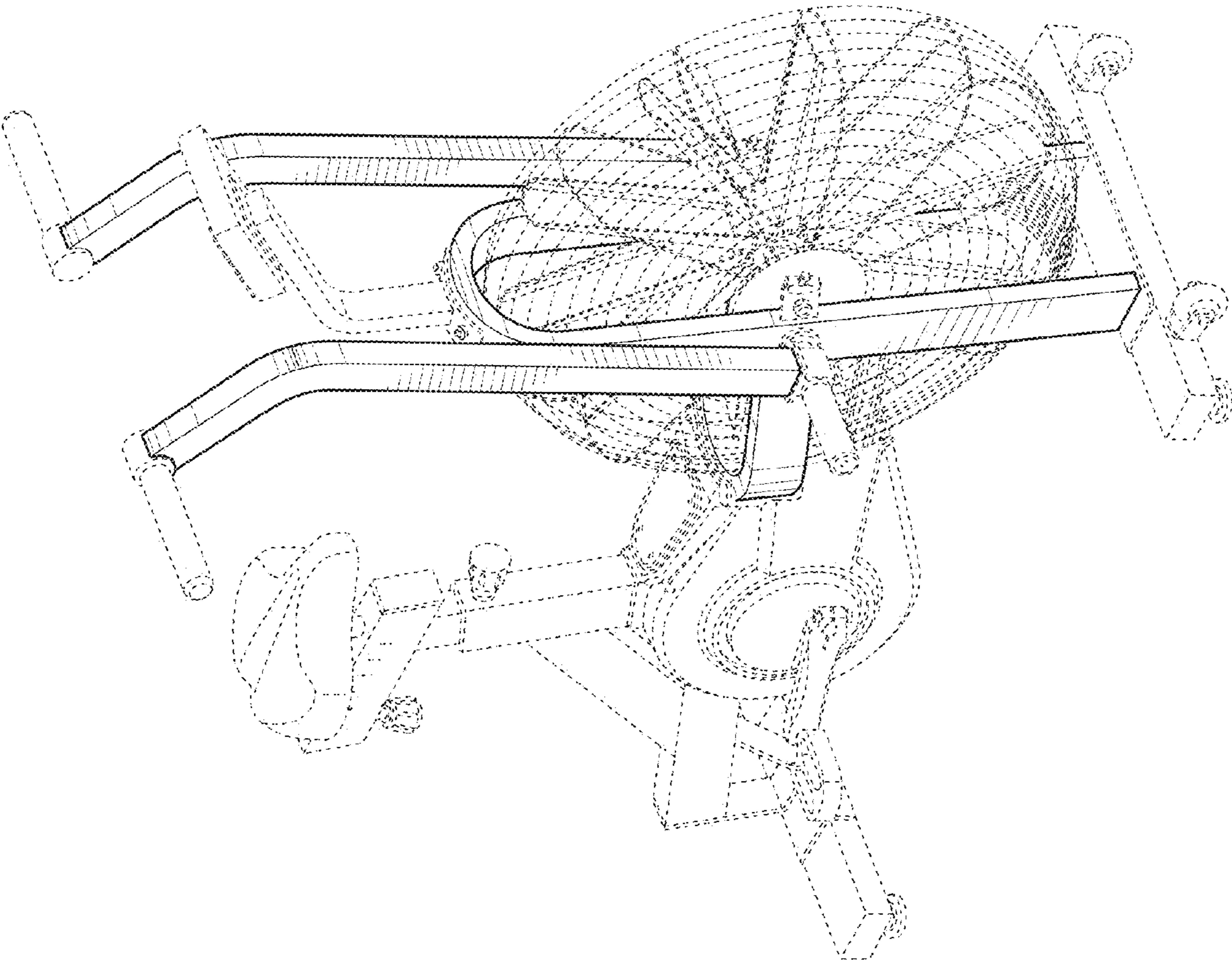


FIG. 2

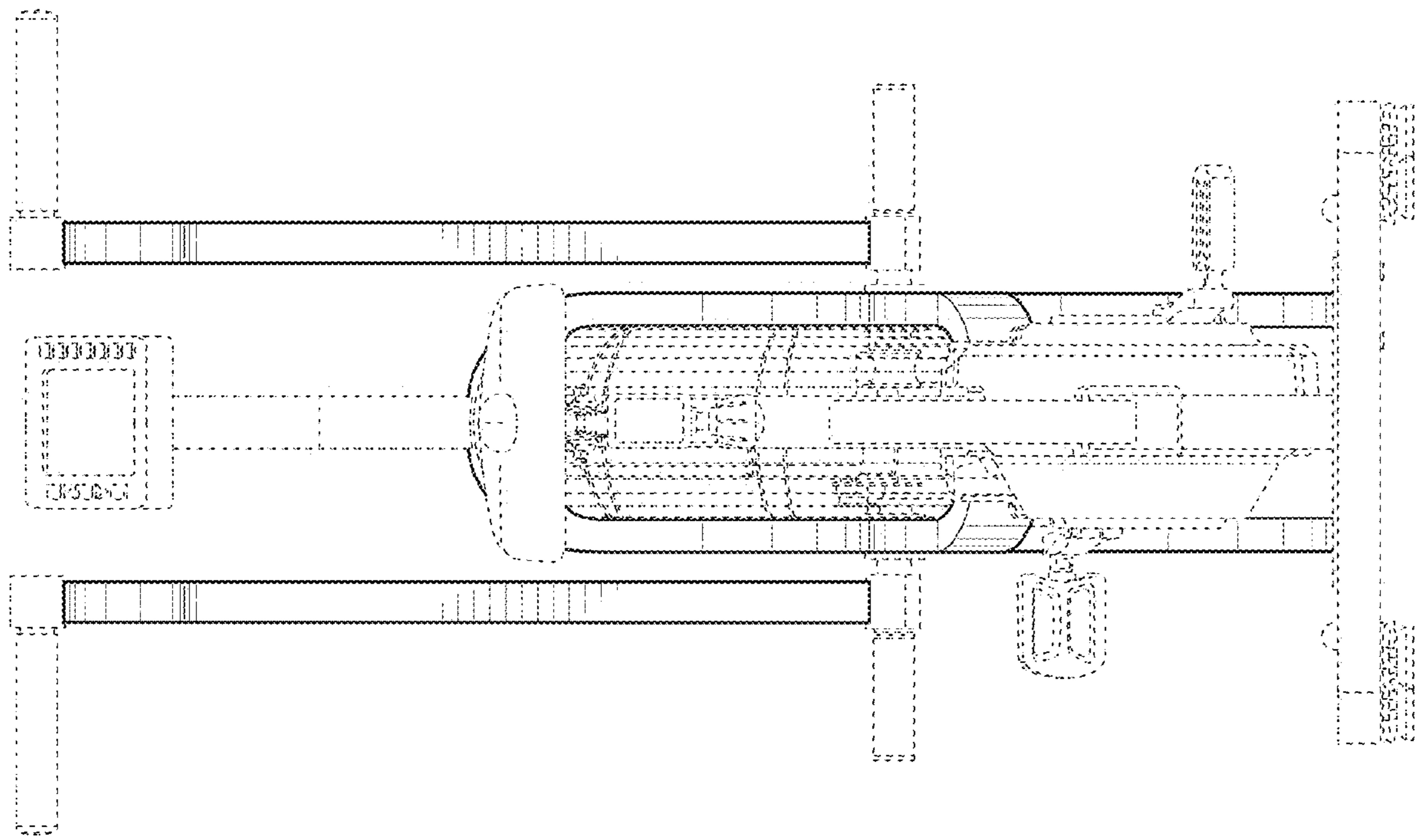


FIG. 3

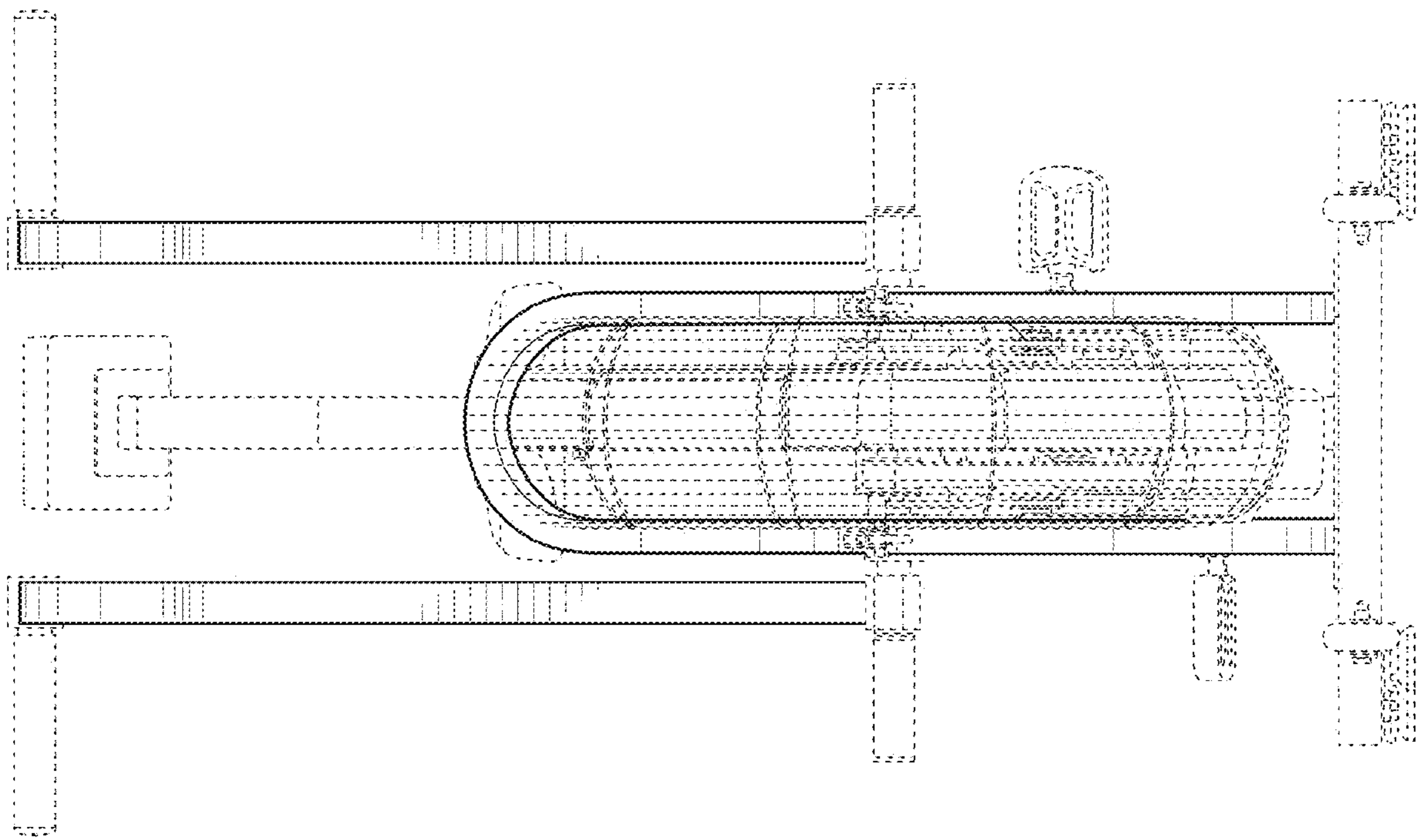


FIG. 4

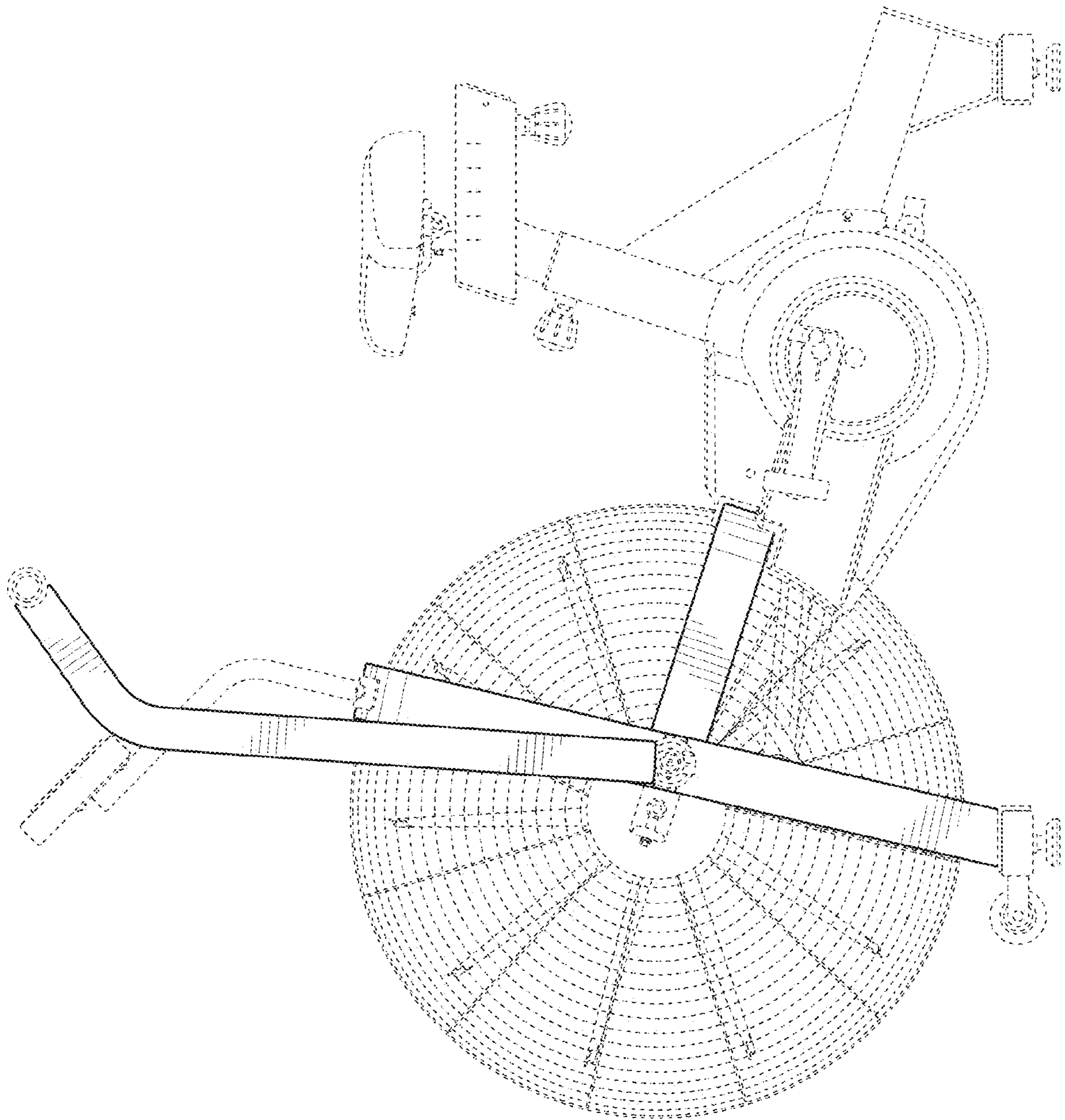


FIG. 5

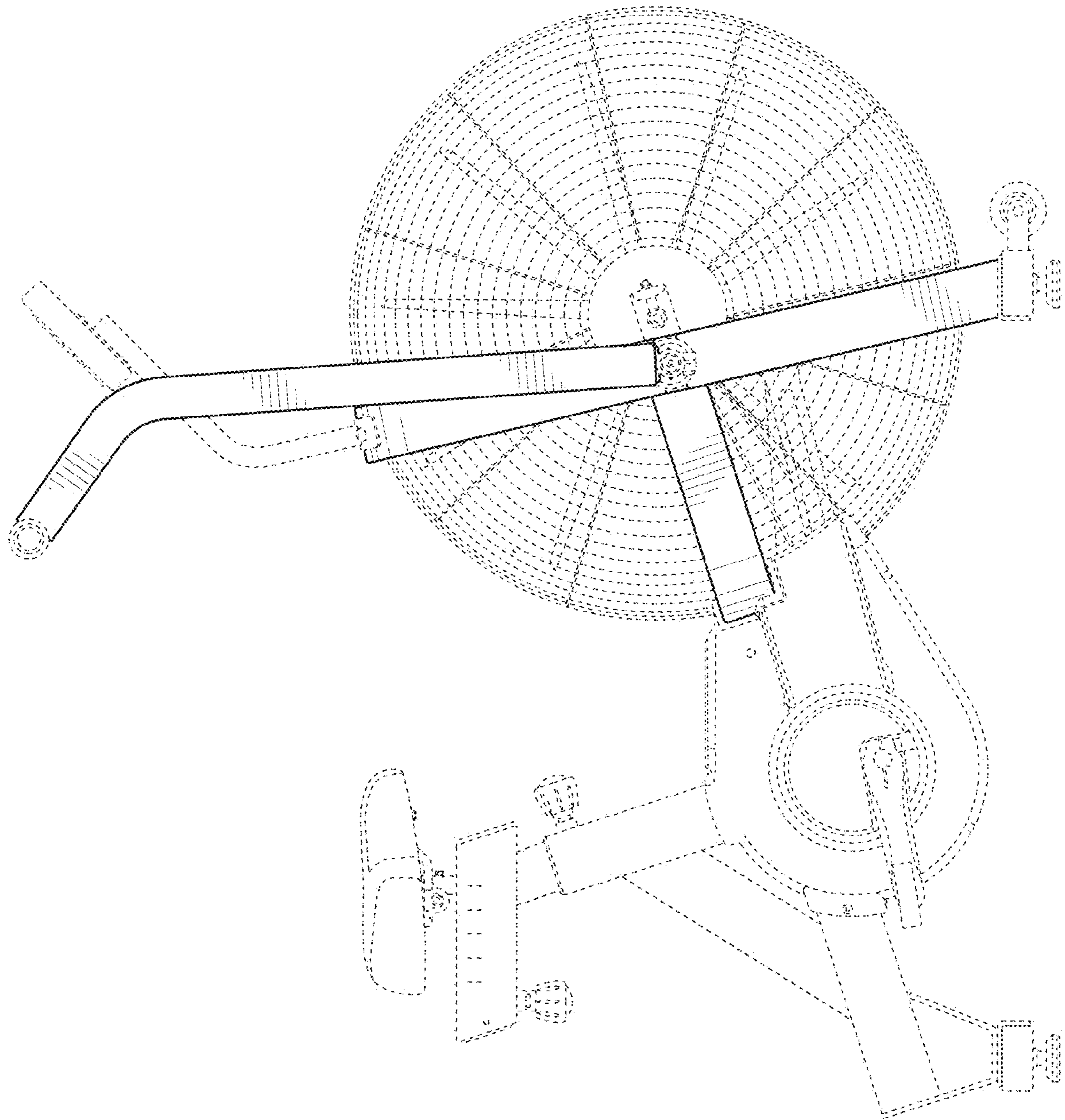


FIG. 6

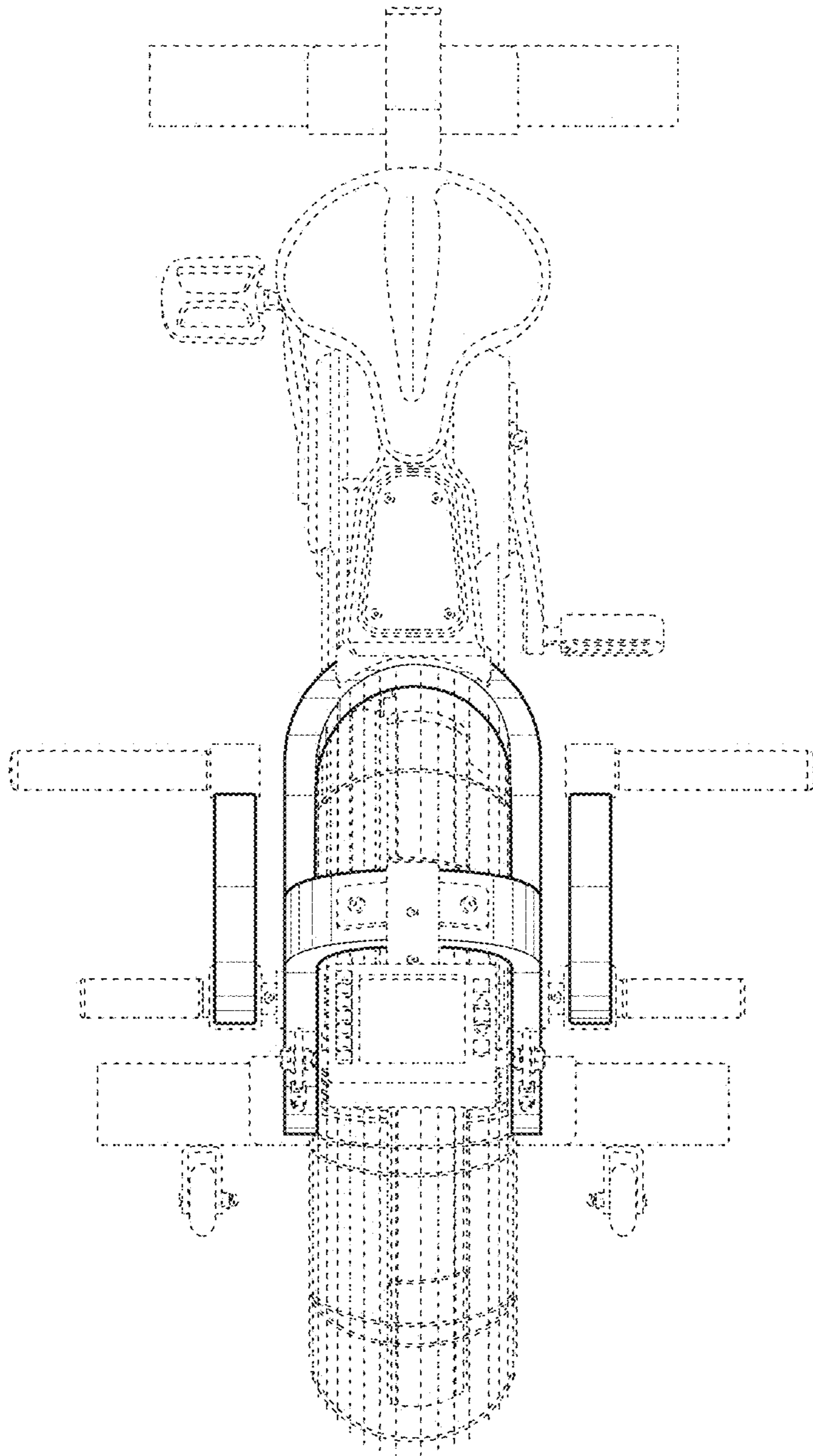


FIG. 7

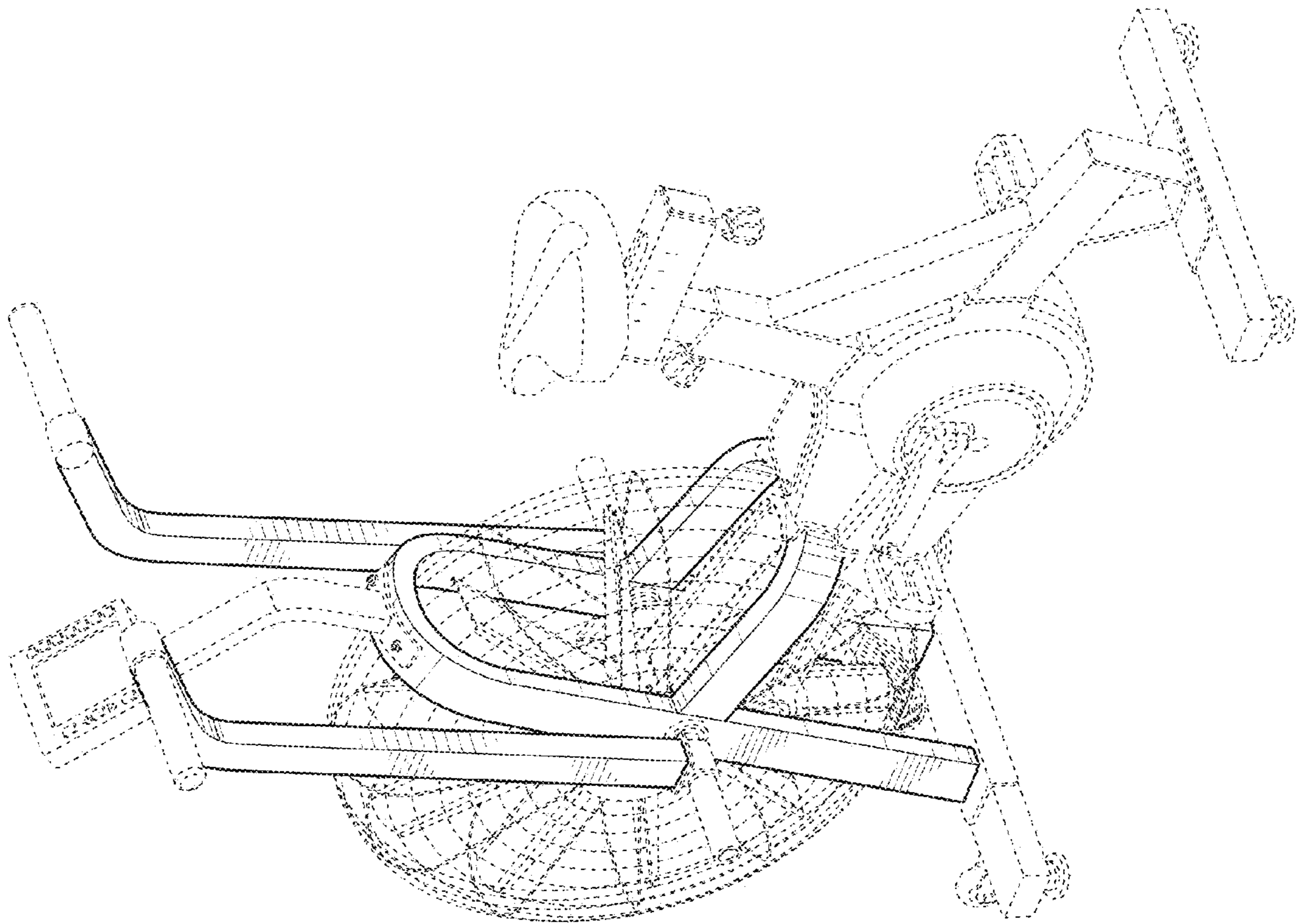


FIG. 8

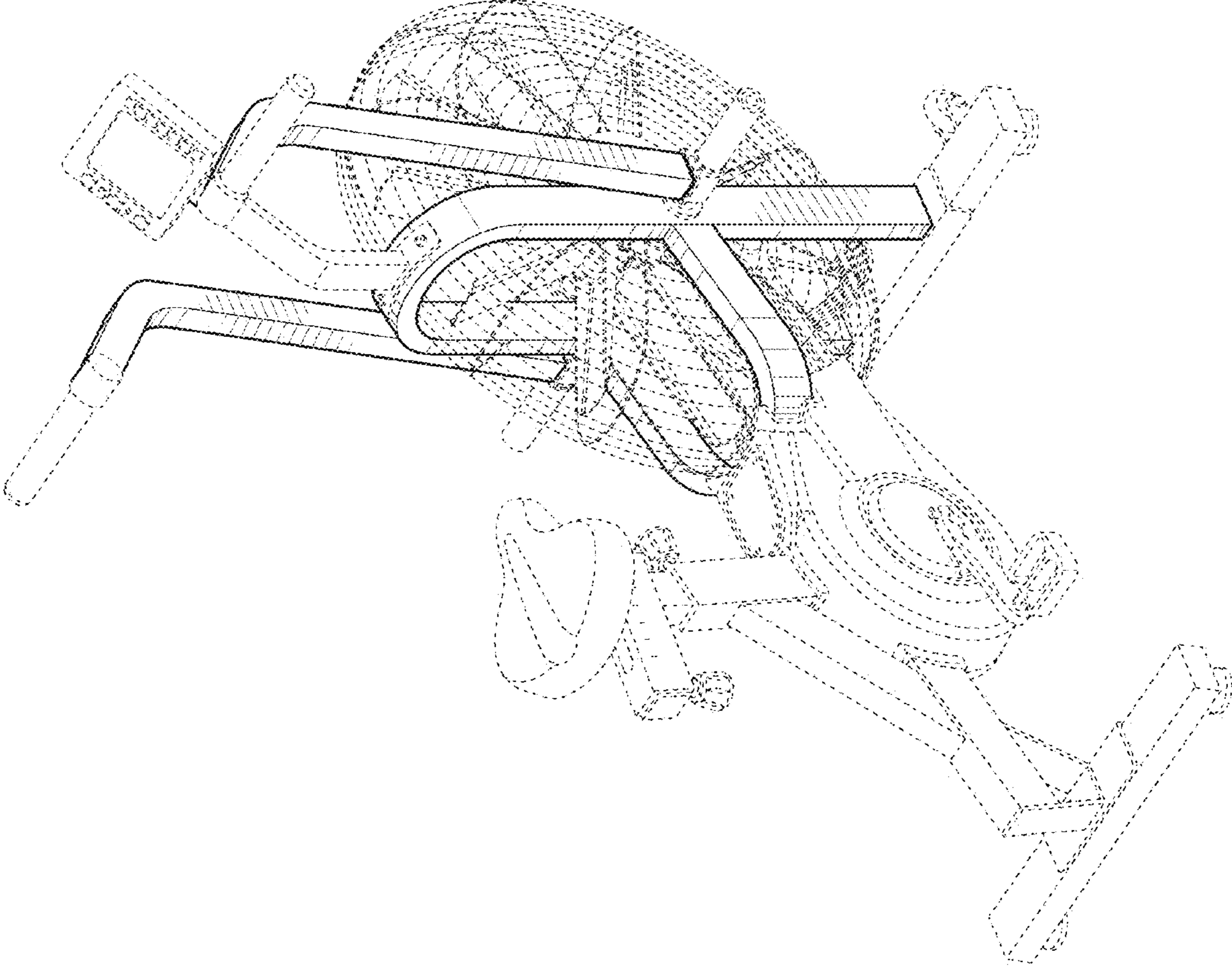


FIG. 9