



US00D870828S

(12) **United States Design Patent** (10) **Patent No.:** **US D870,828 S**
Dicharry (45) **Date of Patent:** **** Dec. 24, 2019**

(54) **ADJUSTABLE BALANCE AND STABILITY TRAINING BOARD**

(71) Applicant: **Jay Dicharry**, Bend, OR (US)

(72) Inventor: **Jay Dicharry**, Bend, OR (US)

(**) Term: **15 Years**

(21) Appl. No.: **29/664,722**

(22) Filed: **Sep. 27, 2018**

(51) **LOC (12) Cl.** **21-02**

(52) **U.S. Cl.**
USPC **D21/688**

(58) **Field of Classification Search**
USPC 248/678; 280/602, 607, 609; 297/223;
473/218, 266, 269; 482/25, 30, 51, 71,
(Continued)

(56) **References Cited**

U.S. PATENT DOCUMENTS

| | | | |
|---------------|--------|--------------|--------------|
| 3,862,768 A * | 1/1975 | Shafer | A63B 21/0004 |
| | | | D21/688 |
| 4,323,231 A * | 4/1982 | Wilson | A63B 6/00 |
| | | | 482/26 |

(Continued)

OTHER PUBLICATIONS

Youtube, "MOBO backstory", Mar. 7, 2019. <https://www.youtube.com/watch?v=xKPUxSicdYw>. Shown at the 00:03 minute mark. (Year: 2019).*

(Continued)

Primary Examiner — Cynthia Ramirez
Assistant Examiner — Michael A Maharajh

(74) *Attorney, Agent, or Firm* — The Rapacke Law Group, P.A.

(57) **CLAIM**

The ornamental design for an adjustable balance and stability training board, as shown and described.

DESCRIPTION

FIG. 1 is a top right front perspective view in a first configuration of the adjustable balance and stability training board showing the new design;

FIG. 2 is an exploded perspective view in a first configuration of the adjustable balance and stability training board thereof;

FIG. 3 is a front elevational view of the adjustable balance and stability training board thereof;

FIG. 4 is a rear elevational view of the adjustable balance and stability training board thereof;

FIG. 5 is a left side elevational view of the adjustable balance and stability training board thereof;

FIG. 6 is a right side elevational view of the adjustable balance and stability training board thereof;

FIG. 7 is a top plan view of the adjustable balance and stability training board thereof;

FIG. 8 is a bottom plan view of the adjustable balance and stability training board thereof;

FIG. 9 is a rotated left side plan view of the adjustable balance and stability training board thereof;

FIG. 10 is a rotated front plan view in an alternate configuration of the adjustable balance and stability board thereof;

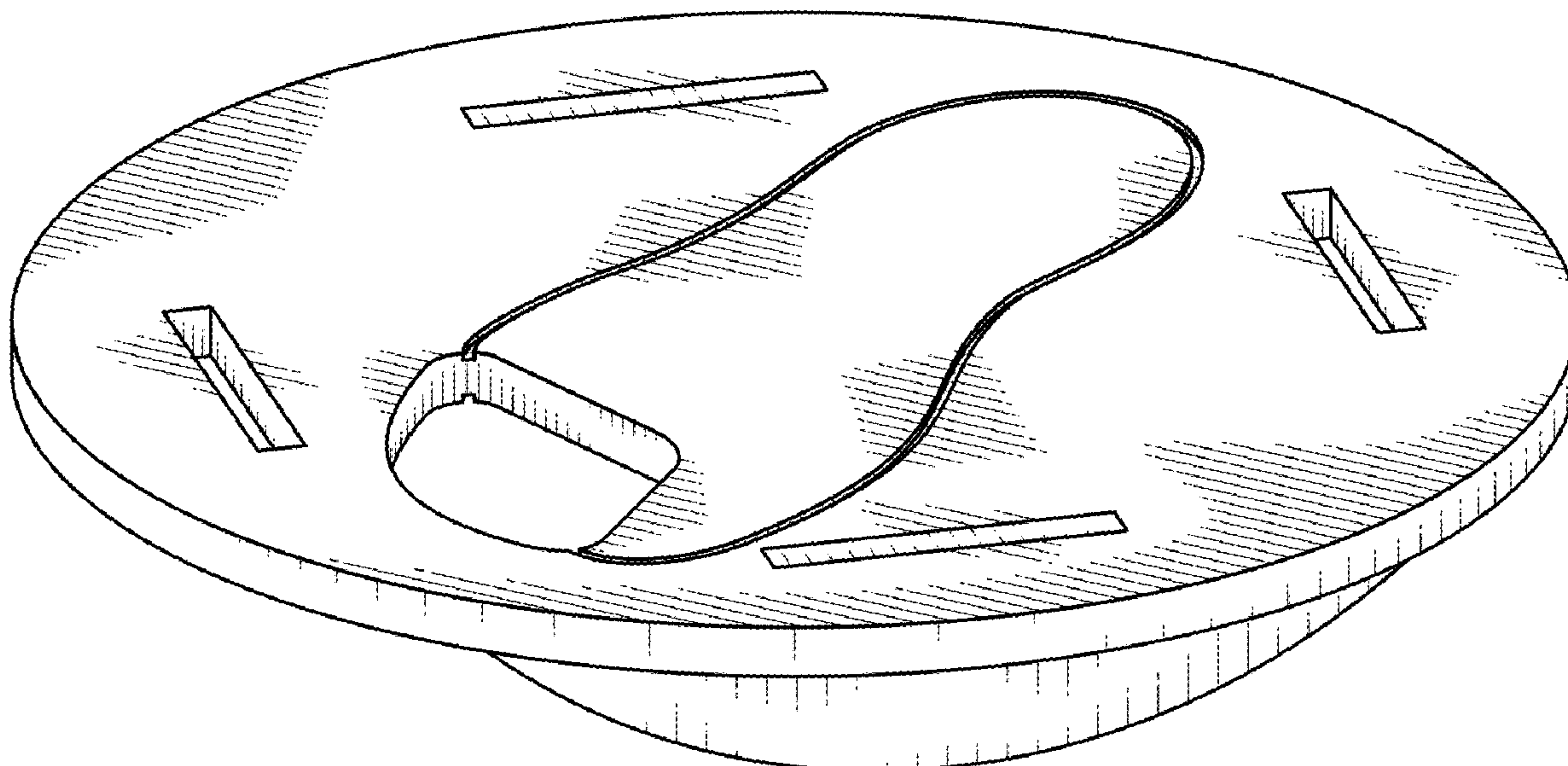
FIG. 11 is an alternate perspective environmental view of the adjustable balance and stability board;

FIG. 12 is a top right front perspective view in an alternate configuration of the adjustable balance and stability board; and,

FIG. 13 is an exploded perspective view in an alternate configuration of the adjustable balance and stability board thereof.

The broken lines in the drawings illustrate environmental subject matter and form no part of the claimed design.

1 Claim, 7 Drawing Sheets



(58) **Field of Classification Search**

USPC ... 482/74, 79, 80, 91, 93, 94, 105, 110, 122,
 482/125, 140, 142, 146, 147; D6/349,
 D6/350, 582, 583, 585, 588, 592;
 D21/399, 412, 662, 671, 683, 685, 686,
 D21/687, 688, 689, 694, 698, 798
 CPC . A63B 21/00047; A63B 22/16; A63B 26/003;
 A63B 22/18

See application file for complete search history.

(56) **References Cited**

U.S. PATENT DOCUMENTS

5,368,535 A * 11/1994 Twardokens A63B 21/151
 482/100
 6,001,026 A * 12/1999 Breneman A63B 69/3623
 473/261
 D507,026 S * 7/2005 Chen D21/671
 D517,136 S * 3/2006 Chen D21/671
 7,470,218 B2 * 12/2008 Williams A63B 23/0464
 482/148
 D601,643 S * 10/2009 Byle D21/662
 D612,896 S * 3/2010 Talley D21/686
 D630,336 S * 1/2011 Park D24/213
 D634,377 S * 3/2011 Byle D21/662

8,814,768 B1 * 8/2014 Yang A63B 22/18
 482/121
 D848,623 S * 5/2019 Franche D24/188
 2010/0167887 A1 * 7/2010 Berry A63B 22/18
 482/147
 2010/0267533 A1 * 10/2010 Susnjara A63B 21/0004
 482/142
 2010/0285941 A1 * 11/2010 VanBuren A63B 26/003
 482/146
 2011/0183770 A1 * 7/2011 Park A63B 69/0002
 473/218
 2011/0312478 A1 * 12/2011 Khubani A63B 22/14
 482/140
 2013/0035211 A1 * 2/2013 Abel A63B 69/0057
 482/51
 2013/0190150 A1 * 7/2013 Delisle A63B 21/075
 482/141
 2014/0371041 A1 * 12/2014 Terpstra A63B 22/18
 482/146
 2016/0361603 A1 * 12/2016 Blinova A63B 26/00

OTHER PUBLICATIONS

Moboboard, "Moboboard", Oct. 22, 2019. <https://www.moboboard.com/>. Shown on p. 1. (Year: 2019).*

* cited by examiner

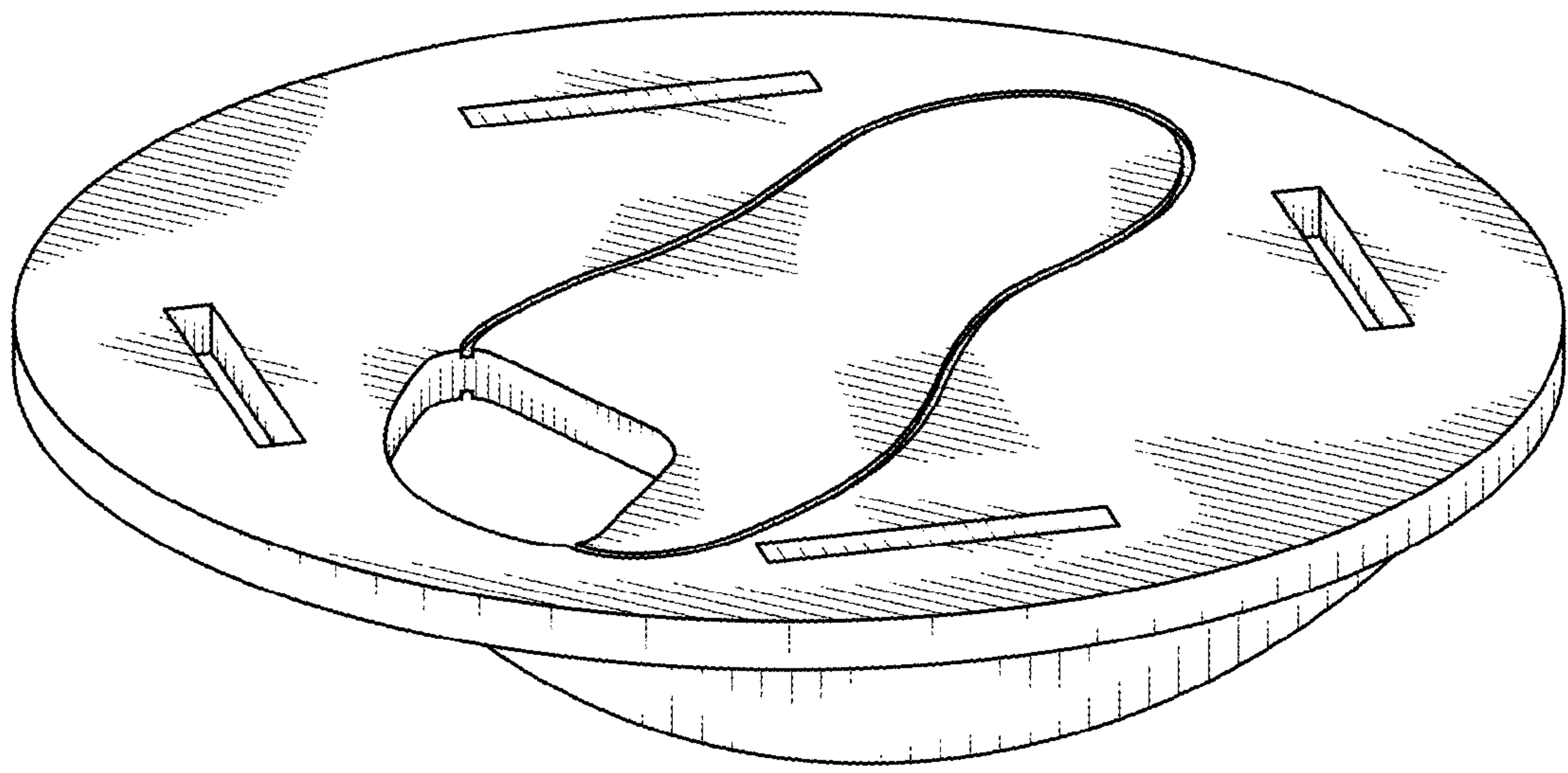


FIG. 1

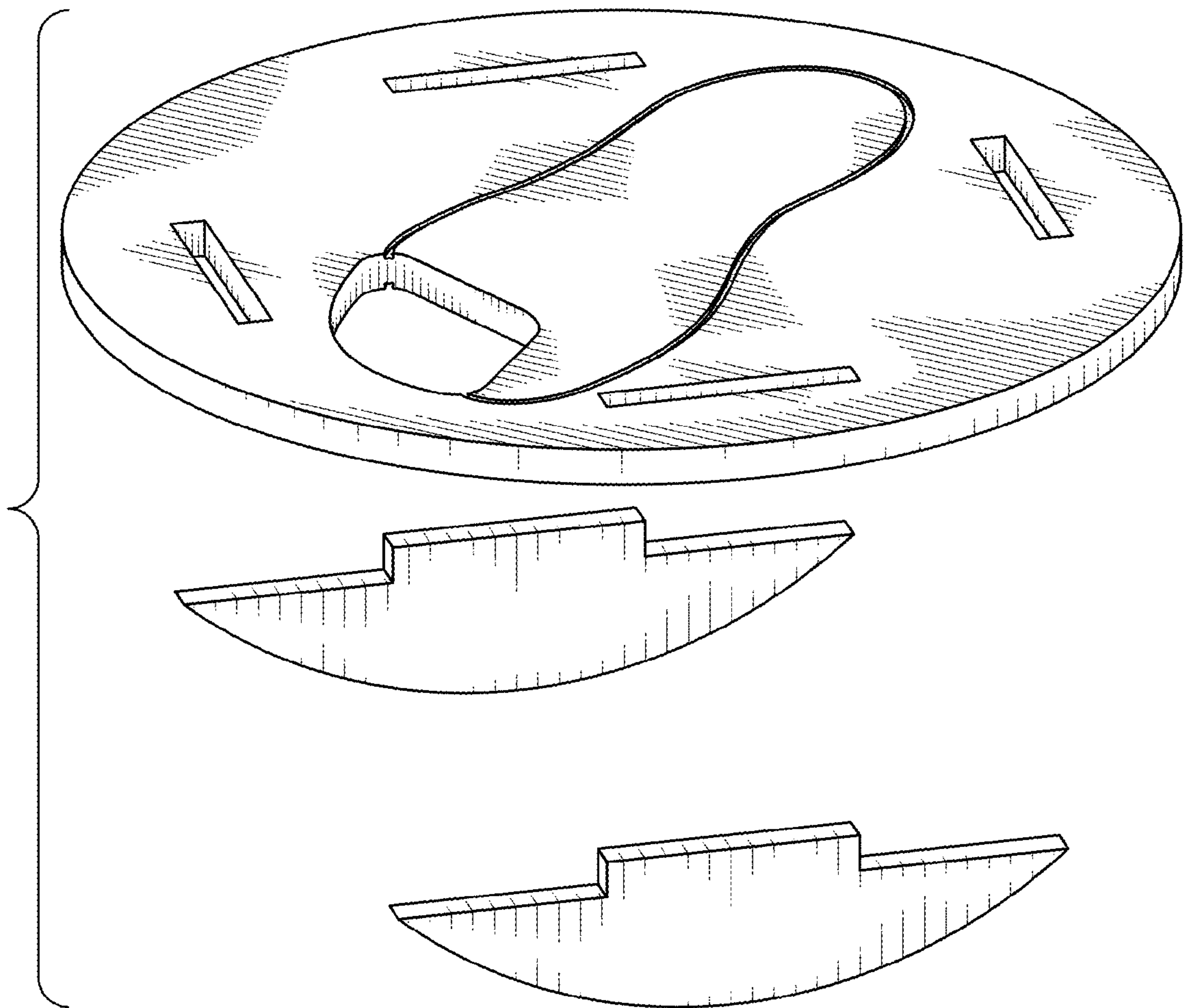


FIG. 2

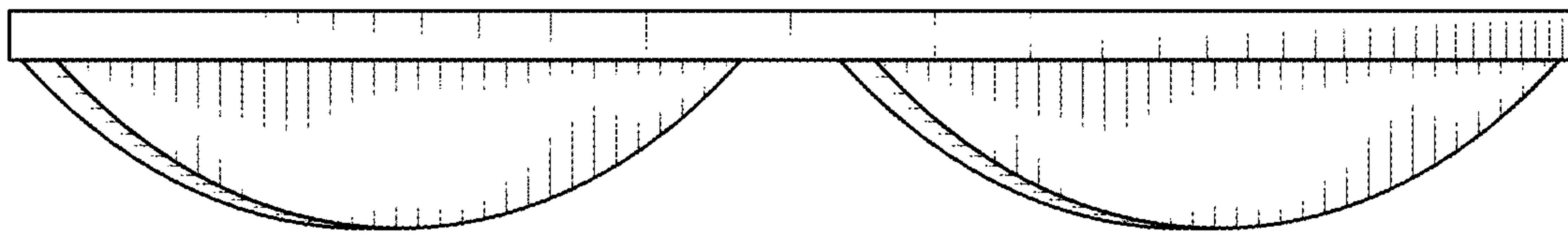


FIG. 3

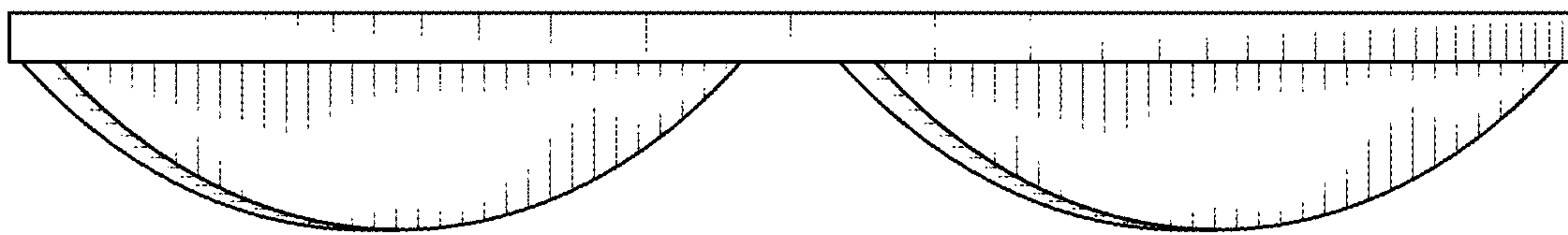


FIG. 4

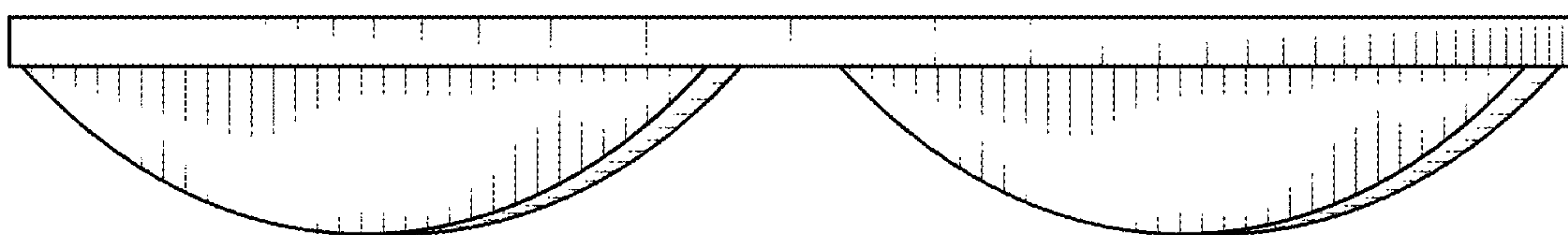


FIG. 5

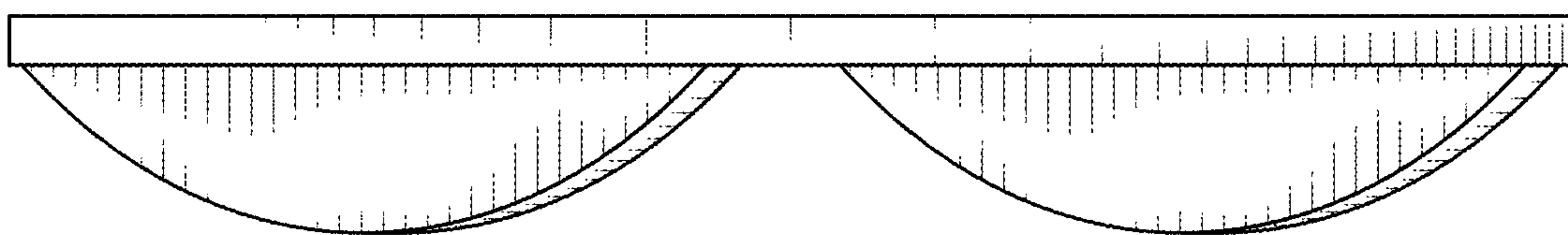


FIG. 6

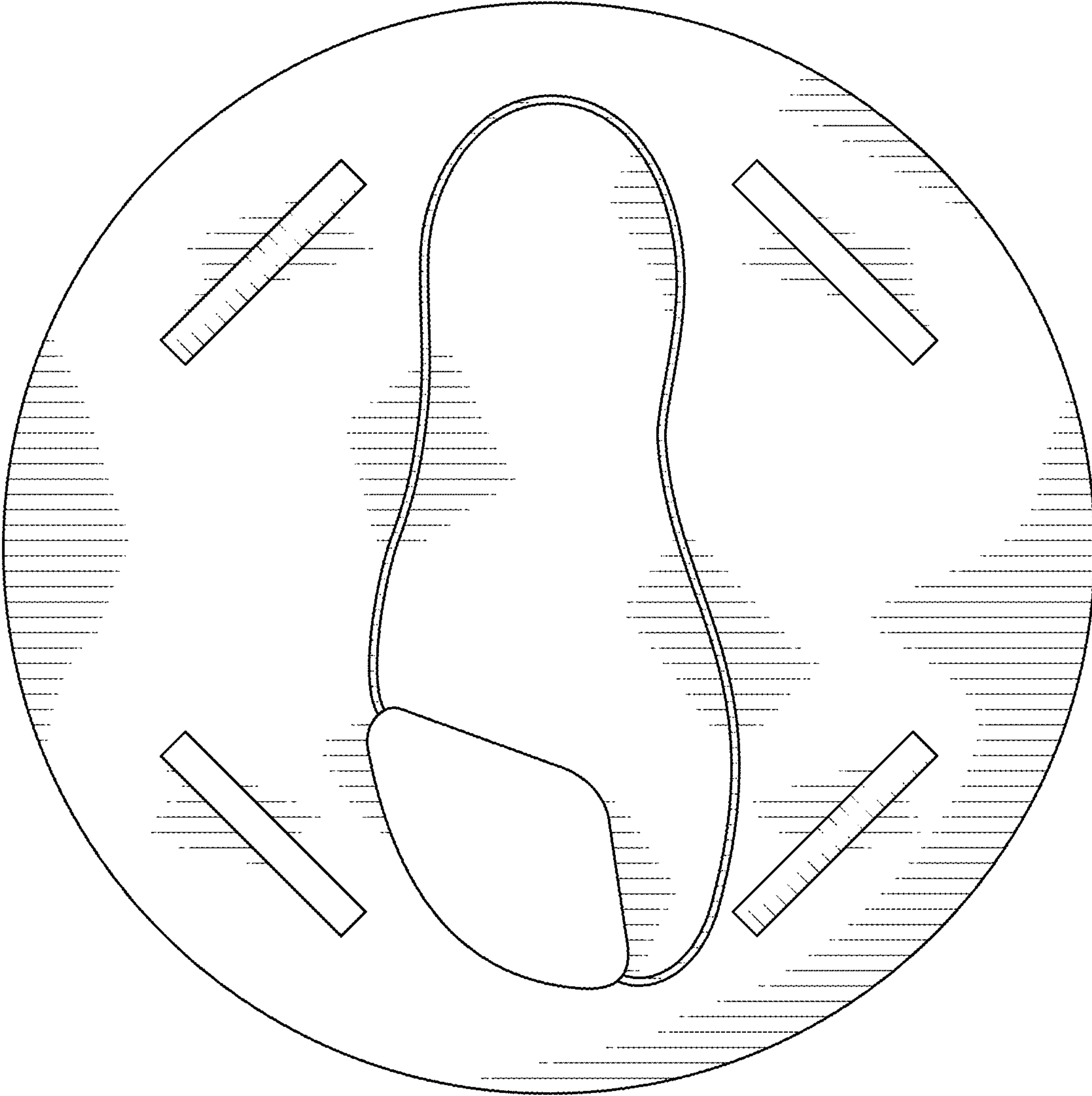


FIG. 7

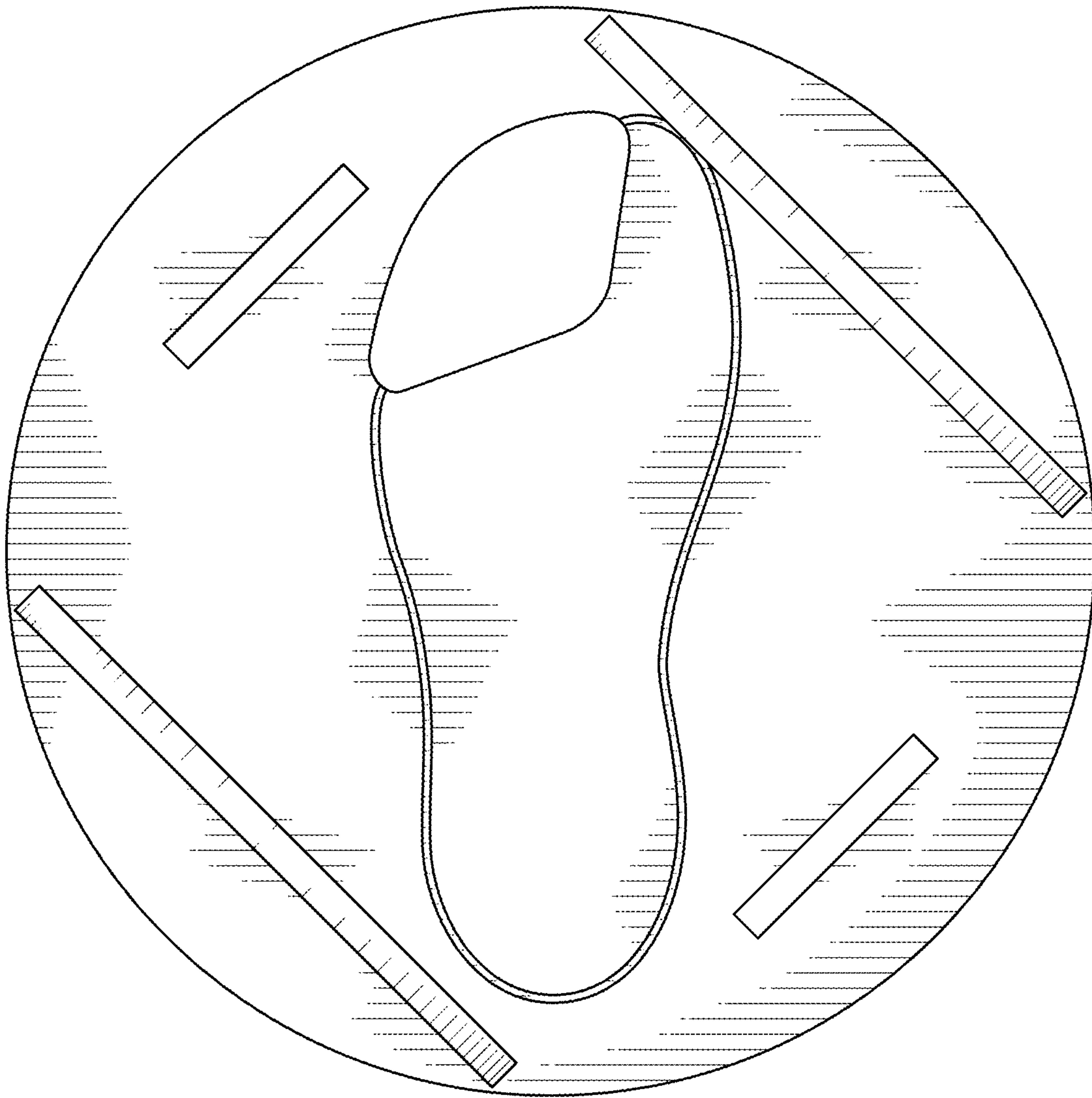


FIG. 8

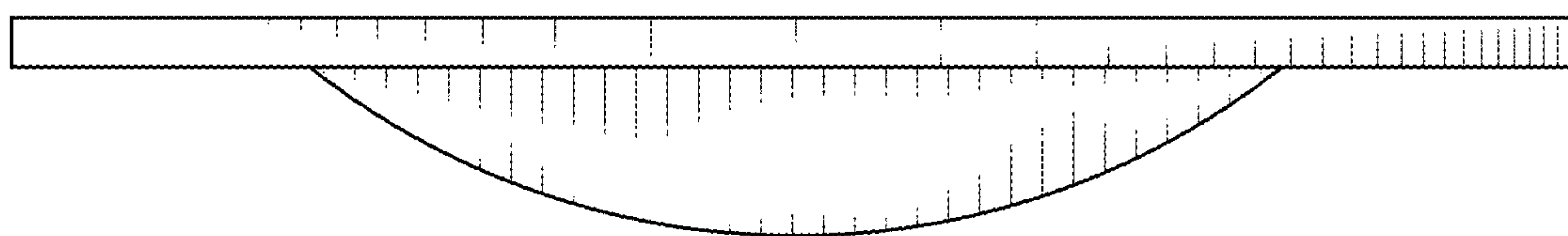


FIG. 9

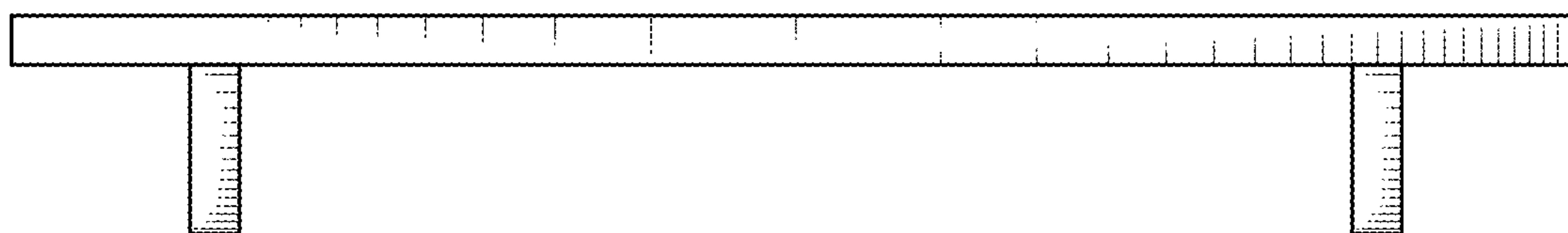


FIG. 10

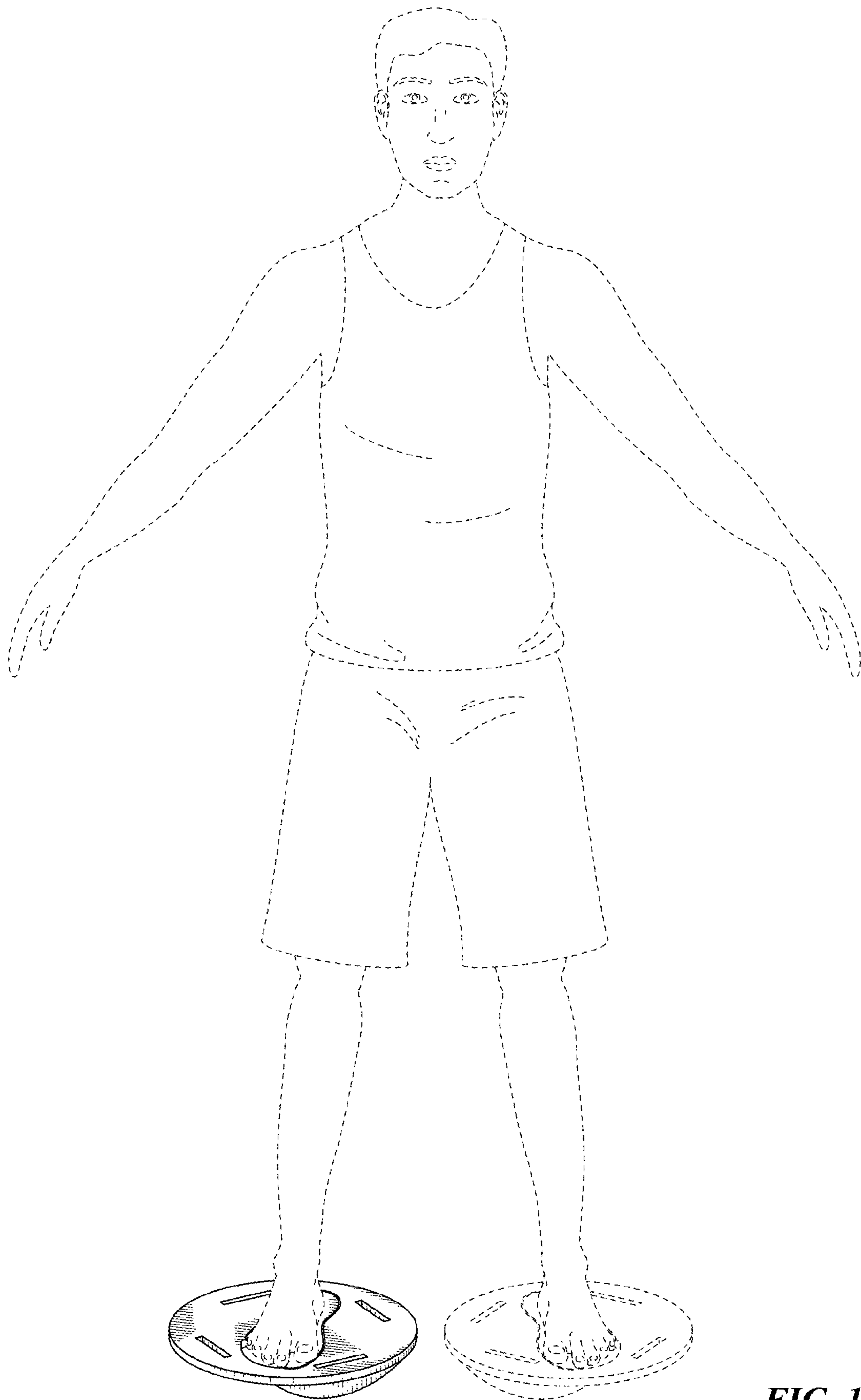


FIG. 11

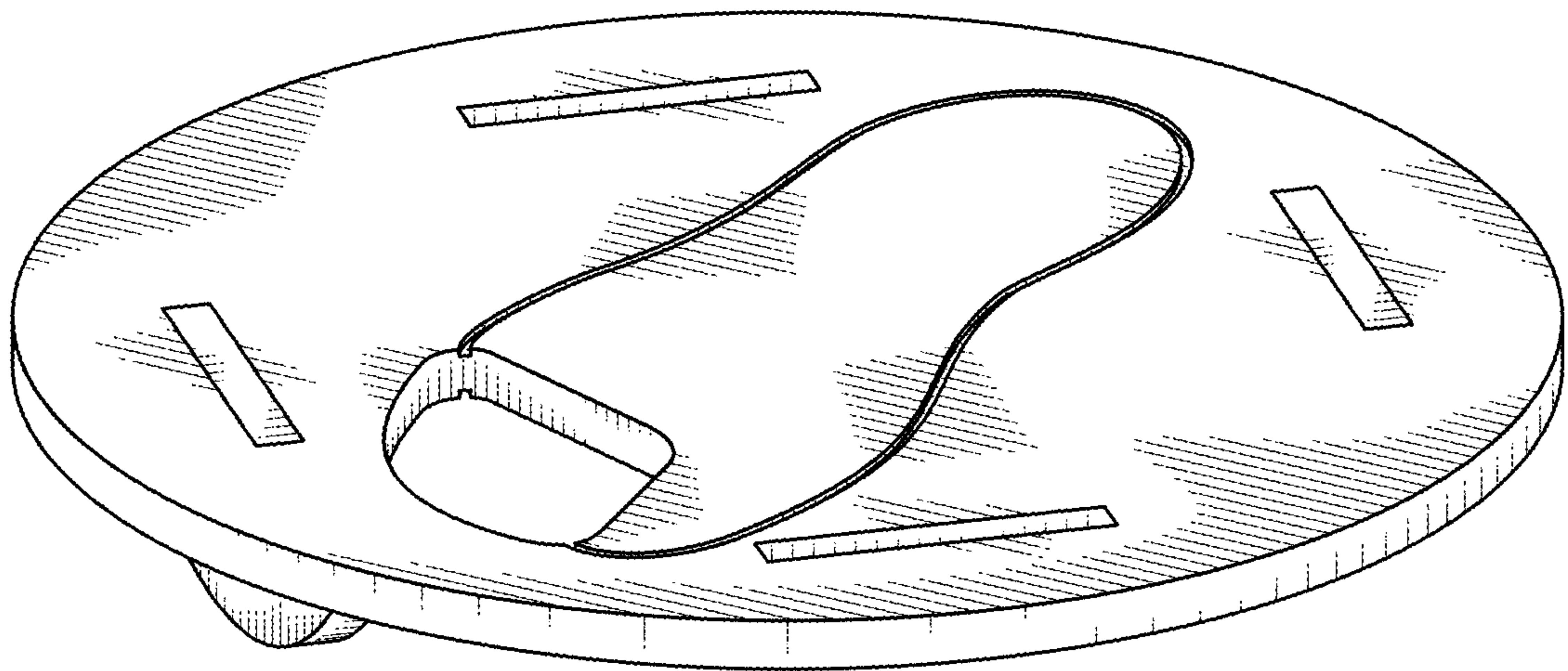


FIG. 12

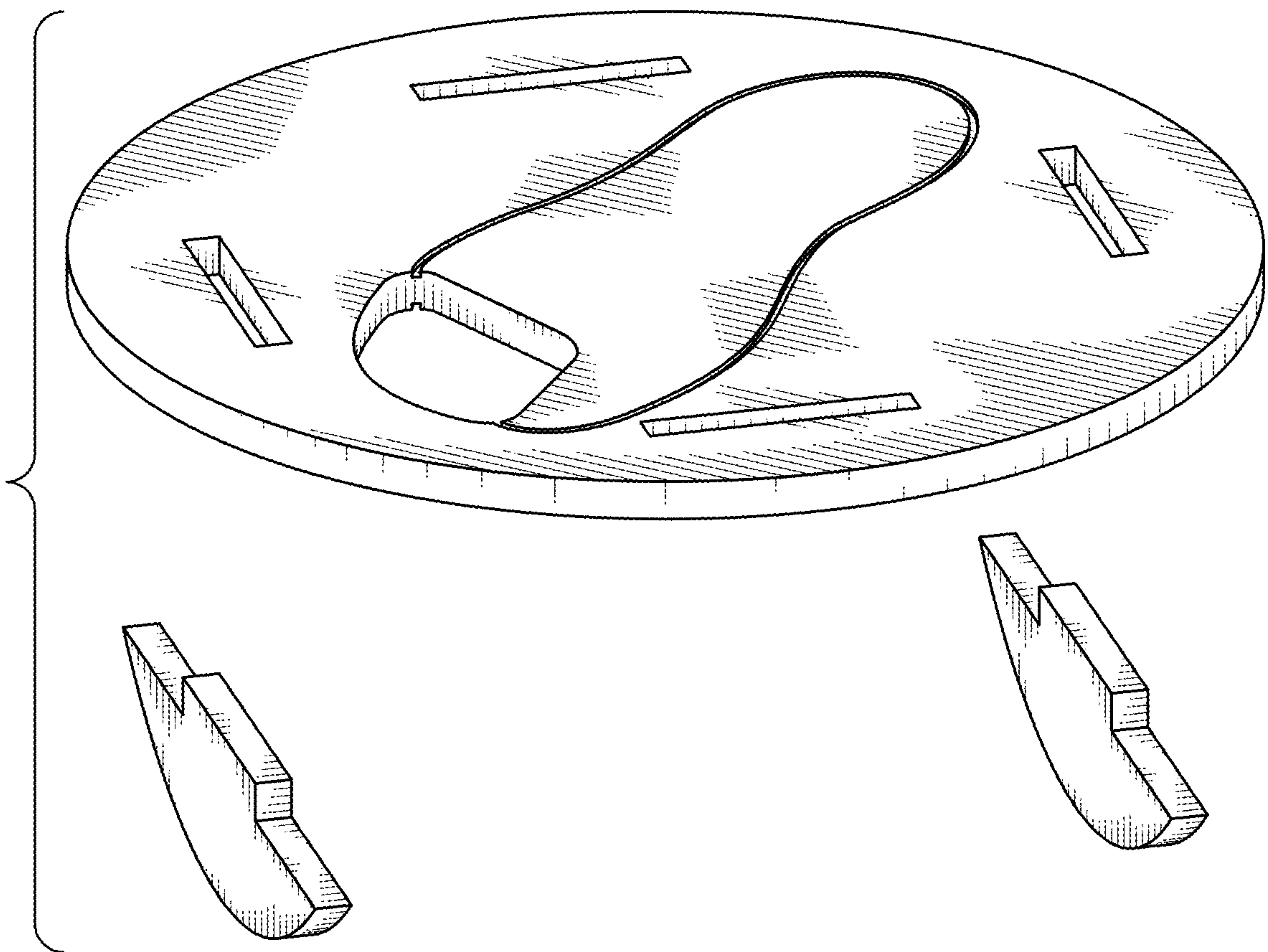


FIG. 13