



US00D870826S

(12) **United States Design Patent** (10) **Patent No.:** **US D870,826 S**  
**Jiajia** (45) **Date of Patent:** **\*\* Dec. 24, 2019**

(54) **TOY**  
(71) Applicant: **Xu Jiajia**, Shantou (CN)  
(72) Inventor: **Xu Jiajia**, Shantou (CN)  
(\*\*) Term: **15 Years**

D324,550 S \* 3/1992 Berggreen ..... D21/408  
D334,696 S \* 4/1993 Makris ..... D21/599  
D351,471 S \* 10/1994 Abrams ..... D21/615  
D451,774 S \* 12/2001 Kelleghan ..... D8/18  
D496,250 S \* 9/2004 Kelleghan ..... D8/356  
D715,997 S \* 10/2014 Lash ..... A45D 8/24  
D28/40  
D826,414 S \* 8/2018 Greenwald ..... D24/195  
D840,790 S \* 2/2019 Xu ..... D8/367  
2017/0215615 A1 \* 8/2017 Prosize ..... A61J 9/0607

(21) Appl. No.: **29/642,556**

(22) Filed: **Mar. 30, 2018**

(51) **LOC (12) Cl.** ..... **21-01**

(52) **U.S. Cl.**  
USPC ..... **D21/598**; D21/398; D21/408; D21/615;  
D24/195

(58) **Field of Classification Search**  
USPC ..... D21/398, 406, 408, 465, 467, 468, 474,  
D21/475, 476, 483, 484, 493, 502, 503,  
D21/532, 576, 597, 598, 599, 615, 618,  
D21/658, 659; D24/193-195; D3/207,  
D3/208, 211; D8/21, 26, 33, 34, 38, 356,  
D8/367, 394-396; D11/201, 205, 211, 2,  
D11/3-5, 44, 49, 50, 82, 93; D28/33,  
D28/39-42; 446/26-28, 227, 228, 418,  
446/419, 421, 486, 487, 489  
CPC .... A63H 33/00; A63H 33/006; A63H 33/062;  
A63H 33/065; A63H 33/30; A63H  
33/3072; A63H 33/42; A61J 17/00; A61J  
17/001; A61J 17/02  
See application file for complete search history.

(56) **References Cited**

**U.S. PATENT DOCUMENTS**

D139,627 S \* 12/1944 Camp ..... D8/367  
D168,449 S \* 12/1952 Honig ..... D28/39  
D200,382 S \* 2/1965 Smith ..... D24/194  
D234,966 S \* 4/1975 Langieri et al. .... D21/408

**FOREIGN PATENT DOCUMENTS**

CN 300986501 \* 8/2009  
CN 301285611 \* 7/2010  
CN 303267229 \* 7/2015  
CN 303729771 \* 6/2016  
IL 39809 \* 10/2006

\* cited by examiner

*Primary Examiner* — Catherine A Tuttle  
(74) *Attorney, Agent, or Firm* — Law Offices of Steven  
W. Weinrieb

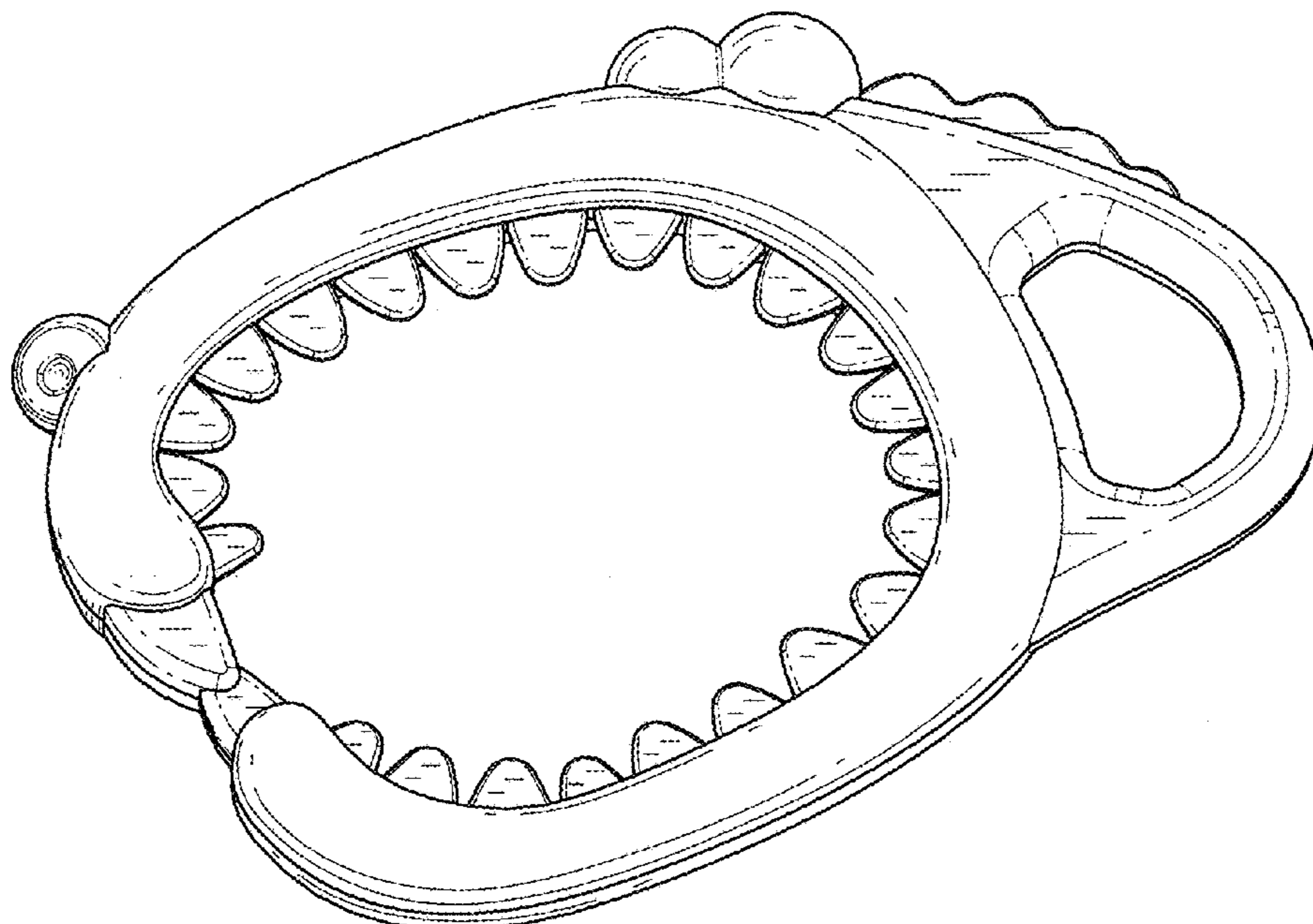
(57) **CLAIM**

The ornamental design for a toy, as shown and described.

**DESCRIPTION**

FIG. 1 is a front, right and top perspective view of the toy showing my new design;  
FIG. 2 is a rear, left and bottom perspective view thereof;  
FIG. 3 is a front elevational view thereof;  
FIG. 4 is a rear elevational view thereof;  
FIG. 5 is a left side elevational view thereof;  
FIG. 6 is a right side elevational view thereof;  
FIG. 7 is a top plan view thereof; and,  
FIG. 8 is a bottom plan view thereof.

**1 Claim, 8 Drawing Sheets**



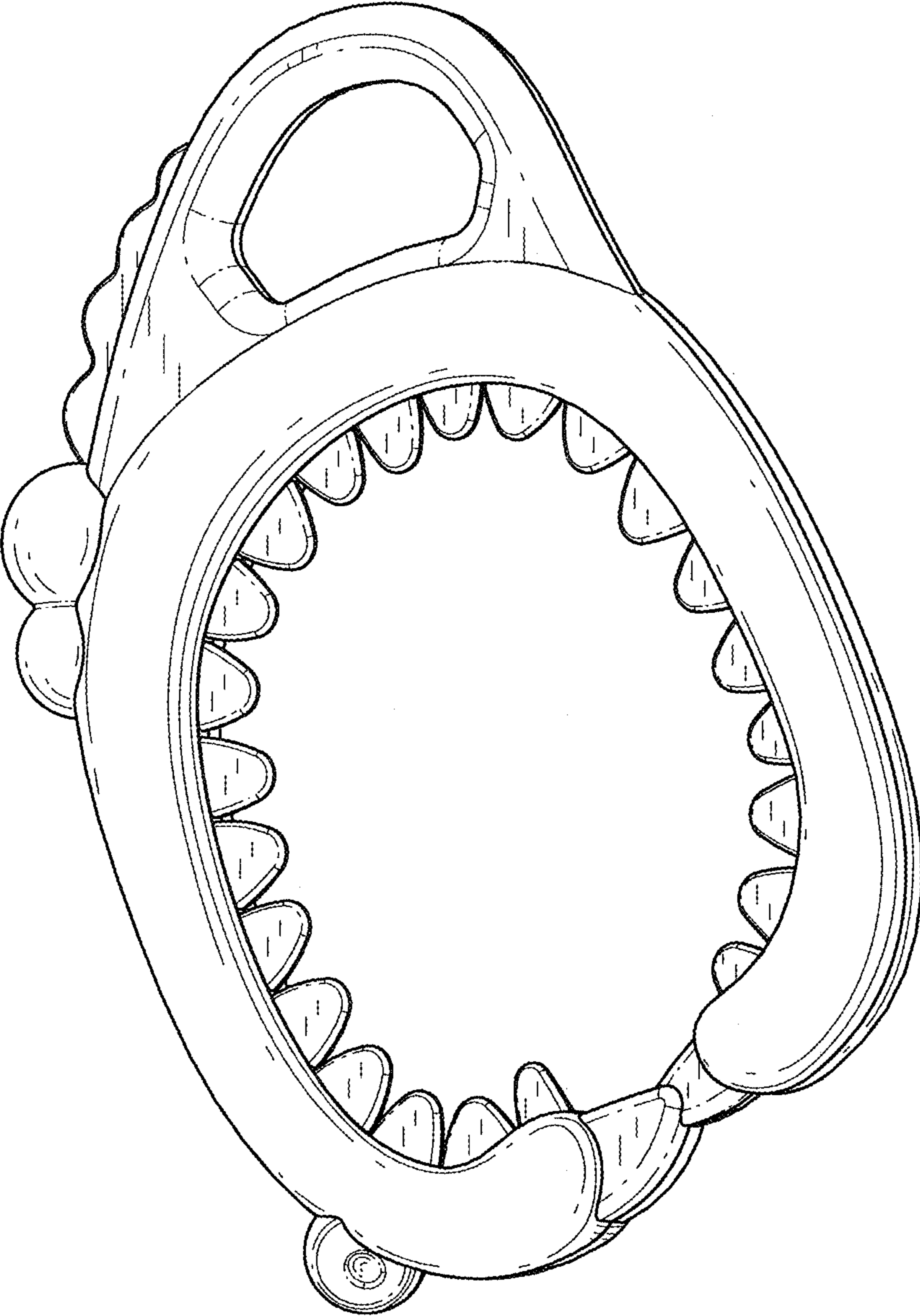


FIG. 1

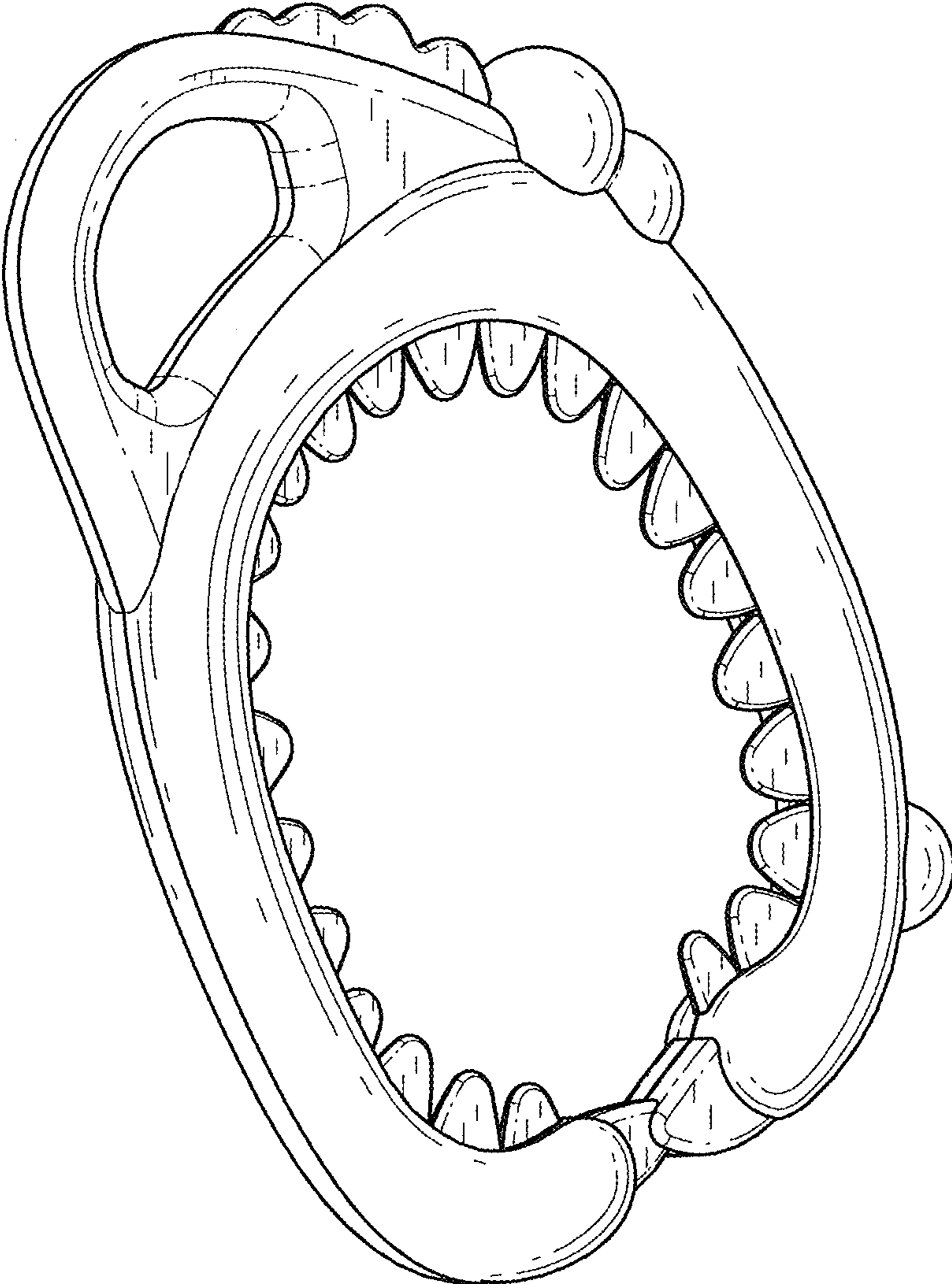


FIG. 2

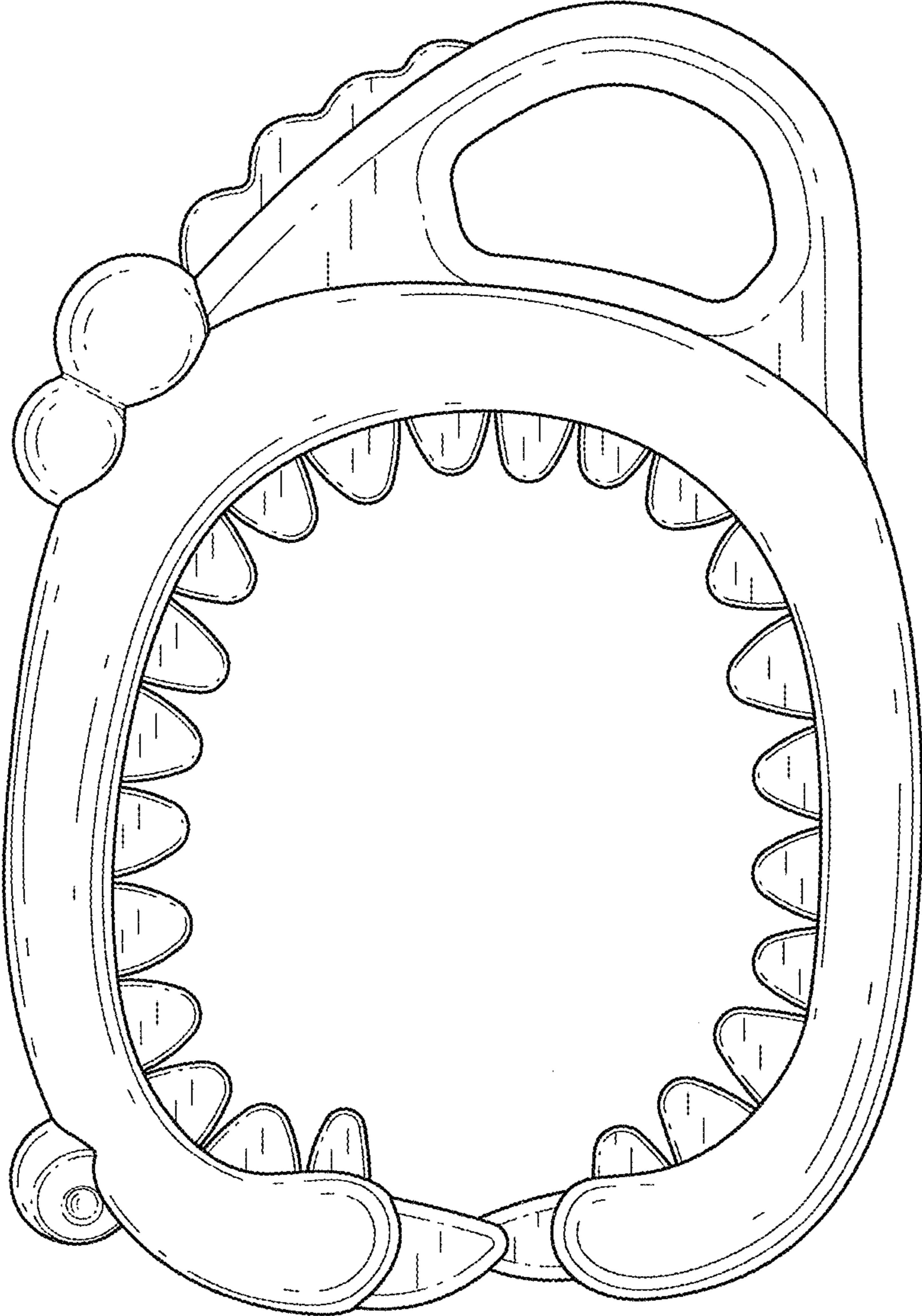


FIG. 3

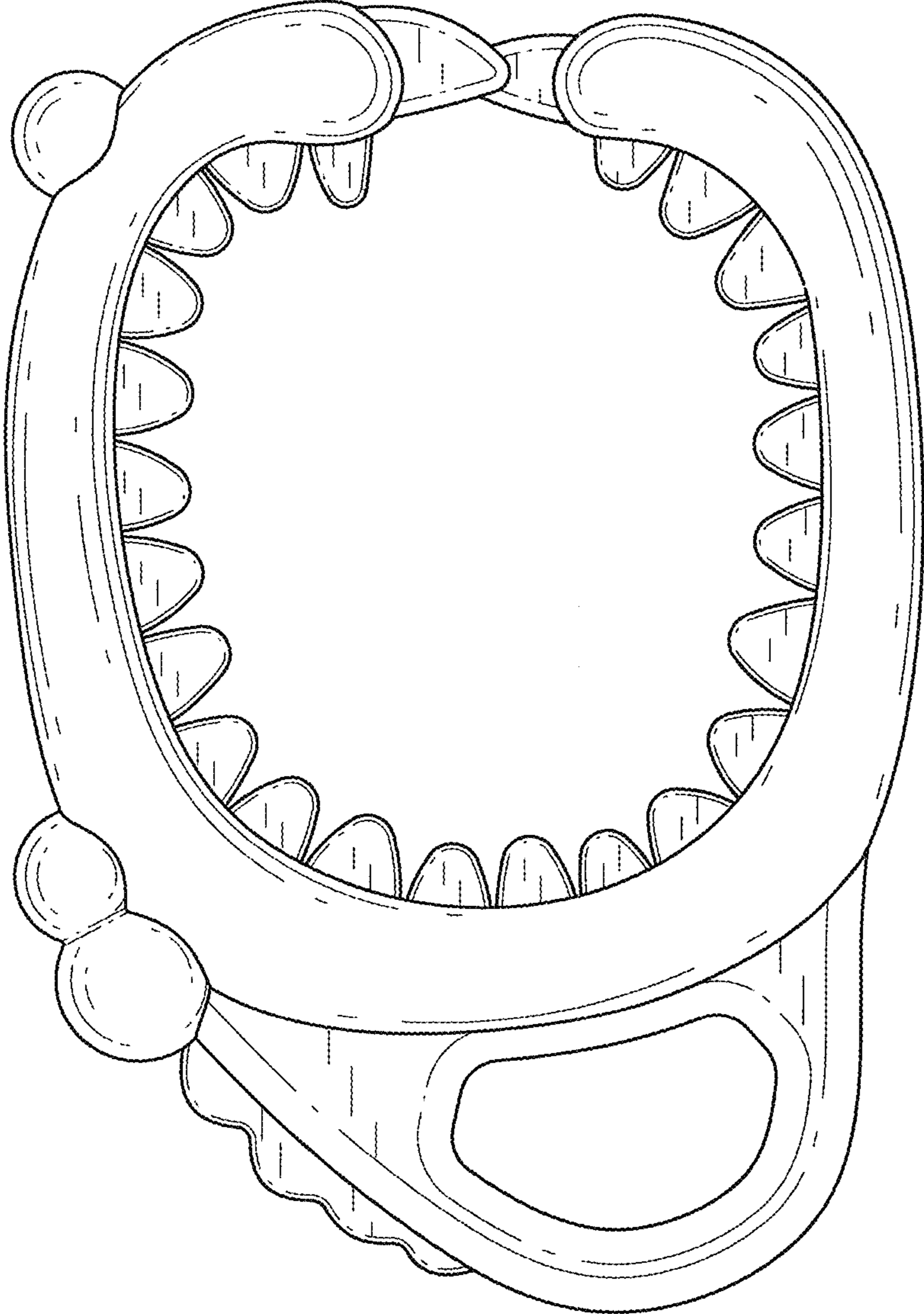


FIG. 4

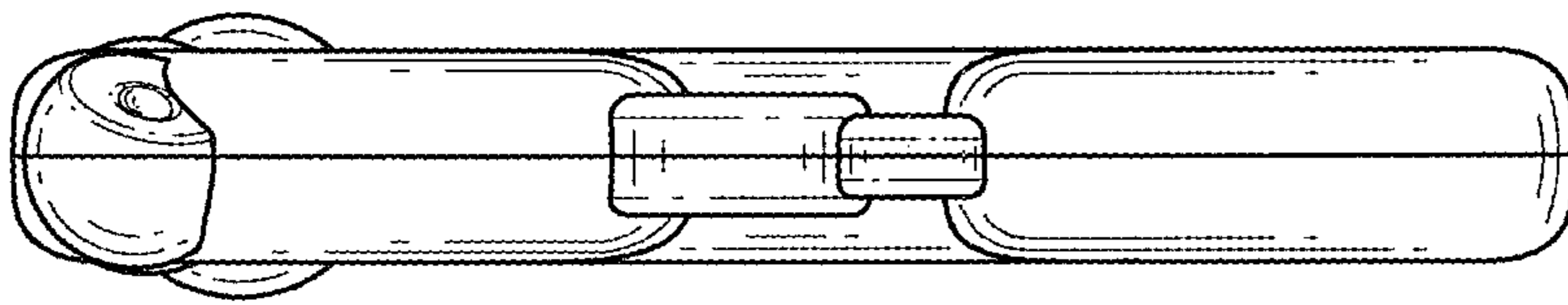


FIG. 5

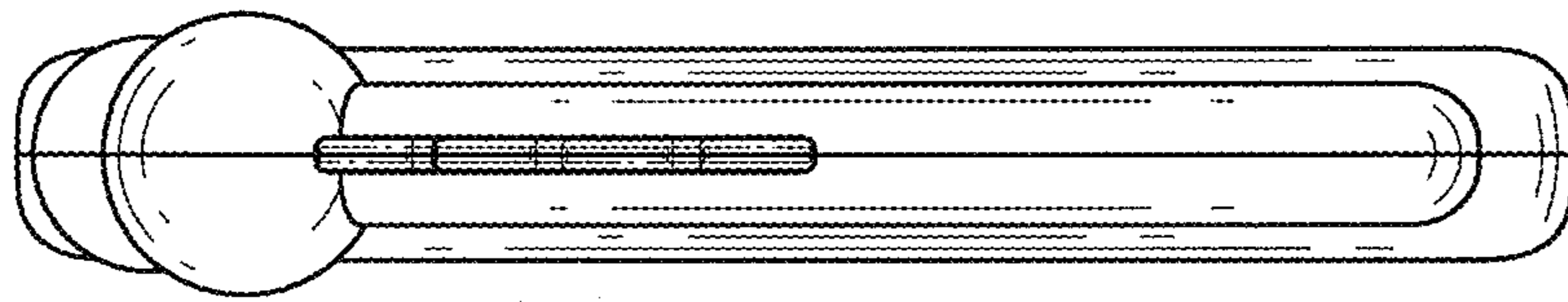


FIG. 6

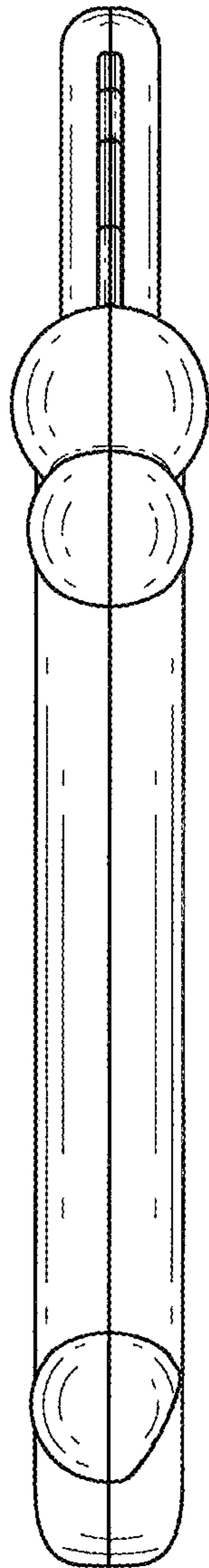


FIG. 7



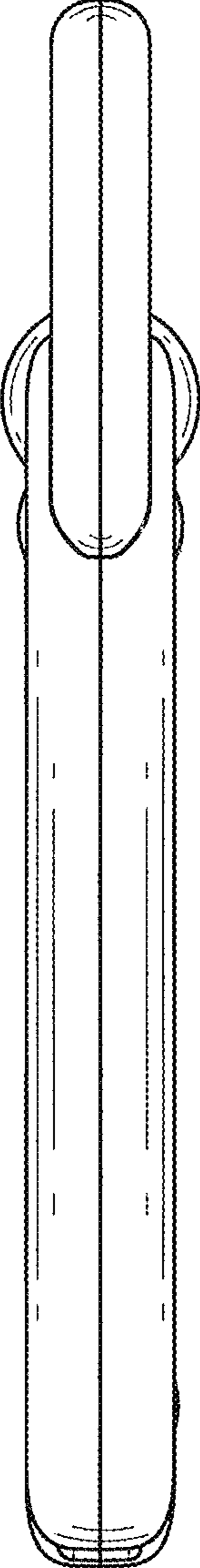


FIG. 8