

US00D870825S

(12) **United States Design Patent**
Wang et al.

(10) **Patent No.:** **US D870,825 S**

(45) **Date of Patent:** **** Dec. 24, 2019**

(54) **CONTROLLER**

(71) Applicant: **SZ DJI Technology Co., Ltd.**,
Shenzhen (CN)

(72) Inventors: **Zhen Wang**, Shenzhen (CN); **Shaojie Chen**, Shenzhen (CN)

(73) Assignee: **SZ DJI Technology Co., Ltd.**,
Shenzhen (CN)

(**) Term: **15 Years**

(21) Appl. No.: **29/647,988**

(22) Filed: **May 17, 2018**

Related U.S. Application Data

(63) Continuation of application No. 29/599,975, filed on Apr. 7, 2017, now Pat. No. Des. 821,506.

(51) **LOC (12) Cl.** **21-01**

(52) **U.S. Cl.**
USPC **D21/566**

(58) **Field of Classification Search**
USPC D13/168; D14/195, 218; D21/333, 561,
D21/566; D12/174, 345
CPC A63F 13/06; A63H 30/04; G08C 17/02;
G08C 23/04

See application file for complete search history.

(56) **References Cited**

U.S. PATENT DOCUMENTS

D344,553 S *	2/1994	Arai	D21/566
5,525,972 A	6/1996	Inokoshi		
D471,603 S *	3/2003	Morita	D21/566
D517,129 S	3/2006	Yamamoto et al.		
D521,573 S	5/2006	Jinno et al.		
7,250,844 B2	7/2007	Arai et al.		
D573,204 S	7/2008	Arai et al.		
D594,071 S	6/2009	Jinno		
D636,825 S	4/2011	Tanaka et al.		
D650,021 S	12/2011	Suzuki et al.		
8,075,364 B2	12/2011	Wai et al.		
D670,768 S	11/2012	Isono et al.		

D740,708 S	10/2015	Pecorari		
D749,527 S *	2/2016	Ll	D13/168
D780,269 S	2/2017	Isono et al.		
D794,135 S *	8/2017	Snyder	D21/566
9,829,909 B2	11/2017	Yamaguchi et al.		
9,855,512 B1	1/2018	Wong		
D821,506 S *	6/2018	Wang	D21/566

(Continued)

OTHER PUBLICATIONS

JD510 Controller; prior to Apr. 7, 2017; 1 pg.; https://www.google.com/search?hl=en&biw=1536&bih=813&tbs=cd:3A1%2Ccd_max%3A4%2F7%2F2017&tbm=isch&sa=1&ei=KecTXdzGO-7n_QazirHADQ&q+=drone+controller&oq+=drone+controller&gs_l=img.12..0i67j018.111387.111387..112866...0.0..0.57.57.1.....0...1..gws-wiz-img.*

(Continued)

Primary Examiner — Selina Sikder

(74) *Attorney, Agent, or Firm* — Sterne, Kessler, Goldstein & Fox P.L.L.C.

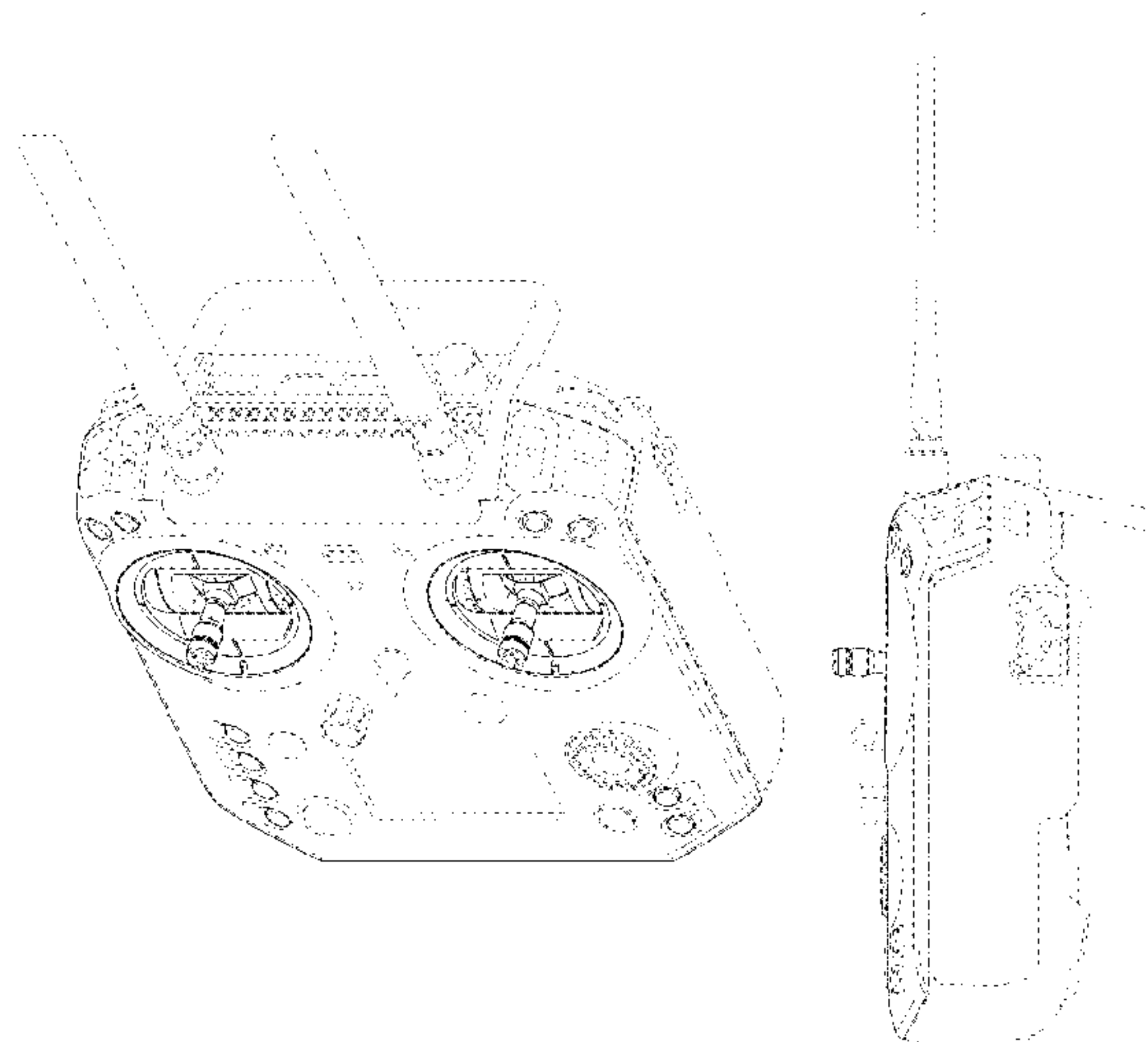
(57) **CLAIM**

The ornamental design for a controller, as shown and described.

DESCRIPTION

FIG. 1 is a top front perspective view of a controller showing the claimed design;
FIG. 2 is a bottom rear perspective view thereof;
FIG. 3 is a front view thereof;
FIG. 4 is a rear view thereof;
FIG. 5 is a left side view thereof;
FIG. 6 is a right side view thereof;
FIG. 7 is a top view thereof; and,
FIG. 8 is a bottom view thereof.
The dashed broken lines in the figures show portions of the controller that form no part of the claimed design.
The dot-dash broken lines in the figures show boundaries that form no part of the claimed design.

1 Claim, 6 Drawing Sheets



(56)

References Cited

U.S. PATENT DOCUMENTS

2014/0111317 A1 4/2014 Shen
 2016/0124458 A1 5/2016 Yamaguchi et al.
 2018/0067514 A1* 3/2018 Snyder G05G 9/047
 2018/0095492 A1* 4/2018 Matloff A63H 27/12

OTHER PUBLICATIONS

Holy Stone HS110 Drone Controller; prior to Apr. 7, 2017; 1 pg.;
https://www.google.com/search?q=drone+controller&hl=en&biw=1536&bih=813&source=ln&tbs=cdr%3A1%2Ccd_min%3A%2Ccd_max%3A4%2F17%2F2017&tbm=isch#imgrc=NjKmGVivy6ED5M:&spf=1562014243282.*

3DR Drone Controller; prior to Apr. 7, 2017; 1 pg.; https://www.google.com/search?hl=en&biw=1536&bih=813&tbs=cdr%3A1%2Ccd_max%3A4%2F7%2F2017&tbm=isch&sa=1&ei=KecTXdzGO-7n_QazirHADQ&q+=drone+controller&oq+=drone+controller&gs_l=img.12..0i67j018.111387.111387..112866...0.0..0.57.57.1.....0...1.gws-wiz-img.HK8S5ie.*

Drone Controller, Circa-2011, OSCR prototype ; prior to Apr. 7, 2017; 1pg.; https://www.google.com/search?hl=en&biw=1536&bih=813&tbs=cdr%3A1%2Ccd_max%3A4%2F7%2F2017&tbm=isch&sa=1&ei=KecTXdzGO-7n_QazirHADQ&q+=drone+controller&oq+=drone+controller&gs_l=img.12..0i67j018.111387.111387..112866...0.0..0.57.57.1.....0.*

* cited by examiner

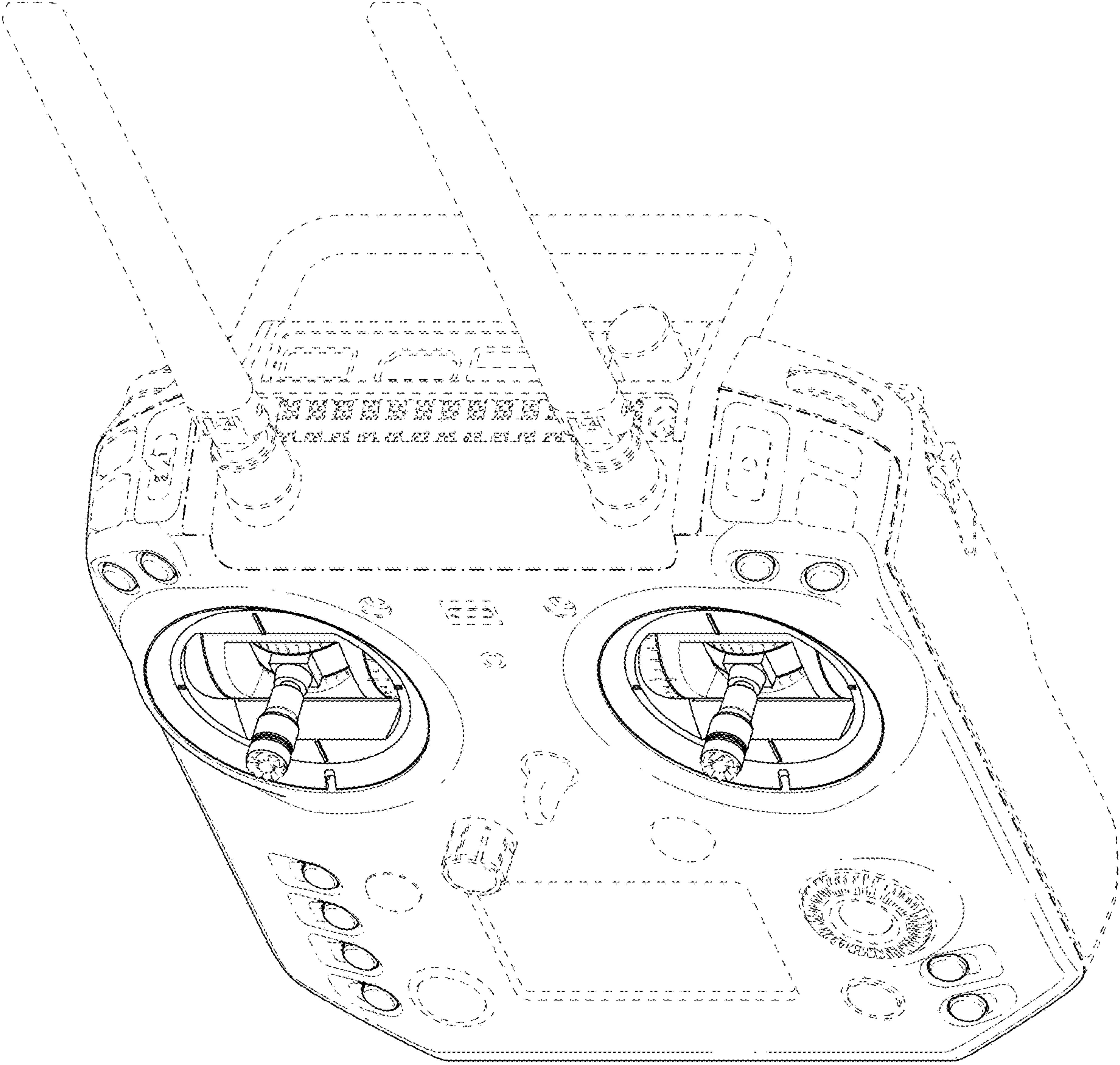


FIG. 1

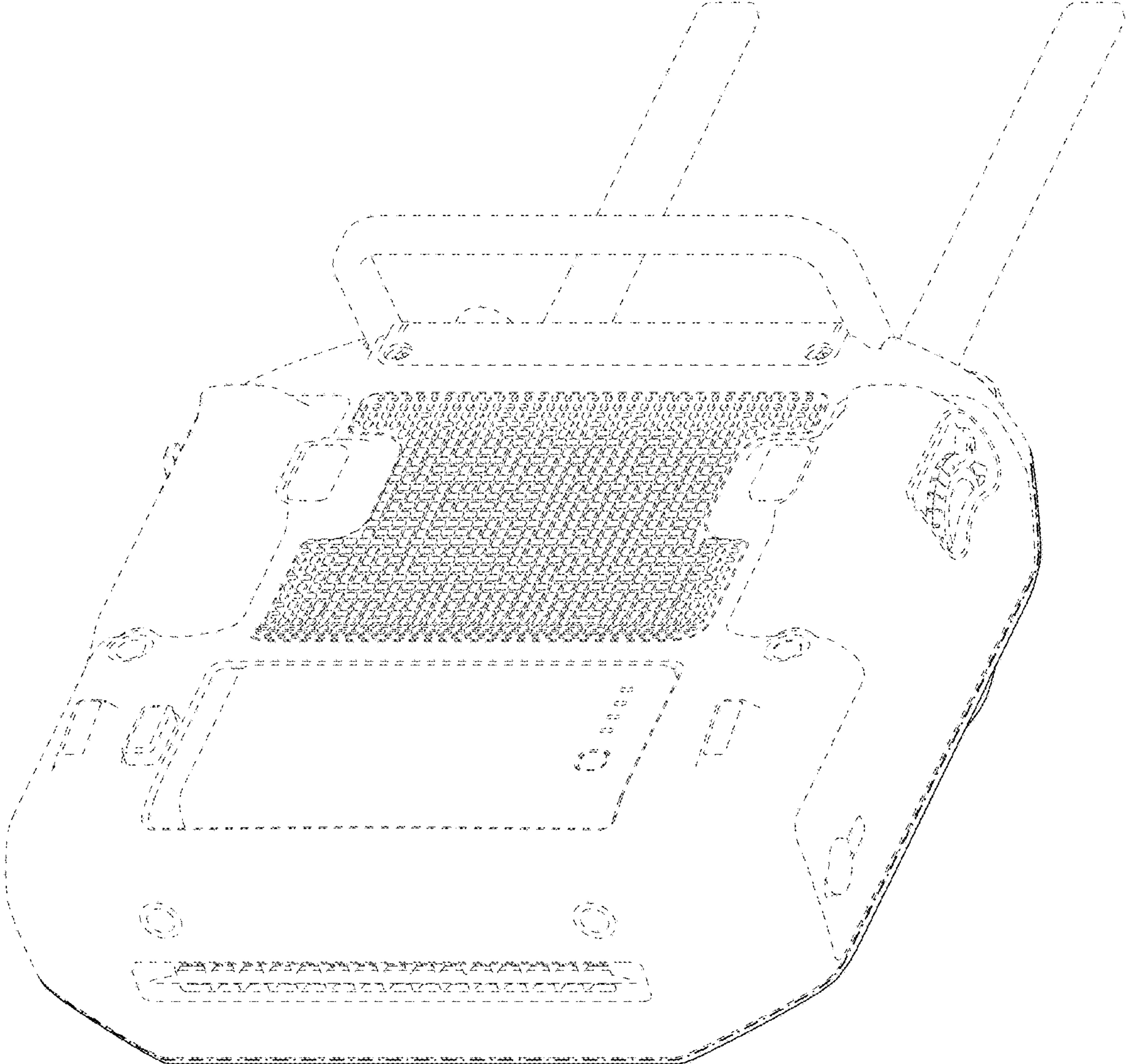


FIG. 2

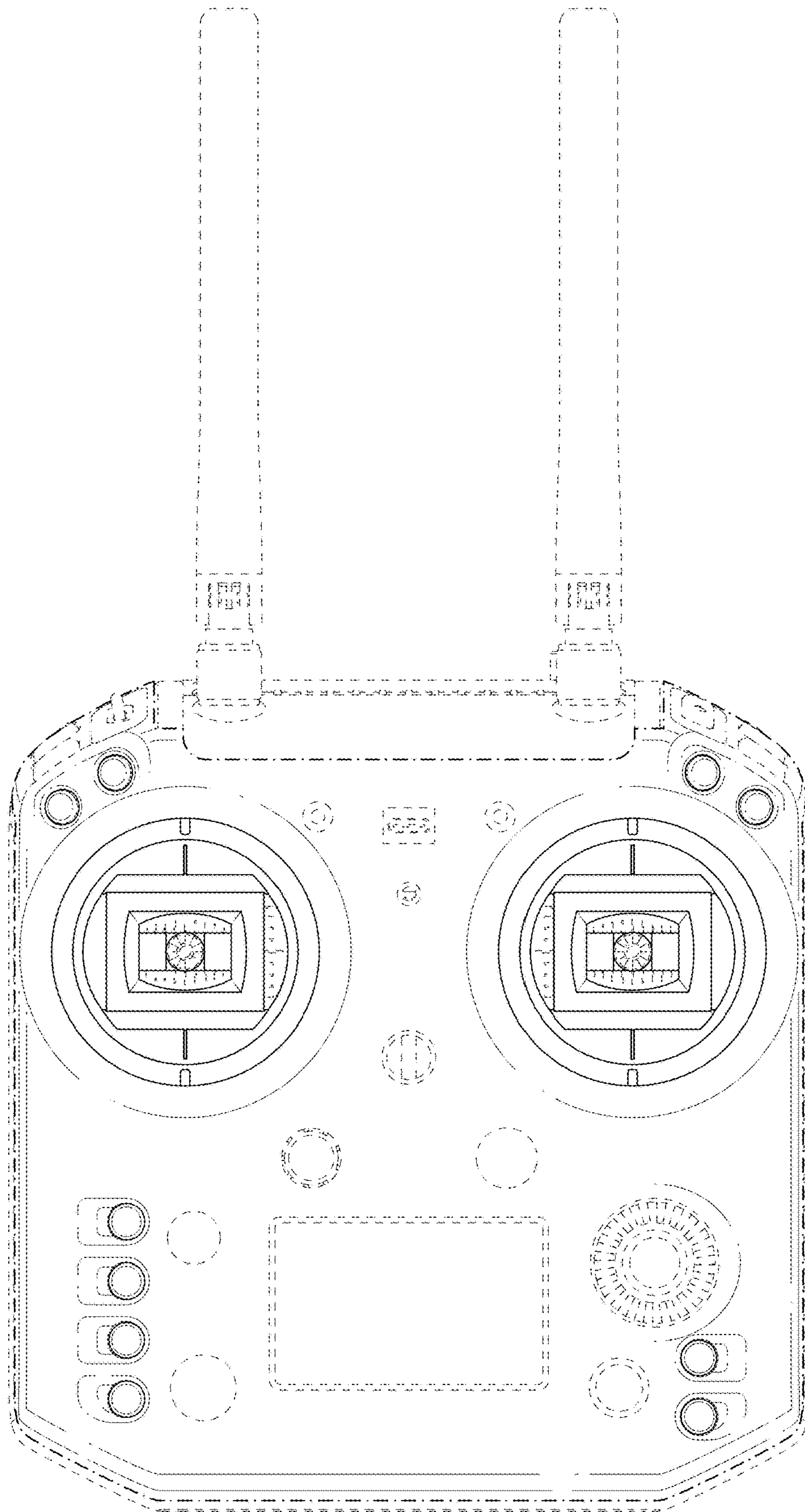


FIG. 3

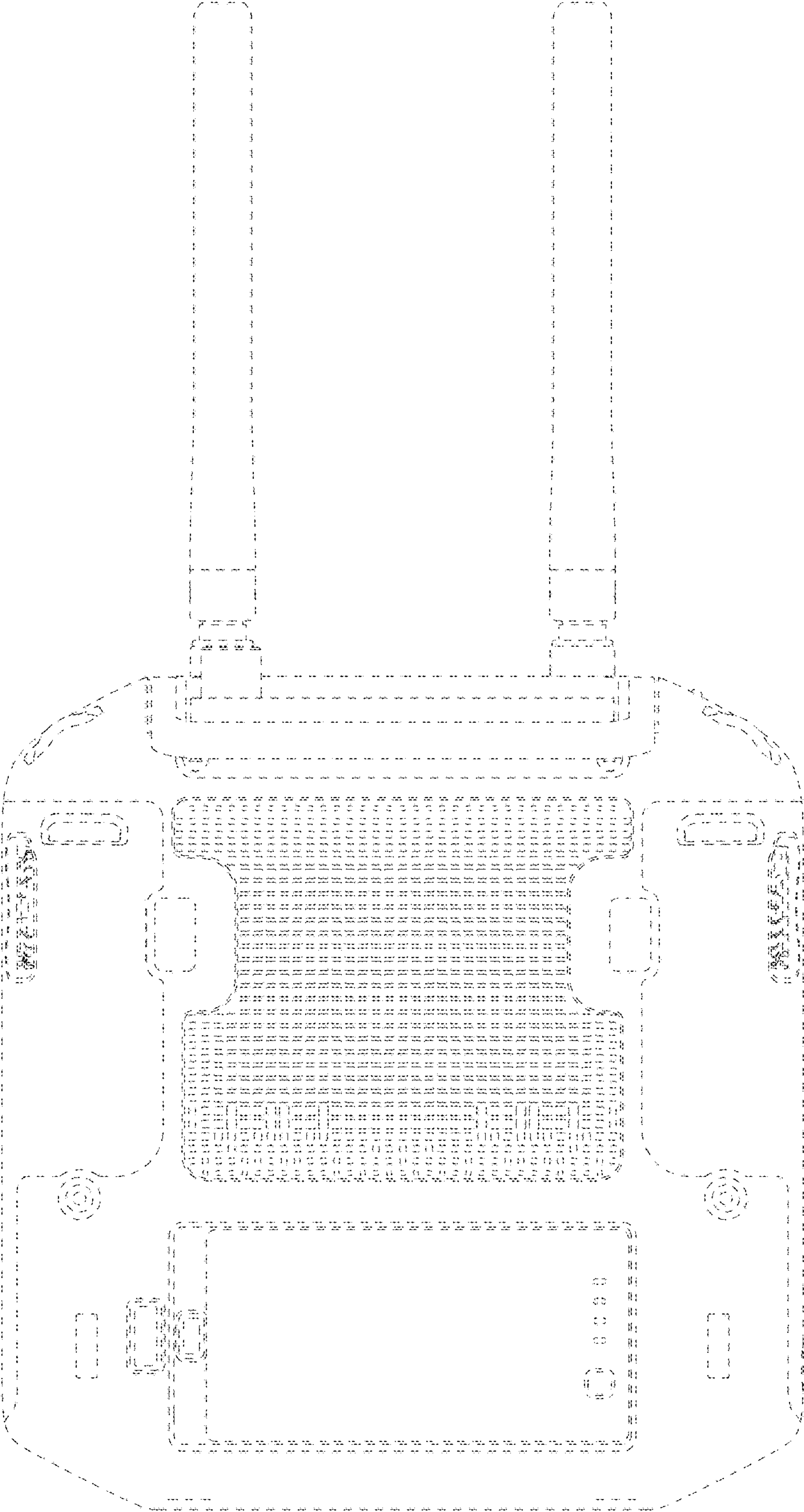


FIG. 4

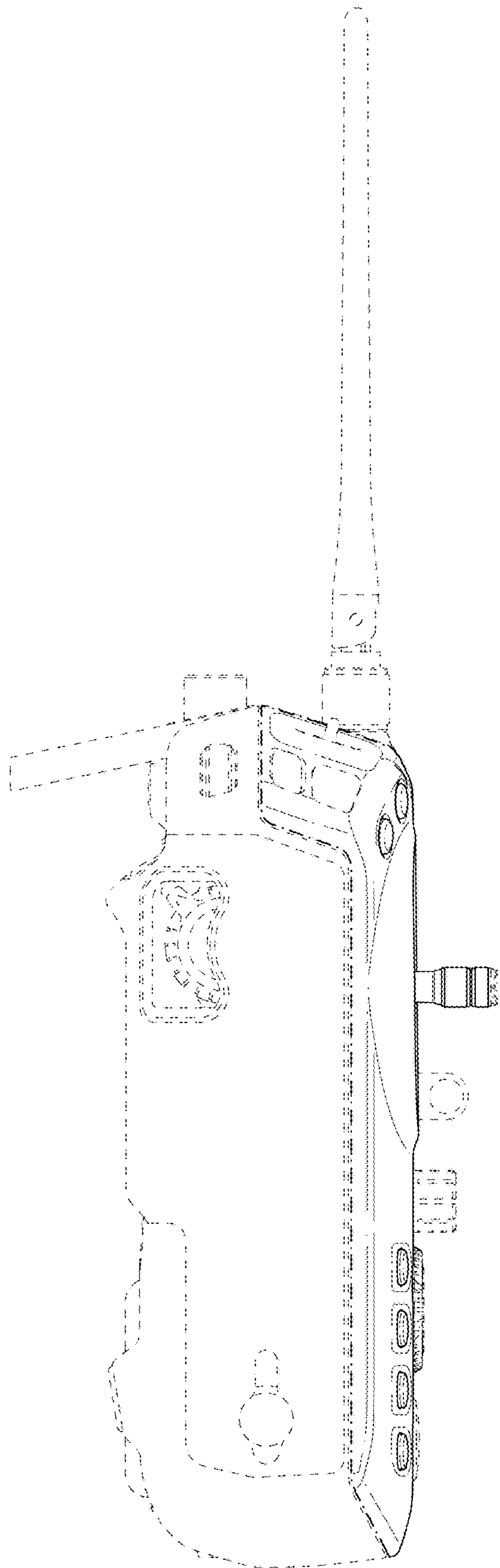


FIG. 5

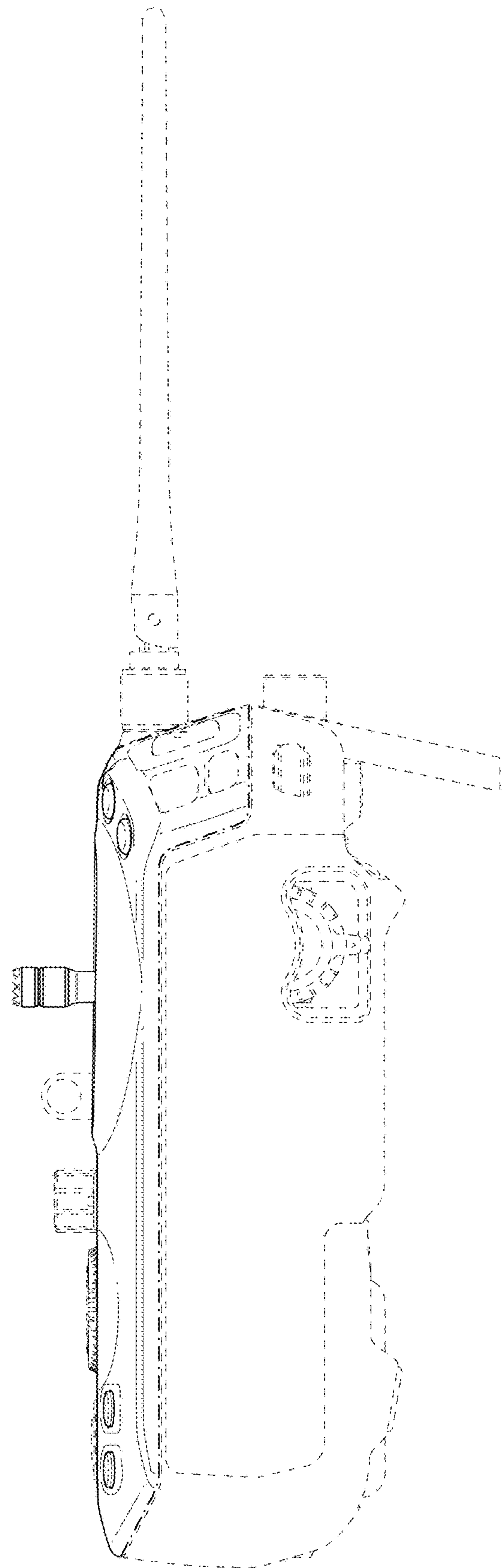


FIG. 6

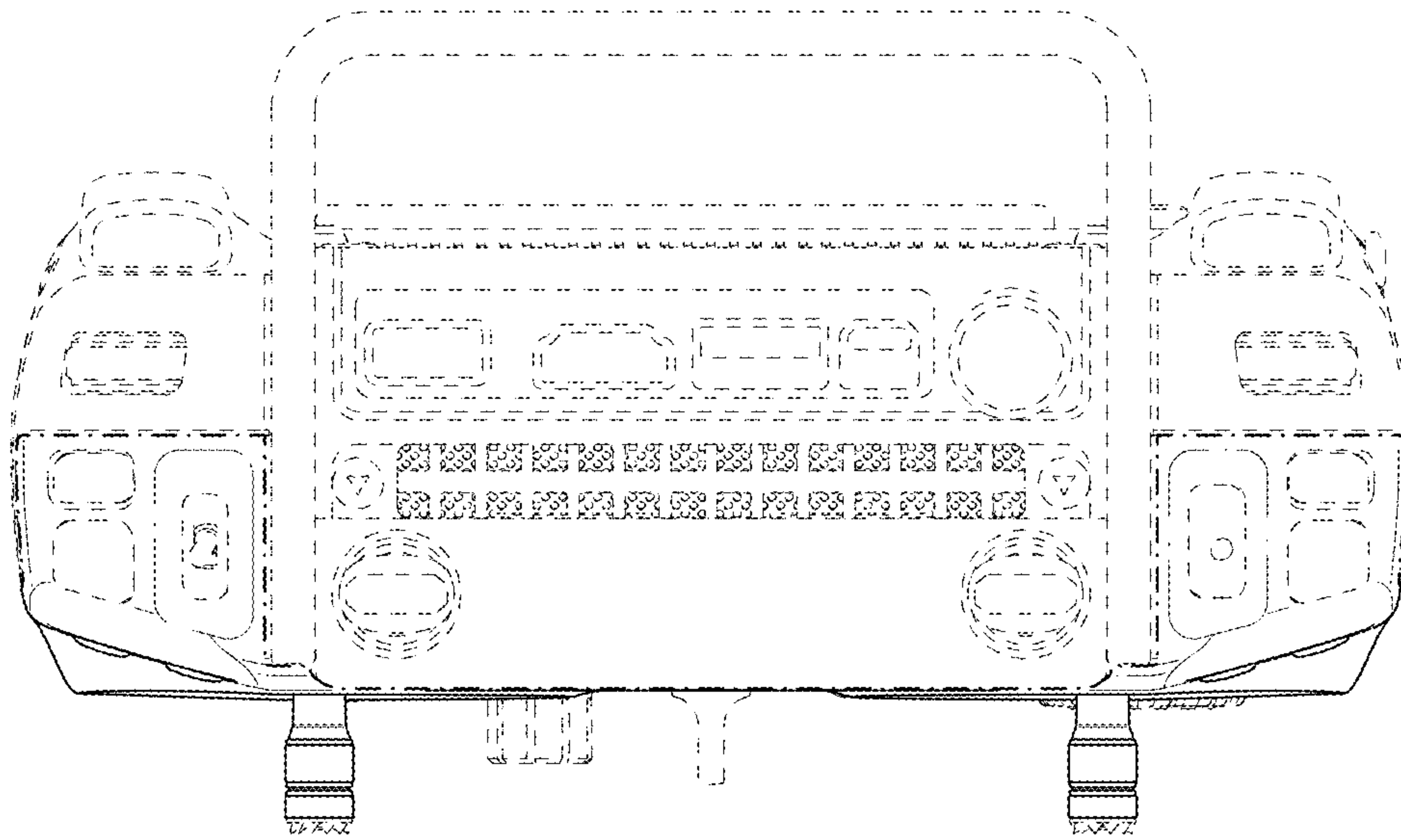


FIG. 7

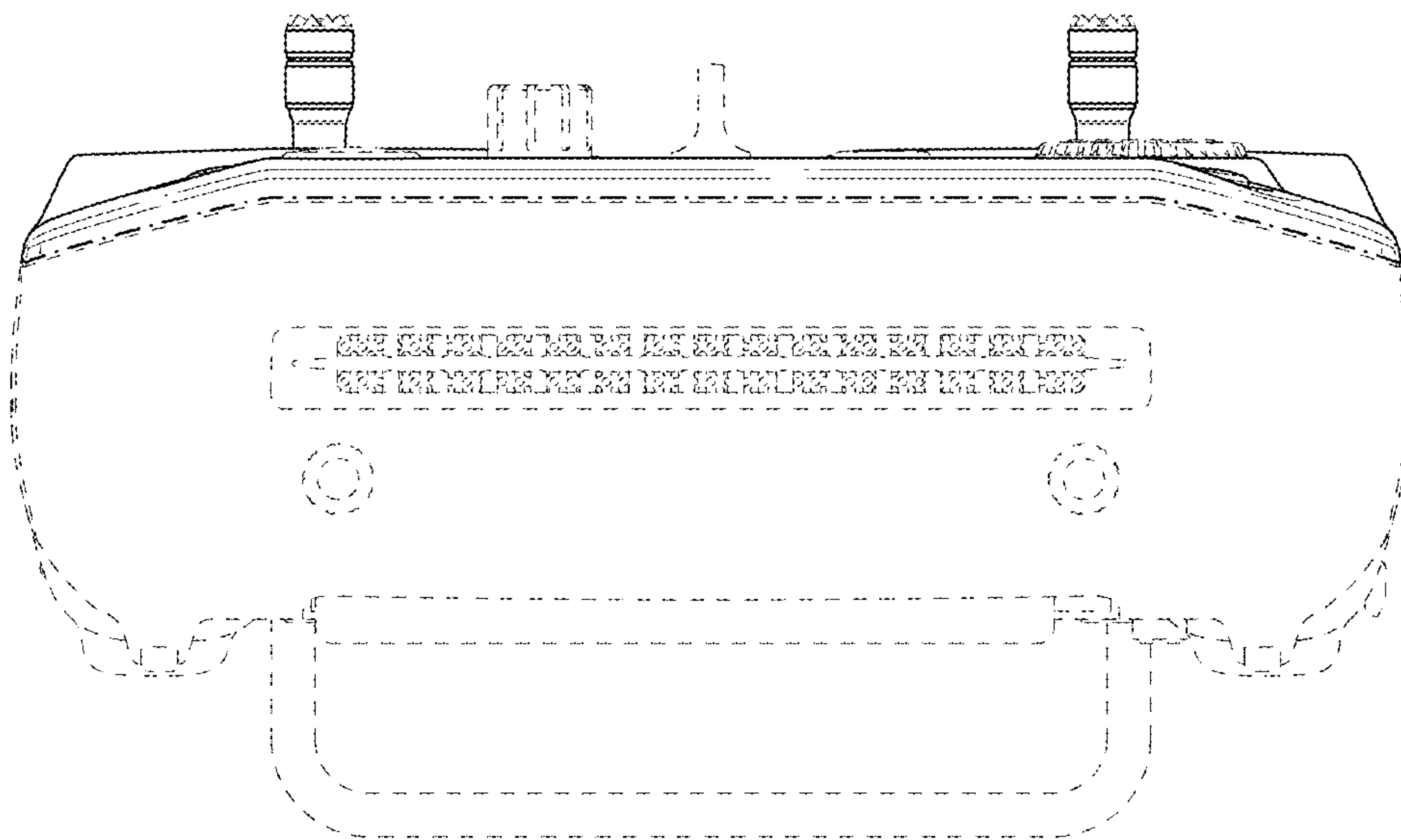


FIG. 8