



US00D870823S

(12) **United States Design Patent**
Manzoni

(10) **Patent No.:** **US D870,823 S**

(45) **Date of Patent:** **** Dec. 24, 2019**

(54) **TOY CAR**

(71) Applicant: **FERRARI S.P.A.**, Modena (IT)

(72) Inventor: **Flavio Manzoni**, Maranello (IT)

(73) Assignee: **Ferrari S.p.A.**, Modena (IT)

(**) Term: **15 Years**

(21) Appl. No.: **35/506,585**

(22) Filed: **Jul. 26, 2018**

(80) **Hague Agreement Data**

Int. Filing Date: **Jul. 26, 2018**

Int. Reg. No.: **DM/103158**

Int. Reg. Date: **Jul. 26, 2018**

Int. Reg. Pub. Date: **Feb. 1, 2019**

(30) **Foreign Application Priority Data**

Jan. 26, 2018 (EM) 004682144

(51) **LOC (12) Cl.** **21-01**

(52) **U.S. Cl.**
USPC **D21/548**; D12/92

(58) **Field of Classification Search**

USPC D21/424, 433, 434, 533, 548; D12/86,
D12/88, 90-92

CPC B62D 25/00; B62D 25/06; B62D 33/00;
B62D 35/00

See application file for complete search history.

(56) **References Cited**

U.S. PATENT DOCUMENTS

D617,683 S * 6/2010 Beneggi D12/92
D628,124 S * 11/2010 Stephenson D12/92

D673,080 S * 12/2012 Cimatti D12/92
D718,667 S * 12/2014 Manzoni D12/92
D801,871 S * 11/2017 Manzoni D12/92
D830,901 S * 10/2018 Manzoni D12/88
D830,902 S * 10/2018 Manzoni D12/88
D839,808 S * 2/2019 Manzoni D12/196
D852,899 S * 7/2019 Langberg D21/548
D856,194 S * 8/2019 Saleen D12/92
D863,104 S * 10/2019 Bennion D21/548

OTHER PUBLICATIONS

Ferrari 488 Pista as disclosed at Ferrari.com, 2019. Retrieved from the internet on Oct. 19, 2019 <URL: <https://www.ferrari.com/en-US/auto/ferrari-488-pista>> (Year: 2019).*

* cited by examiner

Primary Examiner — George D. Kirschbaum

Assistant Examiner — Joseph J Kukella

(74) *Attorney, Agent, or Firm* — Cowan, Liebowitz & Latman P.C.

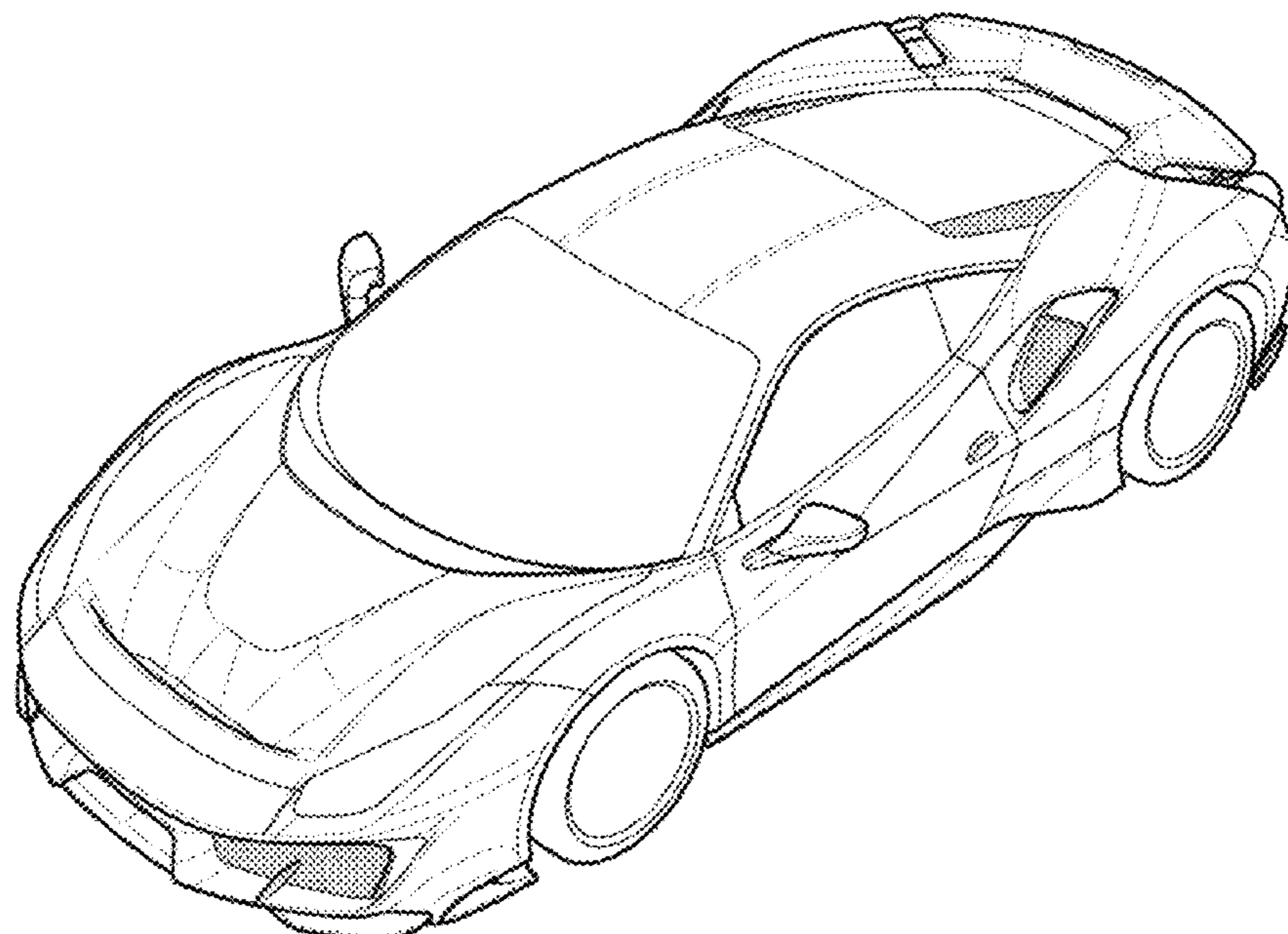
(57) **CLAIM**

The ornamental design for a toy car, as shown and described.

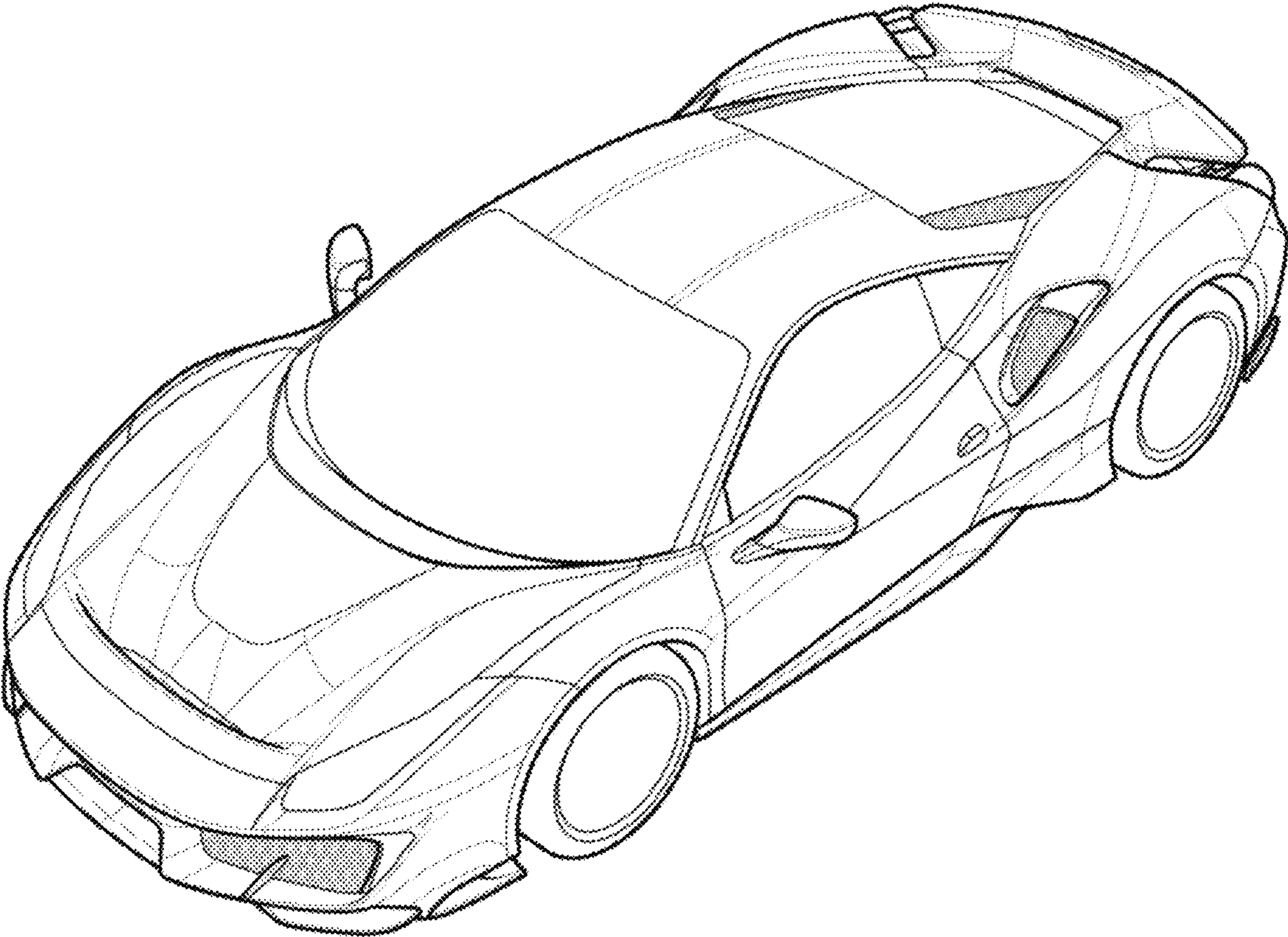
DESCRIPTION

- 1. Toy car
- 1.1 : Front perspective view
- 1.2 : Rear perspective view
- 1.3 : Front
- 1.4 : Back
- 1.5 : Left
- 1.6 : Top
- 1.7 : Bottom

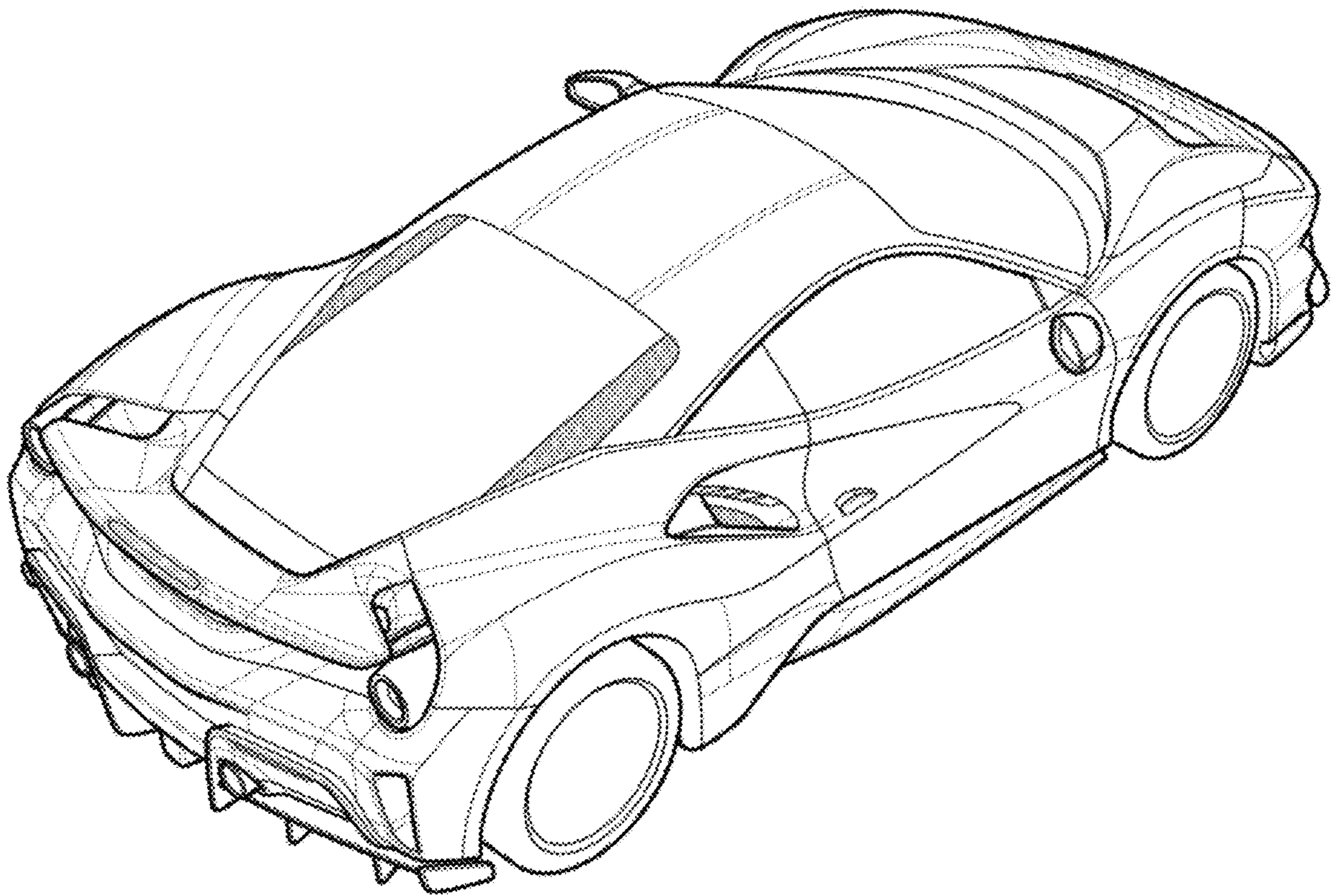
1 Claim, 7 Drawing Sheets



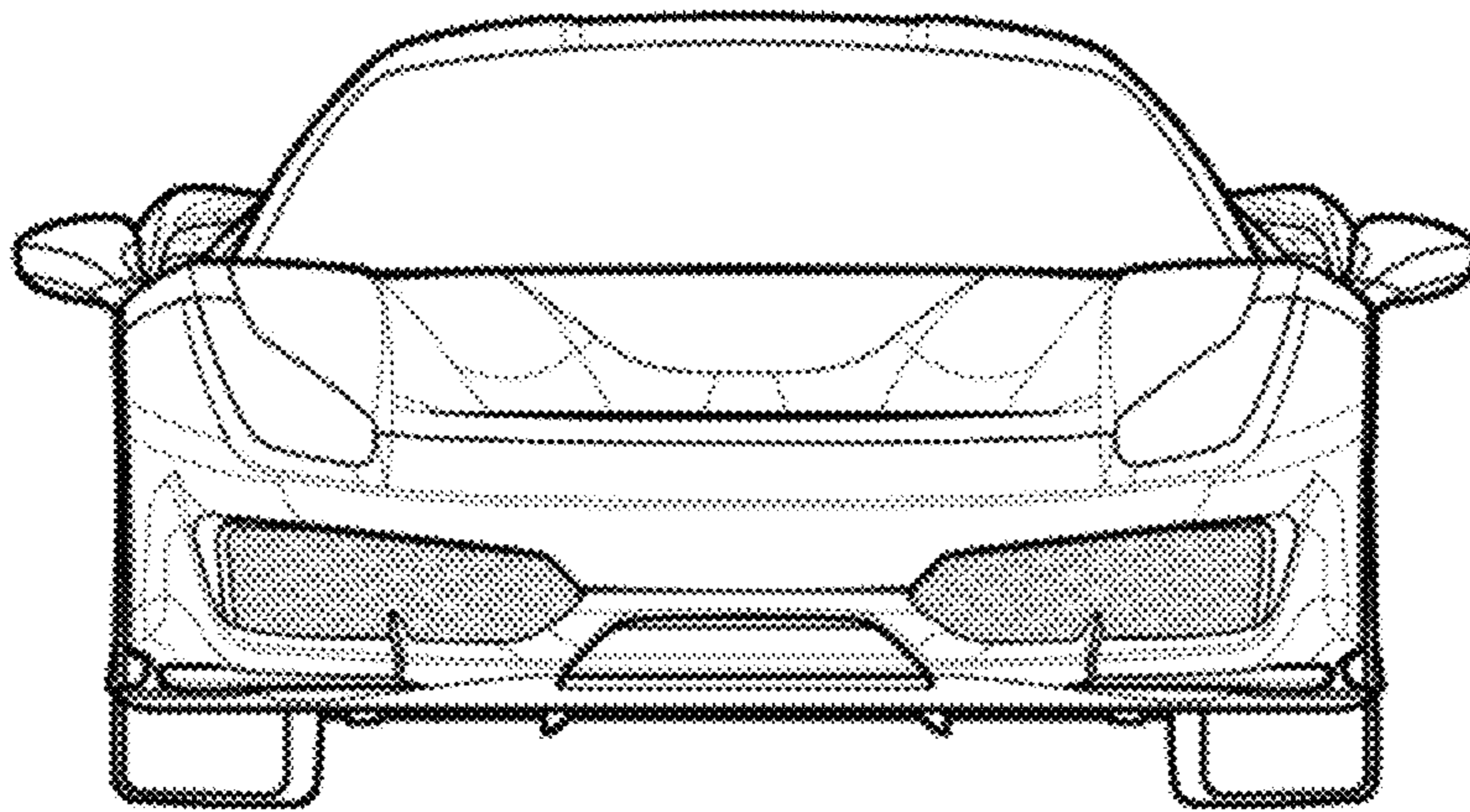
1.1



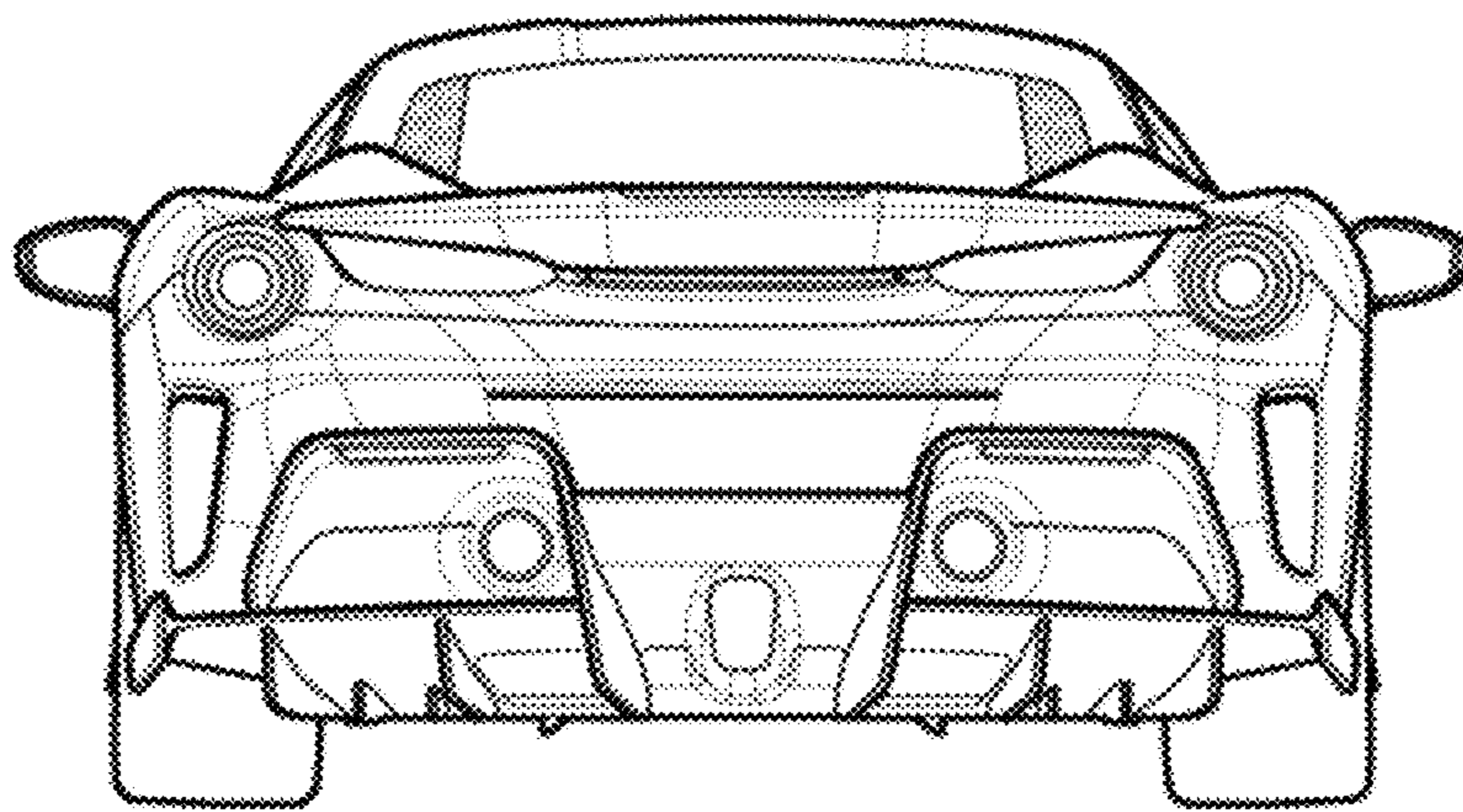
1.2



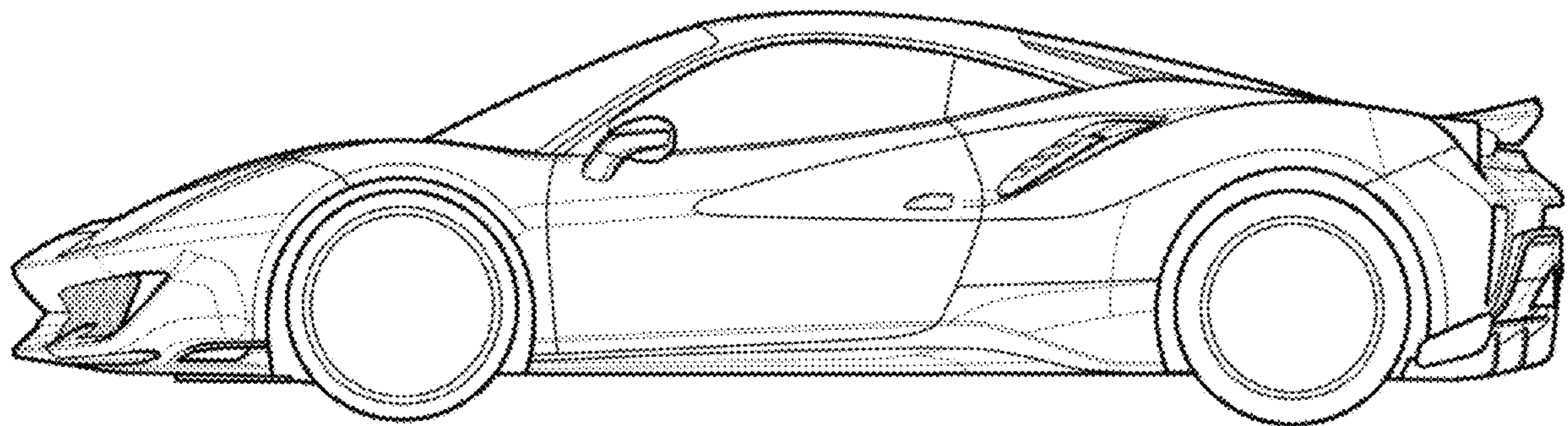
1.3



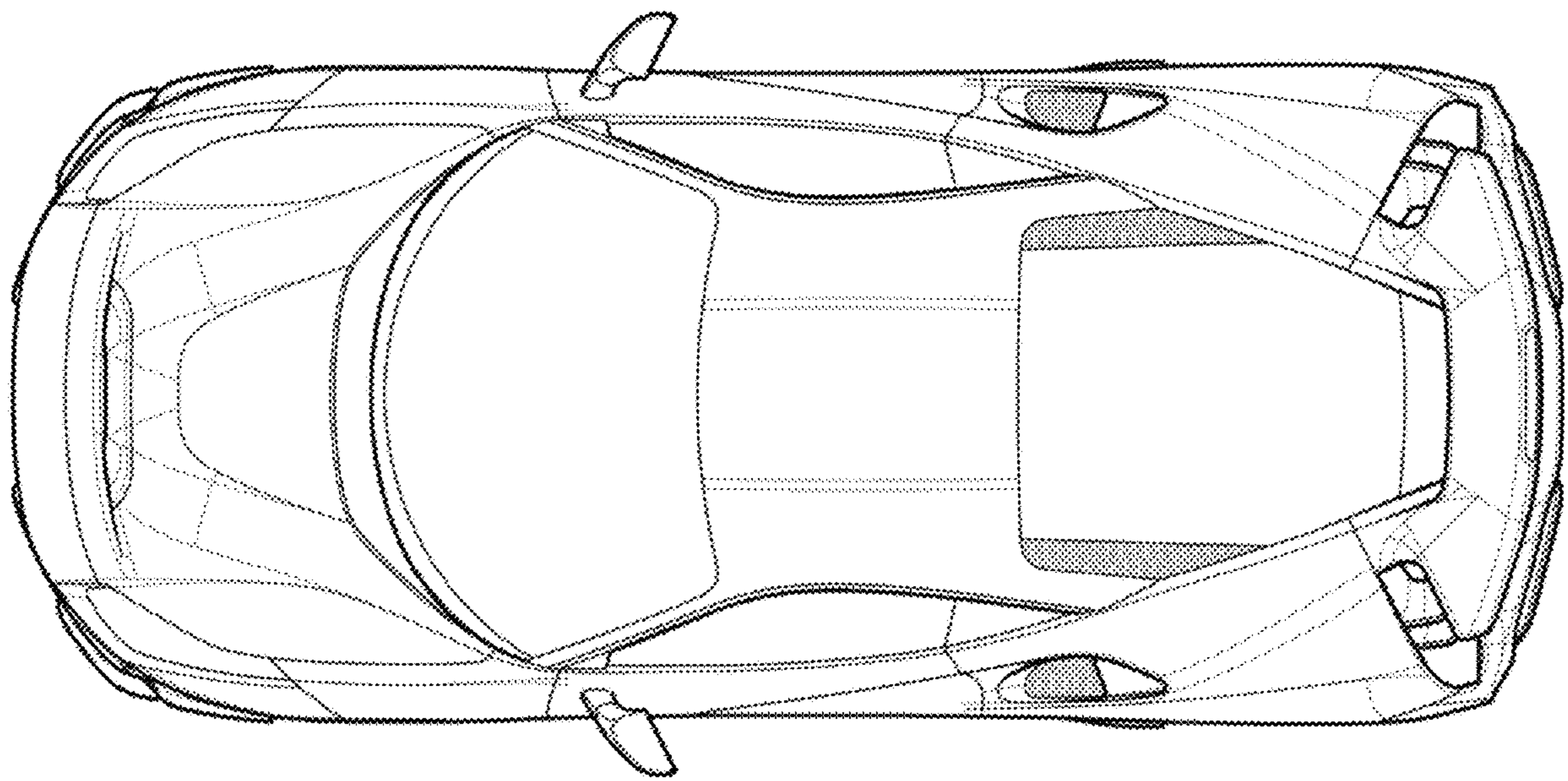
1.4



1.5



1.6



1.7

