



US00D870819S

(12) **United States Design Patent**  
**Huang et al.**

(10) **Patent No.:** **US D870,819 S**

(45) **Date of Patent:** **\*\* Dec. 24, 2019**

(54) **LOTTERY MACHINE**

(71) Applicants: **Nien-Chang Huang**, New Taipei (TW);  
**Hao-En Hung**, New Taipei (TW)

(72) Inventors: **Nien-Chang Huang**, New Taipei (TW);  
**Hao-En Hung**, New Taipei (TW)

(73) Assignee: **iBASE Gaming Inc.**, New Taipei (TW)

(\*\*) Term: **15 Years**

(21) Appl. No.: **29/654,551**

(22) Filed: **Jun. 26, 2018**

(30) **Foreign Application Priority Data**

Dec. 28, 2017 (TW) ..... 106307652

(51) **LOC (12) Cl.** ..... **21-03**

(52) **U.S. Cl.**  
USPC ..... **D21/369**

(58) **Field of Classification Search**  
USPC ..... D20/1-9; D15/79, 81, 89; D99/28;  
D21/369; D18/4.4

CPC ..... G06Q 20/18; G07F 7/00; G07F 7/025;  
G07F 7/08; G07F 7/12; G07F 11/00;  
G07F 11/02; G07F 11/62; G07F 11/165;  
G07F 7/069; G07F 17/00; G07F 17/40

See application file for complete search history.

(56) **References Cited**

**U.S. PATENT DOCUMENTS**

D481,518 S \* 10/2003 Magee ..... D99/28  
D529,255 S \* 9/2006 Sato ..... D99/28

D597,138 S \* 7/2009 Herndon, III ..... D18/4.4  
D642,628 S \* 8/2011 Plakas ..... D21/325  
D732,263 S \* 6/2015 Budde ..... D99/28  
D756,064 S \* 5/2016 Budde ..... D99/28  
D769,569 S \* 10/2016 Kennedy ..... D99/28  
D779,770 S \* 2/2017 Park ..... D99/28  
D825,134 S \* 8/2018 Birnie ..... D99/28  
2012/0170233 A1 \* 7/2012 Ku ..... G06F 1/181  
361/752  
2013/0124426 A1 \* 5/2013 Bowles ..... G06Q 99/00  
705/308  
2017/0030485 A1 \* 2/2017 Whiteside ..... A47F 9/04  
2019/0164143 A1 \* 5/2019 Susaki ..... G07G 1/0072

\* cited by examiner

*Primary Examiner* — Mary Ann Calabrese

*Assistant Examiner* — Catherine Ho

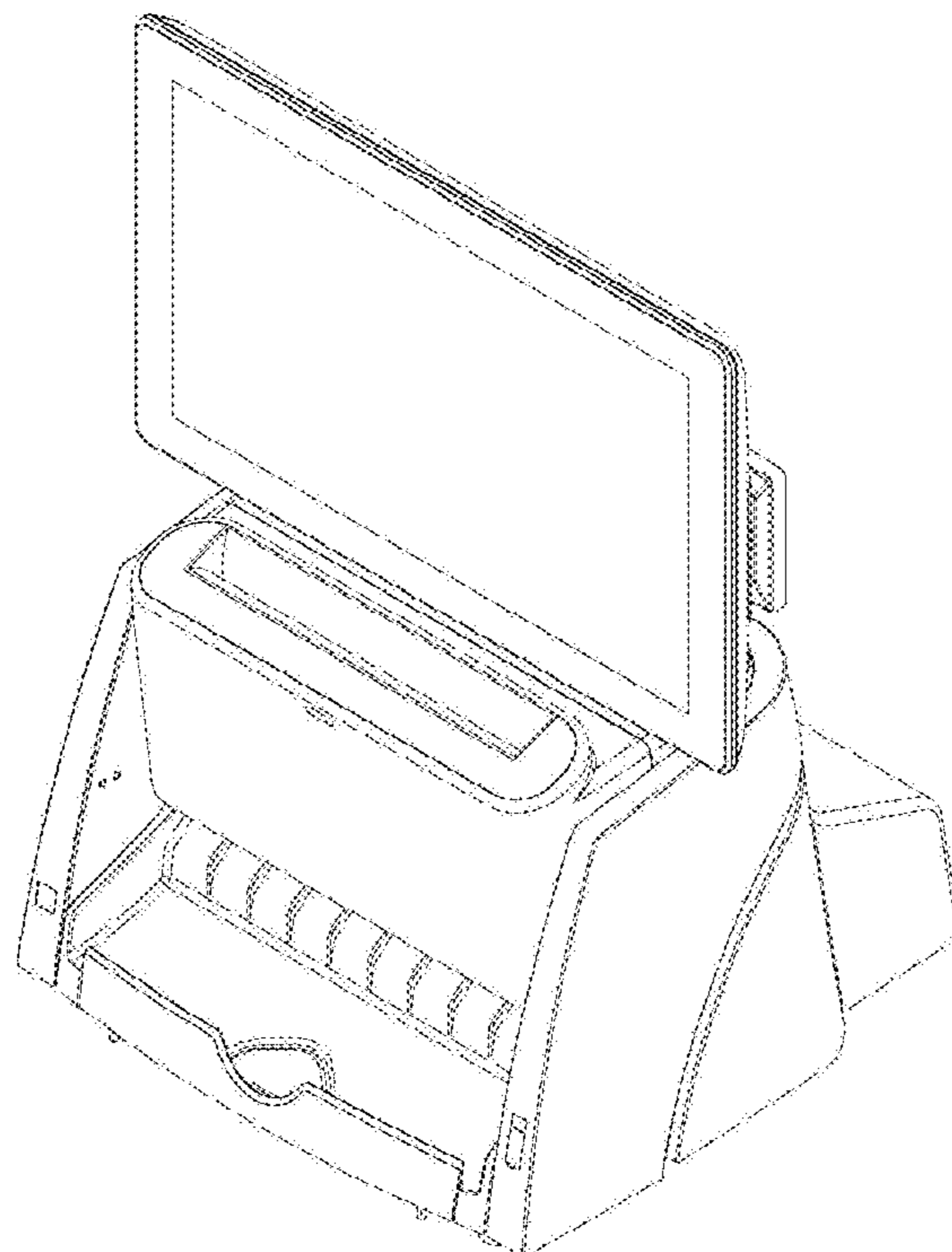
(57) **CLAIM**

The ornamental design for a lottery machine, as shown and described.

**DESCRIPTION**

FIG. 1 is a perspective view of a lottery machine showing the new design;  
FIG. 2 is a front view thereof;  
FIG. 3 is a rear view thereof;  
FIG. 4 is a left side view thereof;  
FIG. 5 is a right side view thereof;  
FIG. 6 is a top view thereof; and,  
FIG. 7 is a bottom view thereof.

**1 Claim, 7 Drawing Sheets**



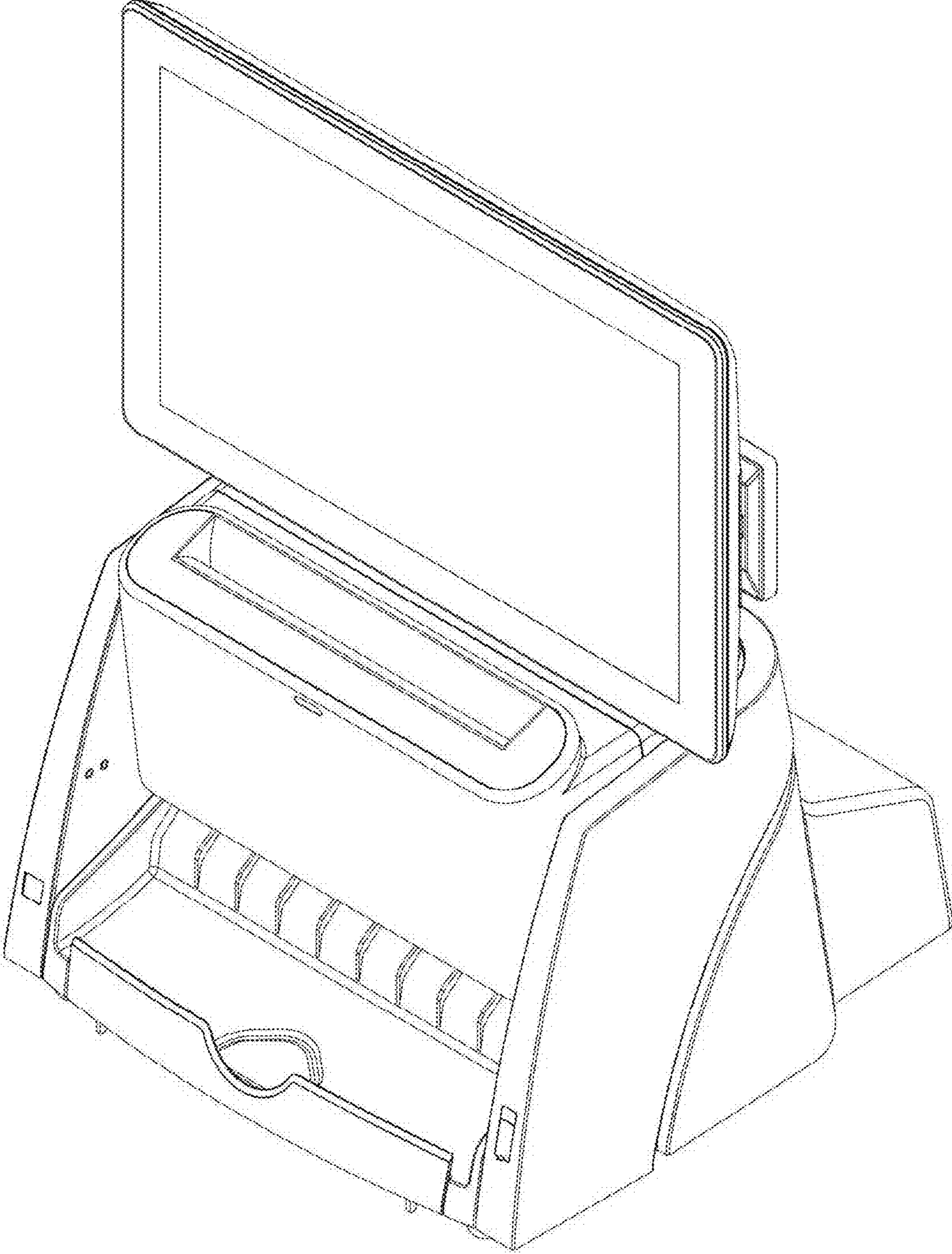


FIG.1

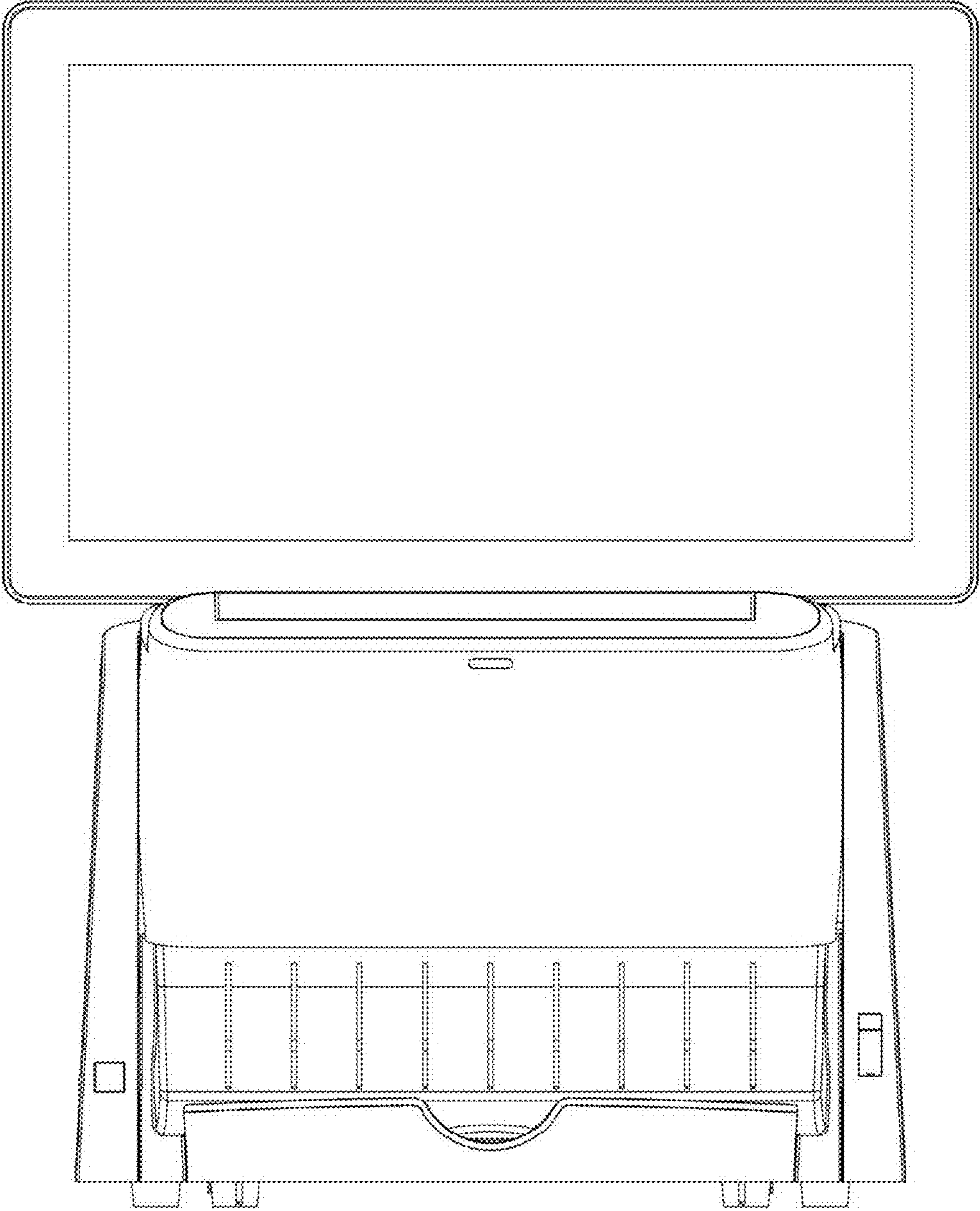


FIG. 2



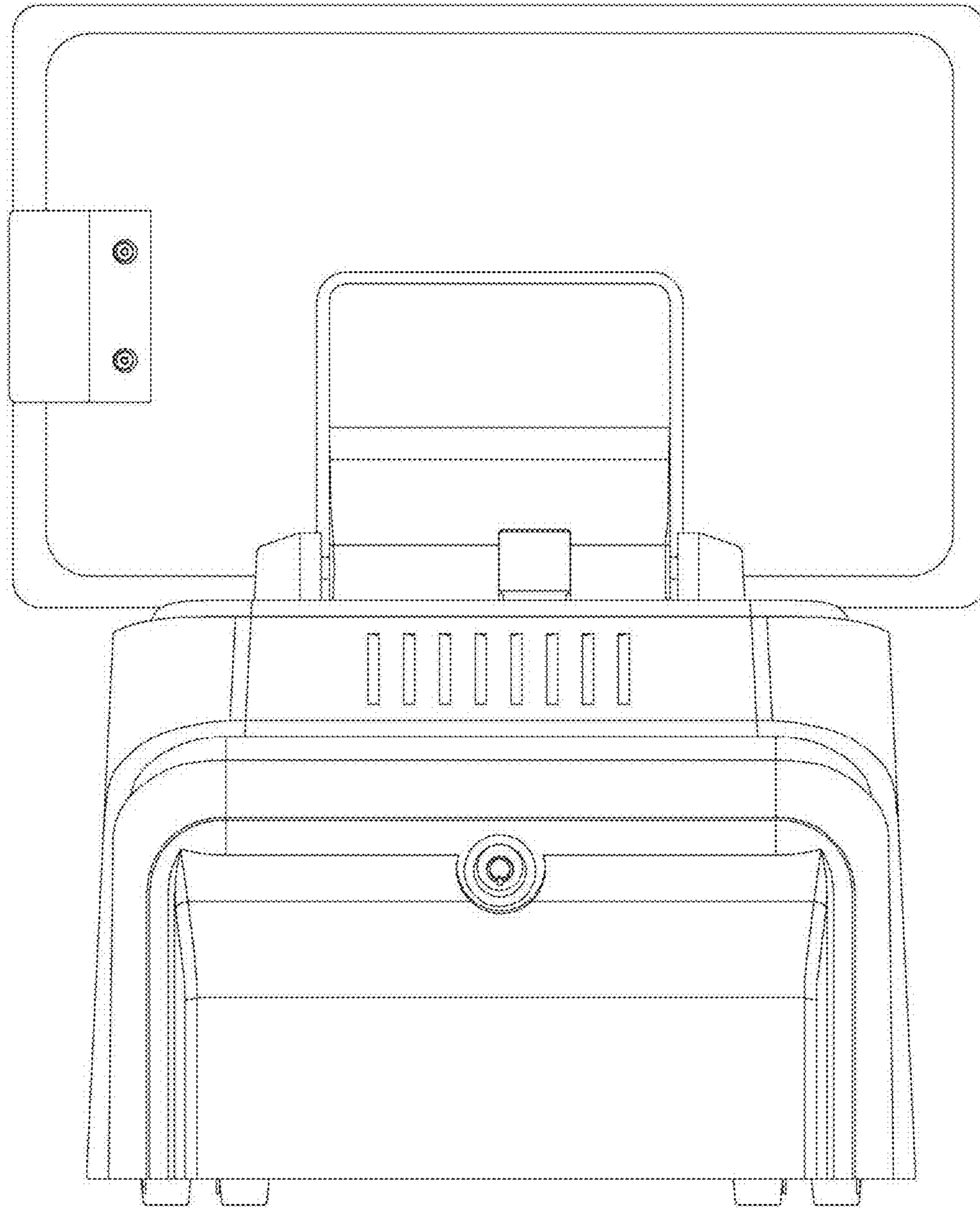


FIG.3

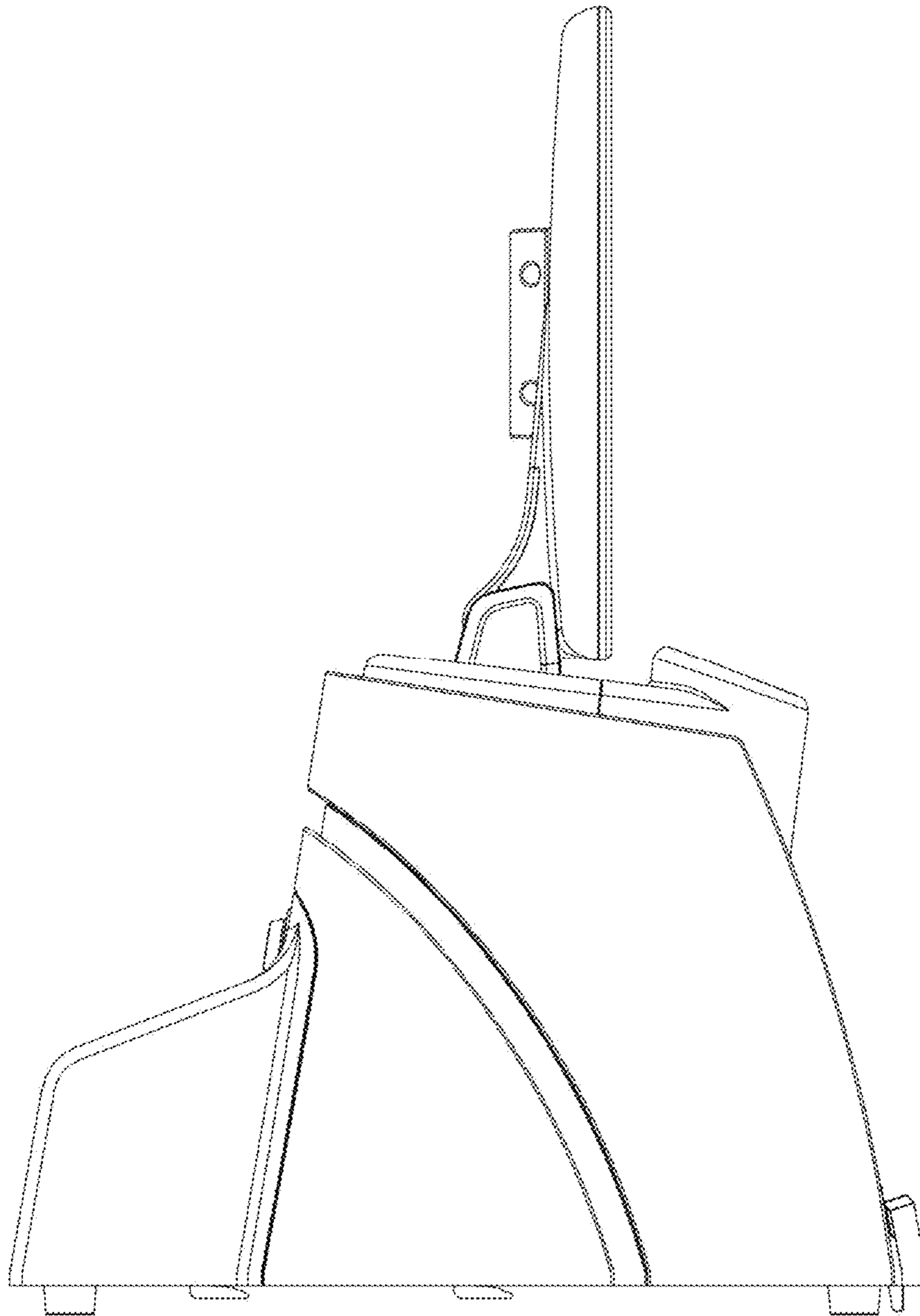


FIG. 4

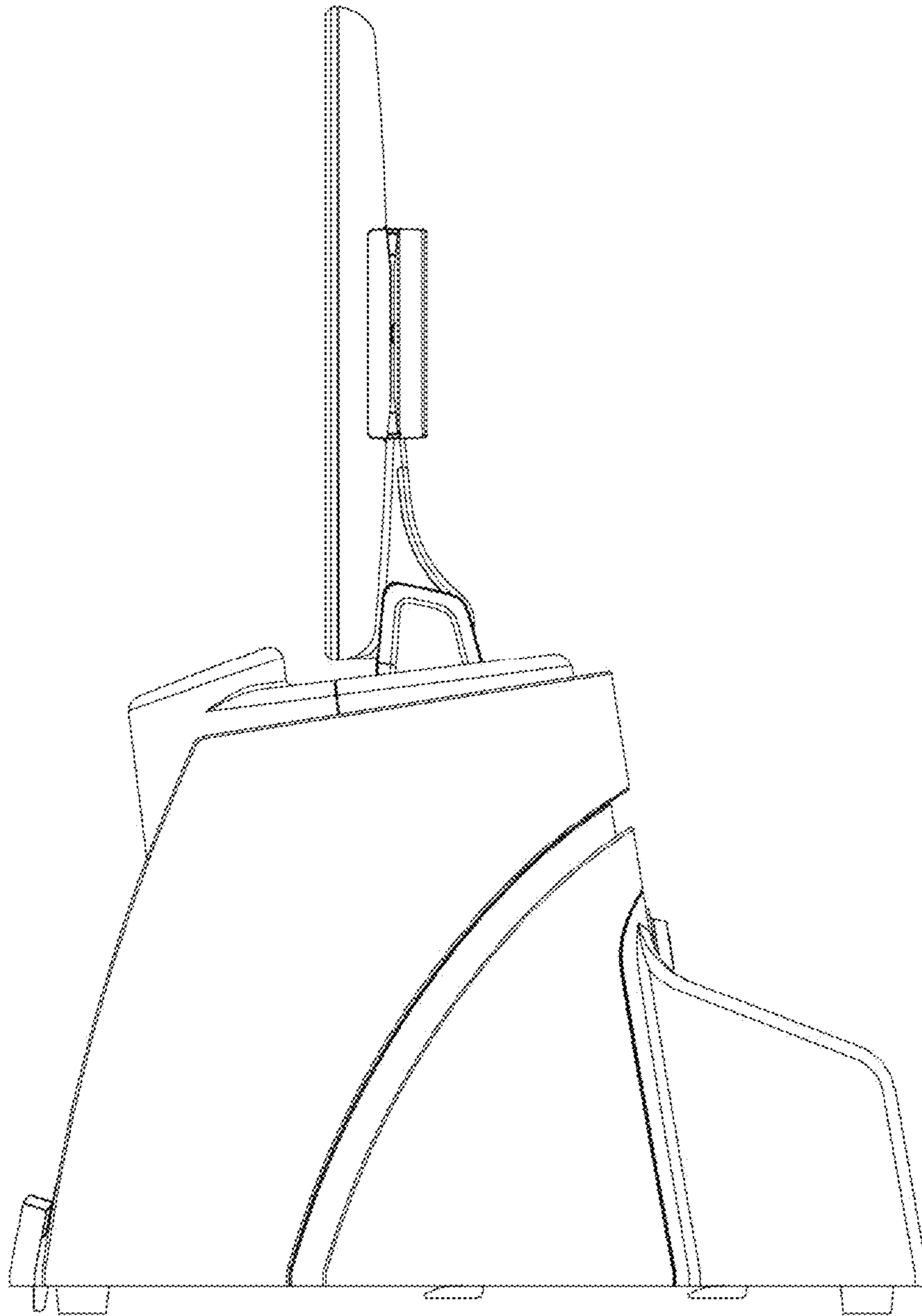


FIG. 5

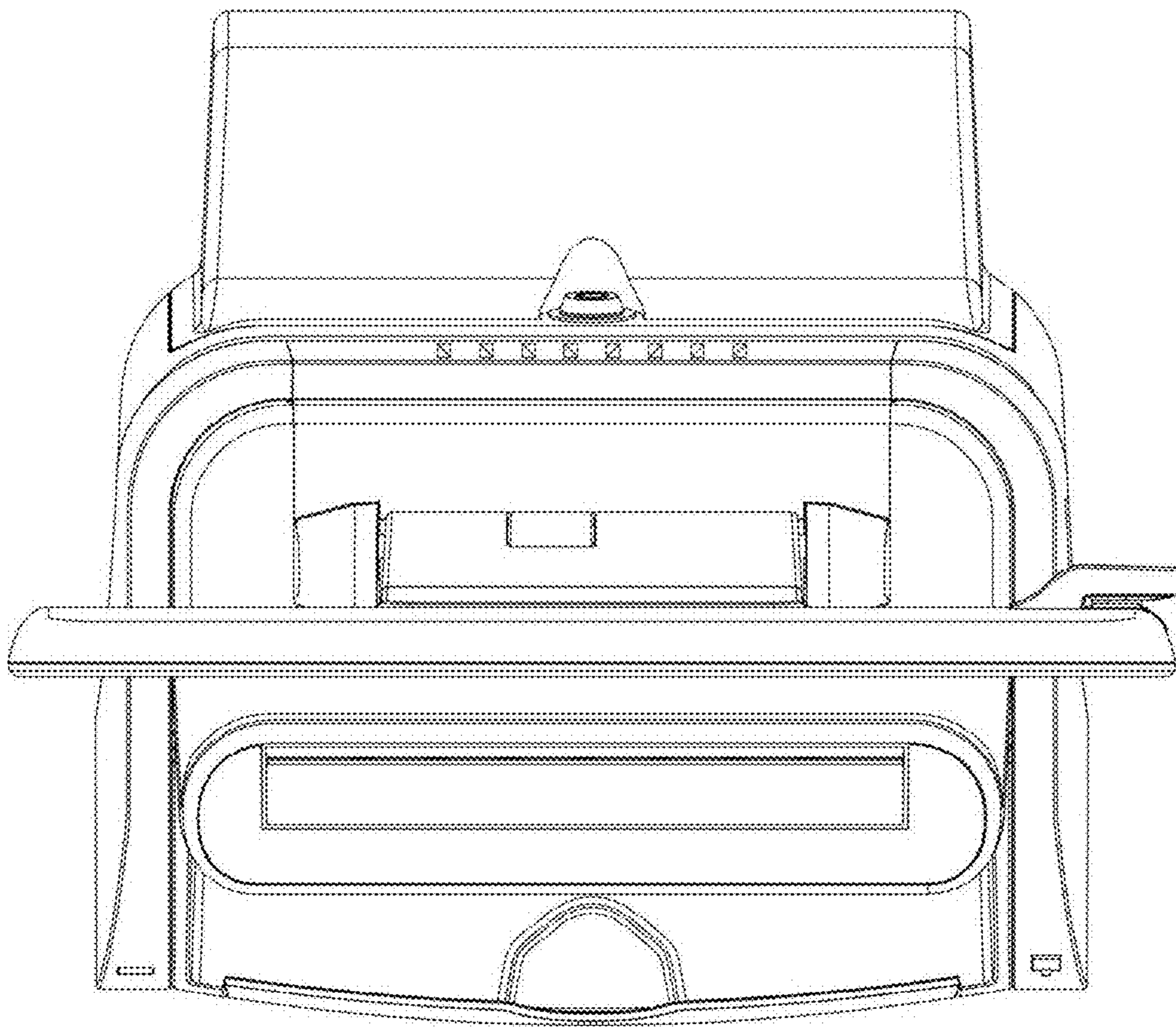


FIG.6

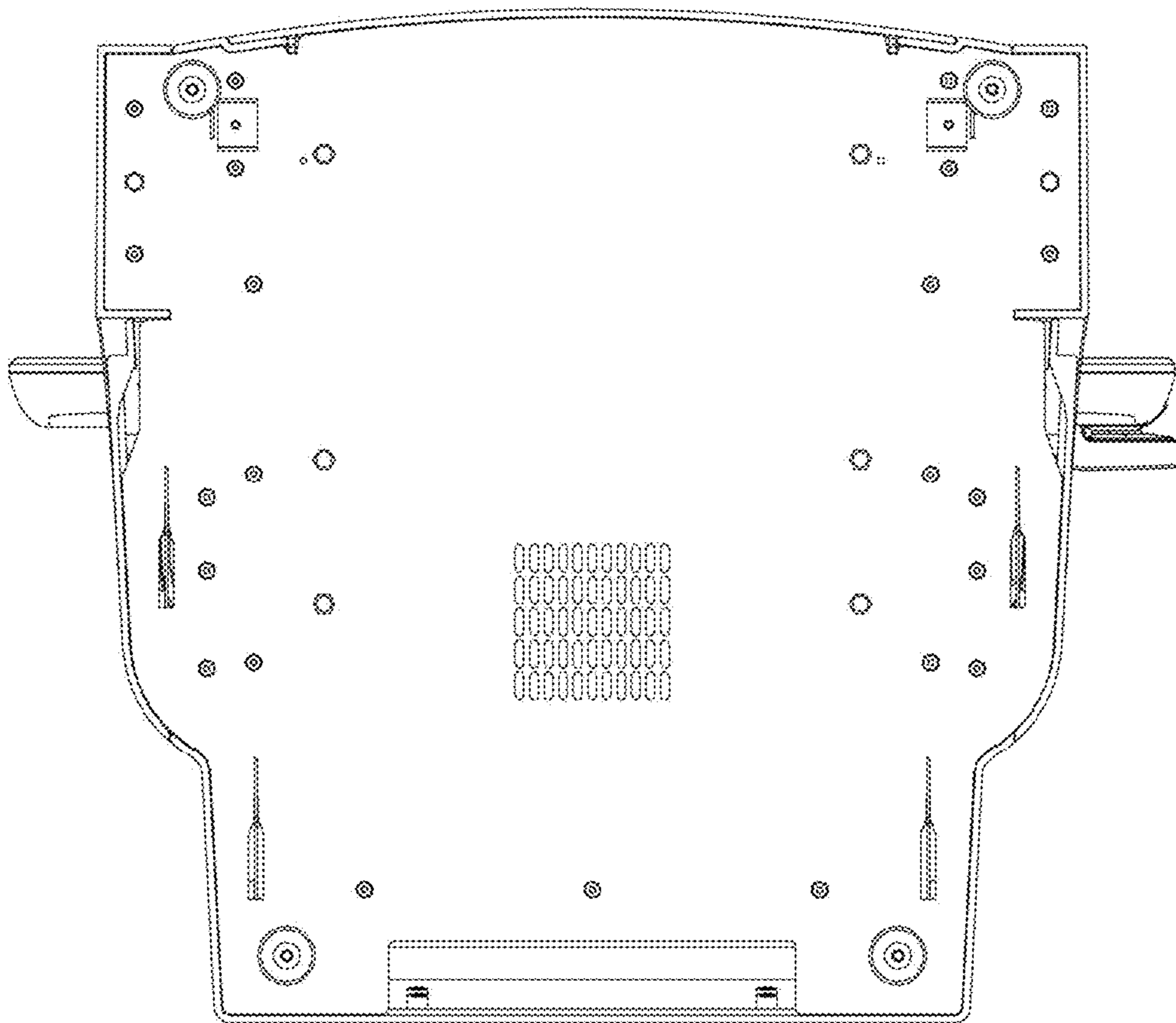


FIG. 7