



US00D870818S

(12) **United States Design Patent**  
**Curbbun et al.**

(10) **Patent No.:** **US D870,818 S**

(45) **Date of Patent:** **\*\* Dec. 24, 2019**

- (54) **GAMING MACHINE CABINET**
- (71) Applicant: **BLUBERI GAMING CANADA INC.**,  
Drummondville (CA)
- (72) Inventors: **Charles Stanley Curbbun**, Carlsbad,  
CA (US); **Julian Groeli**, San Diego,  
CA (US); **Lee-Anne Stossell**, San  
Marcos, CA (US); **Brenton Anthony**  
**Lacombe**, San Diego, CA (US)
- (73) Assignee: **Bluberi Gaming Canada Inc.**,  
Drummondville
- (\*\*) Term: **15 Years**
- (21) Appl. No.: **29/619,891**
- (22) Filed: **Oct. 3, 2017**
- (51) **LOC (12) Cl.** ..... **21-03**
- (52) **U.S. Cl.**  
USPC ..... **D21/369**
- (58) **Field of Classification Search**  
USPC .... 463/1, 28, 29, 30, 31, 32, 33, 34, 35, 46,  
463/47; D14/125, 126, 133, 203.7, 203.8,  
D14/217, 300, 301, 302, 305; D21/324,  
D21/325, 329, 369, 370, 371  
CPC ... G07F 17/3202; G07F 17/3209; A63F 1/067  
See application file for complete search history.

(56) **References Cited**

**U.S. PATENT DOCUMENTS**

D498,267 S *	11/2004	Crouch	.....	D21/370
D525,665 S *	7/2006	Karlsson	.....	D21/329
D539,854 S *	4/2007	Luciano	.....	D21/369
D570,922 S *	6/2008	Reetz	.....	D21/325
D587,319 S *	2/2009	Moises Deiab	.....	D21/325
D592,709 S *	5/2009	McComb	.....	D21/370
D622,323 S *	8/2010	De Viveiros Ortiz	.....	D21/325
8,246,447 B2 *	8/2012	Gauselmann	.....	G07F 17/32 463/20

- 8,246,456 B2 \* 8/2012 Motyl ..... G06F 3/0238  
463/13
  - 8,262,455 B2 \* 9/2012 Caputo ..... G07F 17/32  
463/20
  - D673,621 S \* 1/2013 Johnson ..... D21/369
  - D684,637 S \* 6/2013 Shelley ..... D21/370
  - 8,851,989 B2 \* 10/2014 Rosander ..... G07F 17/3216  
463/31
  - 8,888,580 B2 \* 11/2014 Caputo ..... G07F 17/32  
463/20
  - D719,616 S \* 12/2014 Inoue ..... D21/370
- (Continued)

*Primary Examiner* — Cynthia Ramirez

*Assistant Examiner* — Michael A Maharajh

(74) *Attorney, Agent, or Firm* — Benoit & Cote Inc.; C.  
Marc Benoit

(57) **CLAIM**

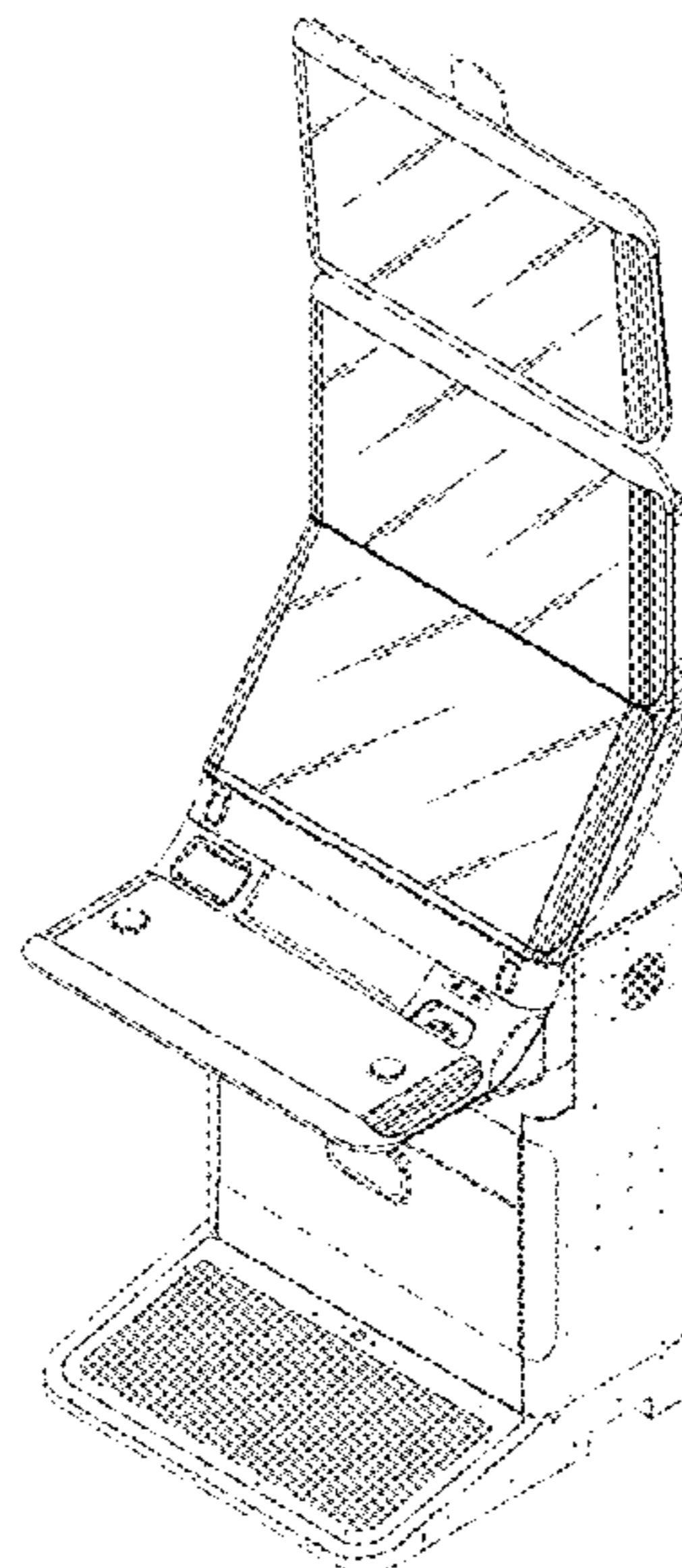
We claim the ornamental design for a gaming machine cabinet, as shown and described.

**DESCRIPTION**

FIG. 1 is a perspective view of our ornamental design of the gaming machine cabinet;  
 FIG. 2 is a front view of the gaming machine cabinet of FIG. 1;  
 FIG. 3 is a right side view of the gaming machine cabinet of FIG. 1;  
 FIG. 4 is a left side view of the gaming machine cabinet of FIG. 1;  
 FIG. 5 is a top plan view of the gaming machine cabinet of FIG. 1;  
 FIG. 6 is a bottom plan view of the gaming machine cabinet of FIG. 1; and,  
 FIG. 7 is a rear view of the gaming machine cabinet of FIG. 1.

The broken lines in figures are for purpose of illustrating portions of the gaming machine cabinet which form no part of the claimed design.

**1 Claim, 6 Drawing Sheets**



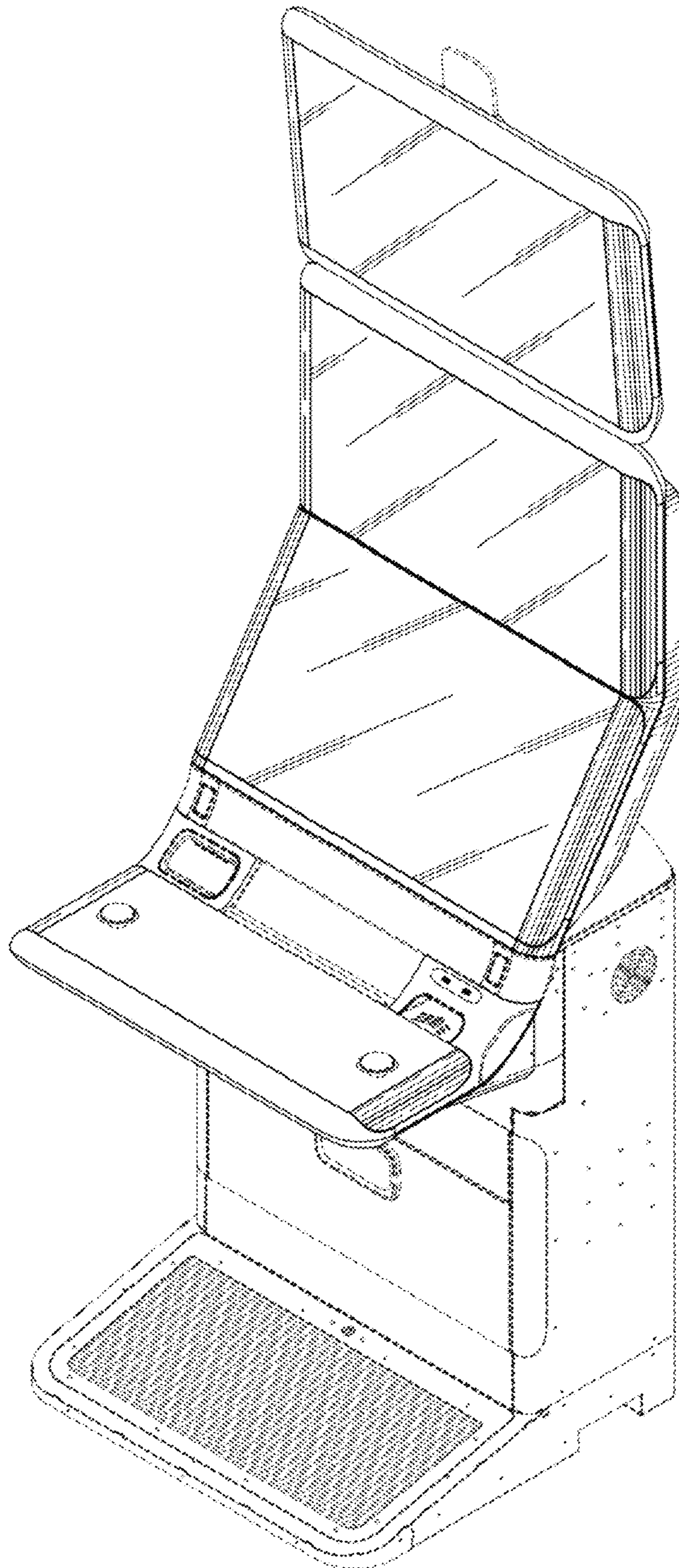
(56)

**References Cited**

U.S. PATENT DOCUMENTS

D721,767 S \* 1/2015 Ferrazoli ..... D21/370  
D723,626 S \* 3/2015 Vasquez ..... D21/370  
9,349,240 B2 \* 5/2016 Castro ..... G07F 17/3209  
D763,361 S \* 8/2016 Rosander ..... D21/370  
9,558,610 B2 \* 1/2017 Keilwert ..... G07F 17/3244  
9,799,159 B2 \* 10/2017 Keilwert ..... G07F 17/3211  
9,857,972 B2 \* 1/2018 Onitsuka ..... H01F 7/14  
D810,833 S \* 2/2018 Rosander ..... D21/370  
D818,048 S \* 5/2018 Calhoun ..... D21/369  
9,997,010 B2 \* 6/2018 Lee ..... G07F 17/3211  
10,062,237 B2 \* 8/2018 Devine ..... G07F 17/3211  
D833,534 S \* 11/2018 Lee ..... D21/369  
D834,652 S \* 11/2018 Lee ..... D21/369  
2018/0082523 A1 \* 3/2018 Palermo ..... G07F 17/3216

\* cited by examiner



*FIG. 1*



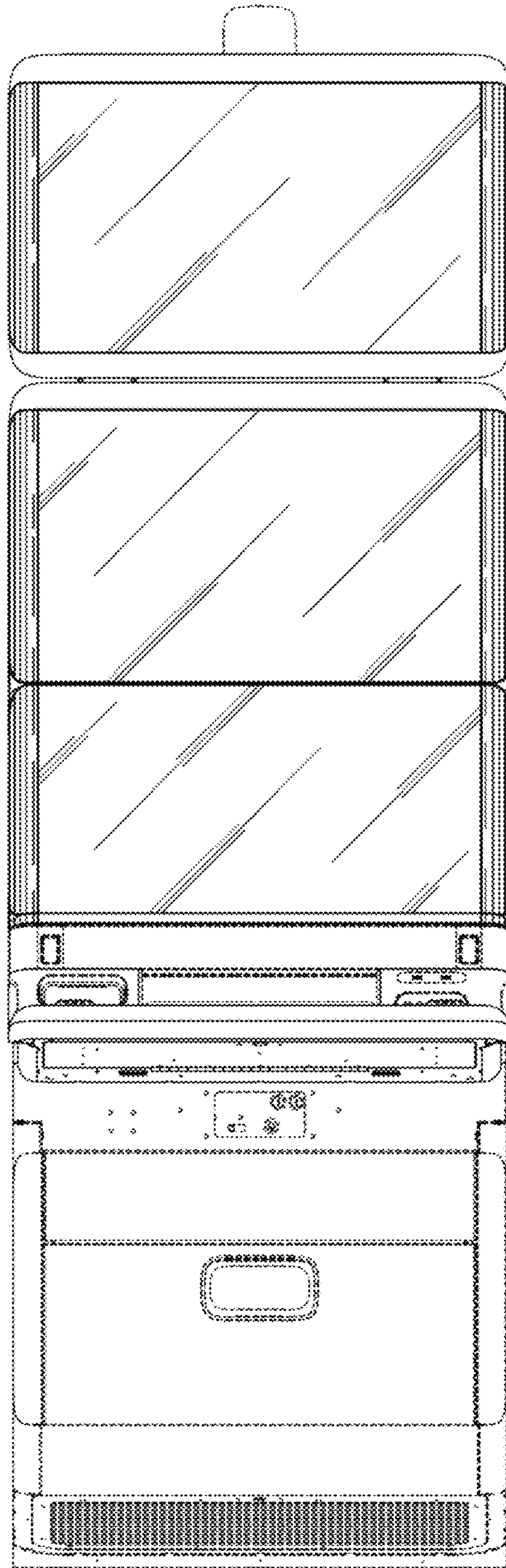
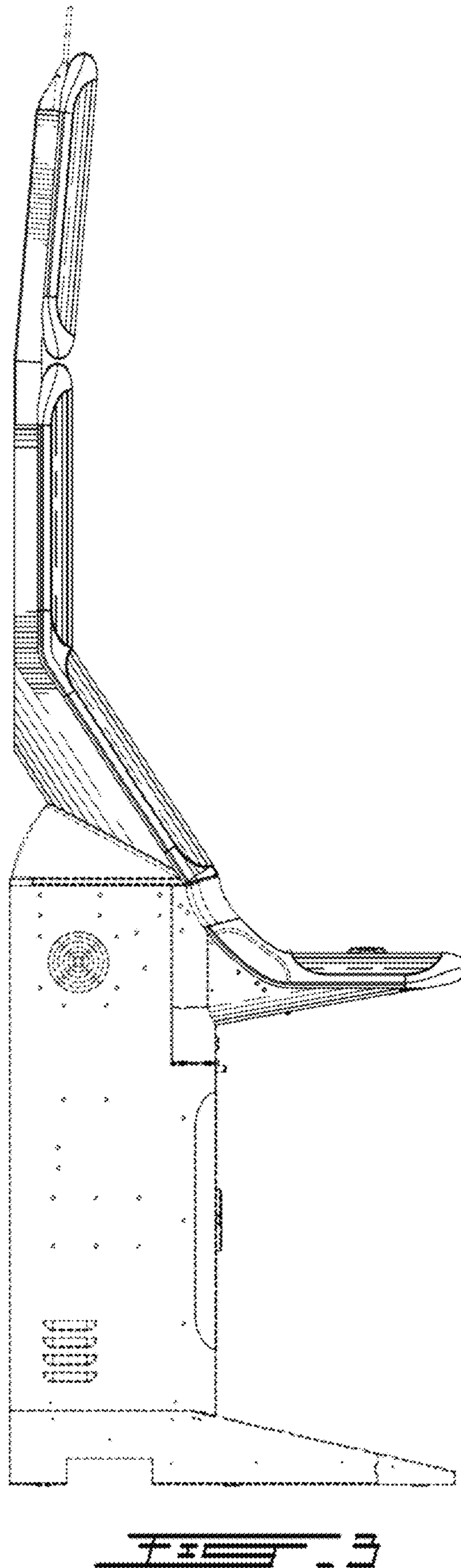


FIG. 2



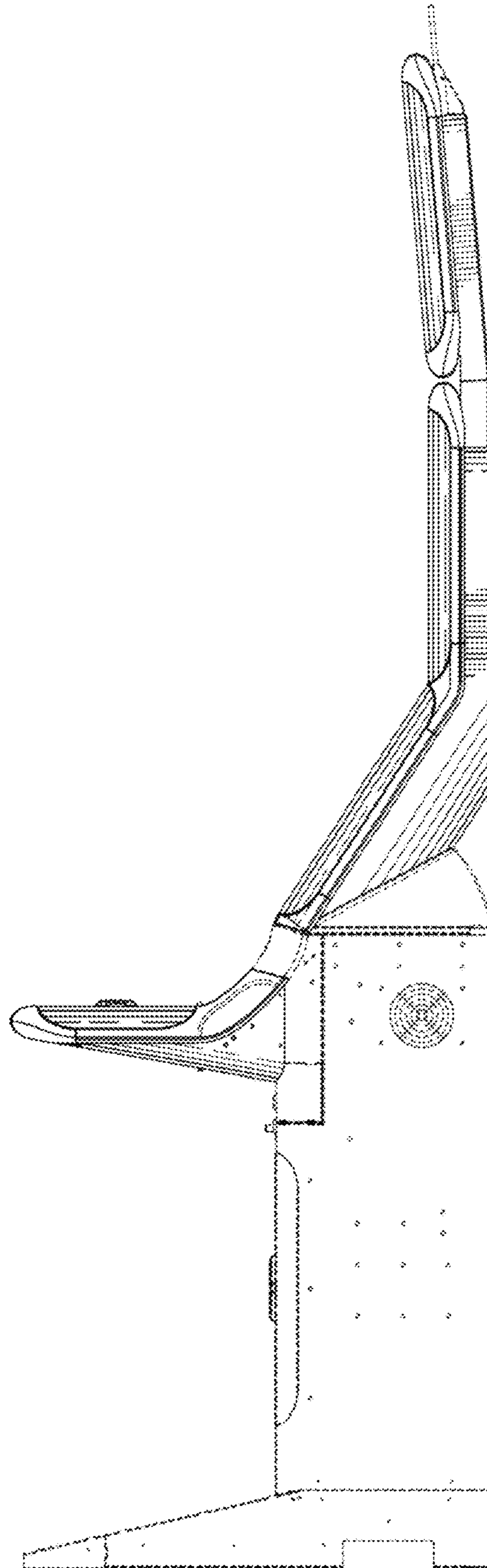


FIG. 4

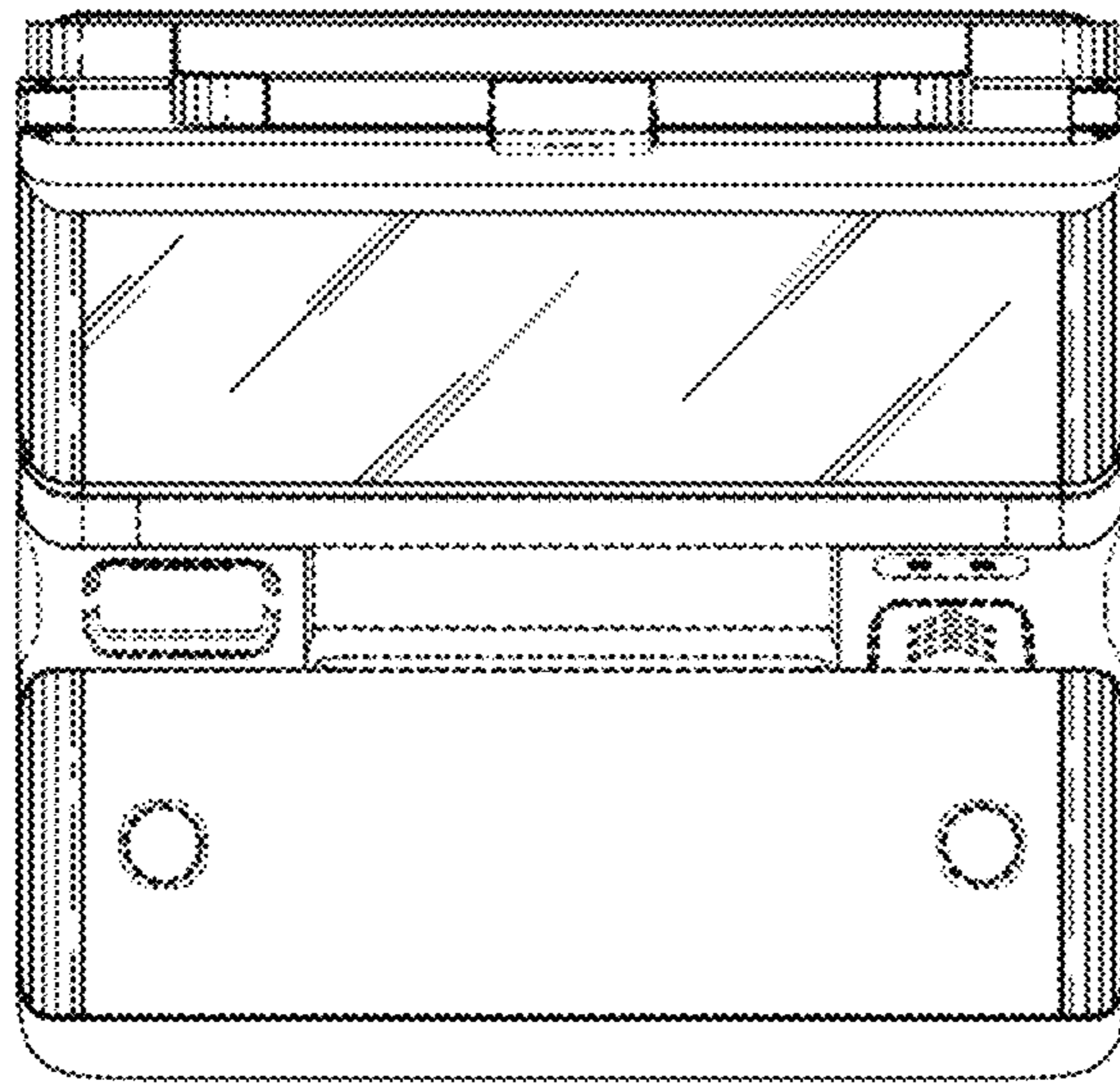


FIG. 5

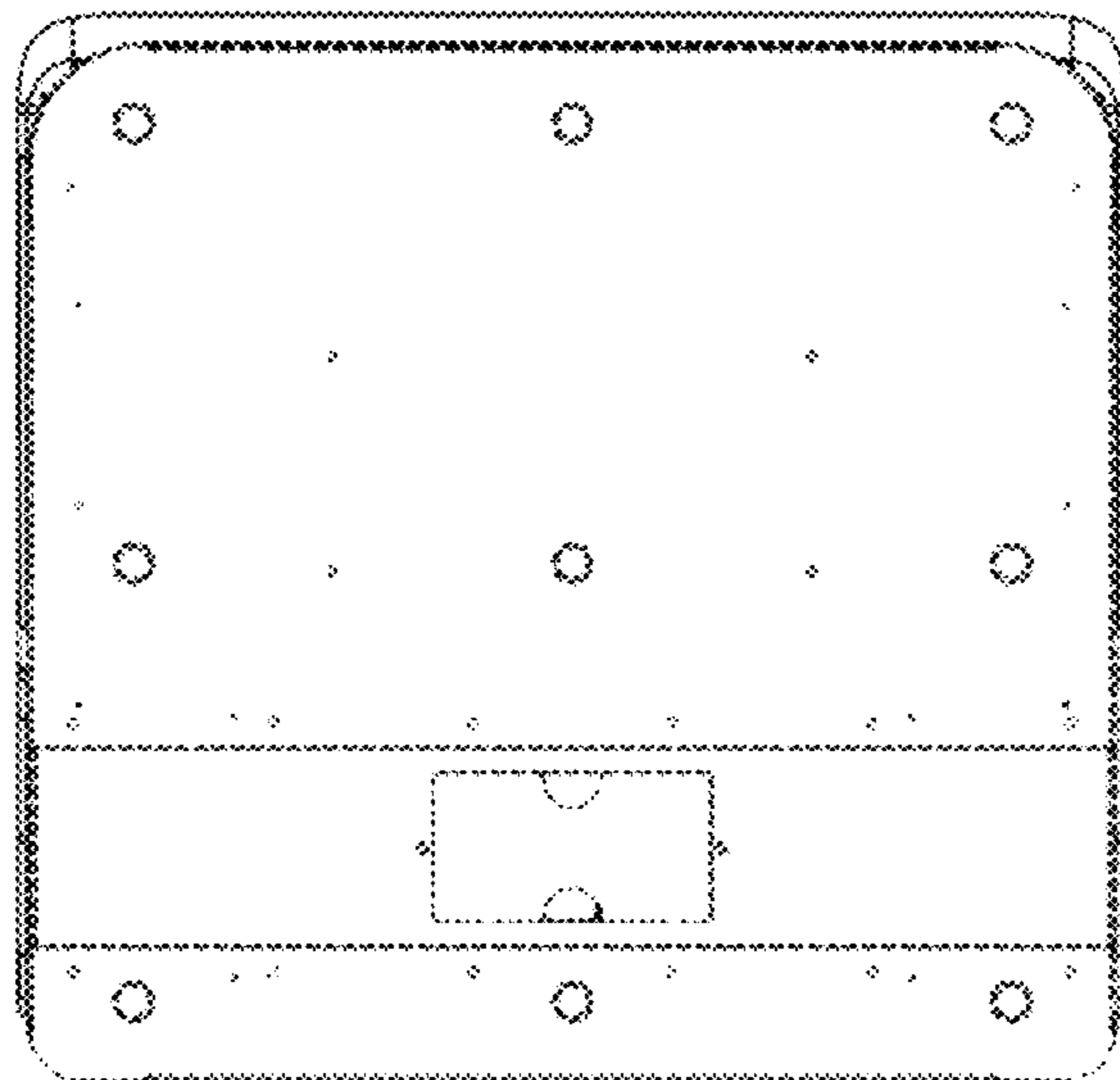
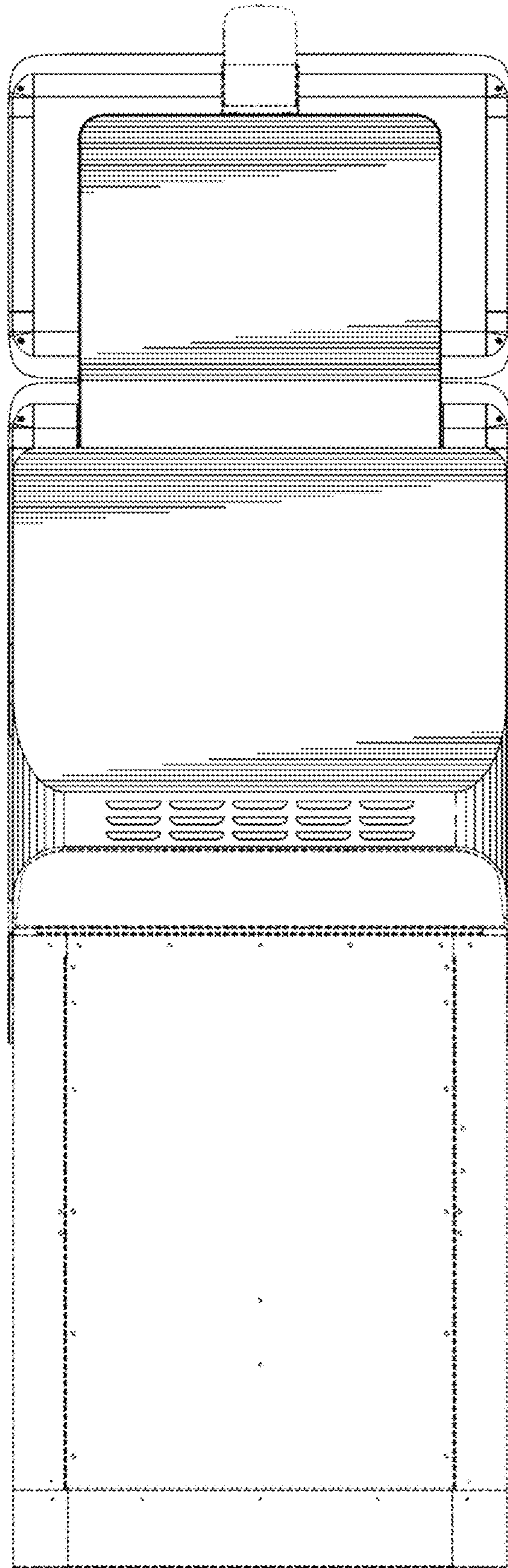


FIG. 6





*FIG. 7*