



US00D870817S

(12) **United States Design Patent**  
**Yeung et al.**

(10) **Patent No.:** **US D870,817 S**

(45) **Date of Patent:** **\*\* Dec. 24, 2019**

(54) **VIDEO GAME CONTROLLER**

(71) Applicant: **Snakebyte Technologies, Ltd.**, Hong Kong (CN)

(72) Inventors: **Lam Ho Yeung**, Hong Kong (CN);  
**Marc Küpper**, Hong Kong (CN)

(73) Assignee: **SNAKEBYTE TECHNOLOGIES, LTD.**, Hong Kong (CN)

(\*\*) Term: **15 Years**

(21) Appl. No.: **29/663,662**

(22) Filed: **Sep. 18, 2018**

(30) **Foreign Application Priority Data**

Jun. 8, 2018 (EM) ..... 005303146

(51) **LOC (12) Cl.** ..... **21-01**

(52) **U.S. Cl.**  
USPC ..... **D21/333**

(58) **Field of Classification Search**  
USPC ..... D14/174, 218, 387-389, 400-418,  
D14/426-431, 443, 449-450, 454, 471,  
D14/511; D21/333, 363, 368  
CPC ..... A63F 13/42; A63F 13/98  
See application file for complete search history.

(56) **References Cited**

**U.S. PATENT DOCUMENTS**

D444,469 S \* 7/2001 Goto ..... D14/413  
D444,470 S \* 7/2001 Goto ..... D14/415  
7,063,321 B2 \* 6/2006 Hussaini ..... A63F 13/06  
273/148 B  
7,235,012 B2 \* 6/2007 DiDato ..... A63F 13/06  
463/38  
D715,296 S \* 10/2014 Huang ..... D14/401  
D718,818 S \* 12/2014 Sumii ..... D14/401

D727,430 S \* 4/2015 Sumii ..... D14/410  
D736,860 S \* 8/2015 Lovoi ..... D14/401  
D780,180 S \* 2/2017 Ironmonger ..... D14/401  
D780,759 S \* 3/2017 Ironmonger ..... D14/401  
D780,760 S \* 3/2017 Ironmonger ..... D14/401  
D794,027 S \* 8/2017 Ironmonger ..... D14/401  
D816,083 S \* 4/2018 Wu ..... D14/401  
2015/0238855 A1 \* 8/2015 Uy ..... G06F 3/0338  
463/37

**OTHER PUBLICATIONS**

Nacon Revolution Pro Contro: Published Sep. 1, 2017[online], site visited Sep. 9, 2019. Available from Internet URL:https://www.amazon.com/dp/B0746SDHT3/ref=cm\_sw\_r\_tw\_dp\_U\_x\_ONfEDbA0D9CEZ (Year: 2017).\*

(Continued)

*Primary Examiner* — Jack Reickel

*Assistant Examiner* — Melvin L Davis

(74) *Attorney, Agent, or Firm* — Polson Intellectual Property Law, PC; Margaret Polson

(57) **CLAIM**

The ornamental design for video game controller, as shown and described.

**DESCRIPTION**

FIG. 1 is a top, left side isometric view of our new design for a video game controller.

FIG. 2 is a front side elevation view of FIG. 1.

FIG. 3 is a back side elevation view of FIG. 1.

FIG. 4 is a left side elevation view of FIG. 1.

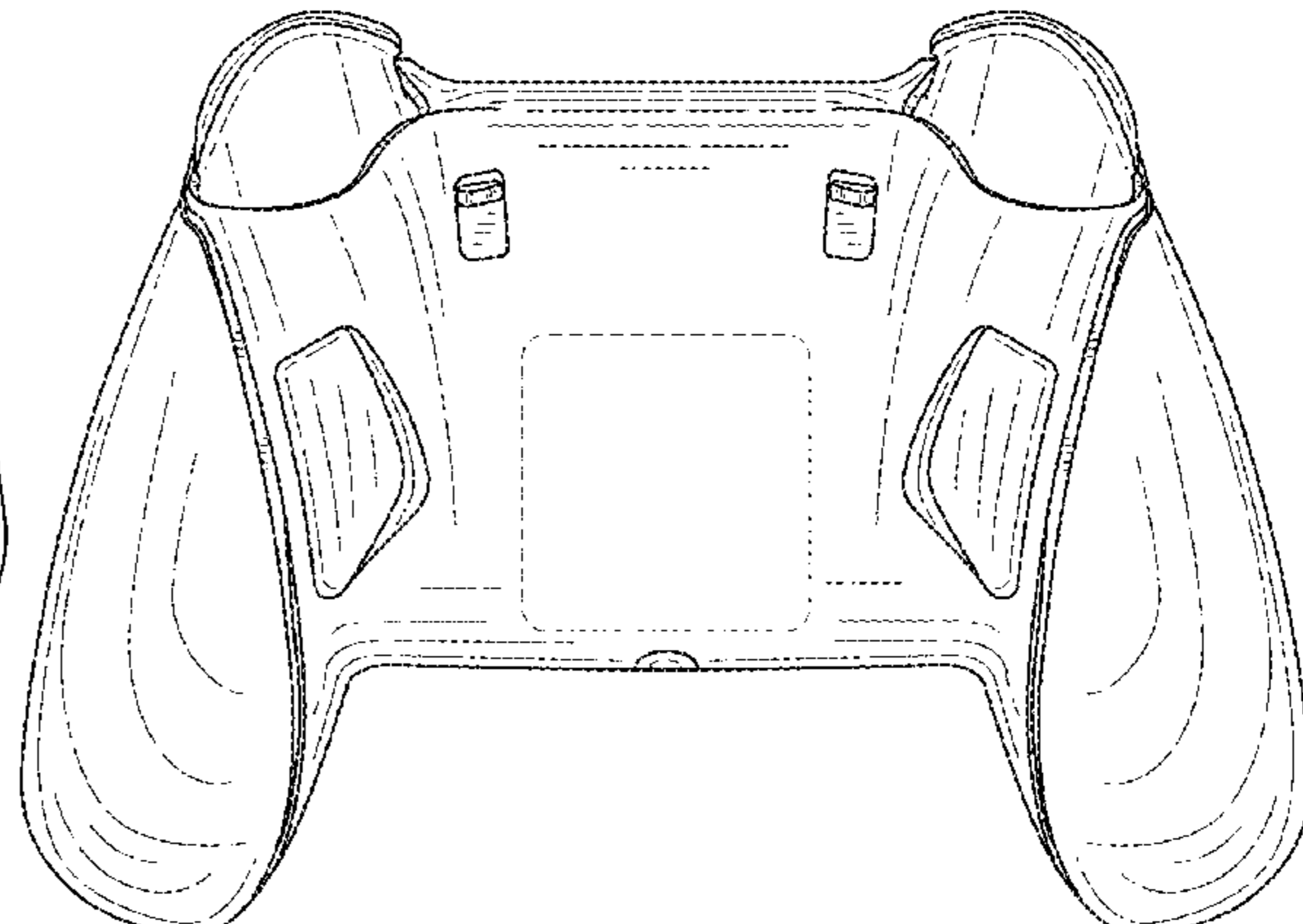
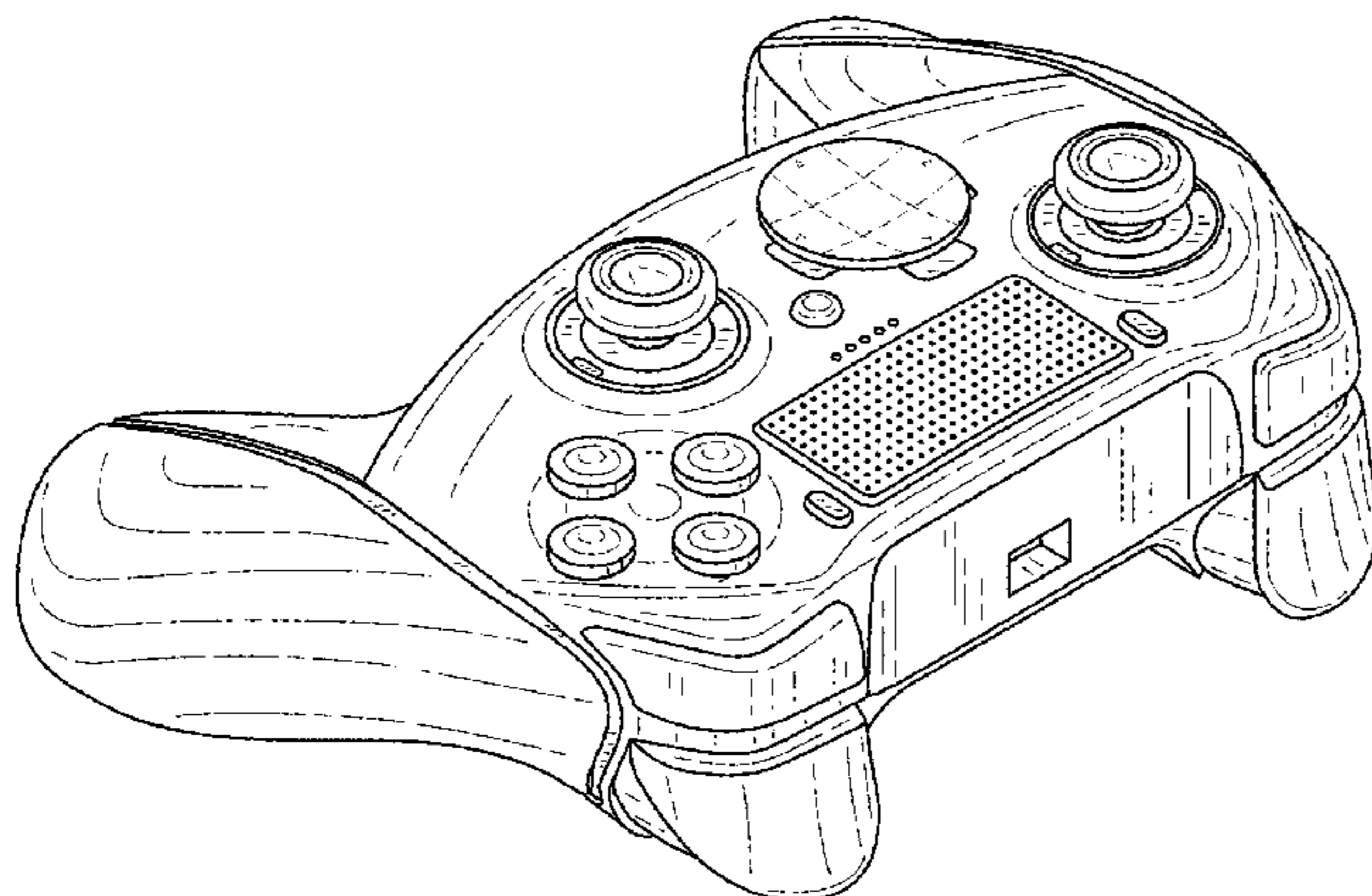
FIG. 5 is a right side elevation view of FIG. 1.

FIG. 6 is a top plan view of FIG. 1; and,

FIG. 7 is a bottom plan view of FIG. 1.

The broken line showing of a video game controller is for the purpose of illustrating portions of the article that form no part of the claimed design.

**1 Claim, 7 Drawing Sheets**



(56)

**References Cited**

OTHER PUBLICATIONS

Official Xbox 360 Wireless Controller—Chrome Gold (Xbox 360)  
Microsoft: Published Aug. 16, 2013 [online], site visited Oct. 15,  
2019. Available from Internet URL: [https://www.amazon.co.uk/dp/  
B00DYN7J7C/ref=cm\\_sw\\_r\\_tw\\_dp\\_U\\_x\\_lsHPDb8EK2ZSH](https://www.amazon.co.uk/dp/B00DYN7J7C/ref=cm_sw_r_tw_dp_U_x_lsHPDb8EK2ZSH) (Year:  
2013).\*

\* cited by examiner

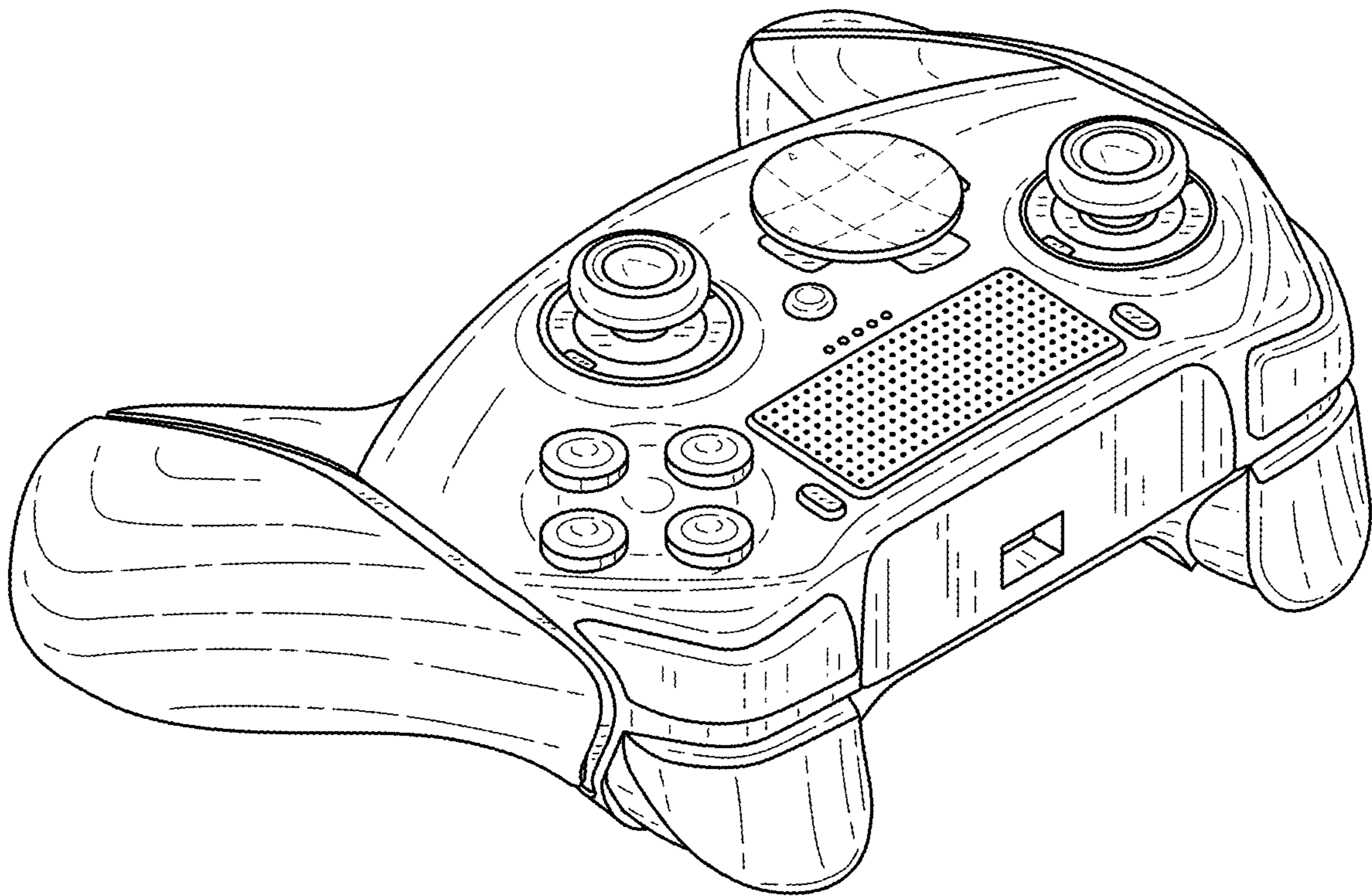


FIG.1

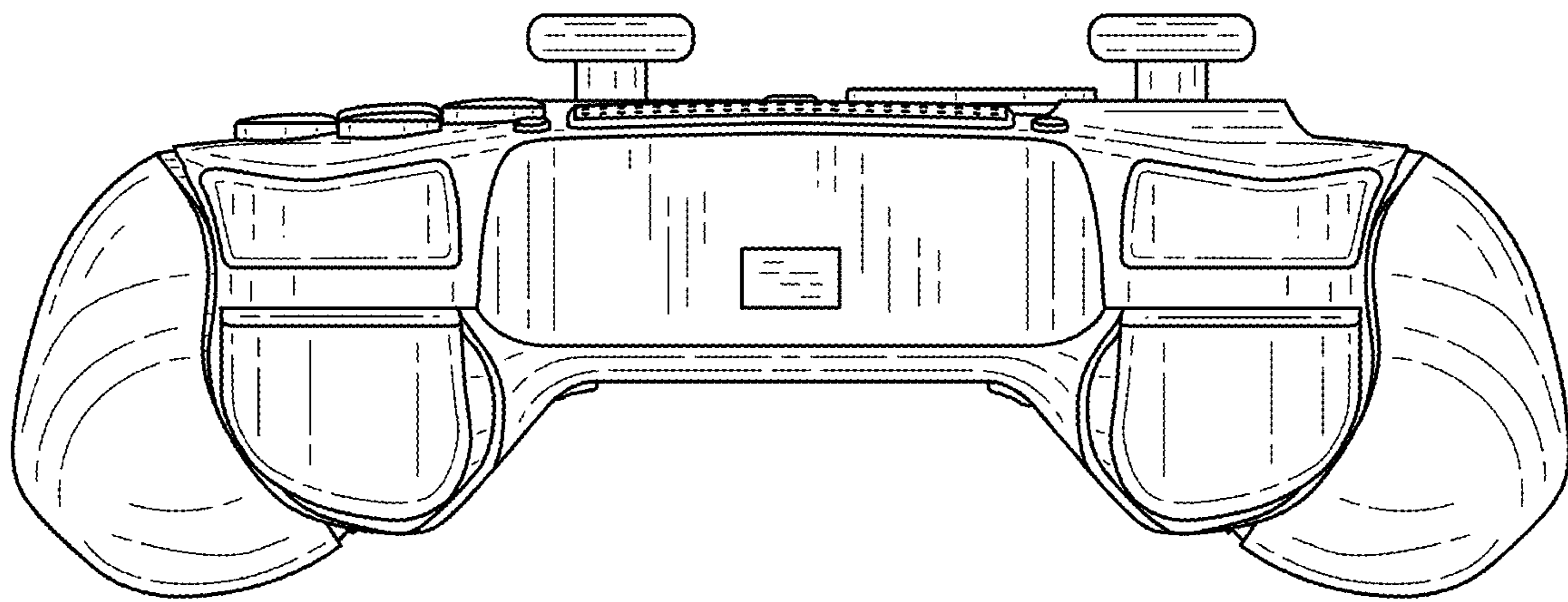


FIG.2

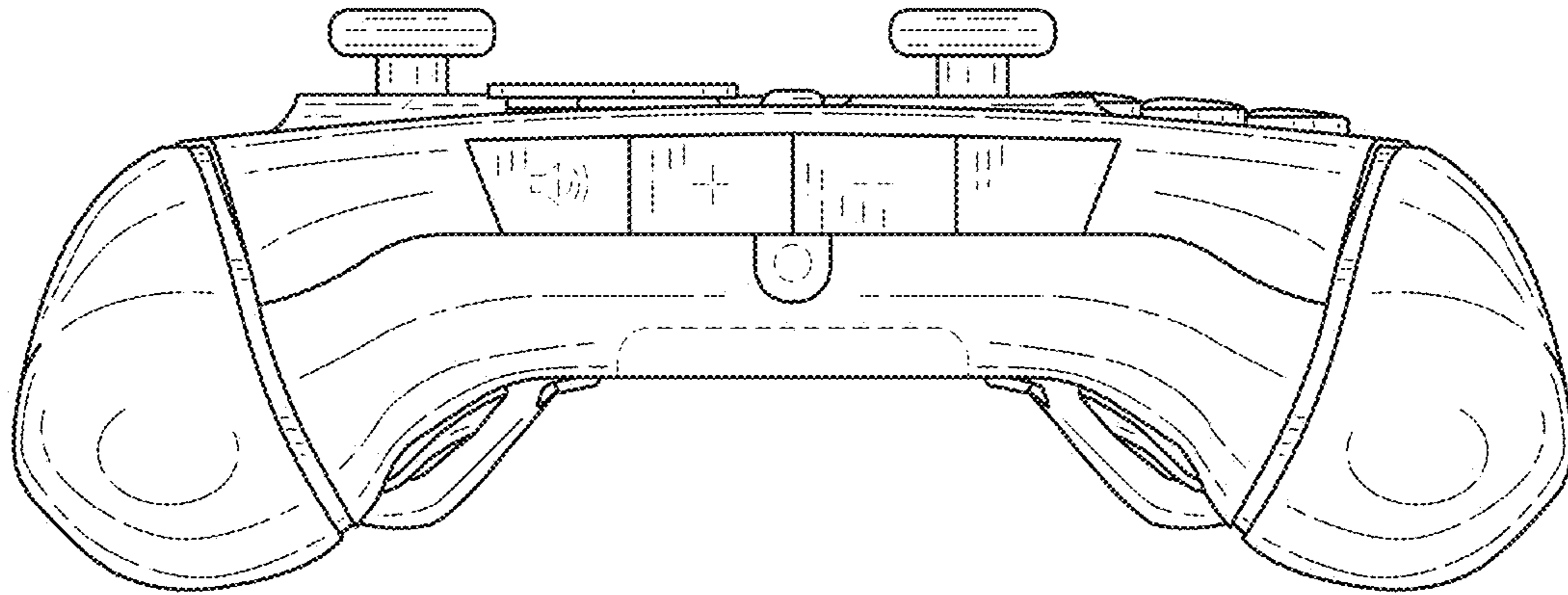


FIG.3

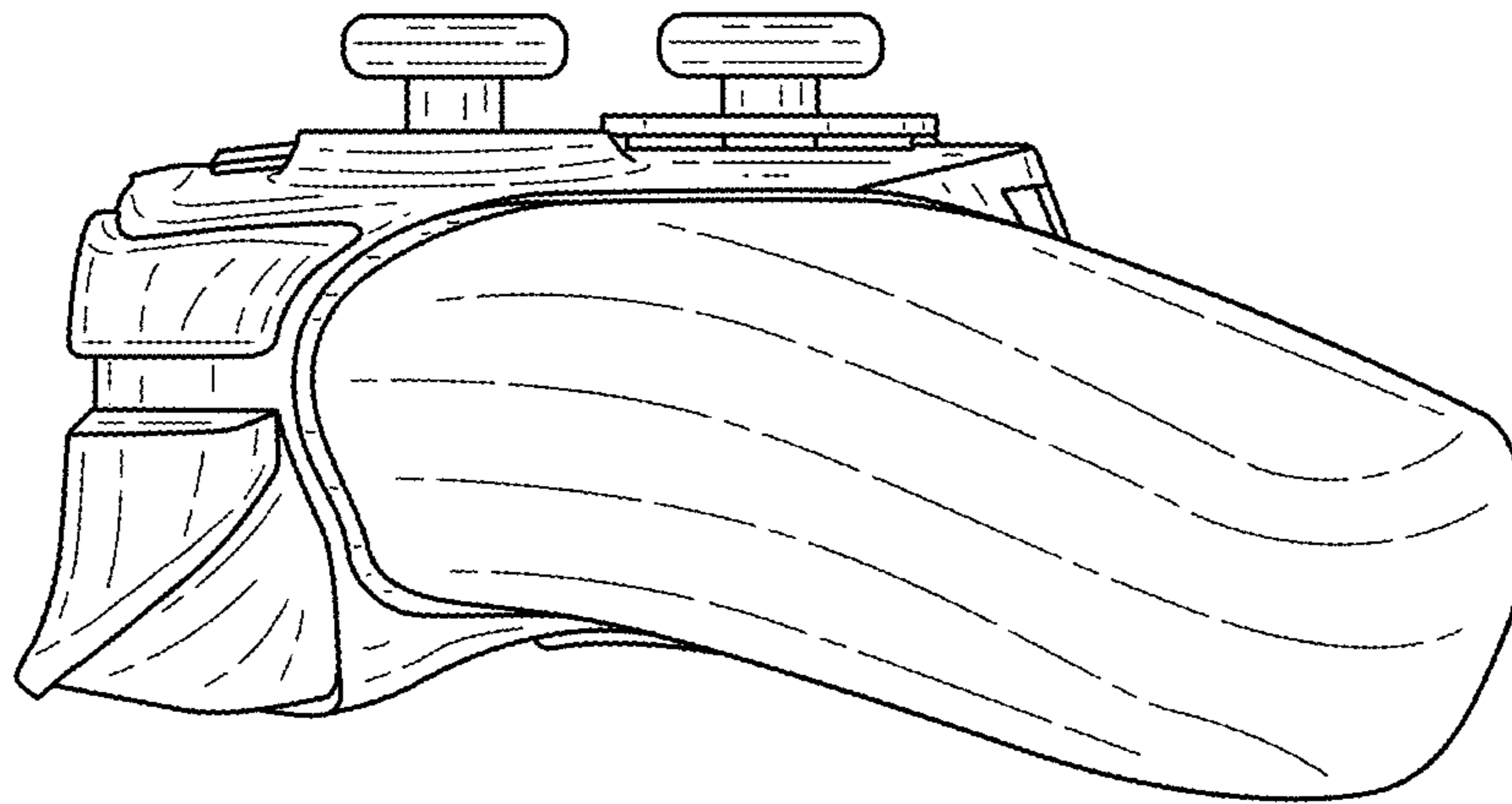


FIG.4

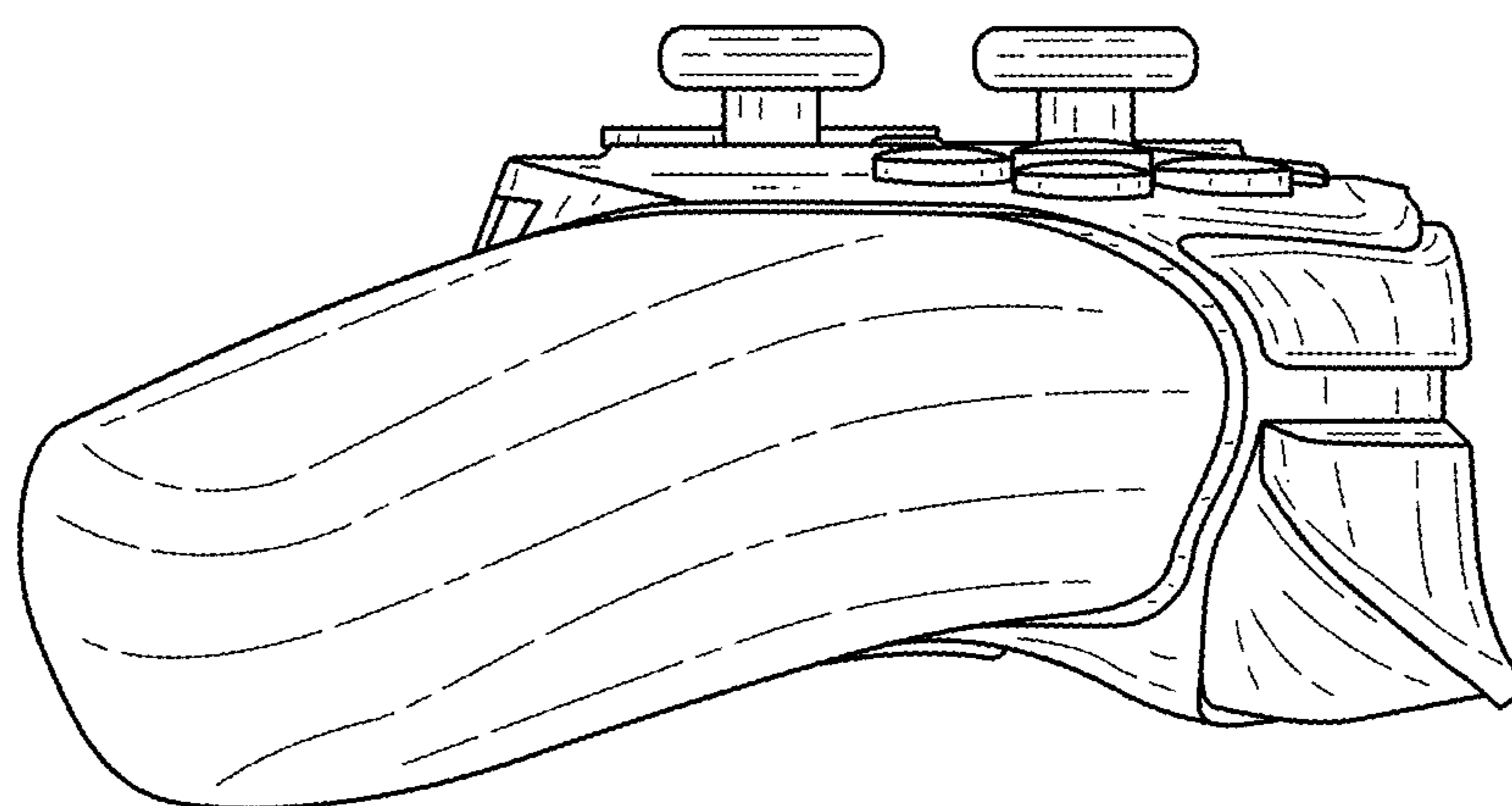


FIG.5

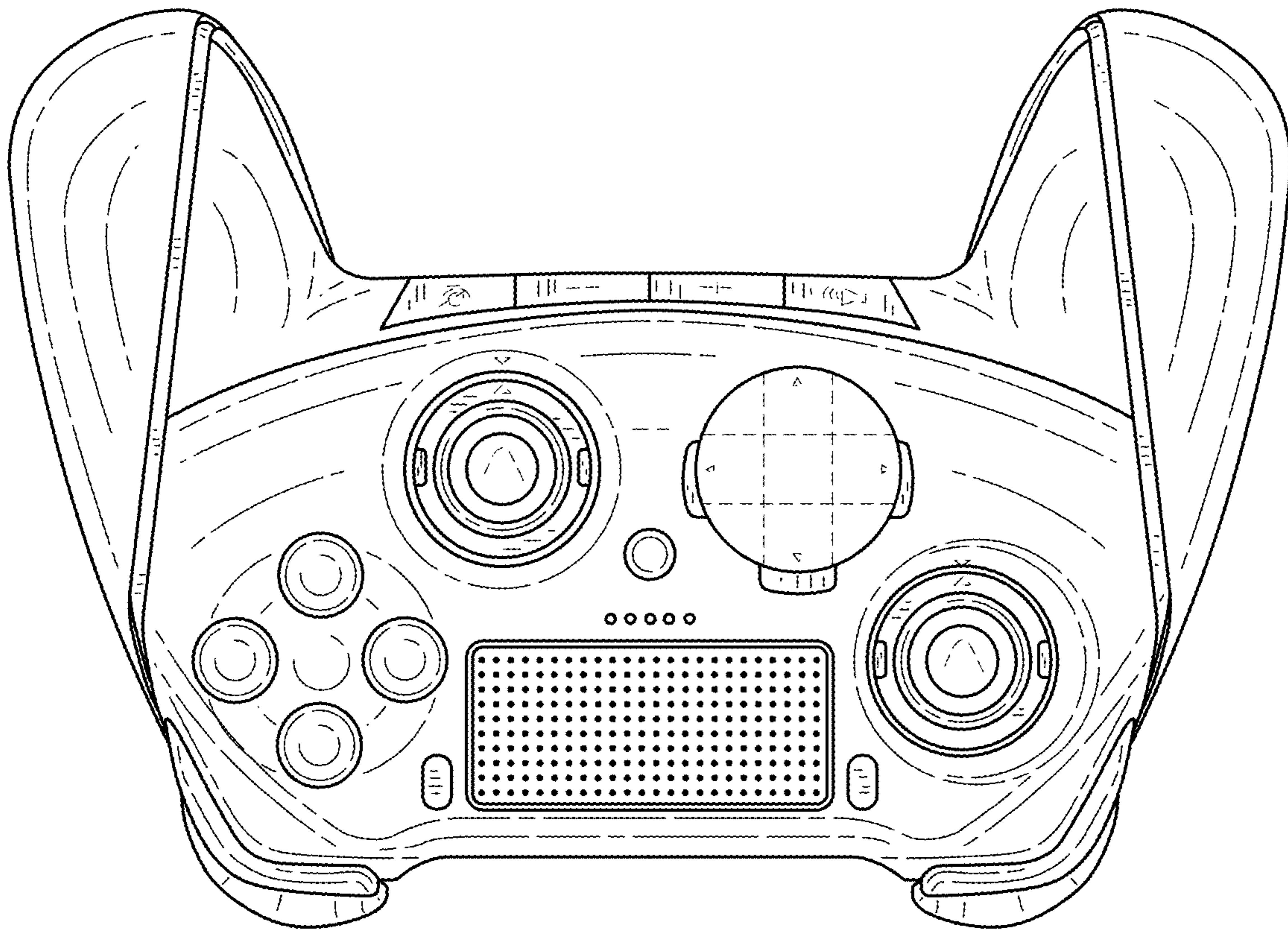


FIG.6





FIG.7