



US00D870814S

(12) **United States Design Patent**
Florczak et al.

(10) **Patent No.:** **US D870,814 S**

(45) **Date of Patent:** **** Dec. 24, 2019**

- (54) **CEILING MOUNTED SIGN**
- (71) Applicant: **Crestron Electronics, Inc.**, Rockleigh, NJ (US)
- (72) Inventors: **Donald Florczak**, Tenafly, NJ (US); **Wendy Feldstein King**, Old Tappan, NJ (US); **Daniel Previti**, Tarrytown, NY (US)
- (73) Assignee: **Crestron Electronics, Inc.**, Rockleigh, NJ (US)
- (**) Term: **15 Years**

- 5,289,652 A * 3/1994 Kringel G09F 3/204
40/651
- D352,070 S * 11/1994 Gibson D20/40
- 5,617,661 A * 4/1997 Mason G09F 3/204
248/900
- 5,829,177 A * 11/1998 Hjaltason G02B 6/0003
40/546
- 5,911,525 A * 6/1999 Jepsen G09F 1/12
40/606.18
- 6,012,244 A * 1/2000 Begum B62B 3/1408
40/651
- 6,202,334 B1 * 3/2001 Reynolds G09F 7/18
40/608
- 6,233,858 B1 * 5/2001 Brach, Jr. G09F 3/20
40/606.18

(Continued)

- (21) Appl. No.: **29/606,854**
- (22) Filed: **Jun. 8, 2017**
- (51) **LOC (12) Cl.** **20-03**
- (52) **U.S. Cl.**
USPC **D20/10; D20/42**
- (58) **Field of Classification Search**
USPC D20/10, 11, 21-28, 37, 39-42, 99;
D10/54, 109, 109.1, 111, 113.4, 114,
D10/114.1, 10, 11, 21-28, 37, 39-42, 99
CPC G09F 1/00; G09F 1/02; G09F 2003/023;
G09F 2003/0261; G09F 2003/0264; G09F
7/00; G09F 3/206; G09F 13/00; G09F
2007/1807; G09F 13/04; G09F
2013/0427; G09F 2013/0495; G09F 7/04;
G09D 3/00
See application file for complete search history.

Primary Examiner — Mary Ann Calabrese
(74) *Attorney, Agent, or Firm* — Crestron Electronics, Inc.

(57) **CLAIM**

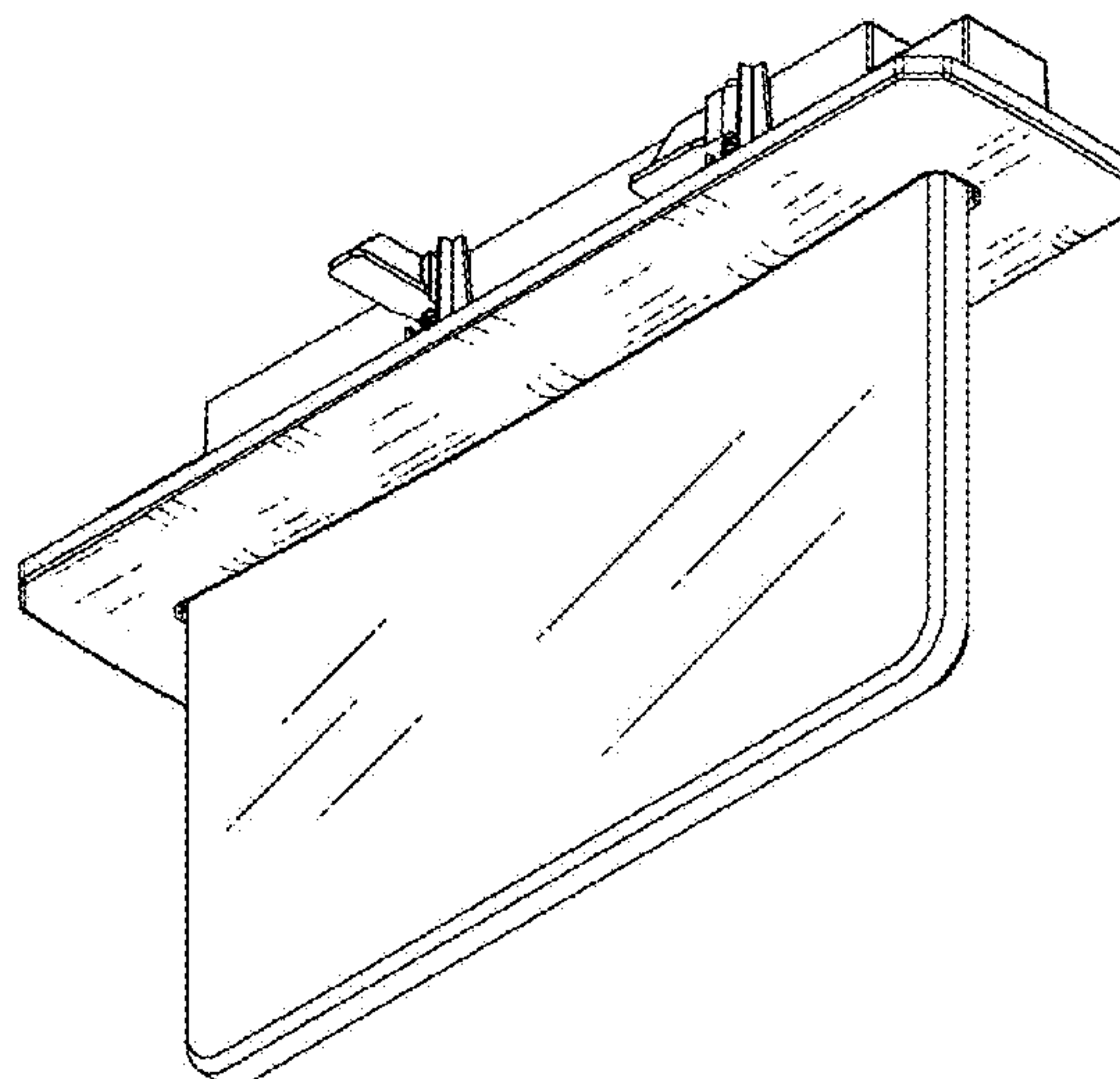
The ornamental design for a ceiling mounted sign, as shown and described.

DESCRIPTION

FIG. 1 is a front perspective view of a ceiling mounted sign illustrating the new design.
FIG. 2 shows a top perspective view of the ceiling mounted sign illustrated in FIG. 1.
FIG. 3 shows a front view of the ceiling mounted sign illustrated in FIG. 1.
FIG. 4 shows a top view of the ceiling mounted sign illustrated in FIG. 1.
FIG. 5 shows a left side view of the ceiling mounted sign illustrated in FIG. 1; and,
FIG. 6 shows a right side view of the ceiling mounted sign illustrated in FIG. 1.
The broken line showing of elements on the ceiling mounted sign illustrate portions of the article that form no part of the claimed design.

- (56) **References Cited**
U.S. PATENT DOCUMENTS
1,532,865 A * 4/1925 Beck E01F 9/602
116/63 R
2,070,652 A * 2/1937 Elmer G09F 1/14
40/607.1
4,805,331 A * 2/1989 Boggess G09F 7/22
211/59.2
4,881,707 A * 11/1989 Garfinkle G09F 7/22
248/222.12

1 Claim, 6 Drawing Sheets



(56)

References Cited

U.S. PATENT DOCUMENTS

6,241,369 B1 * 6/2001 Mackiewicz F21S 8/033
 362/147
 6,449,886 B1 * 9/2002 Gray G09F 1/10
 281/21.1
 D472,277 S * 3/2003 Beghelli D20/42
 D474,509 S * 5/2003 Kim D20/42
 D478,633 S * 8/2003 Beghelli D20/42
 D500,811 S * 1/2005 Ouelet D20/39
 D527,426 S * 8/2006 Mason D20/43
 D534,214 S * 12/2006 Marcy D19/113
 D549,605 S * 8/2007 Harrell D10/111
 7,308,771 B2 * 12/2007 Memelink G09F 3/20
 150/147
 D609,753 S * 2/2010 Dukes D20/43
 D625,363 S * 10/2010 Lee D20/42
 D649,599 S * 11/2011 Yi D20/42
 D669,938 S * 10/2012 Lard D20/10
 D670,766 S * 11/2012 Busch D20/43
 D693,409 S * 11/2013 Clark D20/43
 8,607,487 B1 * 12/2013 Magness G09F 7/22
 206/570
 D697,975 S * 1/2014 Yu D20/19
 D700,097 S * 2/2014 Hasan D10/114.1
 D744,040 S * 11/2015 Schloss G09F 13/18
 D20/10
 D751,650 S * 3/2016 Landwehr D20/43
 D778,365 S * 2/2017 Kott D20/43
 D778,366 S * 2/2017 Kott D20/43

* cited by examiner

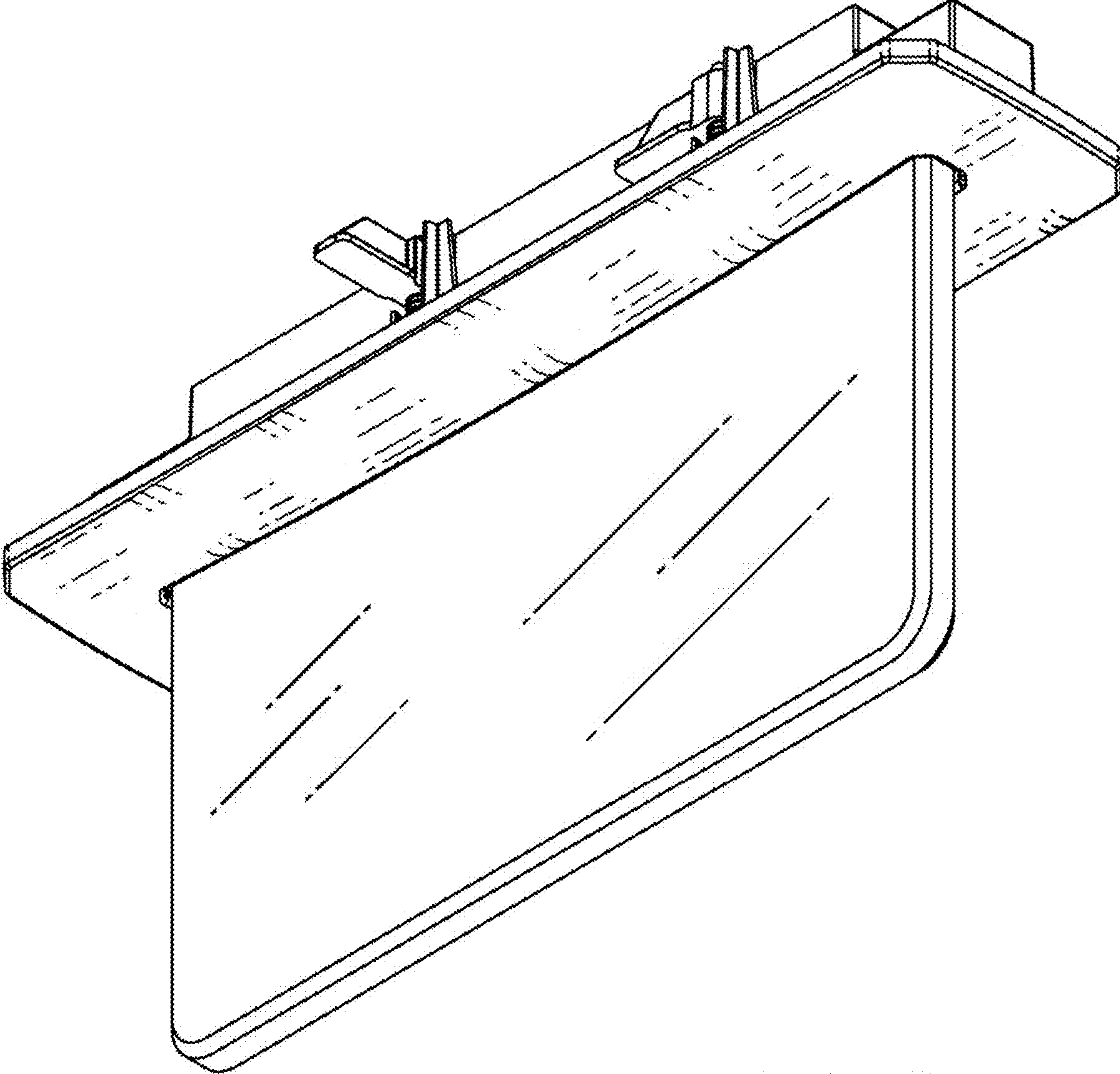


FIG. 1

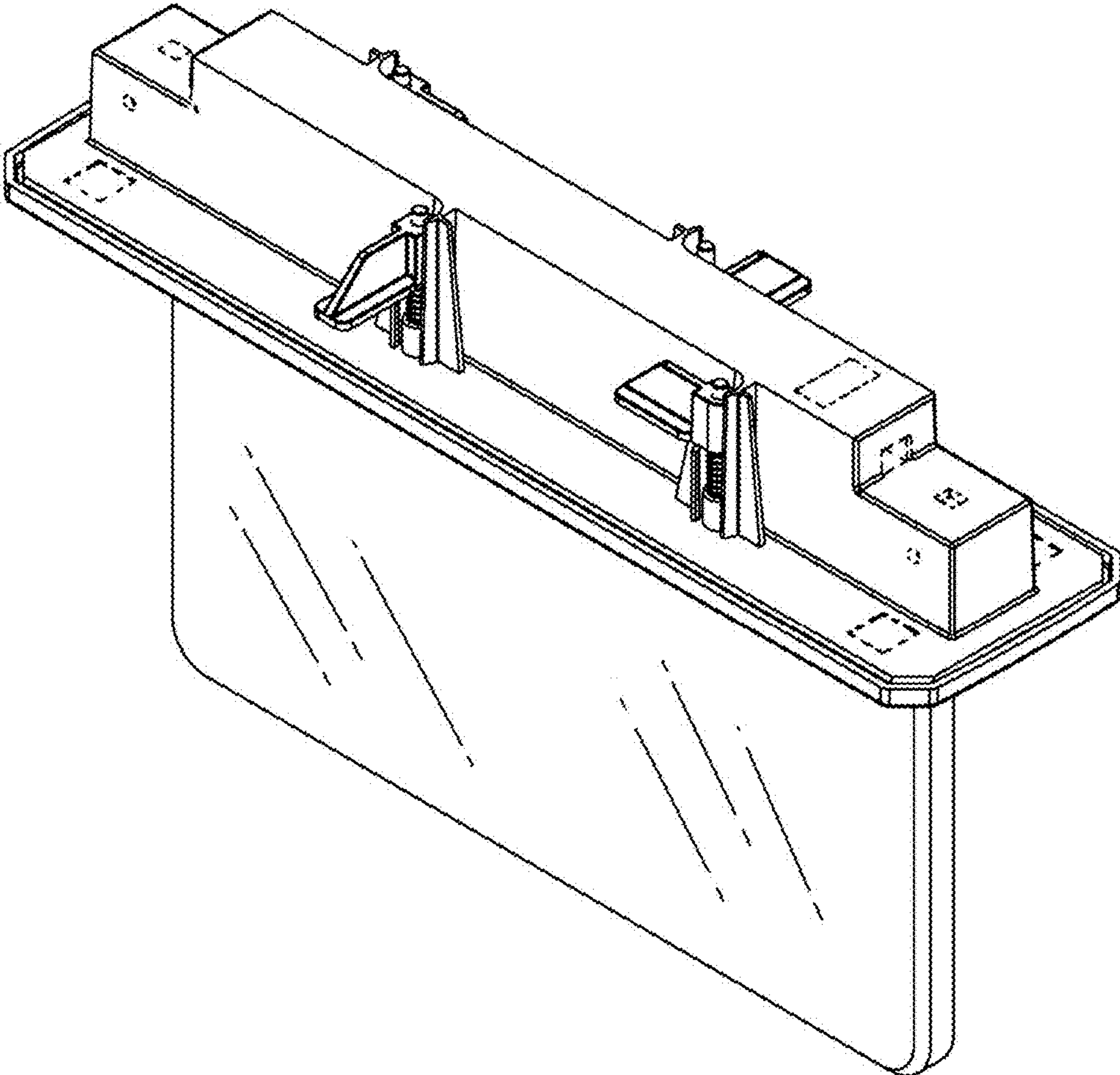


FIG. 2

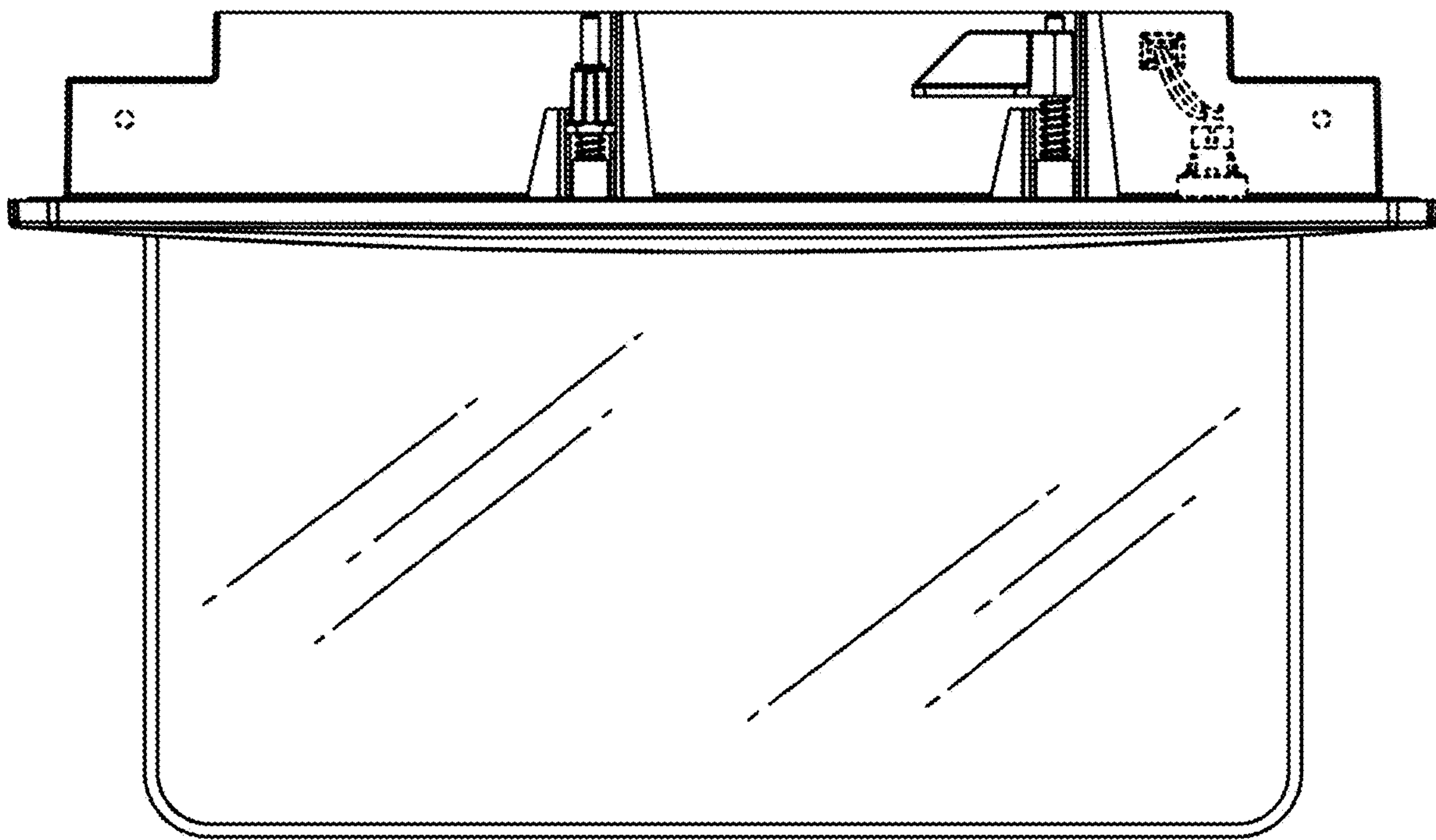


FIG. 3

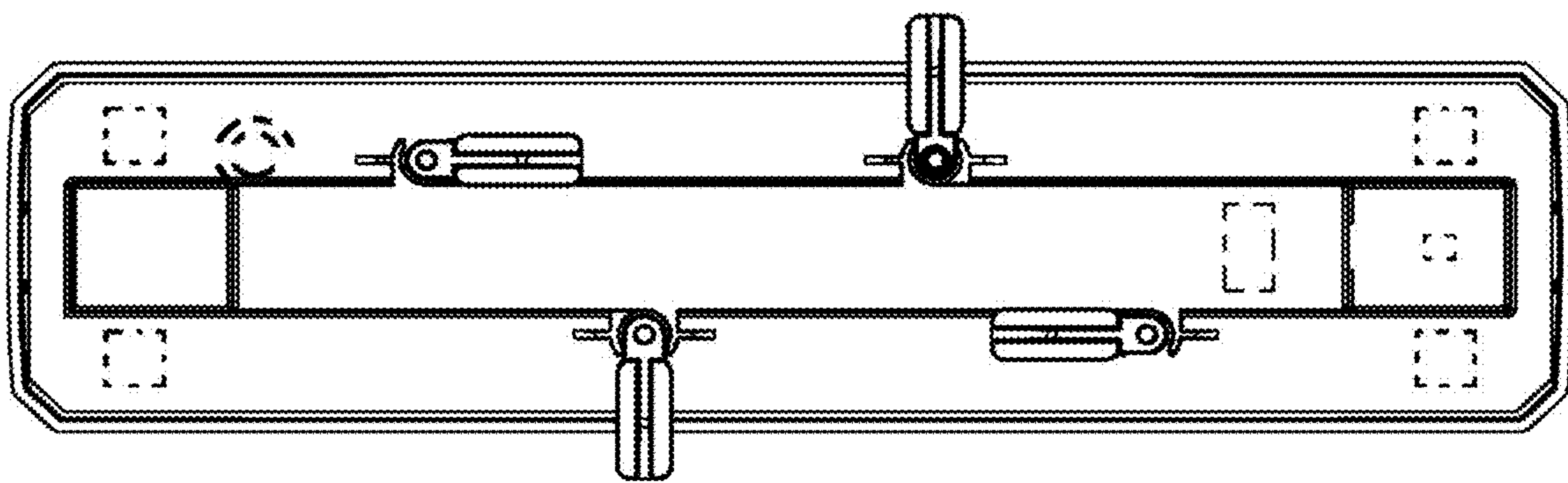


FIG. 4

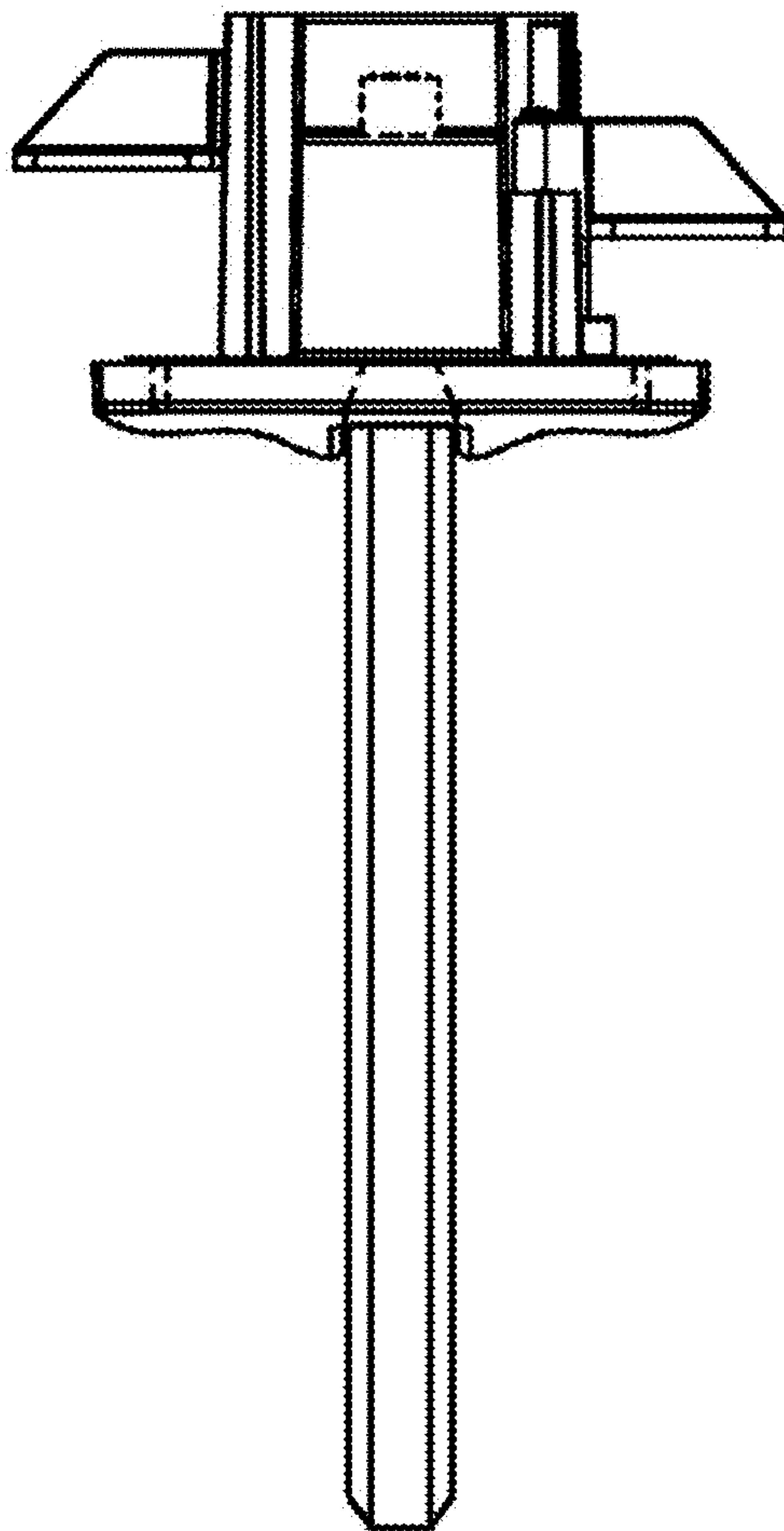


FIG. 5

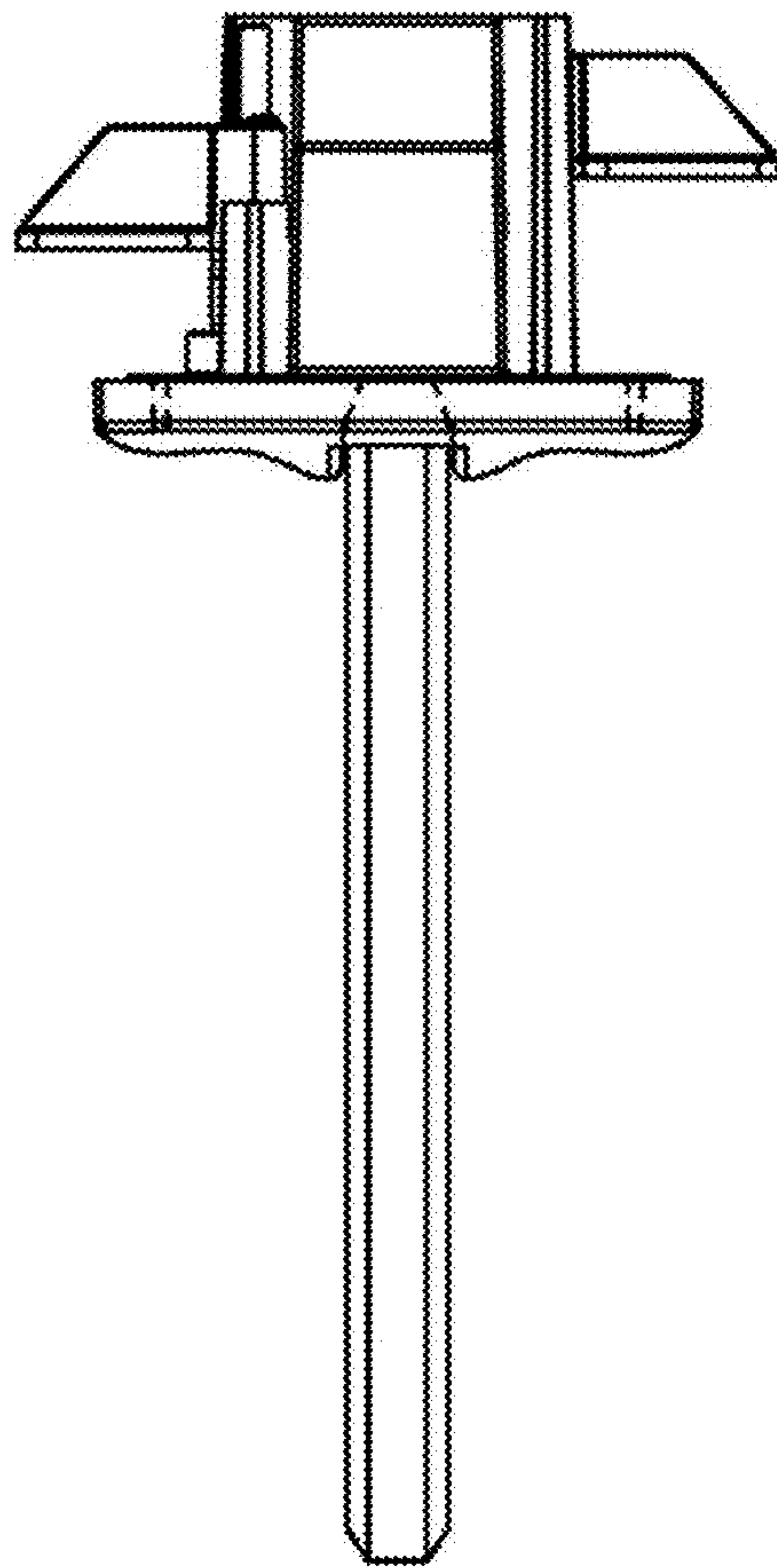


FIG. 6