



US00D870812S

(12) **United States Design Patent** (10) **Patent No.:** **US D870,812 S**  
**Zhang** (45) **Date of Patent:** **\*\* Dec. 24, 2019**

(54) **PEN**  
(71) Applicant: **NINGBO SYLOON IMPORT AND EXPORT CO., LTD.**, Ning Bo, Zhe Jiang Province (CN)

D383,494 S *	9/1997	Polenberg	.....	D19/168
D422,023 S *	3/2000	Tedaldi	.....	D19/164
D475,404 S *	6/2003	De Bon	.....	D19/164
D567,288 S *	4/2008	Keil	.....	D19/170
D569,906 S *	5/2008	Cetera	.....	D19/170
D652,079 S *	1/2012	Tissier	.....	D19/170
D689,936 S *	9/2013	Jiang	.....	D19/174

(72) Inventor: **Jilong Zhang**, Ning Bo (CN)  
(73) Assignee: **NINGBO SYLOON IMPORT AND EXPORT CO., LTD.**, Ning Bo (CN)

**FOREIGN PATENT DOCUMENTS**

(\*\*) Term: **15 Years**

CN	301105456	*	1/2010
CN	304494543	*	2/2018
CN	304589088	*	4/2018
GB	20112203	*	3/1992
IN	258118-0001	*	8/2014

(21) Appl. No.: **29/647,328**

**OTHER PUBLICATIONS**

(22) Filed: **May 11, 2018**

JetStream posted by UNI posted date Nov. 23, 2011, © Amazon, [online], [site visited Aug. 26, 2019]. Available from Internet, [https://www.amazon.com/Uni-ball-Jetstream-Color-Ballpoint-Pencil/dp/B002H9W9NI/ref=sr\\_1\\_223?keywords=twist+pen&qid=1567125394&s=gateway&sr=8-223](https://www.amazon.com/Uni-ball-Jetstream-Color-Ballpoint-Pencil/dp/B002H9W9NI/ref=sr_1_223?keywords=twist+pen&qid=1567125394&s=gateway&sr=8-223) (Year: 2011).\*

(30) **Foreign Application Priority Data**

Dec. 6, 2017 (CN) ..... 2017 3 0615948

(51) **LOC (12) Cl.** ..... **19-06**

(52) **U.S. Cl.** ..... **D19/169**  
USPC .....

(58) **Field of Classification Search**  
USPC ..... D19/158-162, 163-169, 903-919,  
D19/925-930, 931-934, 170-177,  
D19/178-186, 187-189, 190-192,  
D19/193-201, 202-204, 901-902,  
D19/920-924

CPC ..... G06F 3/03545; G09B 5/04; B43K 23/001;  
B43K 23/12; B43K 24/03

See application file for complete search history.

(Continued)

*Primary Examiner* — Cynthia Ramirez

*Assistant Examiner* — Laura H Yu

(74) *Attorney, Agent, or Firm* — Oliff PLC

(57) **CLAIM**

I claim the ornamental design for a pen, as shown and described.

**DESCRIPTION**

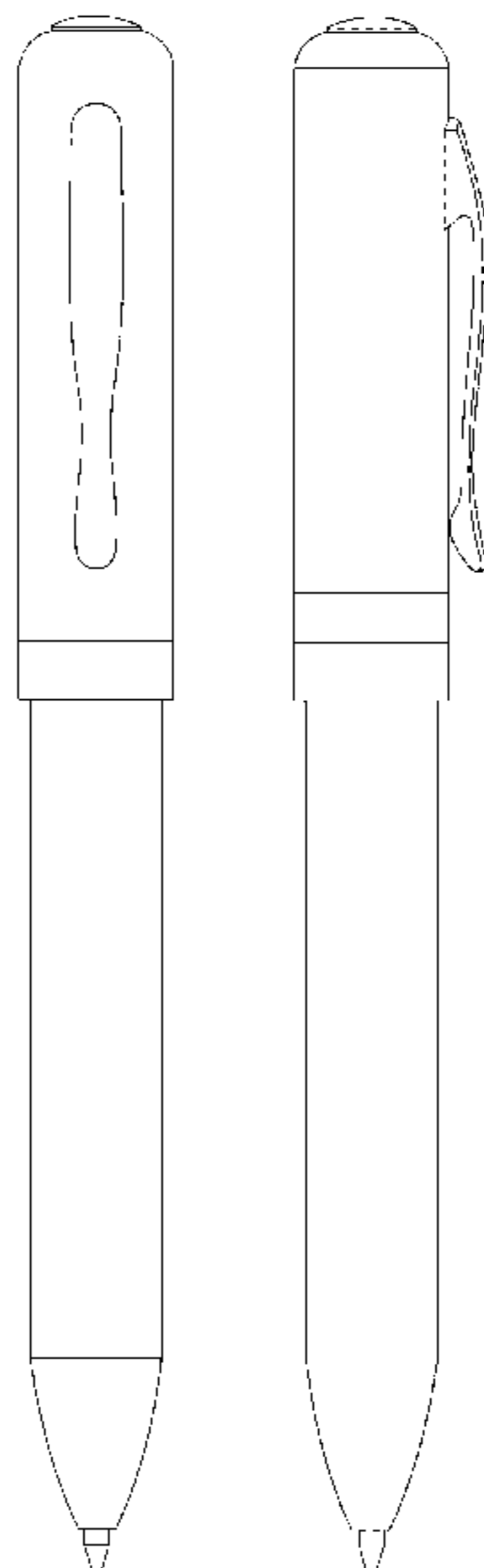
FIG. 1 is a top plan view of the pen;  
FIG. 2 is a right-side elevational view thereof;  
FIG. 3 is a front elevational view thereof;  
FIG. 4 is a left-side elevational view thereof;  
FIG. 5 is a rear elevational view thereof; and,  
FIG. 6 is a bottom plan view thereof.

**1 Claim, 1 Drawing Sheet**

(56) **References Cited**

**U.S. PATENT DOCUMENTS**

4,389,132 A *	6/1983	Valadez	.....	B43K 8/024
				401/195
D349,129 S *	7/1994	Linderson	.....	D19/164
D355,439 S *	2/1995	Hollington	.....	D19/168
D381,043 S *	7/1997	Hasegawa	.....	D19/168



(56)

**References Cited**

OTHER PUBLICATIONS

Pen posted by iMEANiy posted date Oct. 30, 2018, © Amazon, [online], [site visited Aug. 26, 2019]. Available from Internet, <https://www.amazon.com/iMeaniy-Ballpoint-Signature-Colleague-Executive> (Year: 2018).\*

Damask Pen posted by Dicksons posted date Jun. 12, 2017, © Amazon, [online], [site visited Aug. 26, 2019]. Available from Internet, <https://www.amazon.com/Damask-Cross-Green-Chrome-Ballpoint> (Year: 2017).\*

\* cited by examiner

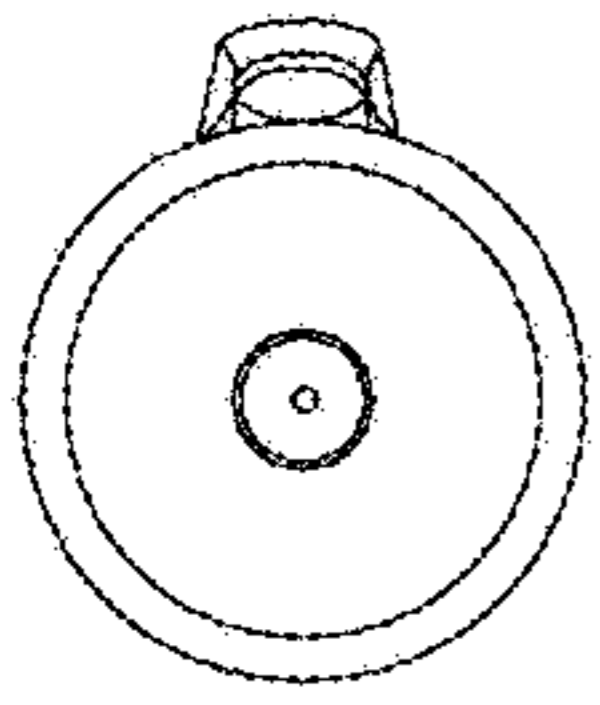


FIG. 1

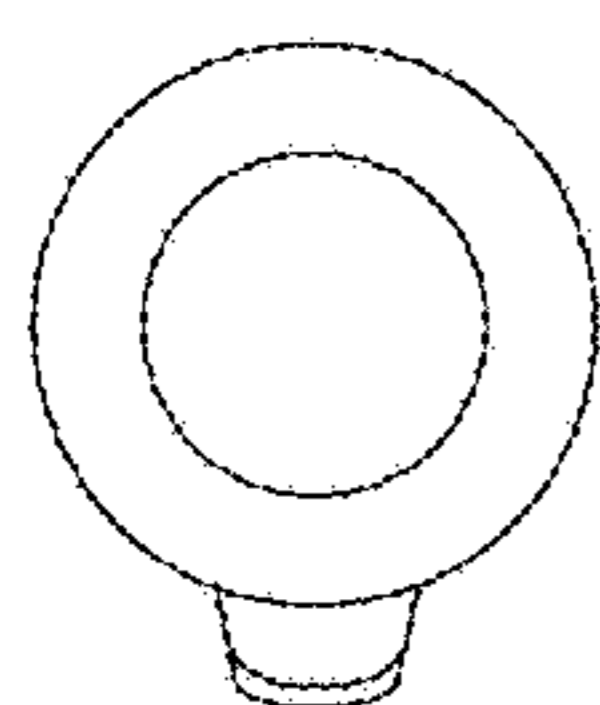
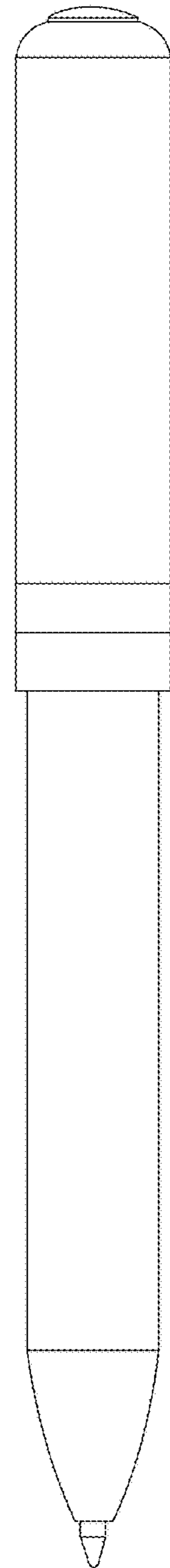
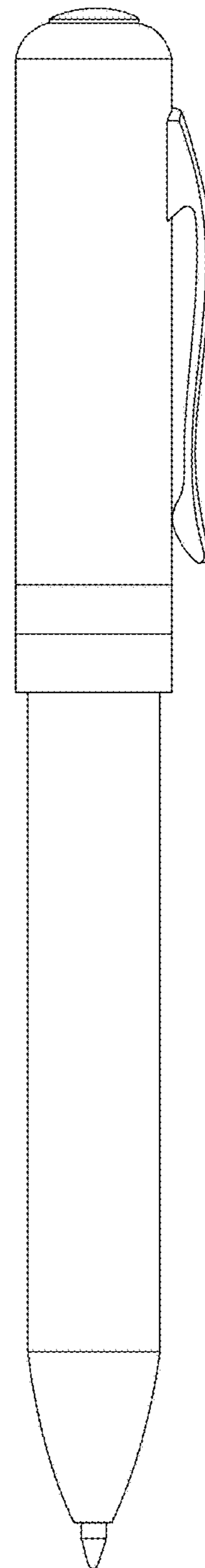
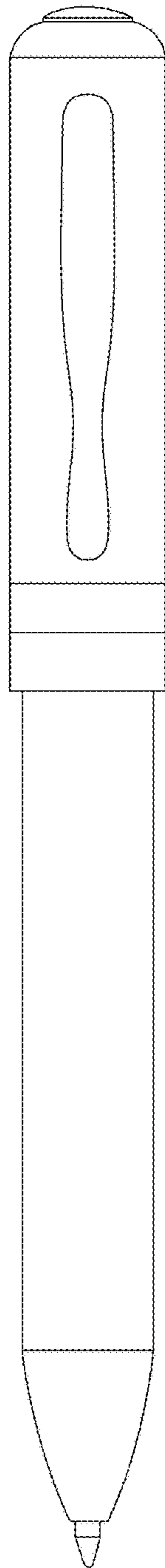
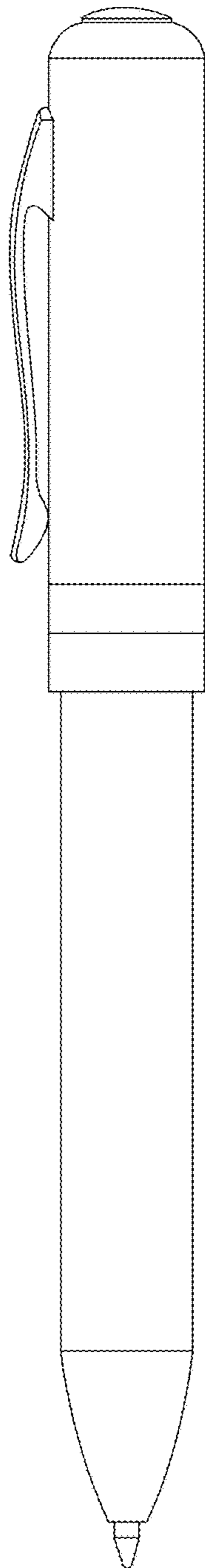


FIG. 6

FIG. 2

FIG. 3

FIG. 4

FIG. 5