

US00D870810S

(12) **United States Design Patent**  
**Kurani et al.**

(10) **Patent No.:** **US D870,810 S**

(45) **Date of Patent:** **\*\* Dec. 24, 2019**

- (54) **WRITING INSTRUMENT WITH MEASURING TOOLS**
- (71) Applicants: **Hemal B. Kurani**, Sunnyvale, CA (US); **Hetal B. Kurani**, Sunnyvale, CA (US)
- (72) Inventors: **Hemal B. Kurani**, Sunnyvale, CA (US); **Hetal B. Kurani**, Sunnyvale, CA (US)
- (\*\*) Term: **15 Years**
- (21) Appl. No.: **29/634,801**
- (22) Filed: **Jan. 25, 2018**
- (51) **LOC (12) Cl.** ..... **19-06**
- (52) **U.S. Cl.**  
USPC ..... **D19/133**
- (58) **Field of Classification Search**  
USPC ..... D19/115-204; D14/411; D10/70  
CPC . B43K 5/005; B43K 7/12; B43K 8/04; B43K 8/06; B43K 19/00; B43K 19/02; B43K 19/14; B43K 21/006; B43K 21/06  
See application file for complete search history.

2,505,437	A *	4/1950	Skolnick	.....	B25J 9/02	33/27.02
D192,748	S *	5/1962	Brockman	.....	D10/62	
D230,403	S *	2/1974	Englund	.....	D14/431	
D248,864	S *	8/1978	Yen	.....	D10/62	
D258,911	S *	4/1981	Sandel	.....	D10/62	
D279,870	S *	7/1985	Wilson	.....	D10/62	
D318,489	S *	7/1991	Cho-Kai	.....	D10/71	
D375,759	S *	11/1996	Piscatelli	.....	401/195	
5,865,552	A *	2/1999	Manno	.....	B43K 25/026	132/328
D420,702	S *	2/2000	Chang	.....	D19/133	
6,076,986	A *	6/2000	Manno	.....	B43K 25/026	401/195
D462,988	S *	9/2002	Knudsen	.....	D10/71	
D492,346	S *	6/2004	Huang	.....	D19/133	
D660,910	S *	5/2012	Carpenter	.....	D19/133	
D675,621	S *	2/2013	Fletcher	.....	D14/411	
D789,370	S *	6/2017	Akana	.....	D14/411	
2011/0090181	A1 *	4/2011	Maridakis	.....	B43K 19/00	345/179

\* cited by examiner

*Primary Examiner* — Elizabeth A. Albert

(57) **CLAIM**

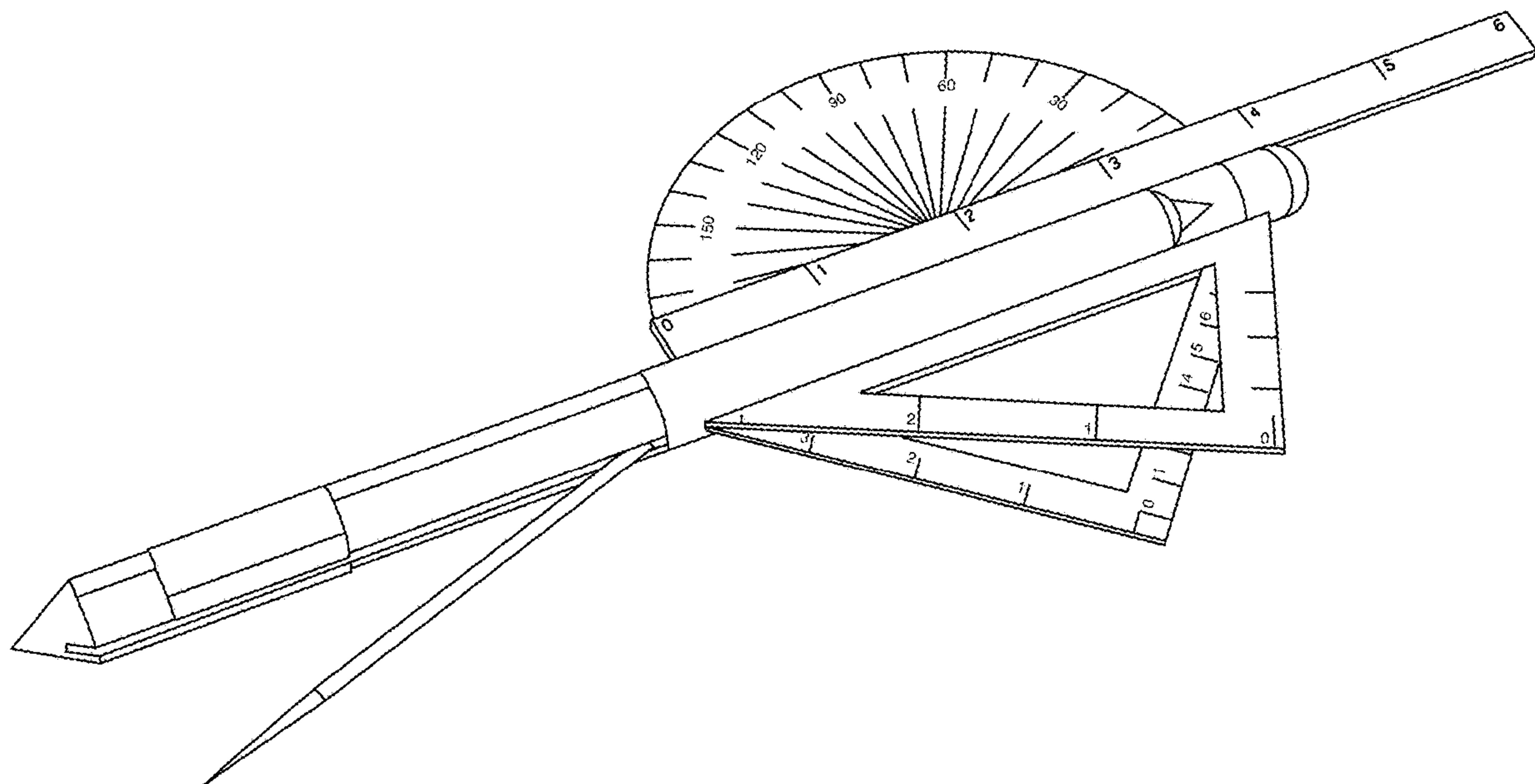
The ornamental design for a writing instrument with measuring tools, as shown and described.

**DESCRIPTION**

FIG. 1 is a top plan view of the writing instrument with measuring tools showing our new design;  
 FIG. 2 is a side elevational view thereof;  
 FIG. 3 is another side elevational view thereof;  
 FIG. 4 is a front elevational view thereof with the compass in open position;  
 FIG. 5 is a back elevational view thereof;  
 FIG. 6 is a bottom plan view thereof; and,  
 FIG. 7 is a perspective view thereof.

**1 Claim, 7 Drawing Sheets**

- (56) **References Cited**  
U.S. PATENT DOCUMENTS
- 459,519 A \* 9/1891 Collins ..... B43L 9/02 33/27.02
- 482,409 A \* 9/1892 Mildrum ..... B43L 9/02 33/27.02
- 1,607,097 A \* 11/1926 Murphy ..... B43K 29/08 33/485
- 1,974,667 A \* 9/1934 Solinger ..... B43K 29/00 401/52
- D128,985 S \* 8/1941 Weiss ..... D11/201
- D154,034 S \* 6/1949 Fischer ..... D19/185



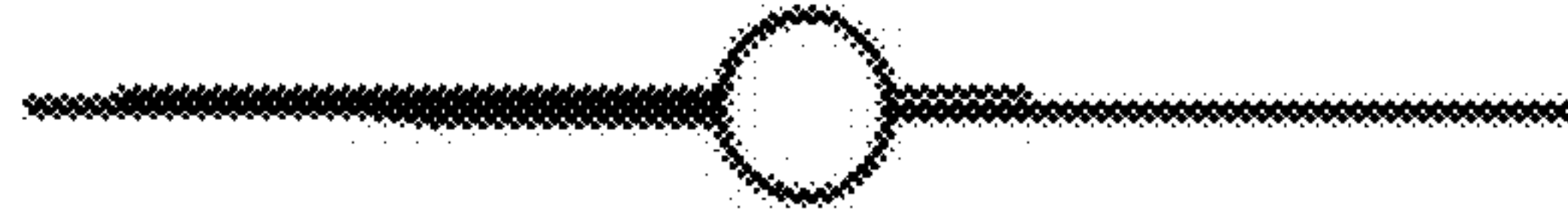


FIGURE 1

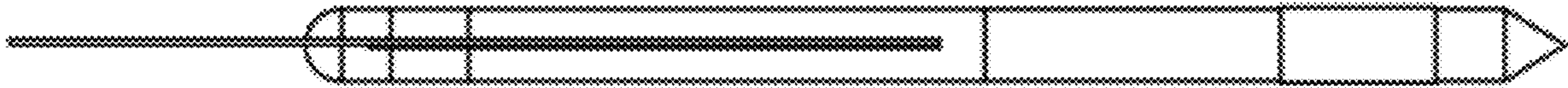


FIGURE 2

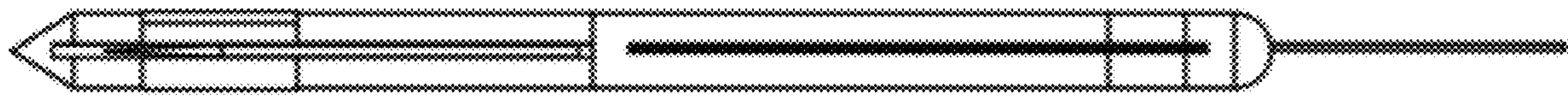


FIGURE 3

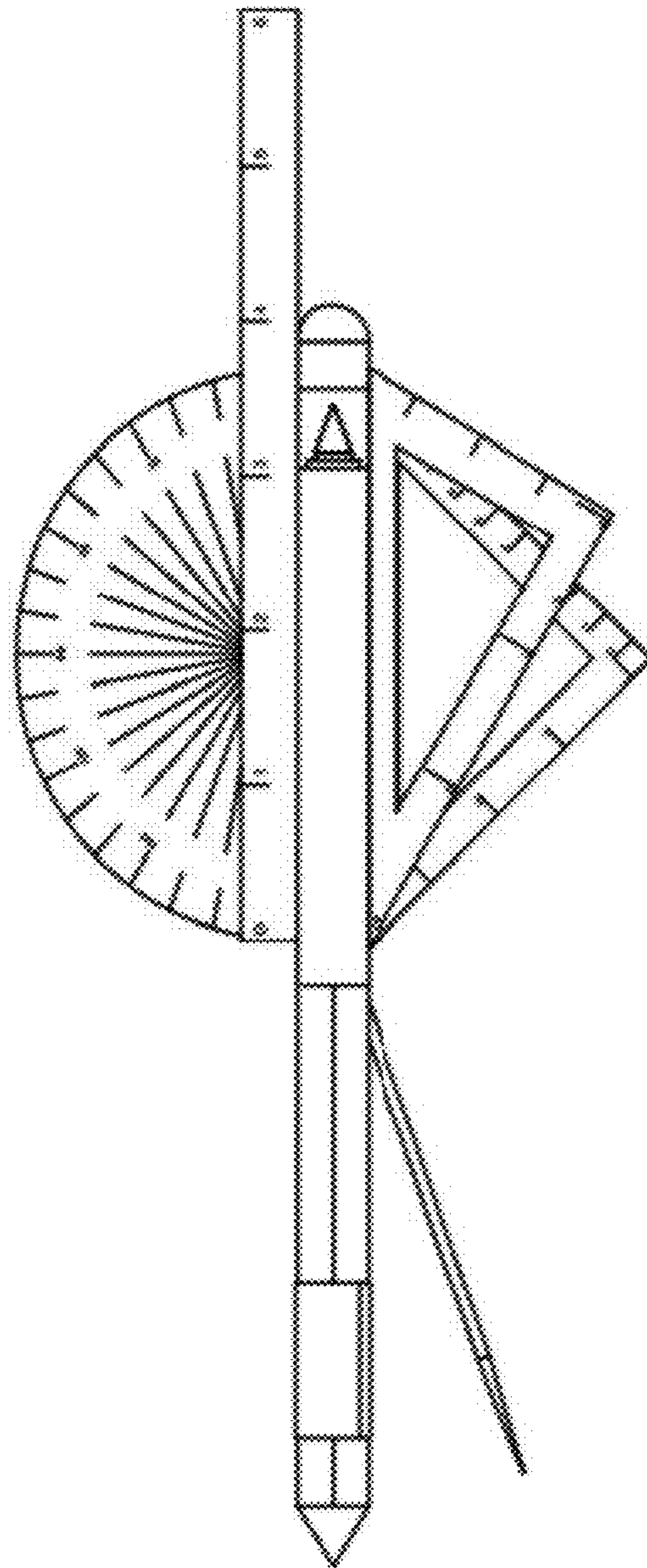


FIGURE 4

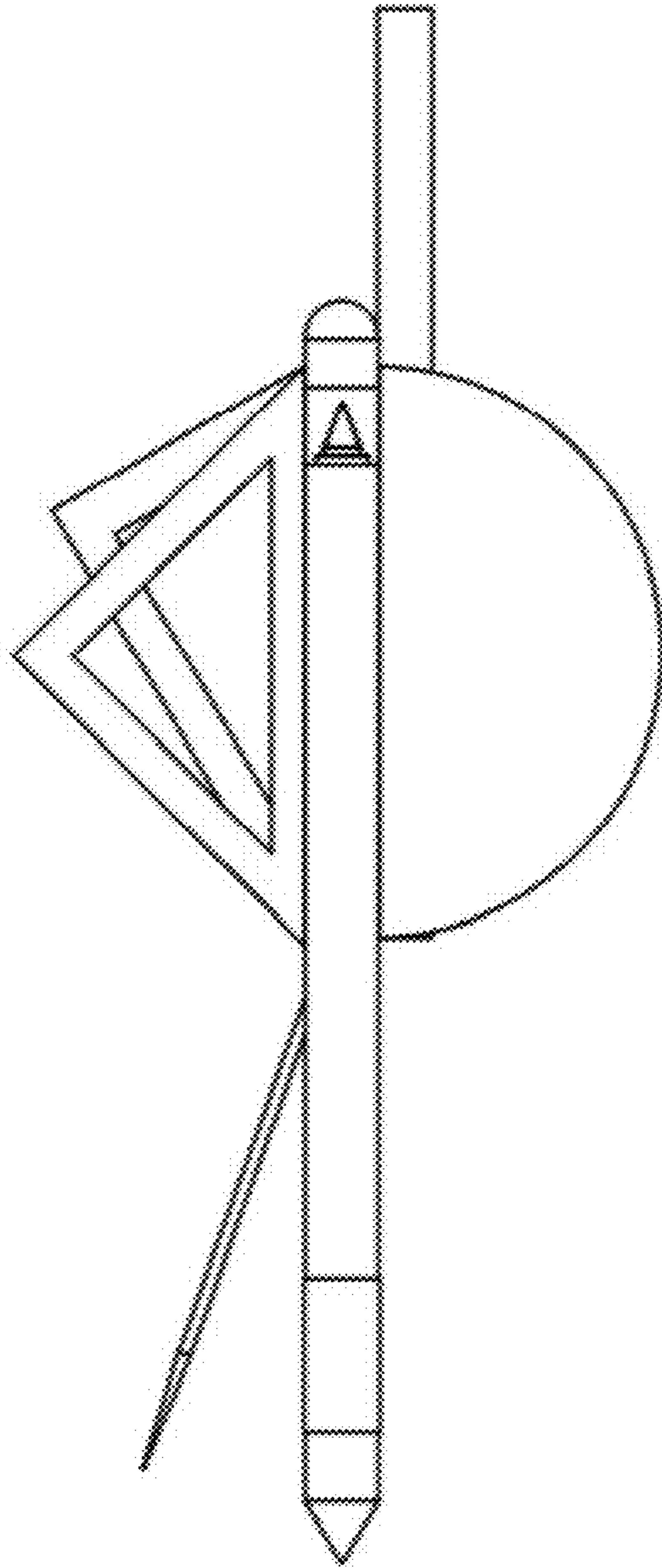


FIGURE 5



FIGURE 6



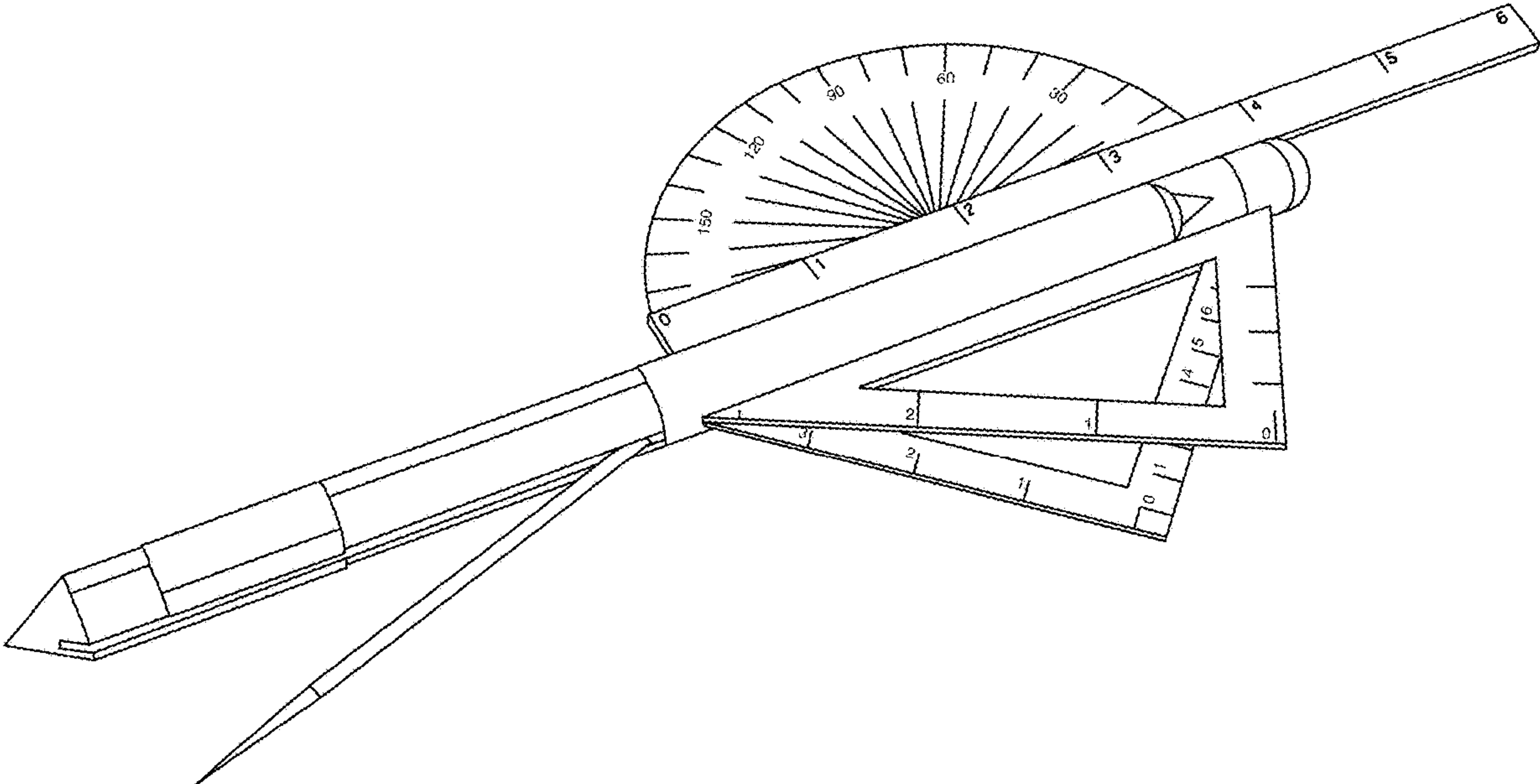


FIGURE 7