



US00D870807S

(12) **United States Design Patent**
Shirane et al.

(10) **Patent No.:** **US D870,807 S**

(45) **Date of Patent:** **** Dec. 24, 2019**

(54) **COPYING MACHINE**

(71) Applicants: **Ryuichi Shirane**, Ohta-ku (JP); **Yuki Sato**, Ohta-ku (JP)

(72) Inventors: **Ryuichi Shirane**, Ohta-ku (JP); **Yuki Sato**, Ohta-ku (JP)

(73) Assignee: **Ricoh Company, Ltd.**, Tokyo (JP)

(**) Term: **15 Years**

(21) Appl. No.: **29/667,435**

(22) Filed: **Oct. 22, 2018**

(30) **Foreign Application Priority Data**

Apr. 24, 2018 (JP) 2018-008999

(51) **LOC (12) Cl.** **16-03**

(52) **U.S. Cl.**
USPC **D18/45**; D18/36; D18/40

(58) **Field of Classification Search**
USPC D18/36-39, 45, 53, 59; D6/693.3, 657,
D6/668.2

CPC G03G 21/1633; B41J 11/00; B41J 15/00;
B41J 15/12; B41J 15/42; A47B 91/005

See application file for complete search history.

(56) **References Cited**

U.S. PATENT DOCUMENTS

D415,791 S * 10/1999 Okamura D18/59
D438,559 S * 3/2001 Matsumoto D18/39
D443,887 S * 6/2001 Ogawa D18/39
D446,119 S * 8/2001 Sabo D9/446
D533,731 S * 12/2006 Boerner D6/657
D623,435 S * 9/2010 Najarian D6/668.2

D758,766 S * 6/2016 Kirar D6/668.2
D764,576 S * 8/2016 Cho D18/53
D764,577 S * 8/2016 Cho D18/53
D781,956 S * 3/2017 Egami D18/56
D803,308 S * 11/2017 Takahashi D18/36
D815,465 S * 4/2018 Hannoosh D6/657
D828,443 S * 9/2018 Brown D18/53
2018/0231927 A1 * 8/2018 Kunihisa G03G 15/5004

FOREIGN PATENT DOCUMENTS

JP 2007-078994 3/2007
JP D1545689 3/2016

* cited by examiner

Primary Examiner — Barbara Fox

Assistant Examiner — J. Thorn, Sr.

(74) *Attorney, Agent, or Firm* — Oblon, McClelland,
Maier & Neustadt, L.L.P.

(57) **CLAIM**

The ornamental design for a copying machine, as shown and described.

DESCRIPTION

FIG. 1 is a front, top, and left side perspective view of a copying machine;

FIG. 2 is a front, top, and right side perspective view thereof;

FIG. 3 is a front elevational view thereof;

FIG. 4 is a rear elevational view thereof;

FIG. 5 is a top plan view thereof;

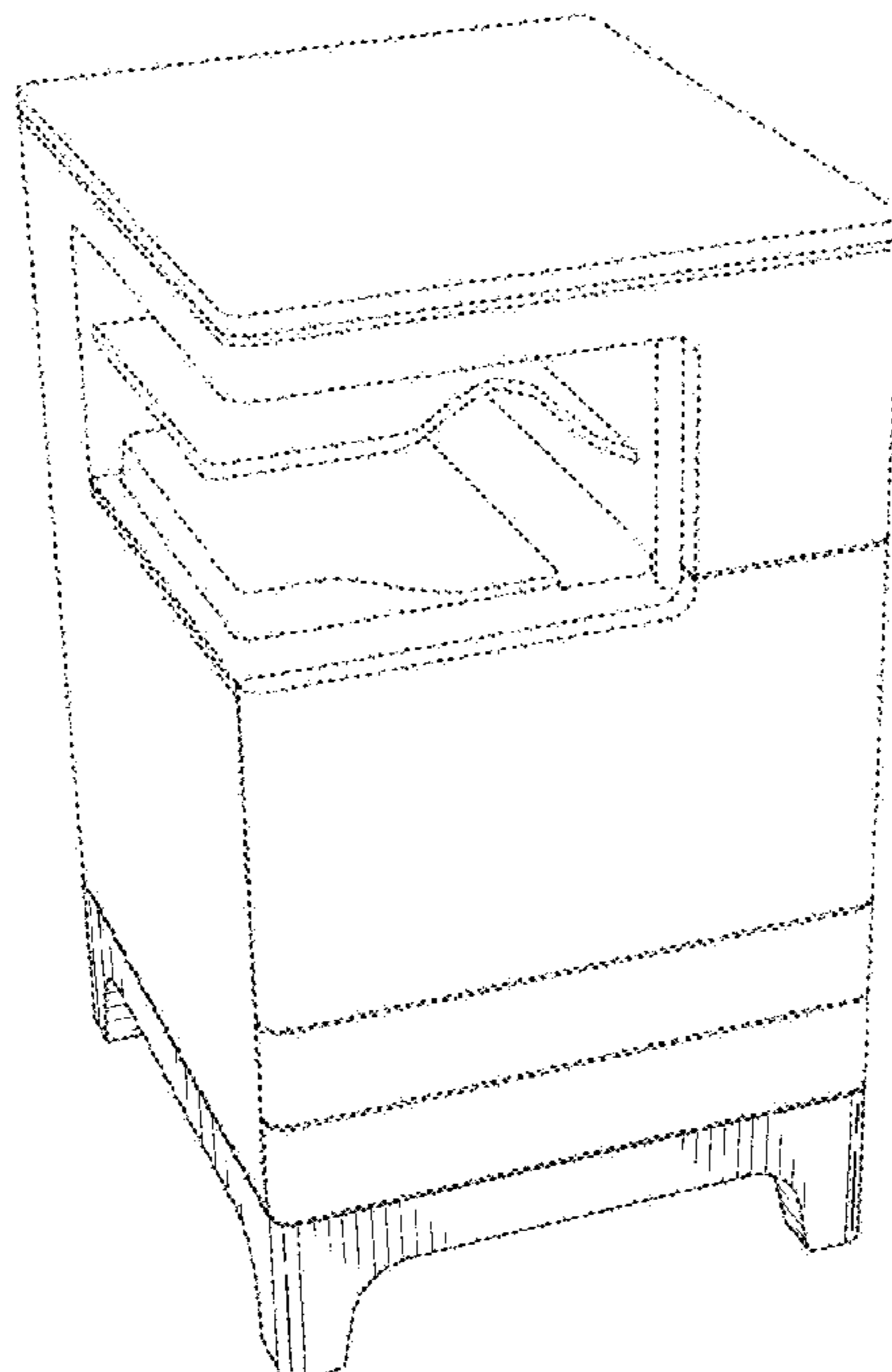
FIG. 6 is a bottom plan view thereof;

FIG. 7 is a right side elevational view thereof; and,

FIG. 8 is a left side elevational view thereof.

The broken lines shown in the figures are for the purpose of illustrating portions of the copying machine that form no part of the claimed design.

1 Claim, 8 Drawing Sheets



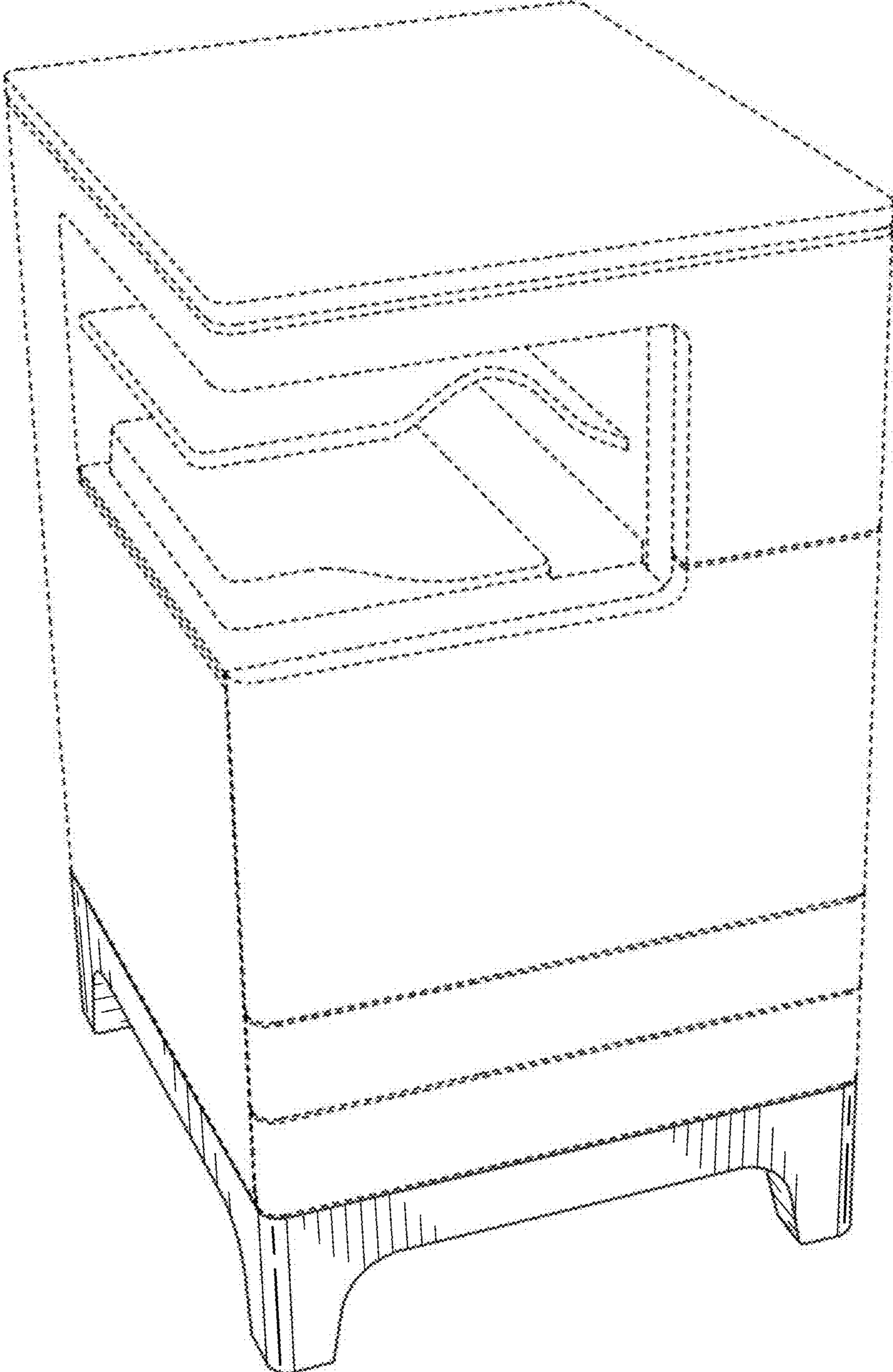


FIG. 1

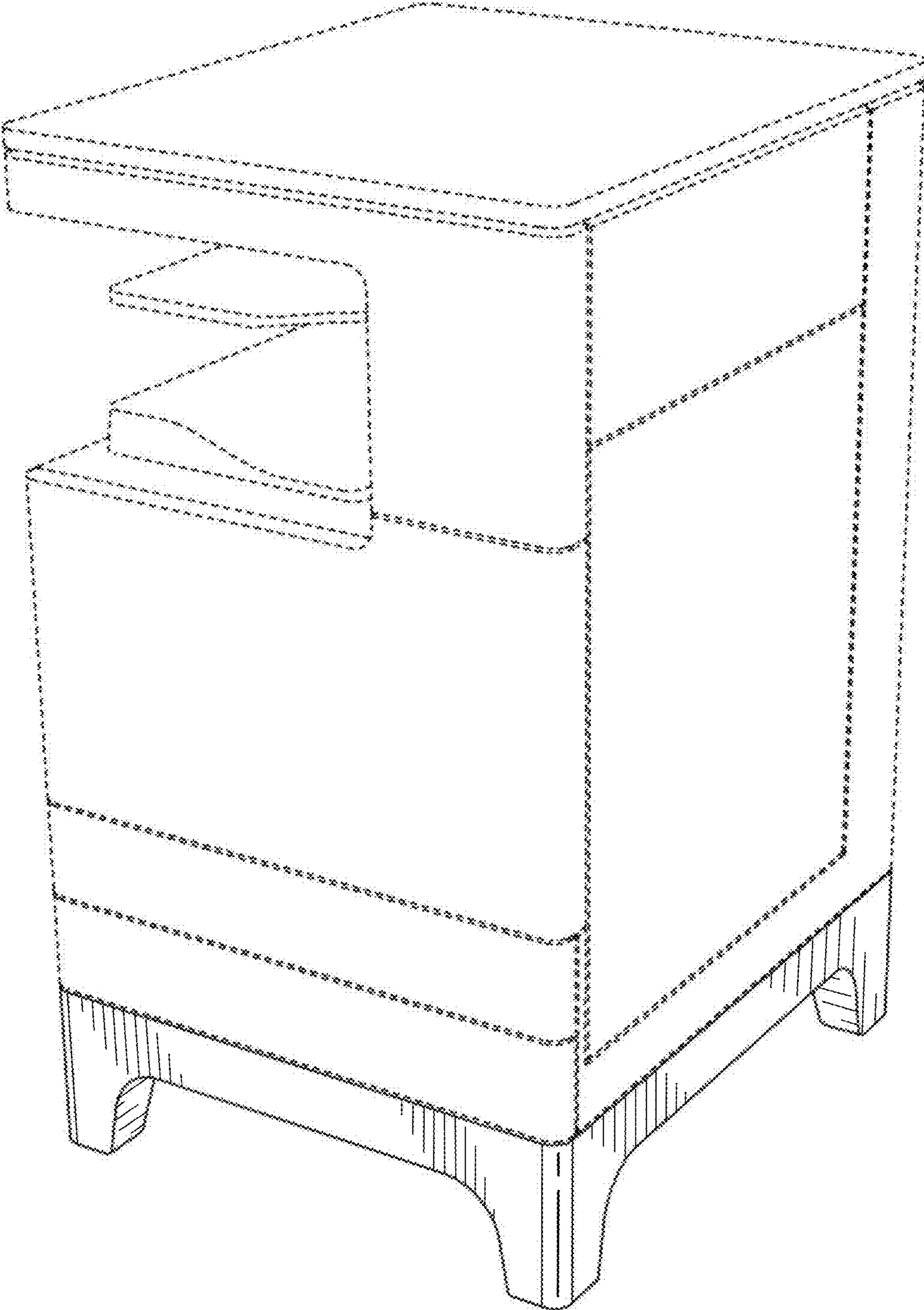


FIG. 2

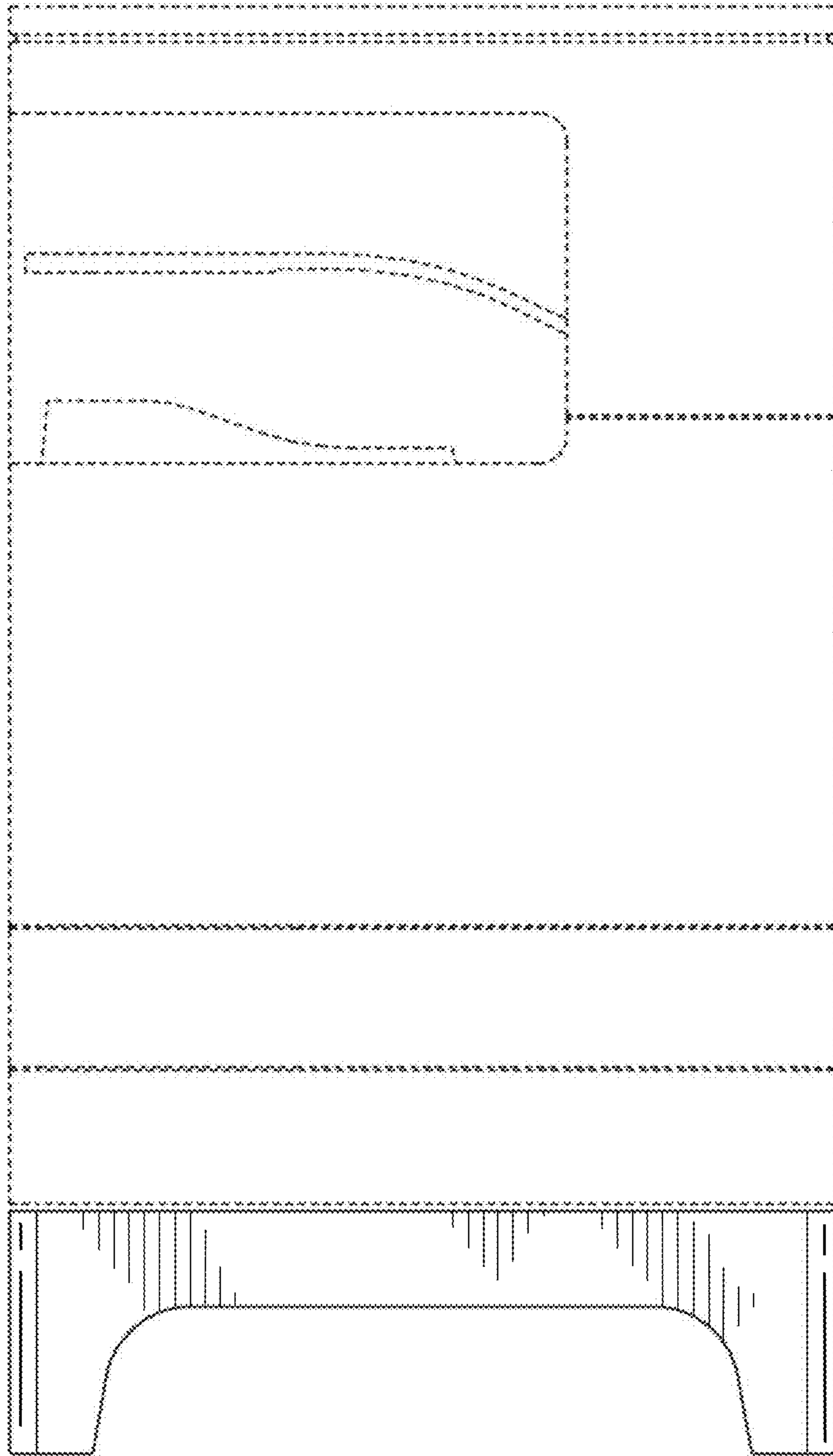


FIG. 3

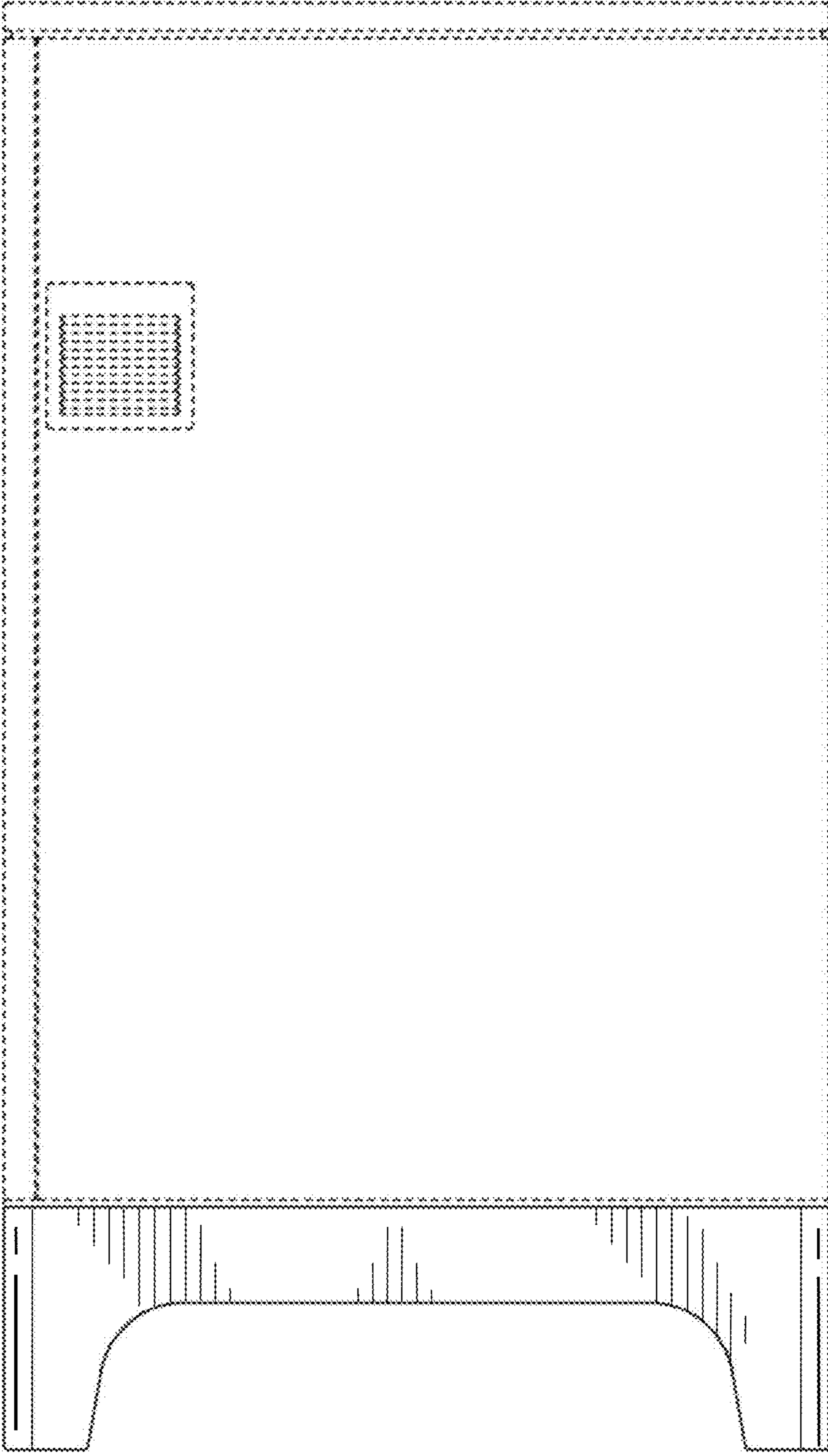


FIG. 4

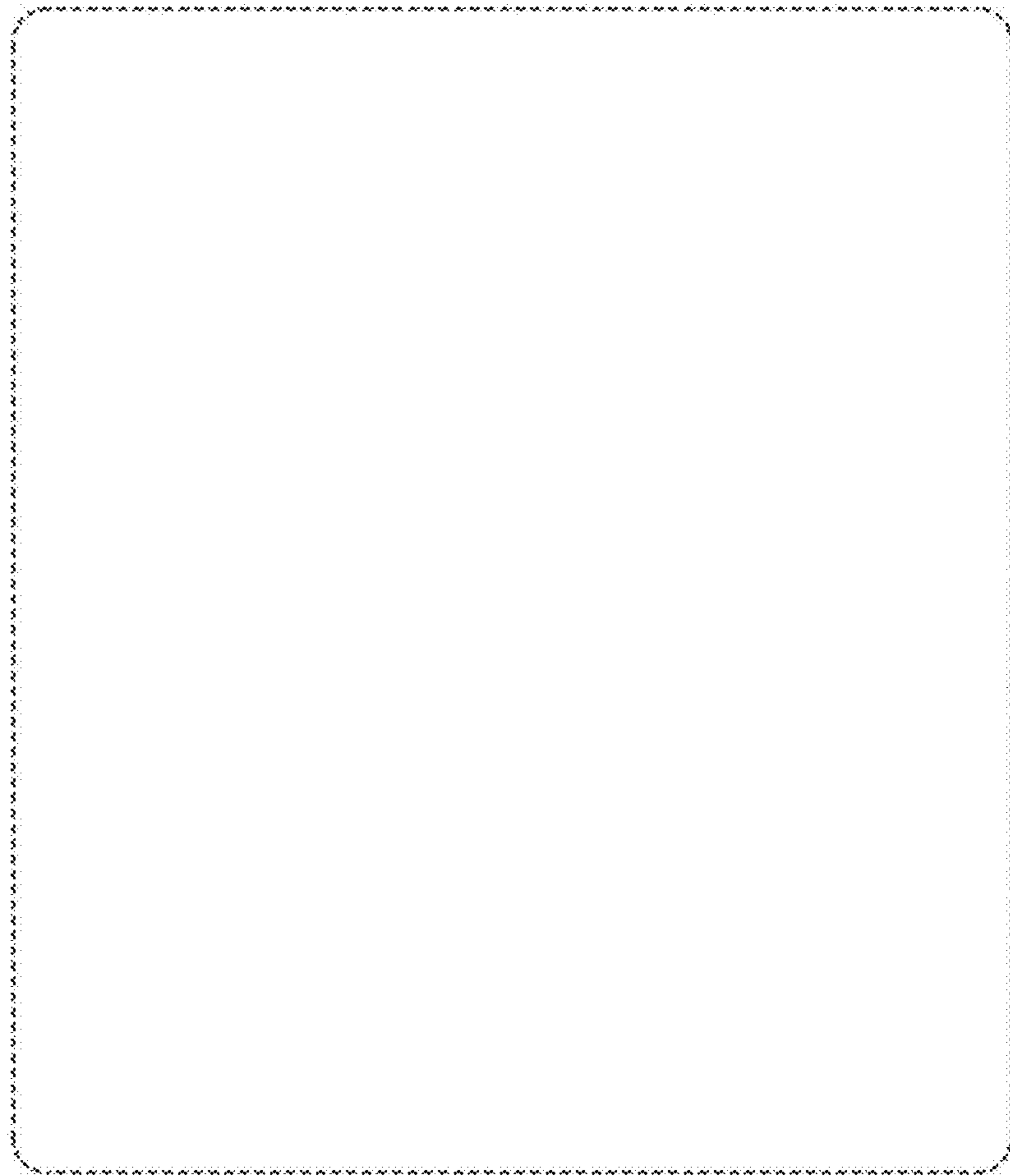


FIG. 5

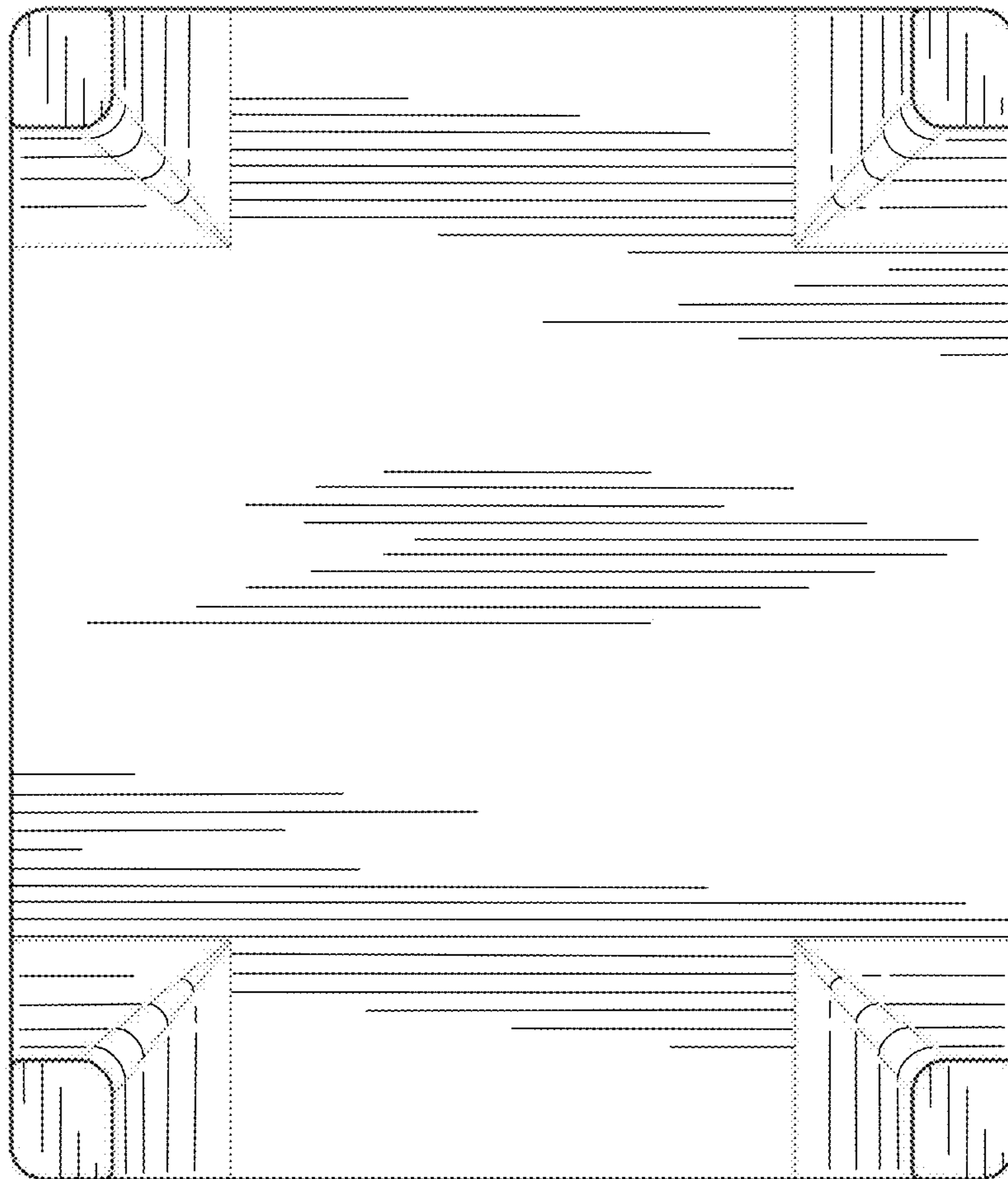


FIG. 6

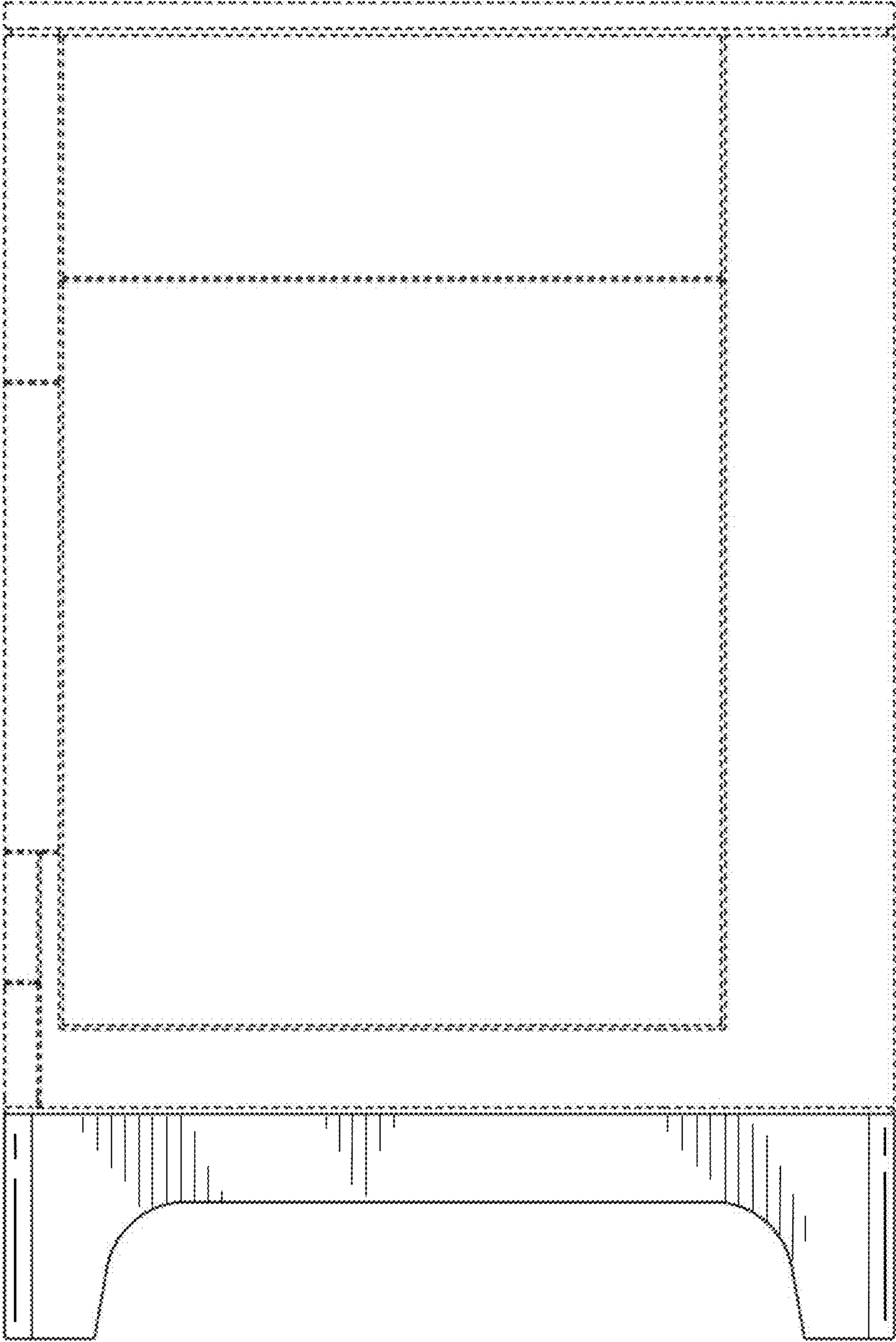


FIG. 7

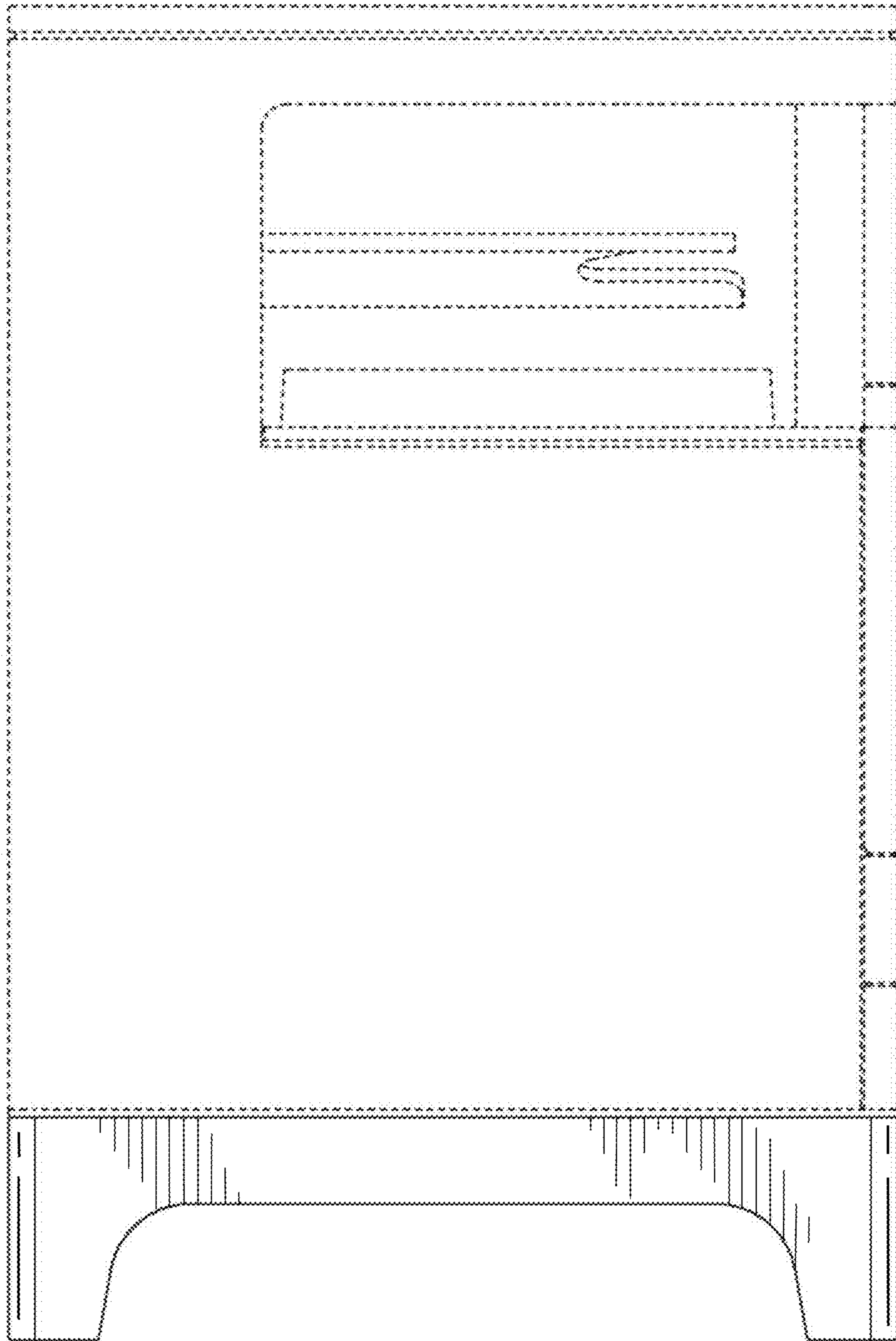


FIG. 8