



US00D870806S

(12) **United States Design Patent**
Ozawa et al.

(10) **Patent No.:** **US D870,806 S**

(45) **Date of Patent:** **** Dec. 24, 2019**

(54) **LABEL PRINTERS**

(71) Applicant: **SATO HOLDINGS KABUSHIKI**
KAISHA, Tokyo (JP)

(72) Inventors: **Taichi Ozawa**, Tokyo (JP); **Yasuyuki**
Kakui, Tokyo (JP)

(73) Assignee: **SATO HOLDINGS KABUSHIKI**
KAISHA, Tokyo (JP)

(**) Term: **15 Years**

(21) Appl. No.: **35/505,167**

(22) Filed: **Dec. 21, 2017**

(80) **Hague Agreement Data**

Int. Filing Date: **Dec. 21, 2017**

Int. Reg. No.: **DM/099115**

Int. Reg. Date: **Dec. 21, 2017**

Int. Reg. Pub. Date: **Jun. 22, 2018**

(30) **Foreign Application Priority Data**

Jun. 27, 2017 (JP) 2017-013799

Jun. 27, 2017 (JP) 2017-013800

Jun. 27, 2017 (JP) 2017-013801

(51) **LOC (12) Cl.** **18-99**

(52) **U.S. Cl.**

USPC **D18/19; D18/50**

CPC **B41J 15/042 (2013.01)**

(58) **Field of Classification Search**

USPC D18/14-21, 50-59; D19/65

CPC B41J 15/048; B41J 15/042; B41J 2202/34

See application file for complete search history.

(56) **References Cited**

U.S. PATENT DOCUMENTS

D333,316 S * 2/1993 Ishizawa D18/55

D377,045 S * 12/1996 Chida D18/50

D443,890 S *	6/2001	Sato	D18/50
D478,116 S *	8/2003	Nakaeda	D18/19
D526,349 S *	8/2006	Granaas	D18/54
D527,043 S *	8/2006	Borne	D18/19
D542,337 S *	5/2007	Nakata	D18/19
D589,086 S *	3/2009	Nakata	D18/19
D663,767 S *	7/2012	Inada	D18/19
D701,898 S *	4/2014	Nakata	D18/19
D752,137 S *	3/2016	Mita	D18/19
D752,140 S *	3/2016	Tanaka	D18/19
D777,249 S *	1/2017	Tanaka	D18/19
D812,132 S *	3/2018	Ozawa	D18/19
D812,678 S *	3/2018	Ozawa	D18/19
D813,296 S *	3/2018	Nakaeda	D18/50
D822,098 S *	7/2018	Maeda	D18/19
D822,758 S *	7/2018	Maeda	D18/19
D823,937 S *	7/2018	Ishida	D18/40
D838,770 S *	1/2019	Sato	D18/19
D857,092 S *	8/2019	Michie	D18/19
D858,627 S *	9/2019	Campanini	D18/50
D861,065 S *	9/2019	Chih	D18/19
D862,588 S *	10/2019	Huang	D18/50

* cited by examiner

Primary Examiner — Richard E Chilcot

(74) *Attorney, Agent, or Firm* — Andrew F. Young, Esq.;
Lackebach Siegel, LLP

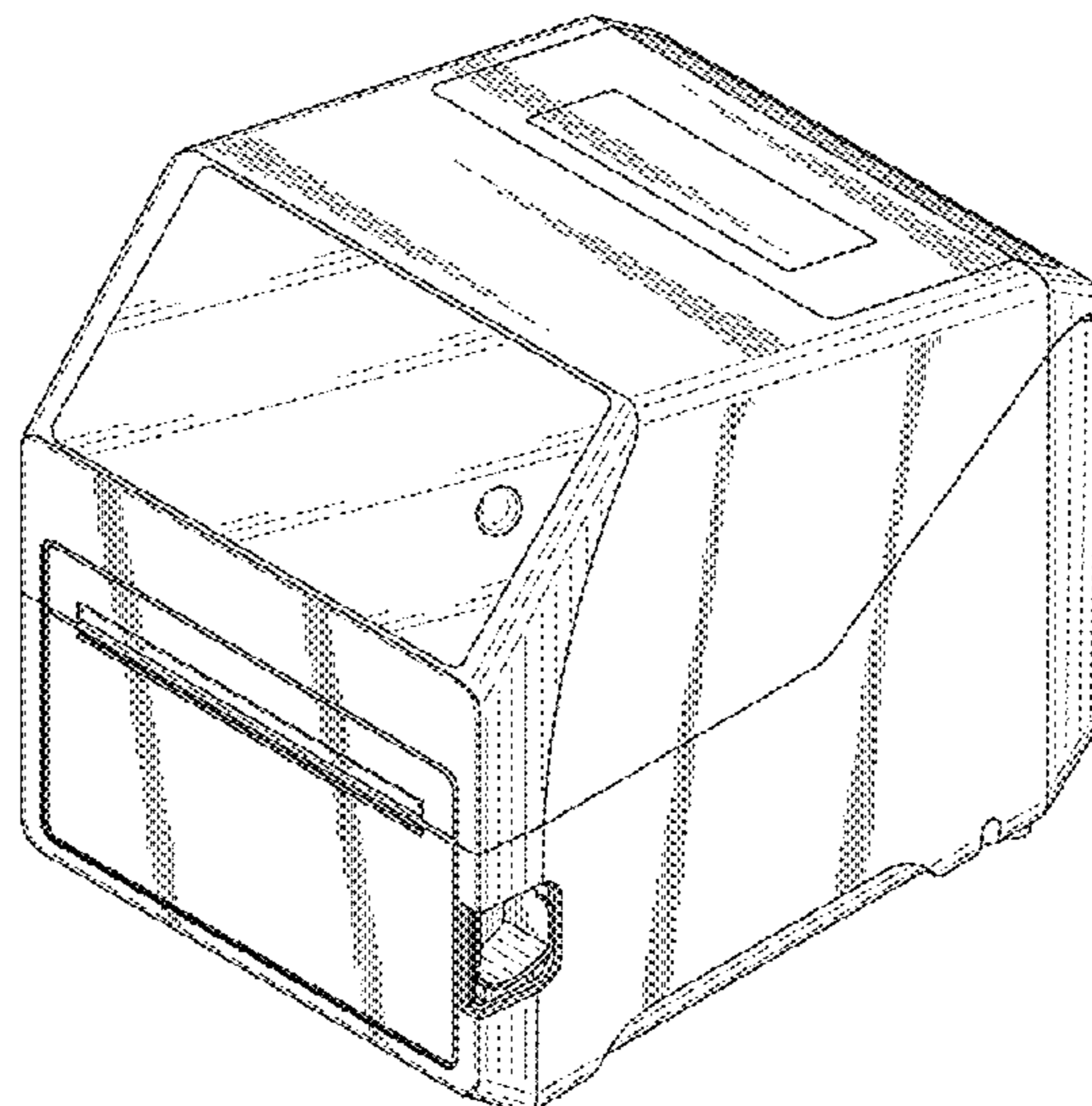
(57) **CLAIM**

The ornamental design for a label printer, as shown and described.

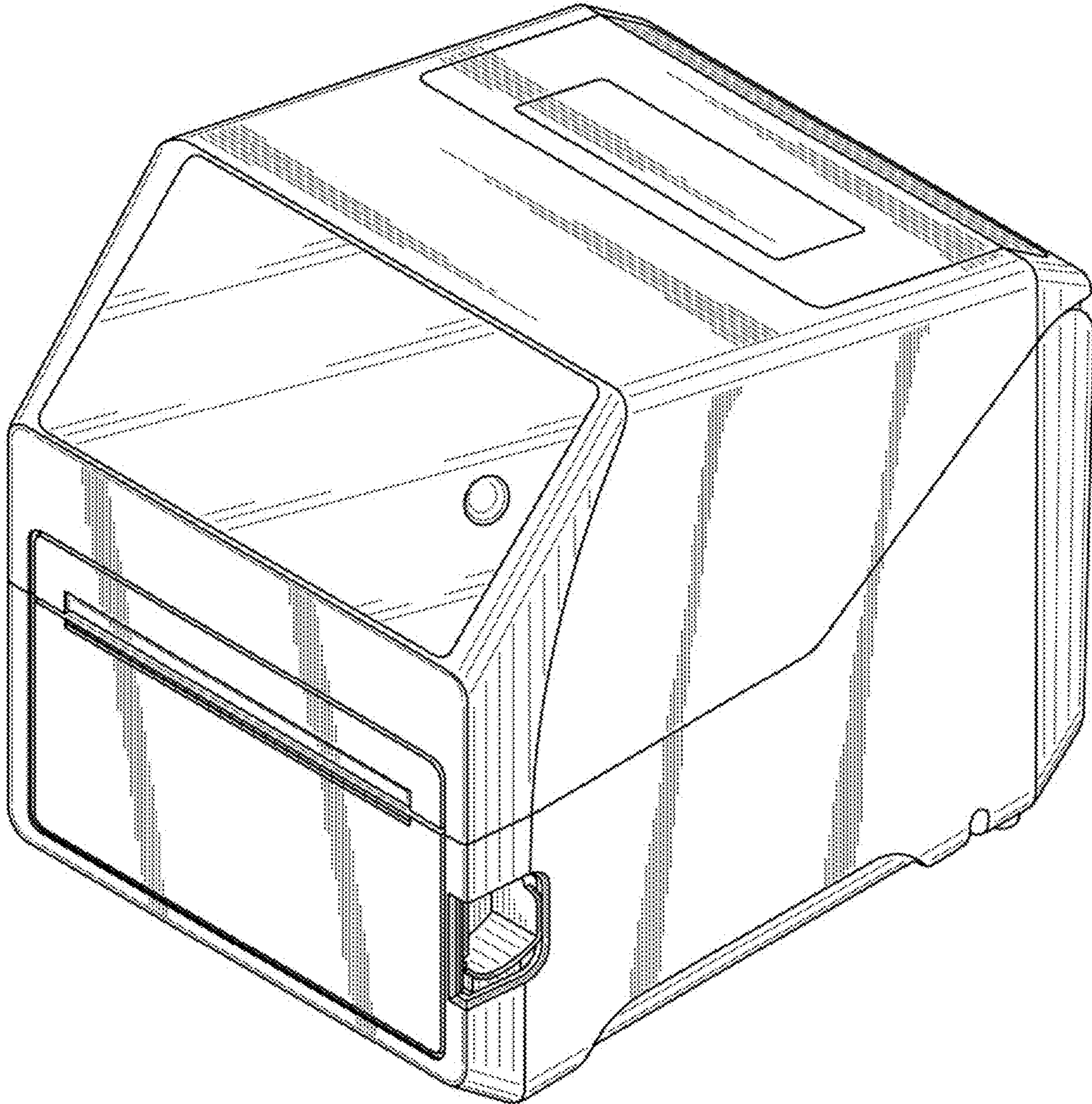
DESCRIPTION

- 1. Label printers
- 1.1 : Perspective
- 1.2 : Perspective
- 1.3 : Front
- 1.4 : Back
- 1.5 : Top
- 1.6 : Right
- 1.7 : Left
- 1.8 : Bottom

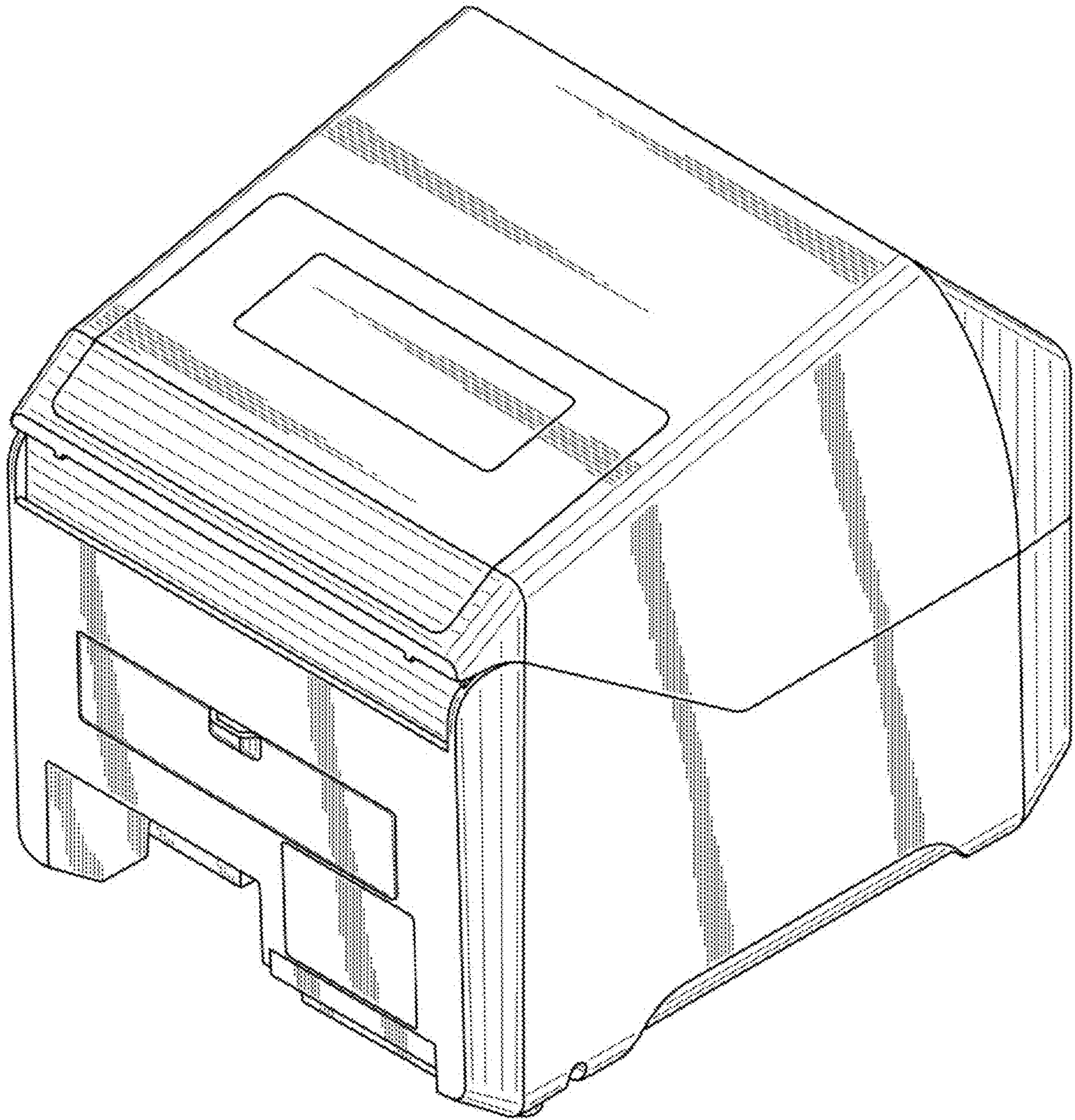
1 Claim, 8 Drawing Sheets



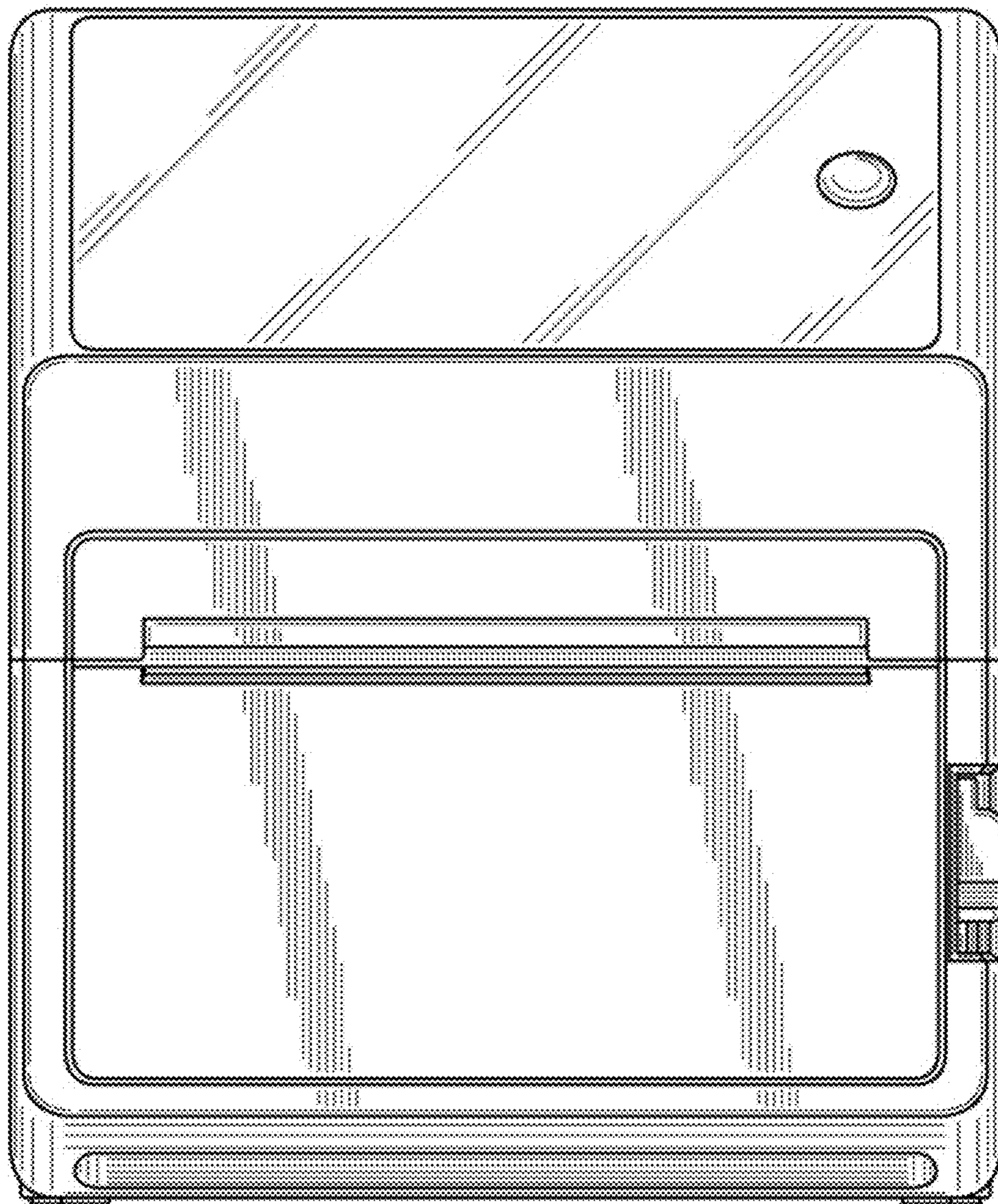
1.1



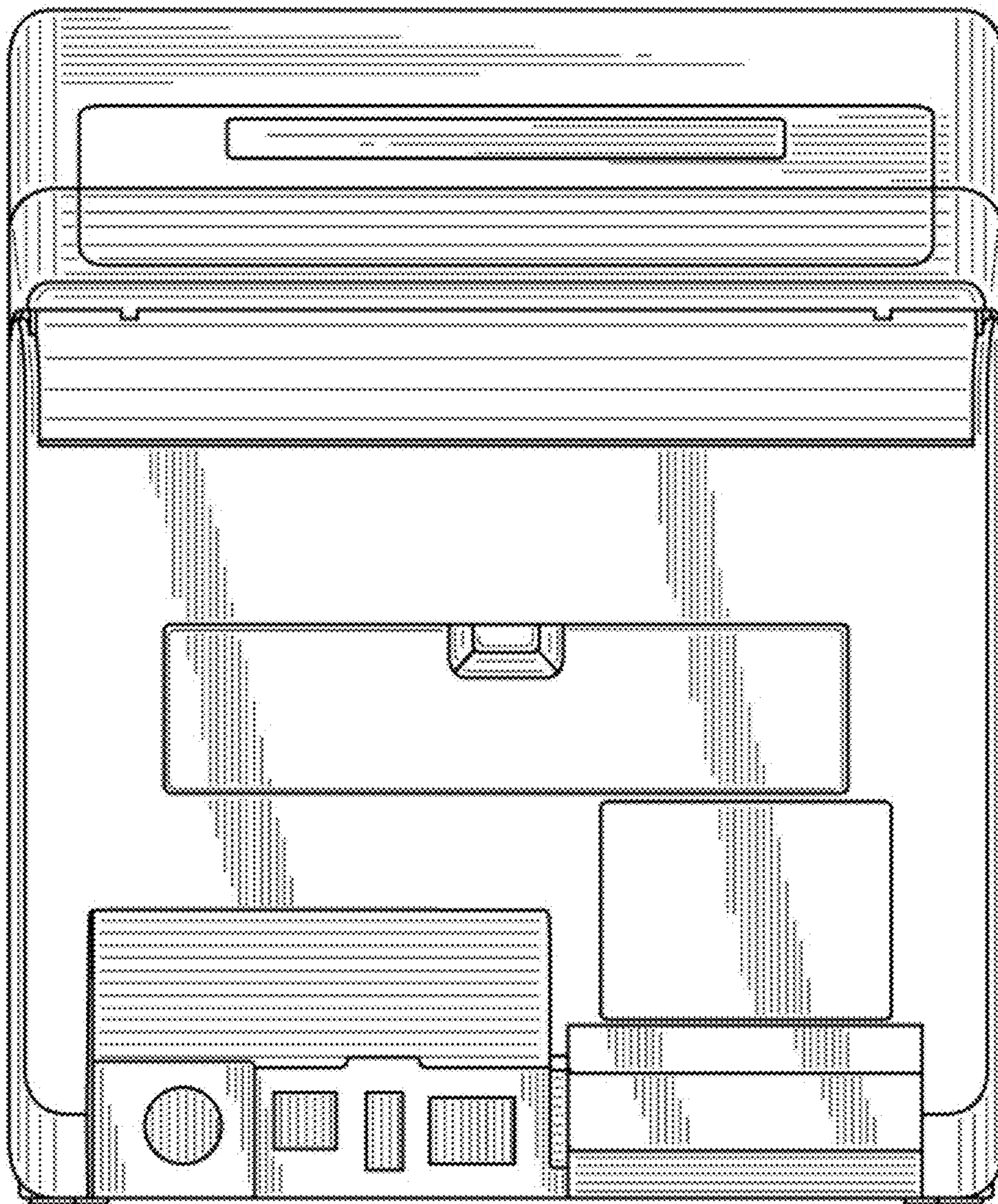
1.2



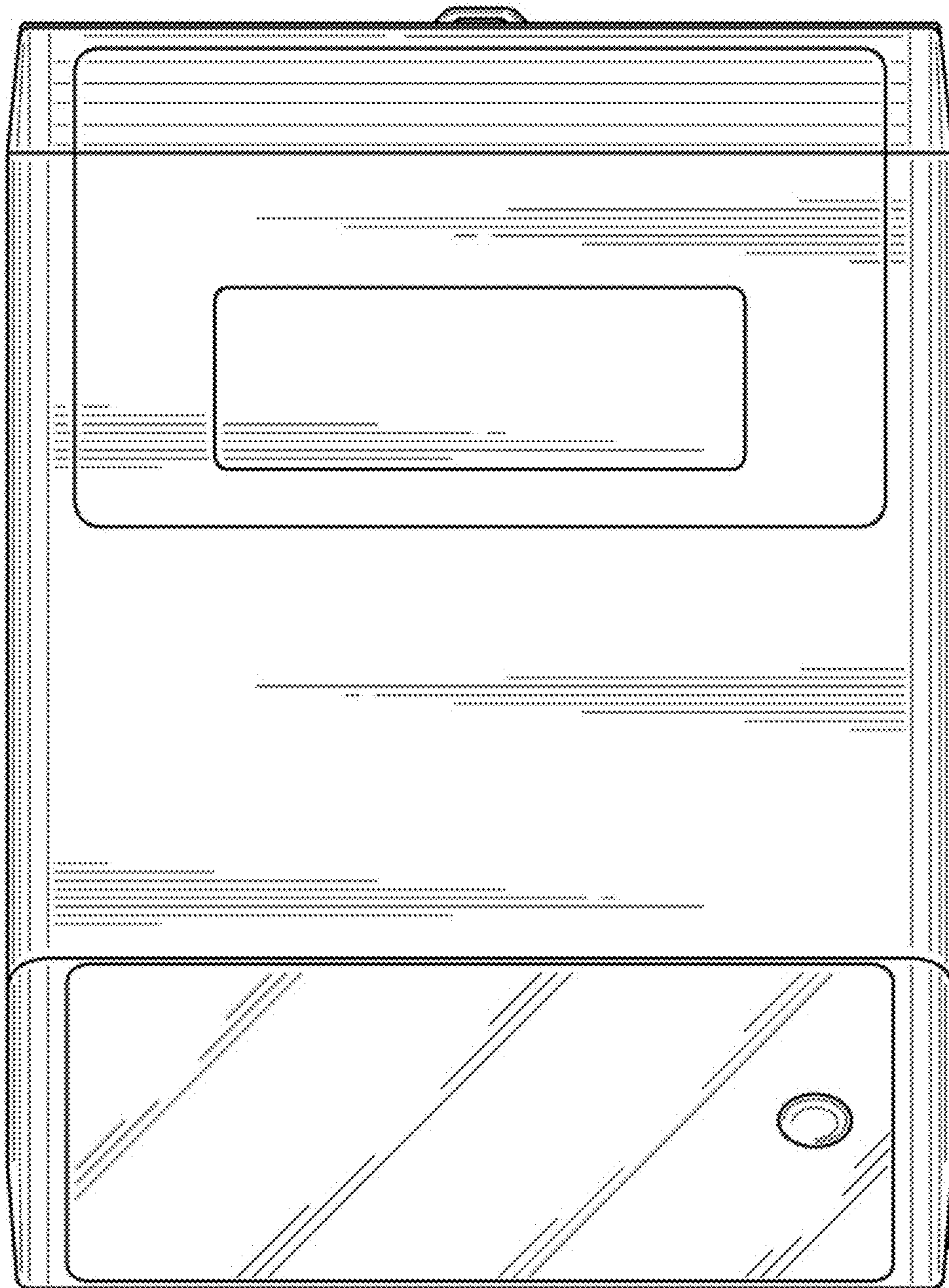
1.3



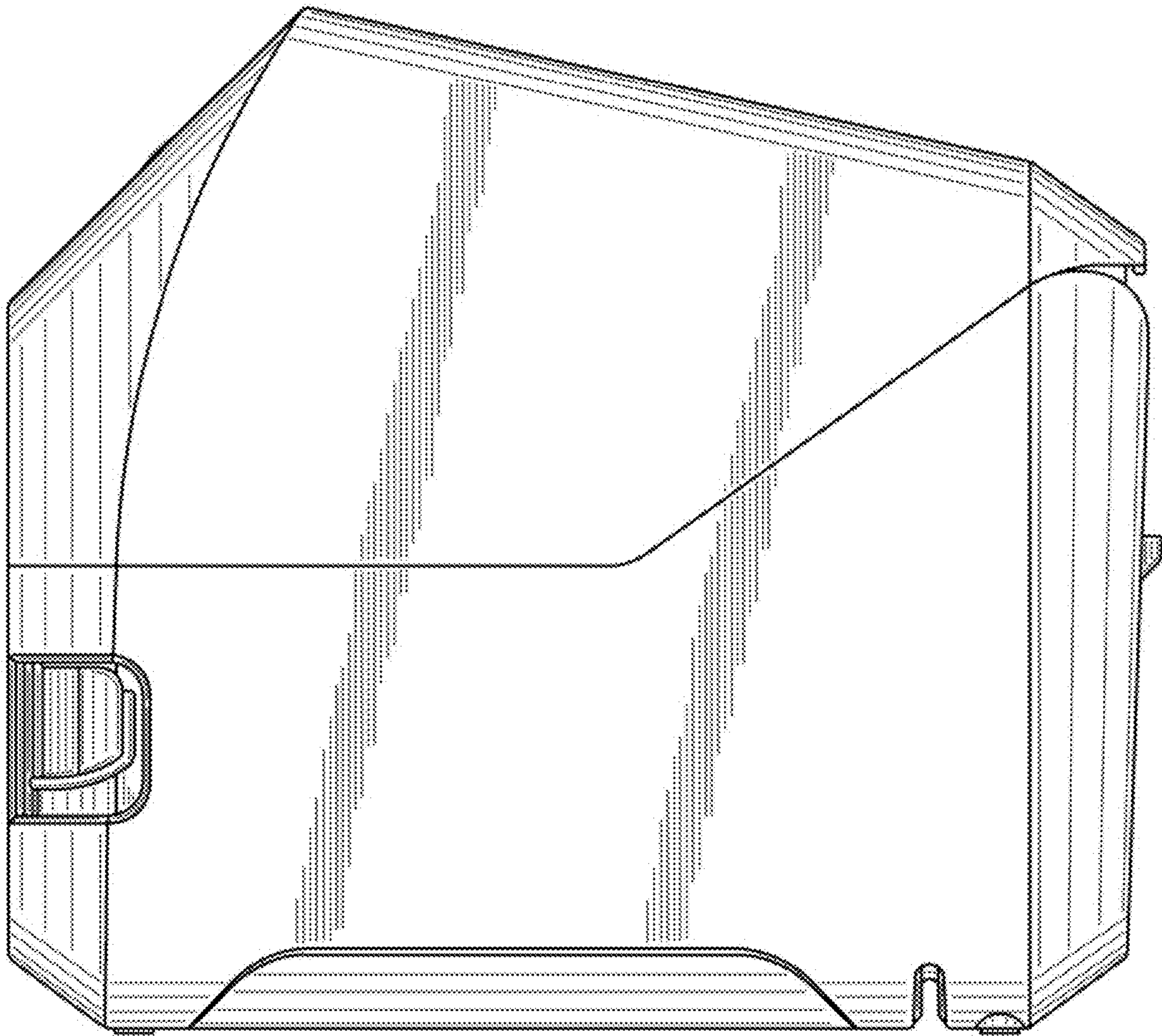
1.4



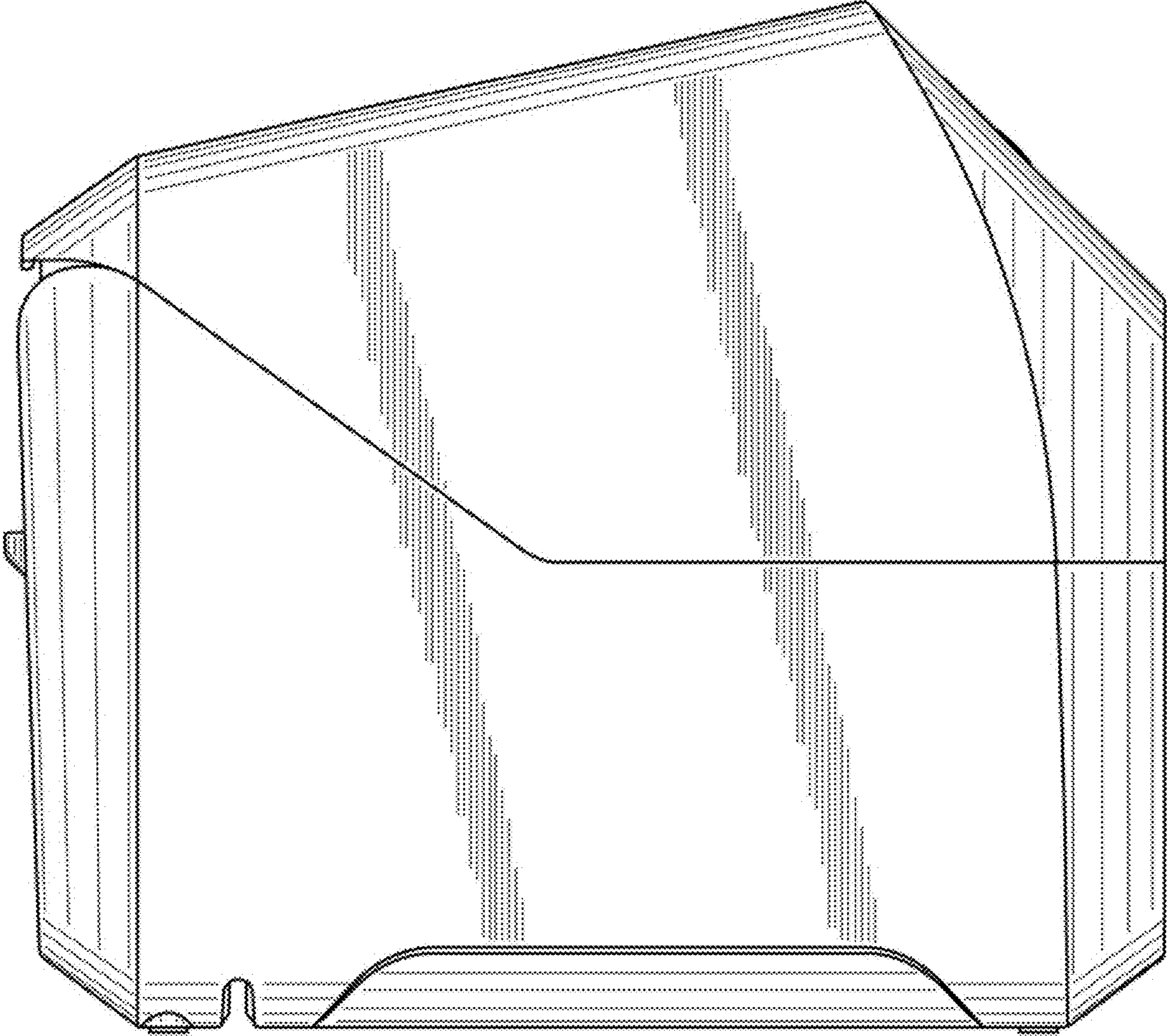
1.5



1.6



1.7



1.8

