



US00D870804S

(12) **United States Design Patent**  
**Graham**

(10) **Patent No.:** **US D870,804 S**

(45) **Date of Patent:** **\*\* Dec. 24, 2019**

(54) **ELECTRONIC DEVICE FOR MUSICAL INSTRUMENT**

(71) Applicant: **Roger William Graham**, Santa Barbara, CA (US)

(72) Inventor: **Roger William Graham**, Santa Barbara, CA (US)

(\*\*) Term: **15 Years**

(21) Appl. No.: **29/688,394**

(22) Filed: **Apr. 21, 2019**

**Related U.S. Application Data**

(62) Division of application No. 29/601,482, filed on Apr. 22, 2017, now Pat. No. Des. 852,267, which is a division of application No. 29/524,710, filed on Apr. 22, 2015, now Pat. No. Des. 791,859.

(51) **LOC (12) Cl.** ..... **17-99**

(52) **U.S. Cl.**  
USPC ..... **D17/99**

(58) **Field of Classification Search**  
USPC ..... D17/20, 99; D14/217  
CPC ..... G10H 1/32; G10H 1/46; G06F 17/00  
See application file for complete search history.

(56) **References Cited**

**U.S. PATENT DOCUMENTS**

D235,779	S	†	7/1975	Barr	.....	D10/46
D236,212	S	†	8/1975	Beigel et al.	.....	D14/188
D244,215	S	†	5/1977	Ross	.....	D14/217
D295,025	S	*	4/1988	Vaught	.....	D10/102
5,022,305	A	†	6/1991	Butler	.....	G10H 1/16 330/123
D368,270	S	*	3/1996	Jue	.....	D10/75
D420,353	S	*	2/2000	Amai	.....	D14/188
D421,621	S	†	3/2000	Cooper	.....	84/454

D518,086	S	†	3/2006	Ito	.....	D17/99
D630,616	S	†	1/2011	Vex	.....	D14/217
D682,346	S	†	5/2013	Bogdan	.....	D17/20
8,525,015	B2	†	9/2013	Armstrong	.....	G10H 1/348 381/118
D735,146	S	*	7/2015	Sawada	.....	D13/167
D752,130	S	†	3/2016	Alstad	.....	D17/20
D761,349	S	*	7/2016	Fisher	.....	D17/20
D782,566	S	*	3/2017	Faoro	.....	D13/167
9,620,094	B2	*	4/2017	Abbate	.....	G10H 1/32
9,633,640	B1	*	4/2017	Lee	.....	G10H 1/348
D791,859	S	†	7/2017	Graham	.....	D17/99
D817,386	S	*	5/2018	Graham	.....	D17/99
D826,935	S	*	8/2018	Son	.....	D14/358
D826,938	S	*	8/2018	Son	.....	D14/388
D831,003	S	*	10/2018	Suzuki	.....	D14/217
D832,822	S	*	11/2018	Cho	.....	D14/217
10,127,899	B2	*	11/2018	Perez	.....	G10H 1/0058
10,151,464	B2	*	12/2018	Ahern	.....	F21V 21/30
D846,527	S	*	4/2019	Lamb	.....	D14/217
D852,267	S	*	6/2019	Graham	.....	D17/99

(Continued)

*Primary Examiner* — Karen S Acker

*Assistant Examiner* — Steven B Reinholdt, Jr.

(74) *Attorney, Agent, or Firm* — Roger W. Graham

(57) **CLAIM**

The ornamental design for an electronic device for musical instrument, as shown and described.

**DESCRIPTION**

FIG. 1 is a top view of the electronic device for musical instrument illustrating my new ornamental design;

FIG. 2 is a left side view thereof;

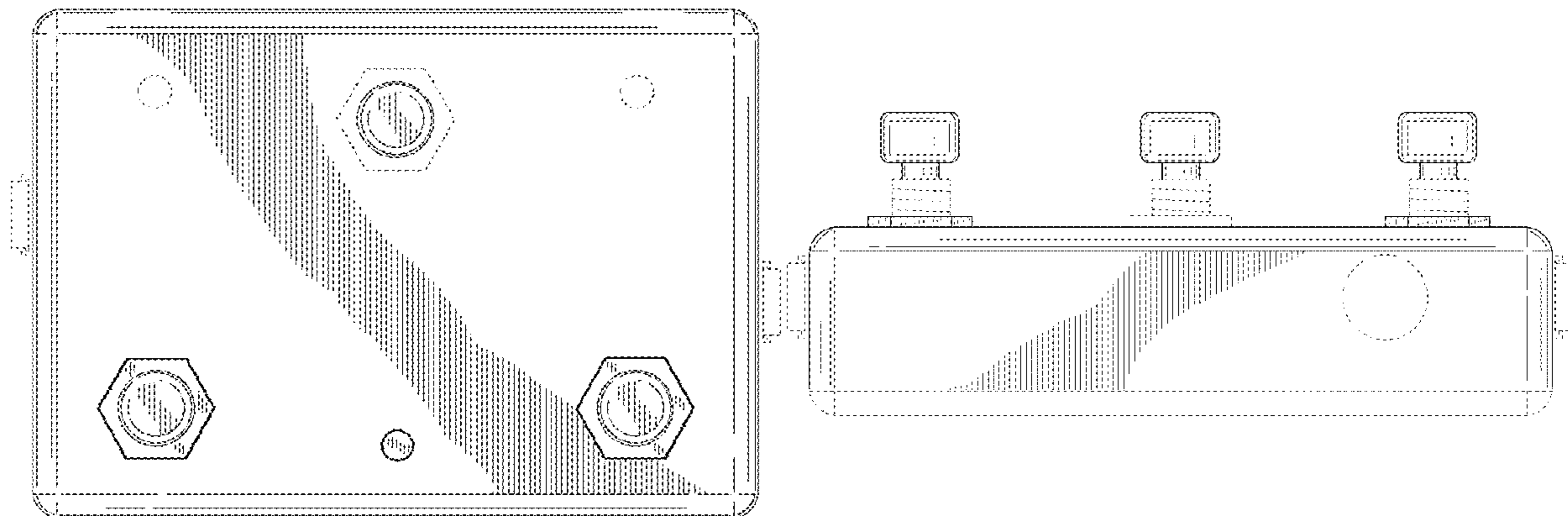
FIG. 3 is a right side view thereof;

FIG. 4 is a front view thereof; and,

FIG. 5 is a rear view thereof.

The broken lines in the figures show portions of the electronic device for musical instrument that form no part of the claimed design.

**1 Claim, 3 Drawing Sheets**



(56)

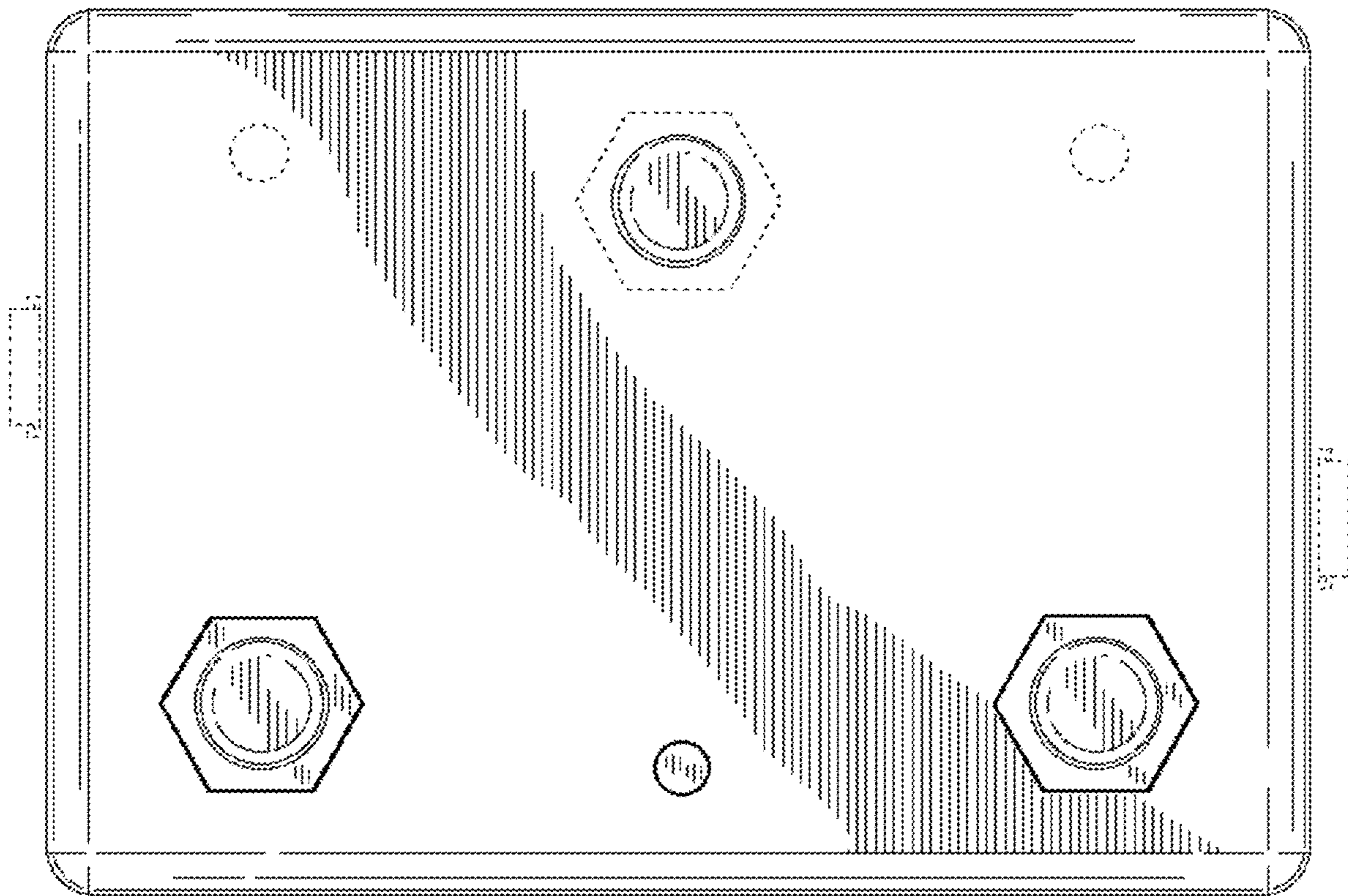
**References Cited**

U.S. PATENT DOCUMENTS

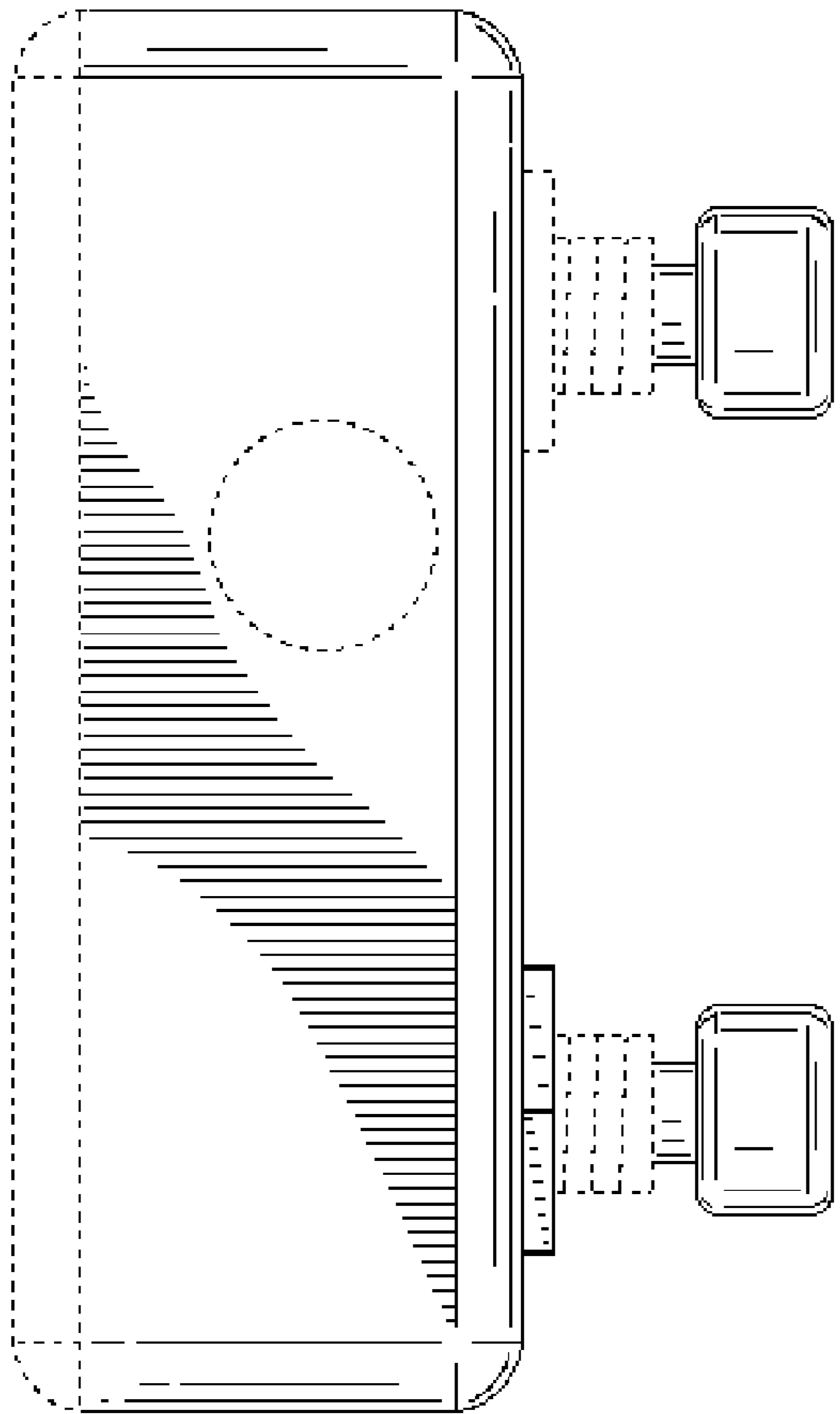
2008/0173164 A1 \* 7/2008 Francis ..... G10H 3/187  
84/721  
2012/0297963 A1 ‡ 11/2012 Armstrong ..... G10H 1/0091  
84/746  
2014/0205113 A1 ‡ 7/2014 Slipp ..... G10H 7/008  
381/119

\* cited by examiner

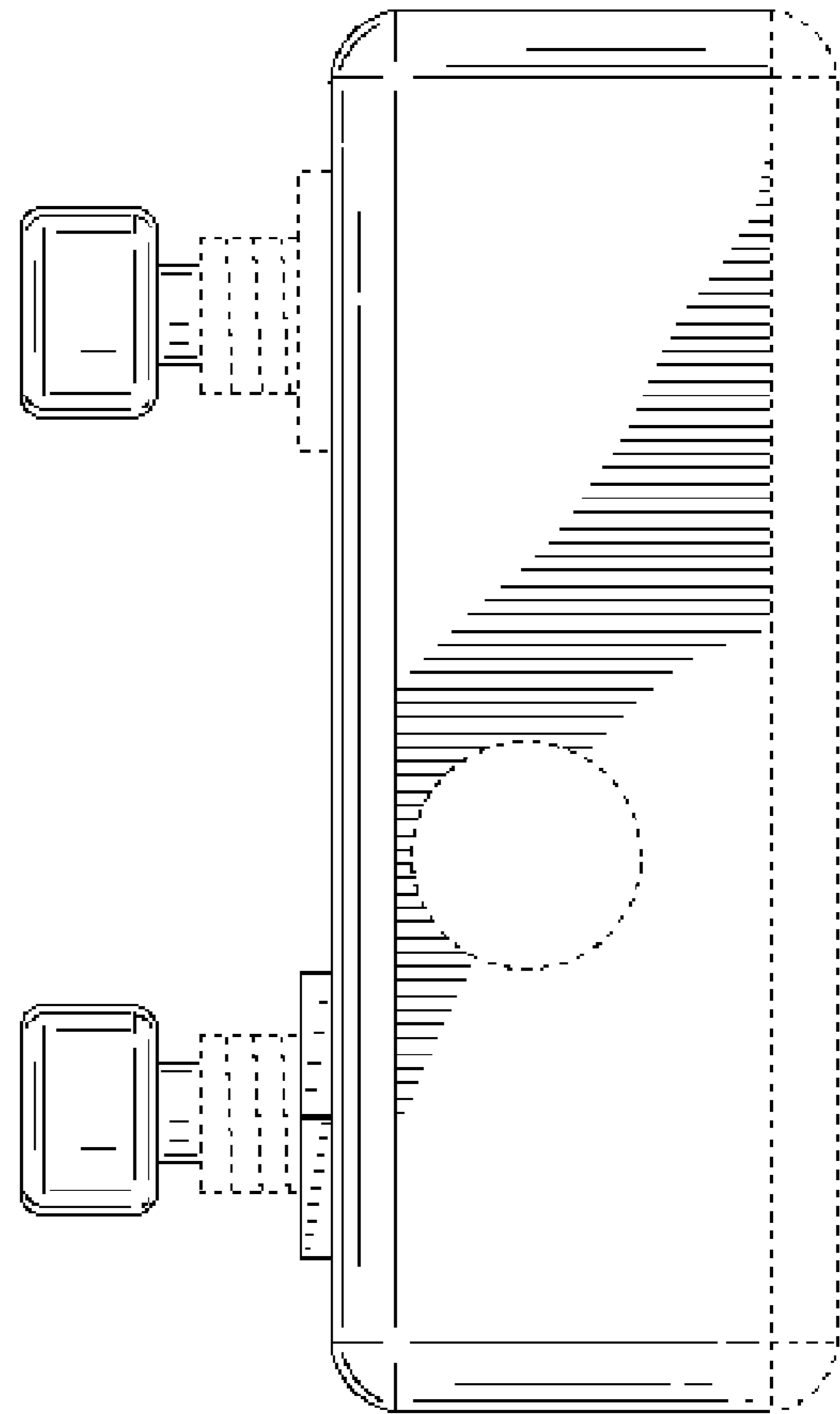
‡ imported from a related application



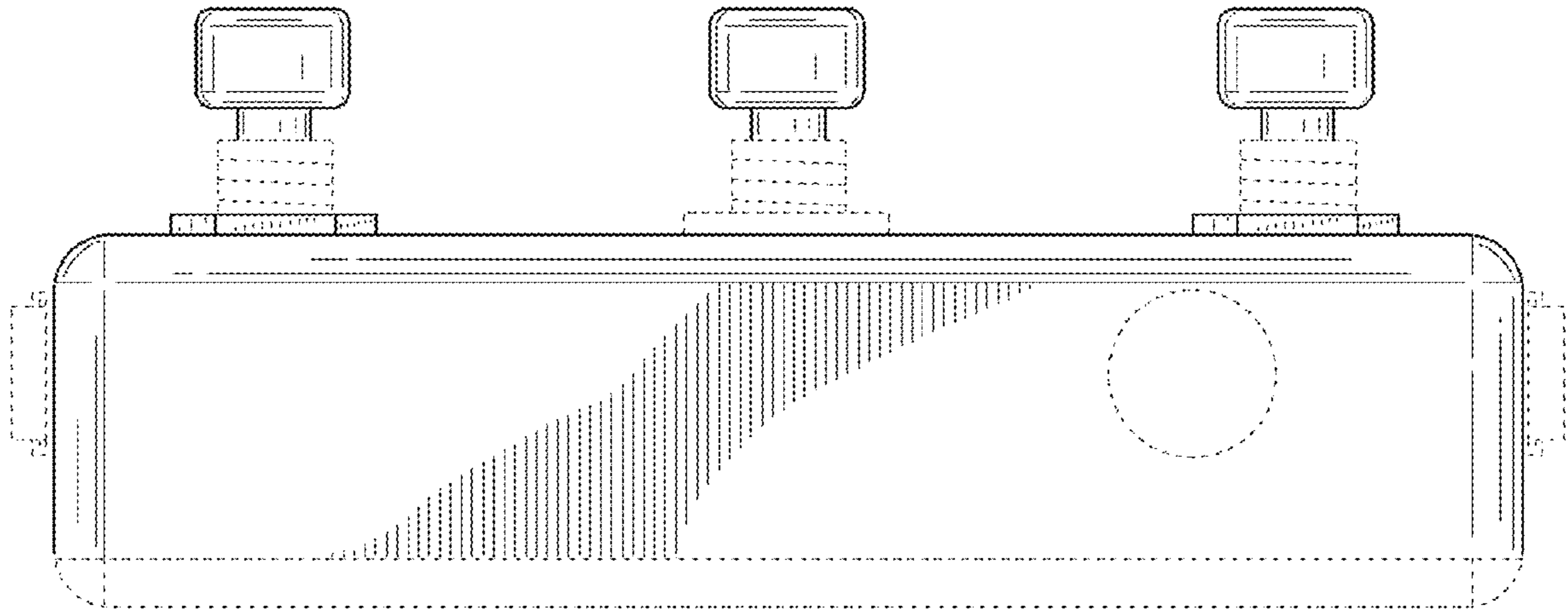
**Fig. 1**



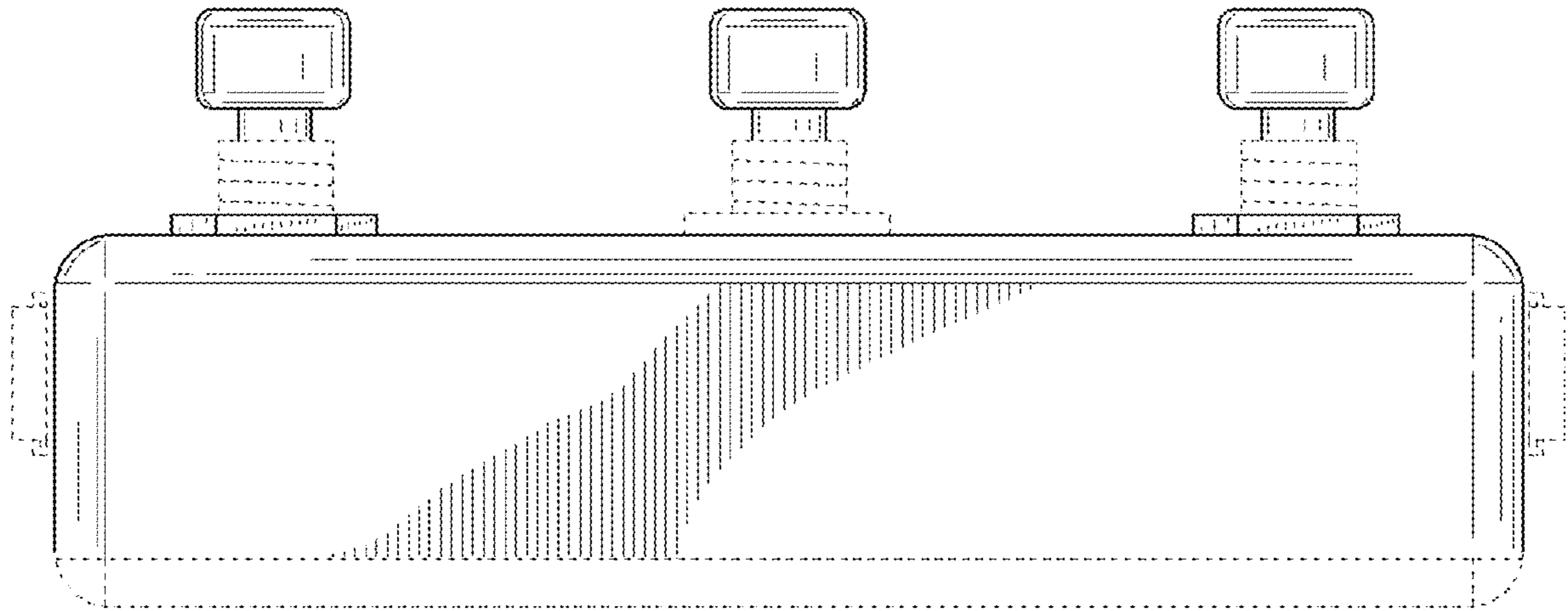
**Fig. 2**



**Fig. 3**



**Fig. 4**



**Fig. 5**