

US00D870801S

(12) **United States Design Patent** (10) **Patent No.:** **US D870,801 S**  
**Hutt** (45) **Date of Patent:** **\*\* Dec. 24, 2019**

(54) **PHOTOGRAPHIC ENLARGER HEAD**

(71) Applicant: **Charles Beseler Company**,  
Stroudsburg, PA (US)  
(72) Inventor: **Marvin Hutt**, Wayne, NJ (US)  
(73) Assignee: **Charles Beseler Company**,  
Stroudsburg, PA (US)  
(\*\*) Term: **15 Years**

(21) Appl. No.: **29/660,705**  
(22) Filed: **Aug. 22, 2018**  
(51) **LOC (12) Cl.** ..... **16-05**  
(52) **U.S. Cl.**  
USPC ..... **D16/248**  
(58) **Field of Classification Search**  
USPC ..... D16/219, 237-250; D8/354, 355, 363,  
D8/373, 382-383, 394-396; D14/224,  
D14/229, 238, 251, 447, 451, 457, 137,  
D14/155, 175, 188, 302, 308, 314, 348,  
D14/356-358, 472  
CPC ..... A45F 2200/0508-0533; A45F 5/00; A45F  
5/10; F16M 11/06-10; F16M 11/14;  
G02B 7/00-002; G03B 17/56; G03B  
17/561-568; H04N 5/2253-2254  
See application file for complete search history.

(56) **References Cited**

**U.S. PATENT DOCUMENTS**

D153,595 S *	5/1949	Florian	.....	D14/137
D243,452 S *	2/1977	Gandini	.....	D16/248
D446,208 S *	8/2001	Zachl	.....	D14/302
D518,089 S *	3/2006	Massey	.....	D16/237
D537,435 S *	2/2007	Oikawa	.....	D14/188
D609,693 S *	2/2010	Smith	.....	D14/188
D634,358 S *	3/2011	Yoshioka	.....	D18/50
D672,330 S *	12/2012	Komagamine	.....	D10/65
D689,050 S *	9/2013	Chong	.....	D14/358
D721,738 S *	1/2015	Hochman	.....	D14/496
D738,349 S *	9/2015	Kemper	.....	D14/188
D741,946 S *	10/2015	So	.....	D18/50

(Continued)

**OTHER PUBLICATIONS**

Enlarger Light Sources Beseler Photography Equipment. [online]  
Retrieved Aug. 16, 2019 from URL: <https://www.beselerphoto.com/light-sources/>.\*

*Primary Examiner* — Vy N Koenig  
(74) *Attorney, Agent, or Firm* — Volpe and Koenig, P.C.

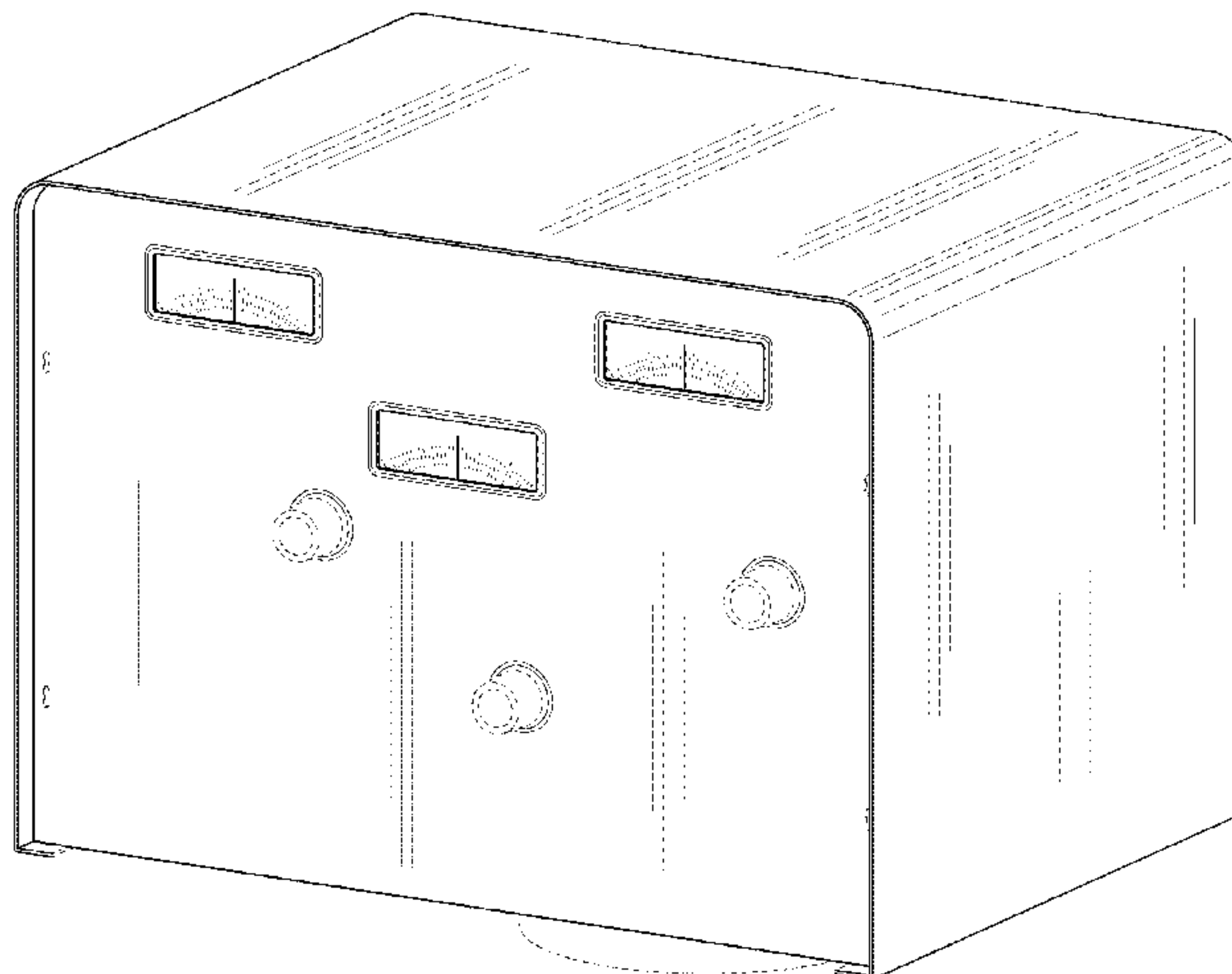
(57) **CLAIM**

The ornamental design for a photographic enlarger head, as shown and described.

**DESCRIPTION**

FIG. 1 is a top isometric view of a photographic enlarger head showing my design;  
FIG. 2 is a bottom isometric view of the photographic enlarger head of FIG. 1  
FIG. 3 is a front elevation view of the photographic enlarger head of FIG. 1;  
FIG. 4 is a rear view of the photographic enlarger head of FIG. 1;  
FIG. 5 is a left side elevation view of the photographic enlarger head of FIG. 1;  
FIG. 6 is a right side view of the photographic enlarger head of FIG. 1;  
FIG. 7 is a top plan view of photographic enlarger head of FIG. 1;  
FIG. 8 is a bottom view of the photographic enlarger head of FIG. 1; and,  
FIG. 9 is a front elevation view of the photographic enlarger head of FIG. 1, also showing the environment in which it is typically present.  
The regularly-spaced broken lines depict unclaimed subject matter that form no part of the claimed design. The dash-dot-dash broken lines depict the environmental subject matter that form no part of the claimed design.

**1 Claim, 9 Drawing Sheets**



(56)

**References Cited**

U.S. PATENT DOCUMENTS

D788,740 S \* 6/2017 DeVesto ..... D14/172  
D795,254 S \* 8/2017 Ishida ..... D14/125

\* cited by examiner

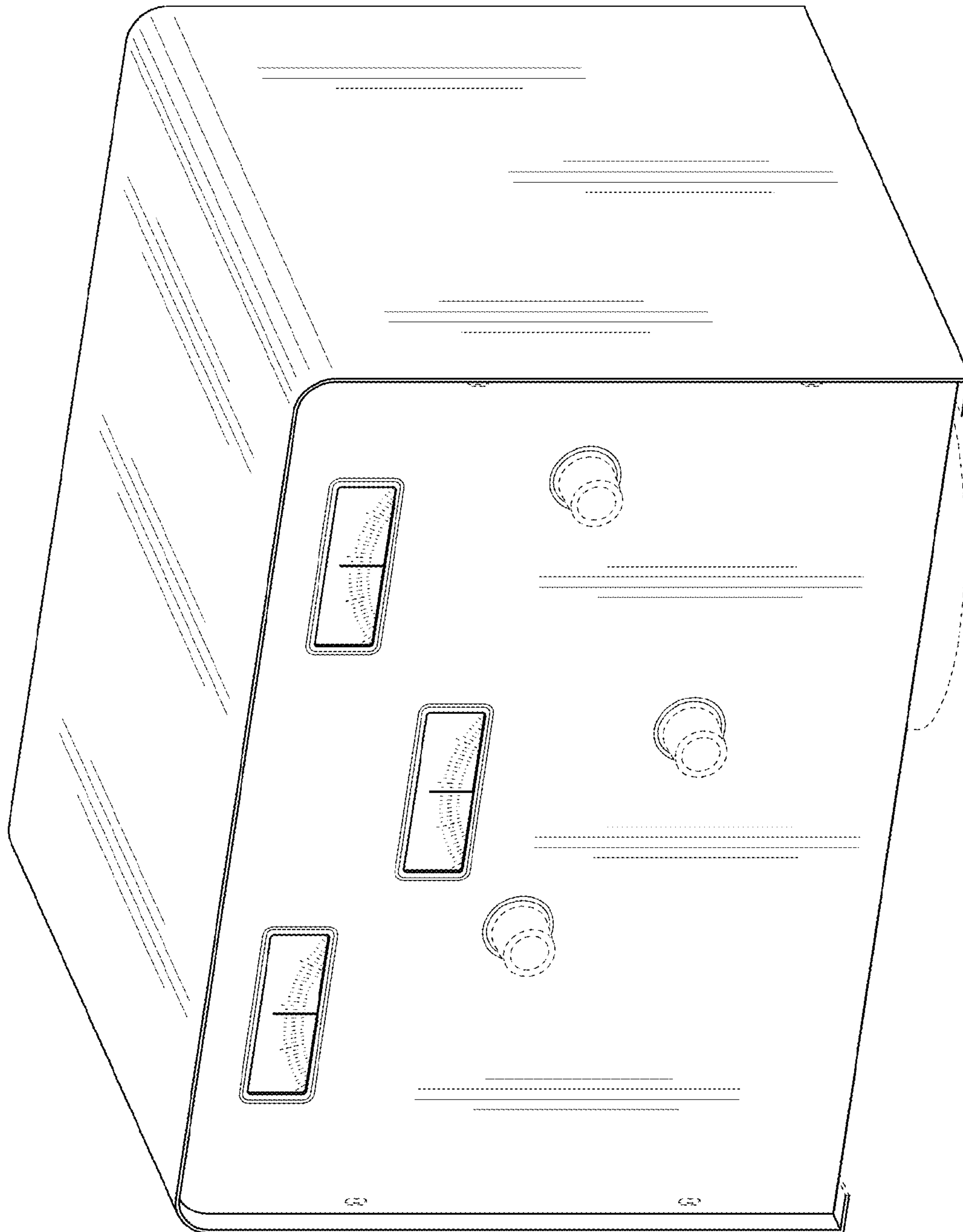


FIG. 1

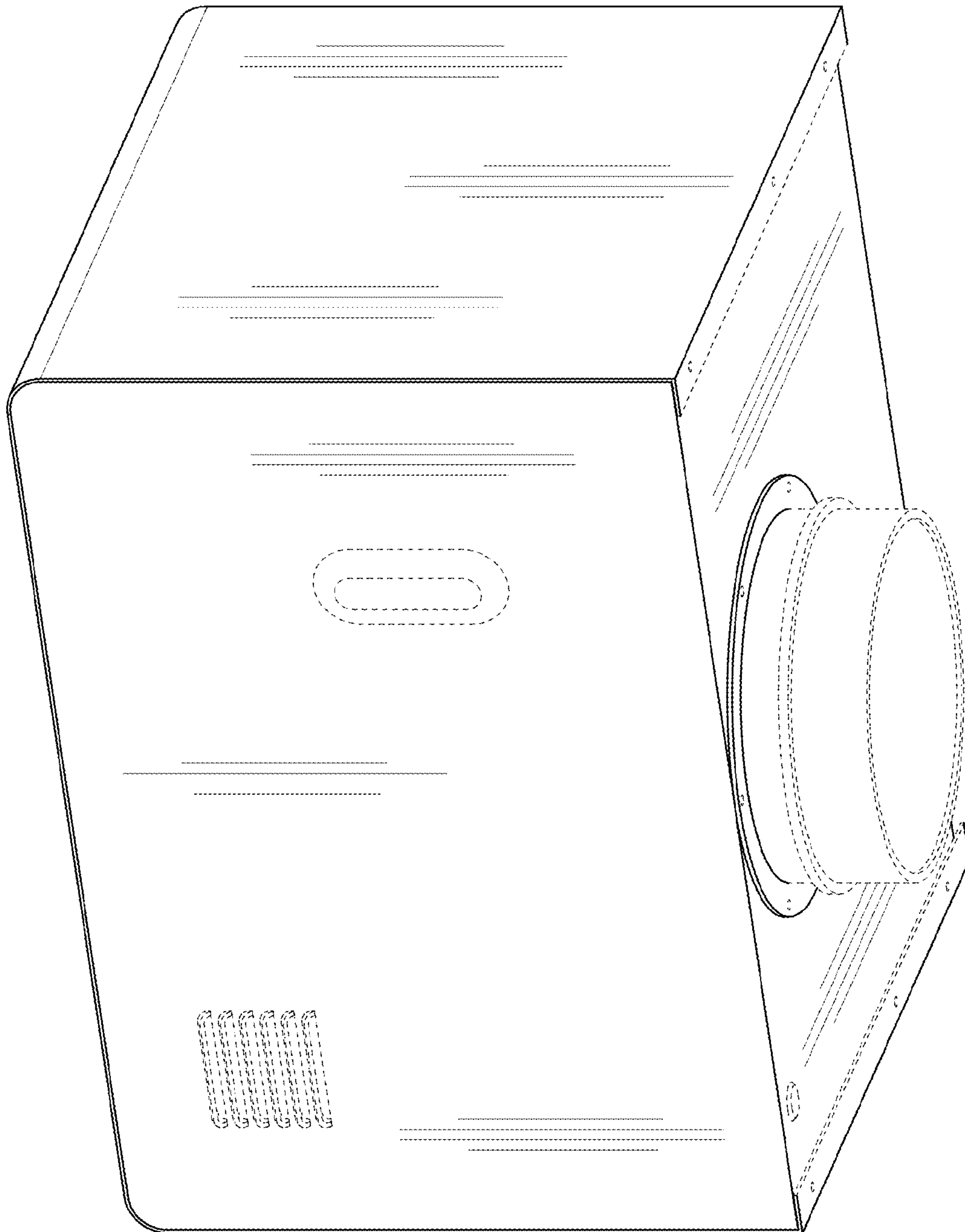


FIG. 2

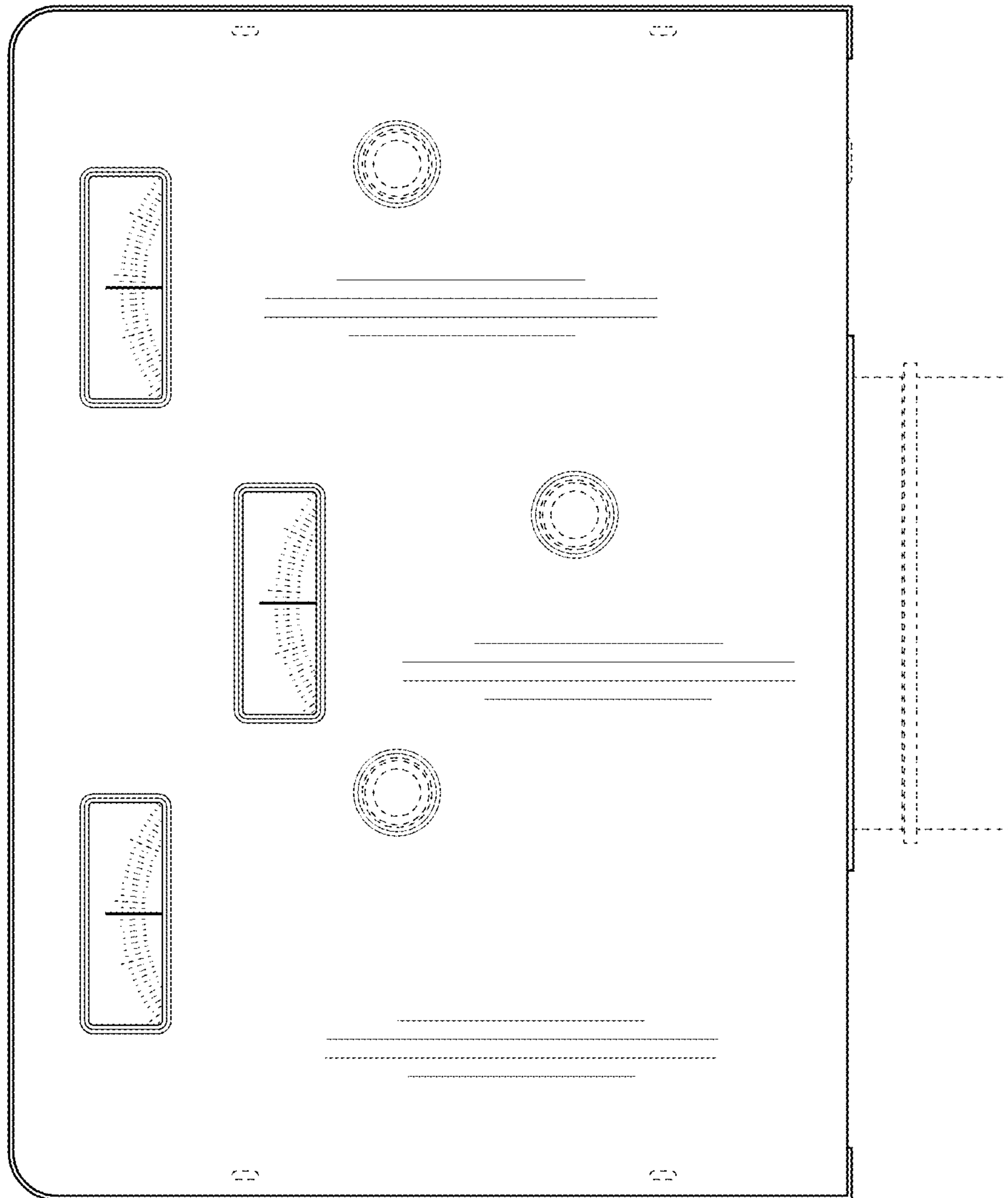


FIG. 3

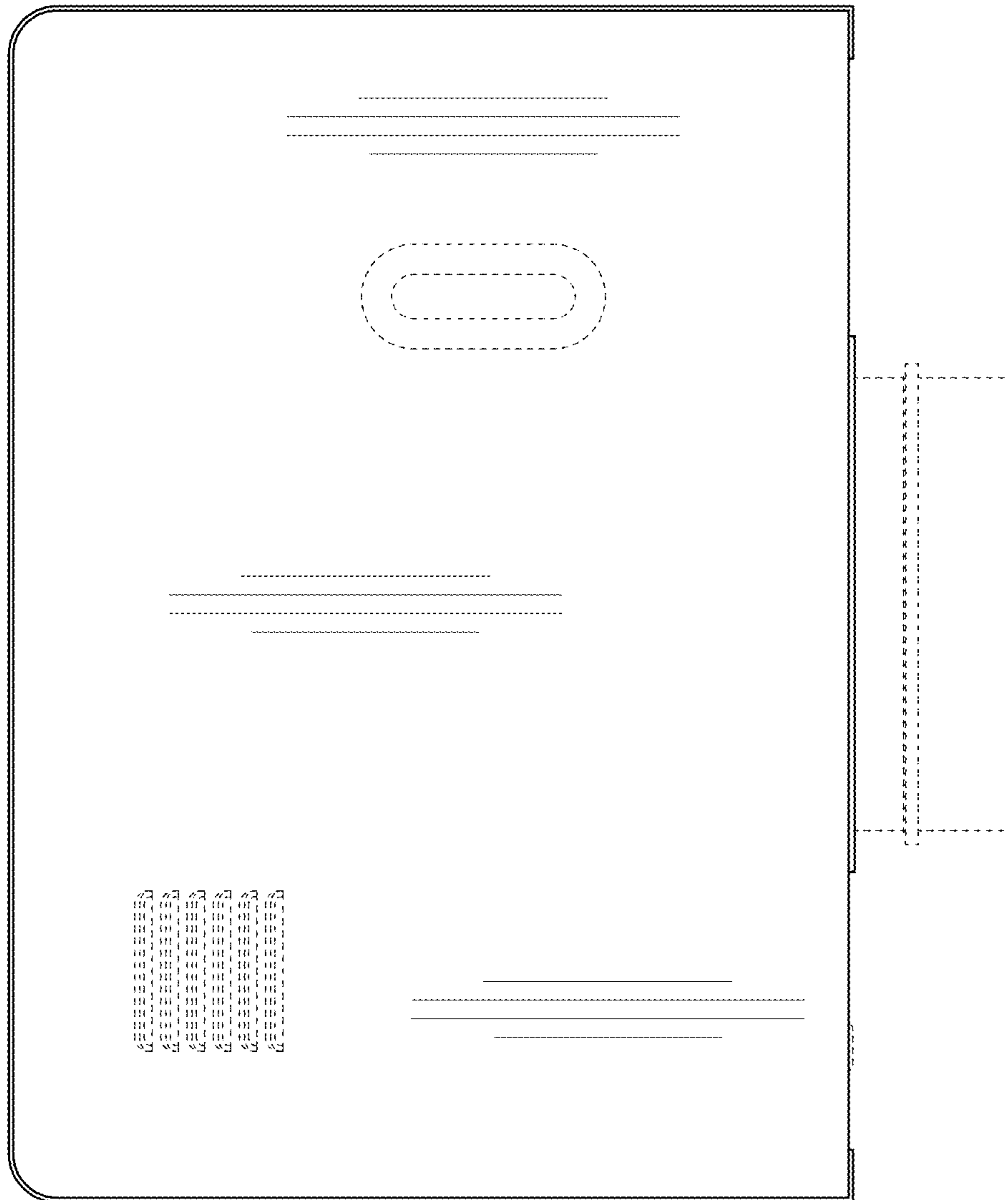


FIG. 4

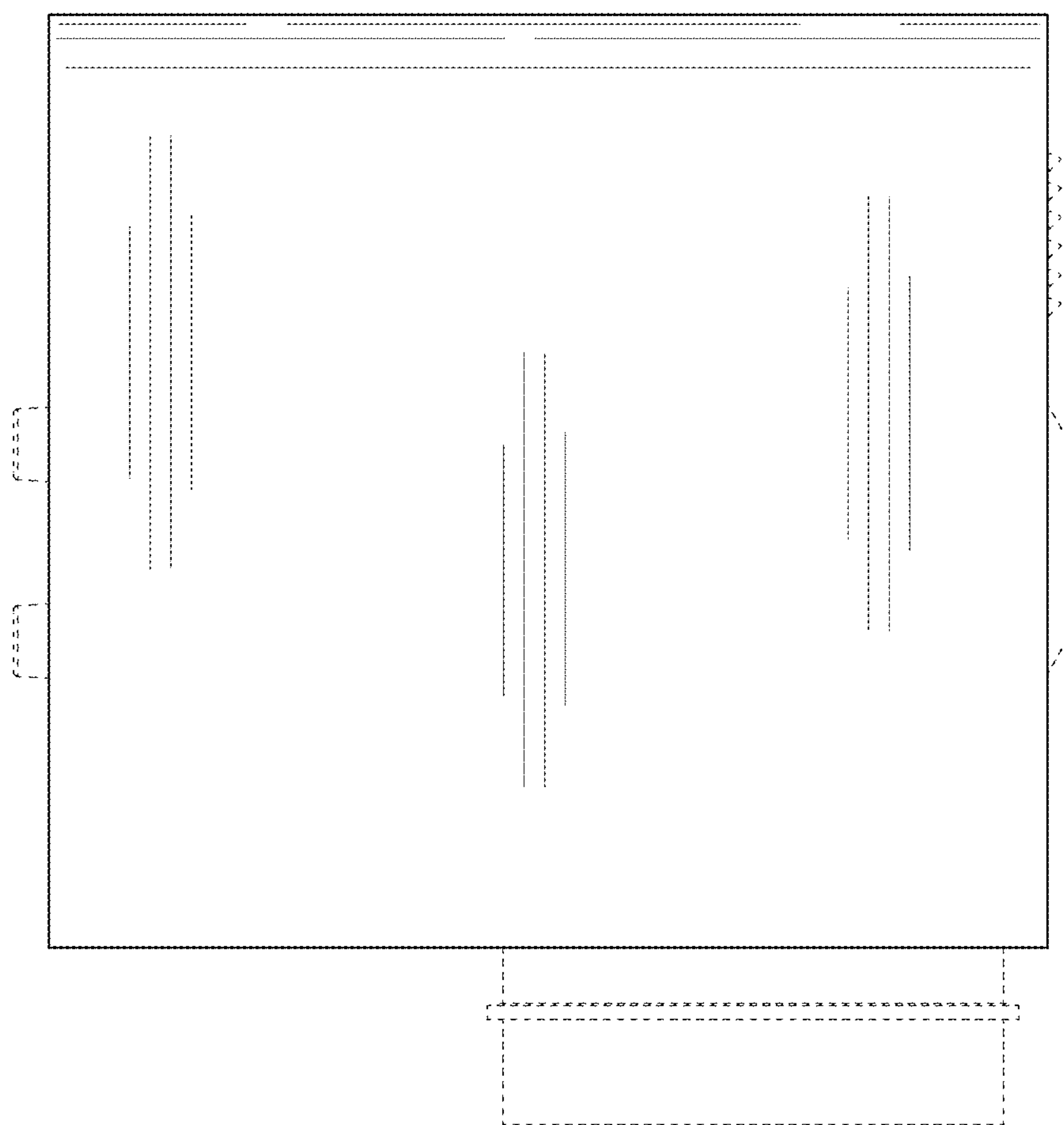


FIG. 5



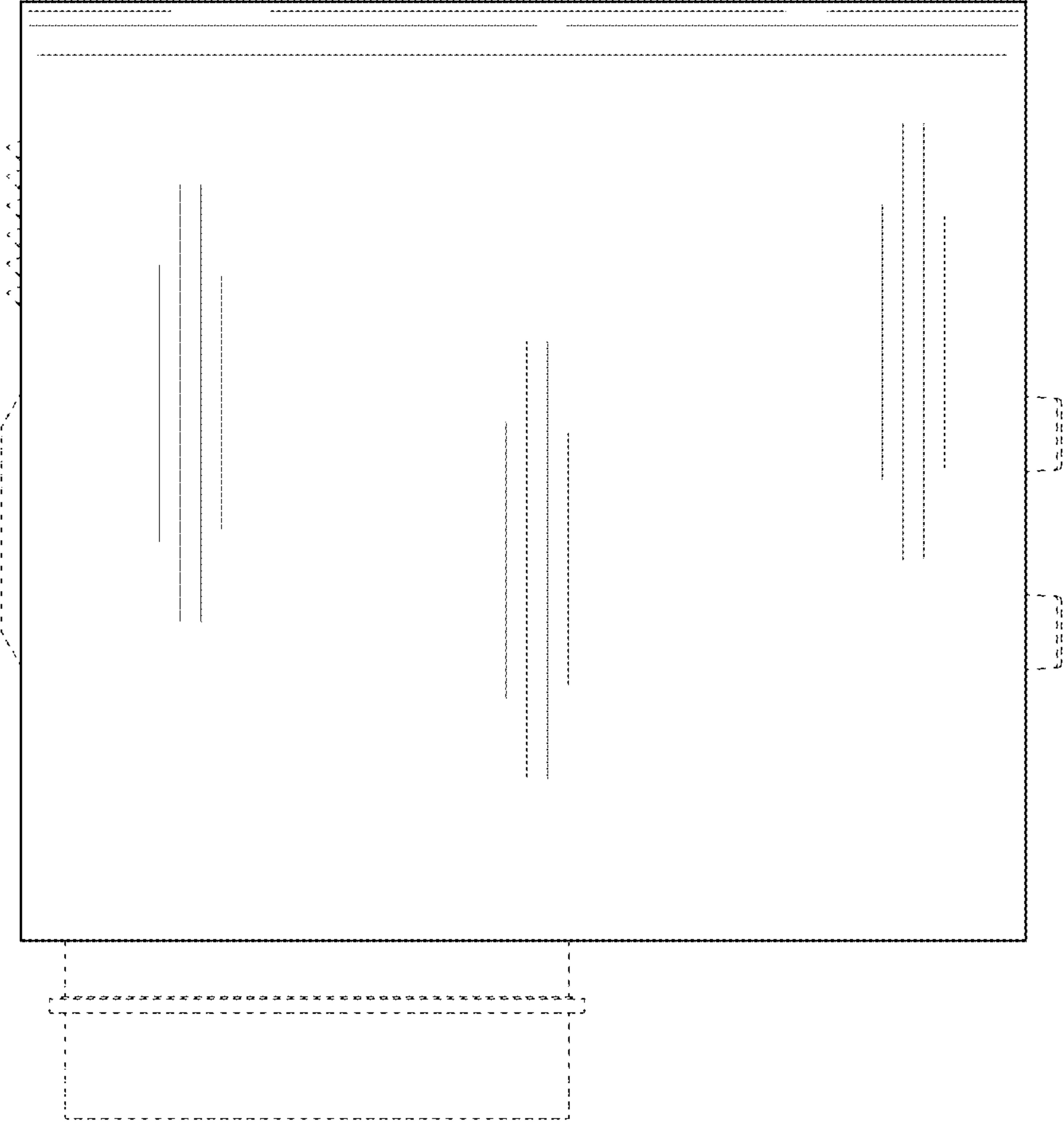


FIG. 6



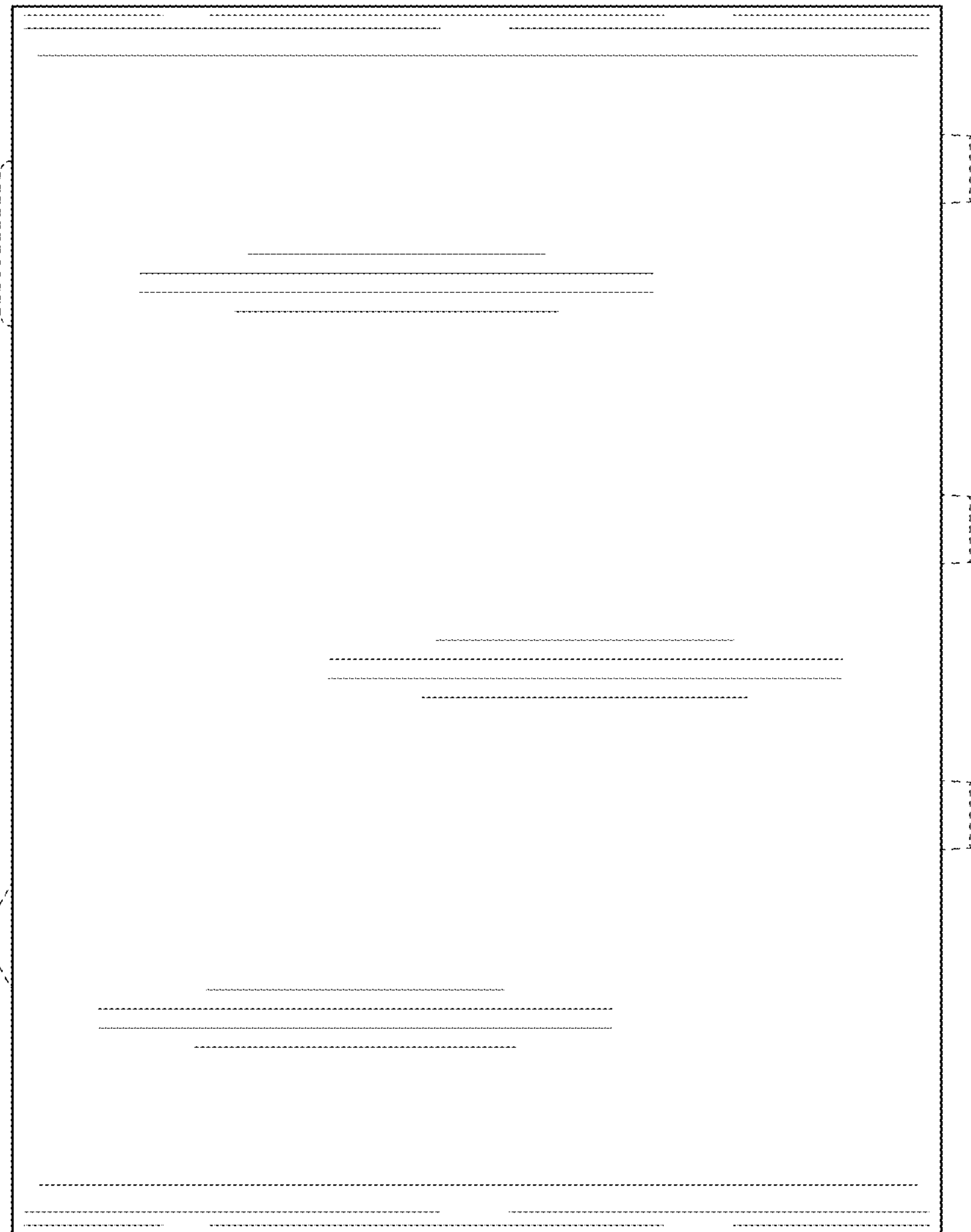


FIG. 7

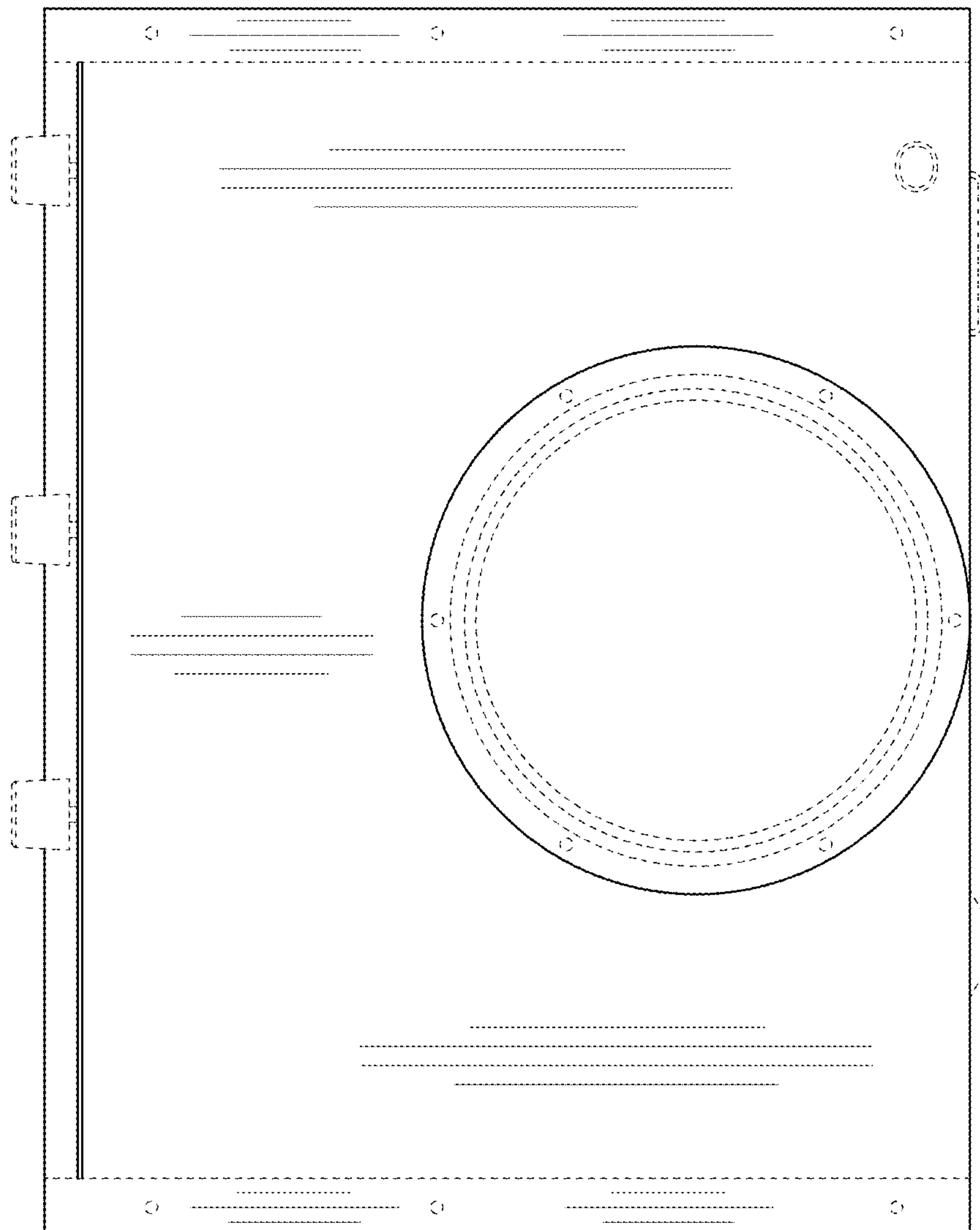


FIG. 8

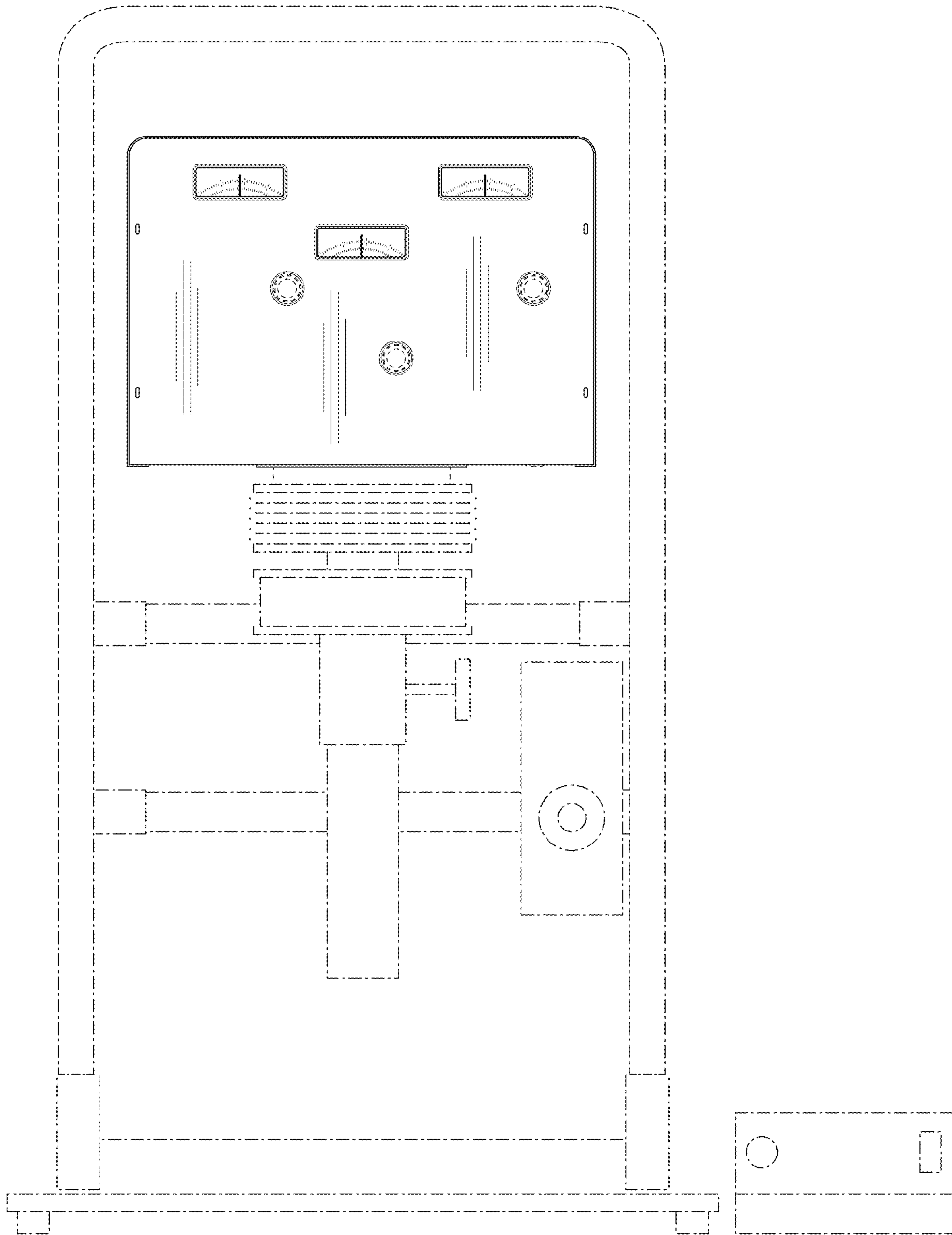


FIG. 9