



US00D870800S

(12) **United States Design Patent** (10) **Patent No.:** **US D870,800 S**
Xu (45) **Date of Patent:** **** Dec. 24, 2019**

(54) **FLEXIBLE TRIPOD**

(71) Applicant: **Longfeng Xu**, Zhejiang (CN)

(72) Inventor: **Longfeng Xu**, Zhejiang (CN)

(**) Term: **15 Years**

(21) Appl. No.: **29/667,511**

(22) Filed: **Oct. 23, 2018**

(51) **LOC (12) Cl.** **16-05**

(52) **U.S. Cl.**
USPC **D16/244**

(58) **Field of Classification Search**
USPC D16/219, 237-250; D8/354, 355, 363,
D8/373, 382-383, 394-396; D14/224,
D14/229, 238, 251, 447, 451, 457
CPC A45F 2200/0508-0533; A45F 5/00; A45F
5/10; F16M 11/06-10; F16M 11/14;
G02B 7/00-002; G03B 17/56; G03B
17/561-568; H04N 5/2253-2254
See application file for complete search history.

(56) **References Cited**

U.S. PATENT DOCUMENTS

5,647,565	A *	7/1997	Wei	F16M 11/10 248/168
6,254,044	B1 *	7/2001	Lee	F16M 11/14 248/163.1
D533,578	S *	12/2006	Oka	D16/244
D607,036	S *	12/2009	Darrow	D16/242
D607,917	S *	1/2010	Darrow	D16/242
D673,204	S *	12/2012	Bae	D16/244
D821,483	S *	6/2018	Vitale	D16/244

D840,464	S *	2/2019	Balmer	D16/244
2009/0101772	A1 *	4/2009	Bevirt	F16M 11/40 248/180.1
2011/0042536	A1 *	2/2011	Phillips	F16M 11/242 248/299.1

OTHER PUBLICATIONS

FotoPro UFO 2 Flexible Tripod with Smartphone and GoPro Adapter. [online] Published on Oct. 18, 2018. Retrieved Aug. 19, 2019 from URL: <https://www.adorama.com/fpufo2bk.html>.
Phone Tripod, Flexible Cell Phone Tripod. [online] Published on Sep. 27, 2018. Retrieved Aug. 19, 2019 from URL: https://www.amazon.com/Flexible-Adjustable-Wireless-Universal-Rotating/dp/B07HR5T8ZD/ref=sr_1_4?keywords=flexible+tripod&qid=1566232673&s=gateway&sr=8-4.

* cited by examiner

Primary Examiner — Vy N Koenig

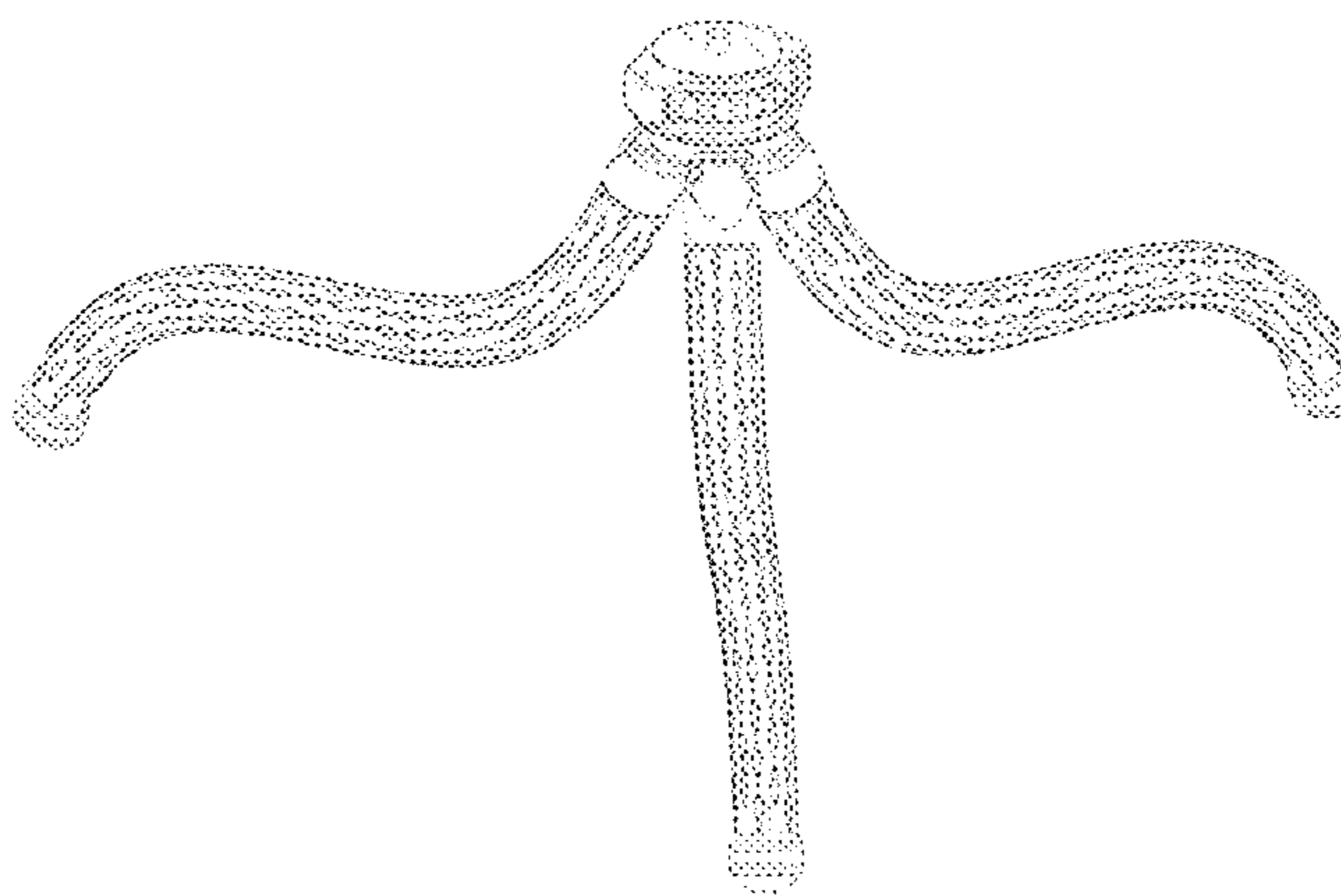
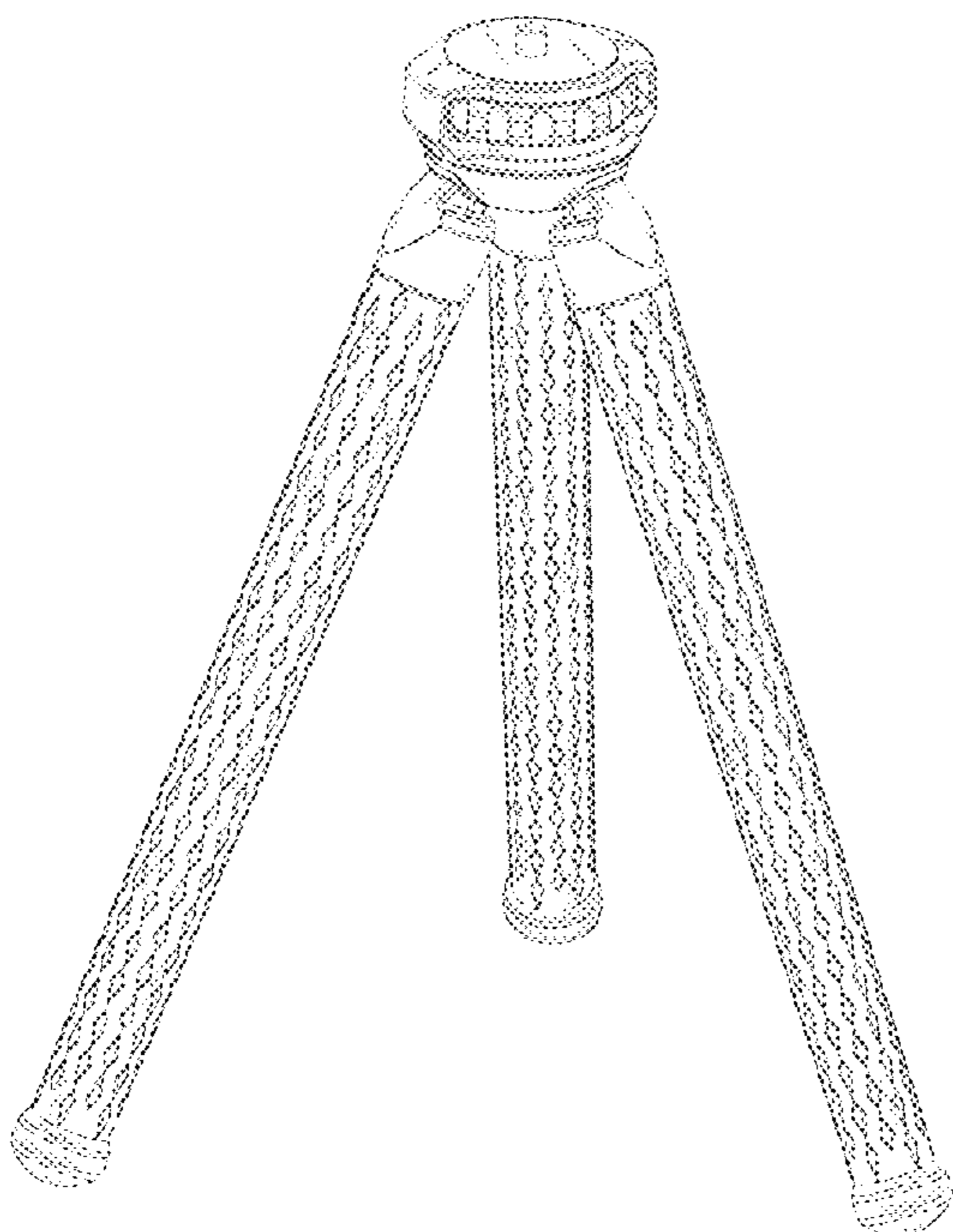
(57) **CLAIM**

The ornamental design for a flexible tripod, as shown and described.

DESCRIPTION

FIG. 1 is a perspective view of a flexible tripod showing my new design;
FIG. 2 is a front elevation view thereof;
FIG. 3 is a rear elevation view thereof;
FIG. 4 is a left side elevation view thereof;
FIG. 5 is a right side elevation view thereof;
FIG. 6 is a top plan view thereof;
FIG. 7 is a bottom plan view thereof;
FIG. 8 is a perspective view thereof, showing the legs in a bent state; and,
FIG. 9 is another perspective view thereof, showing the legs in a bent state.

1 Claim, 9 Drawing Sheets



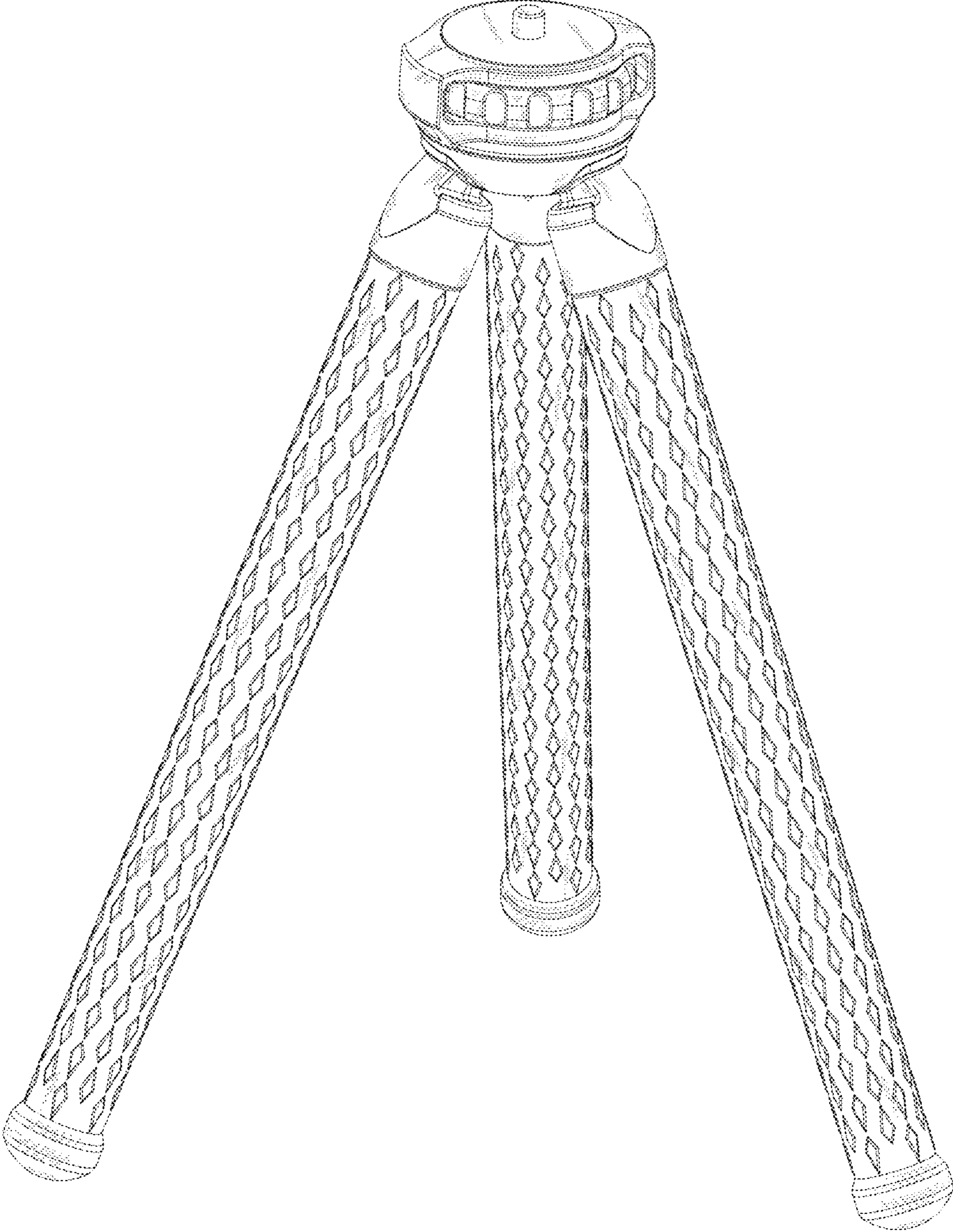


FIG. 1

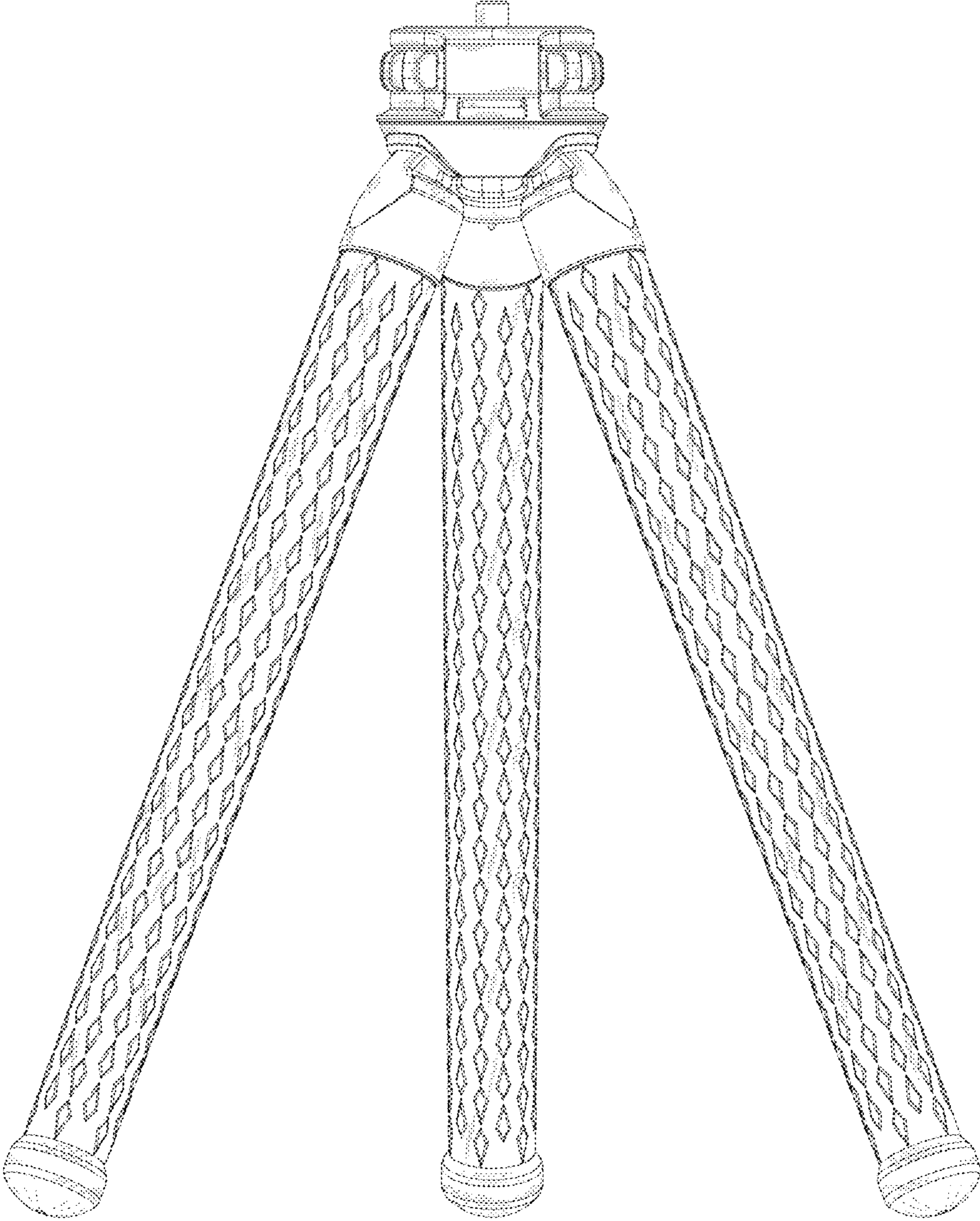


FIG.2

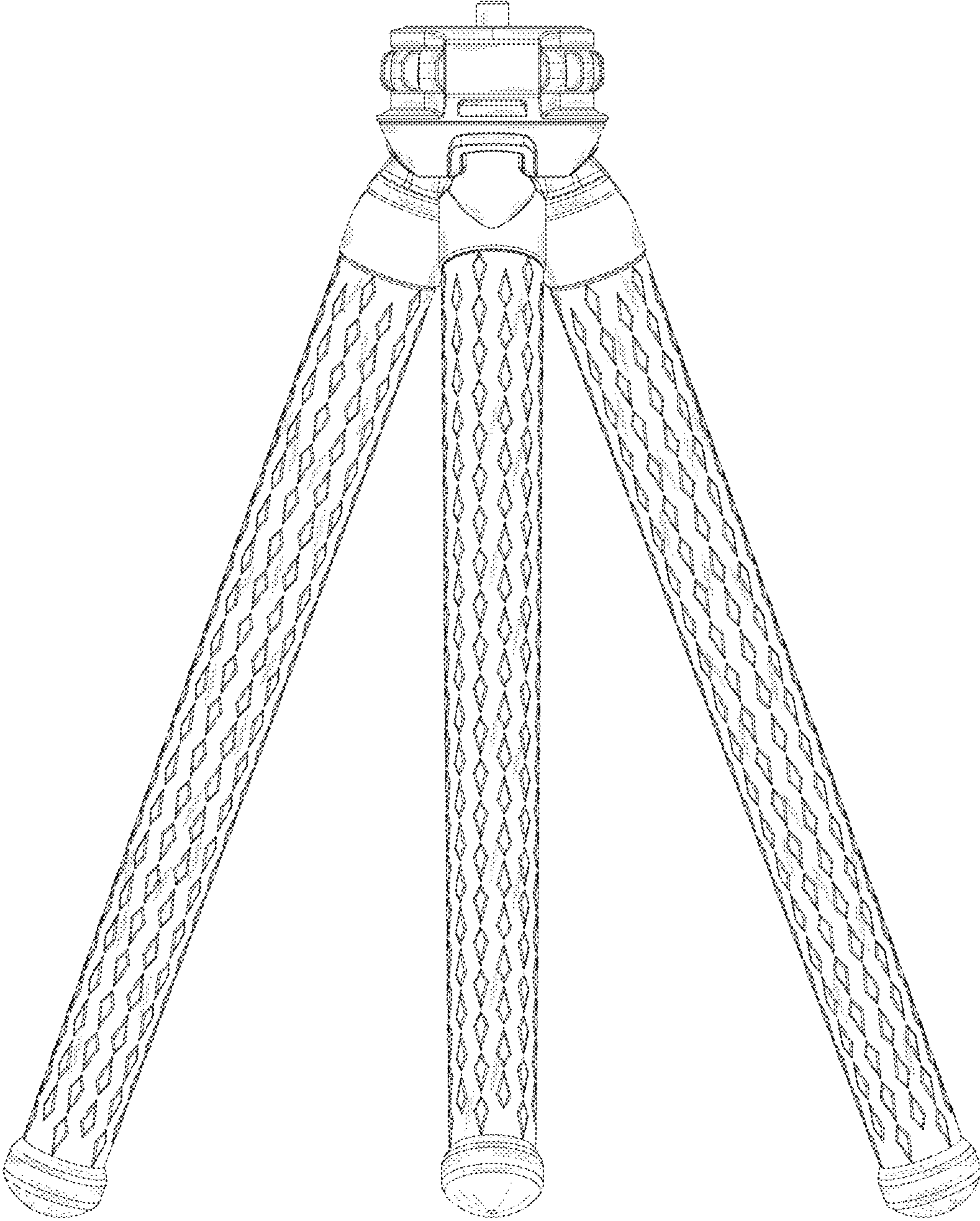


FIG.3

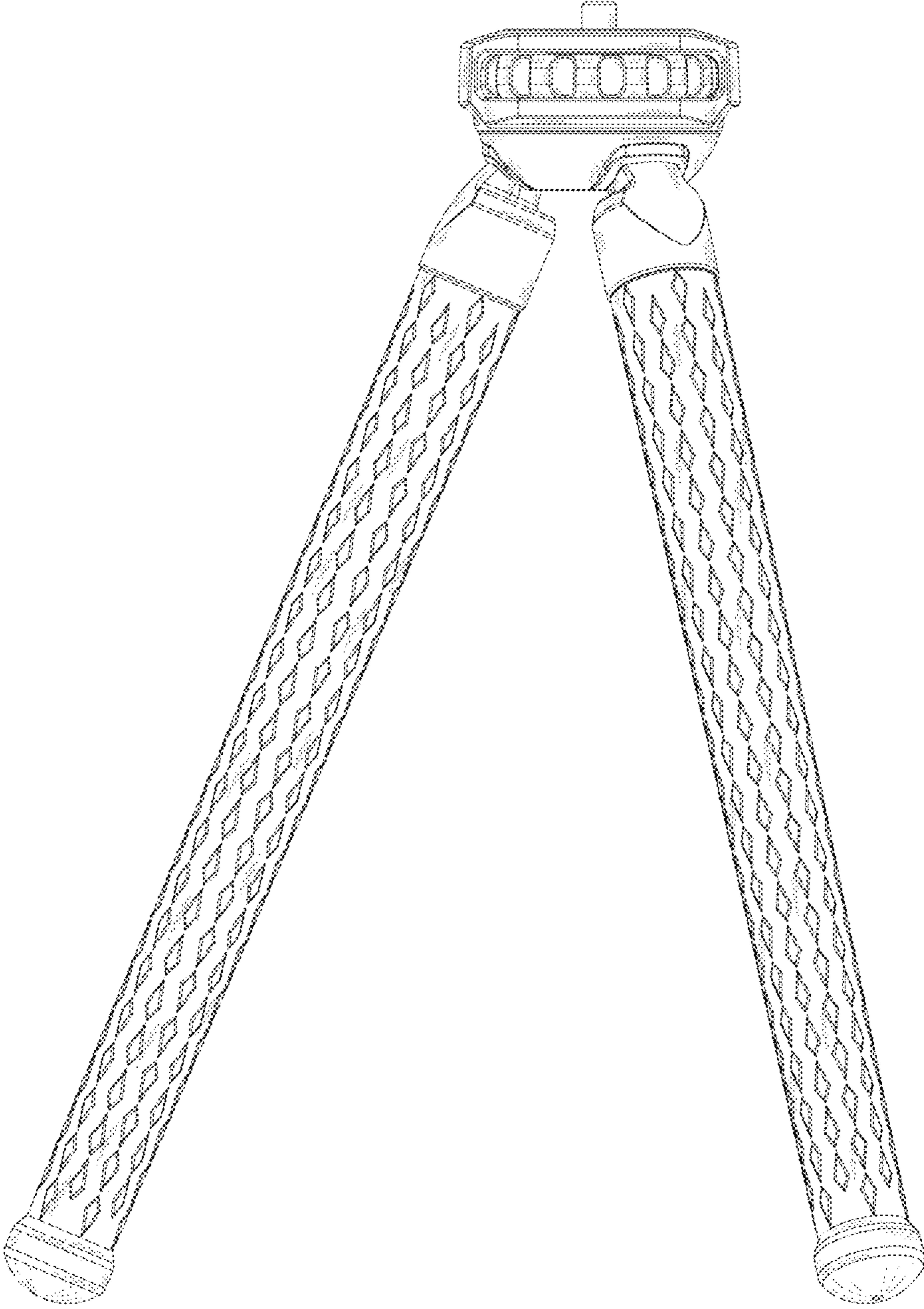


FIG.4

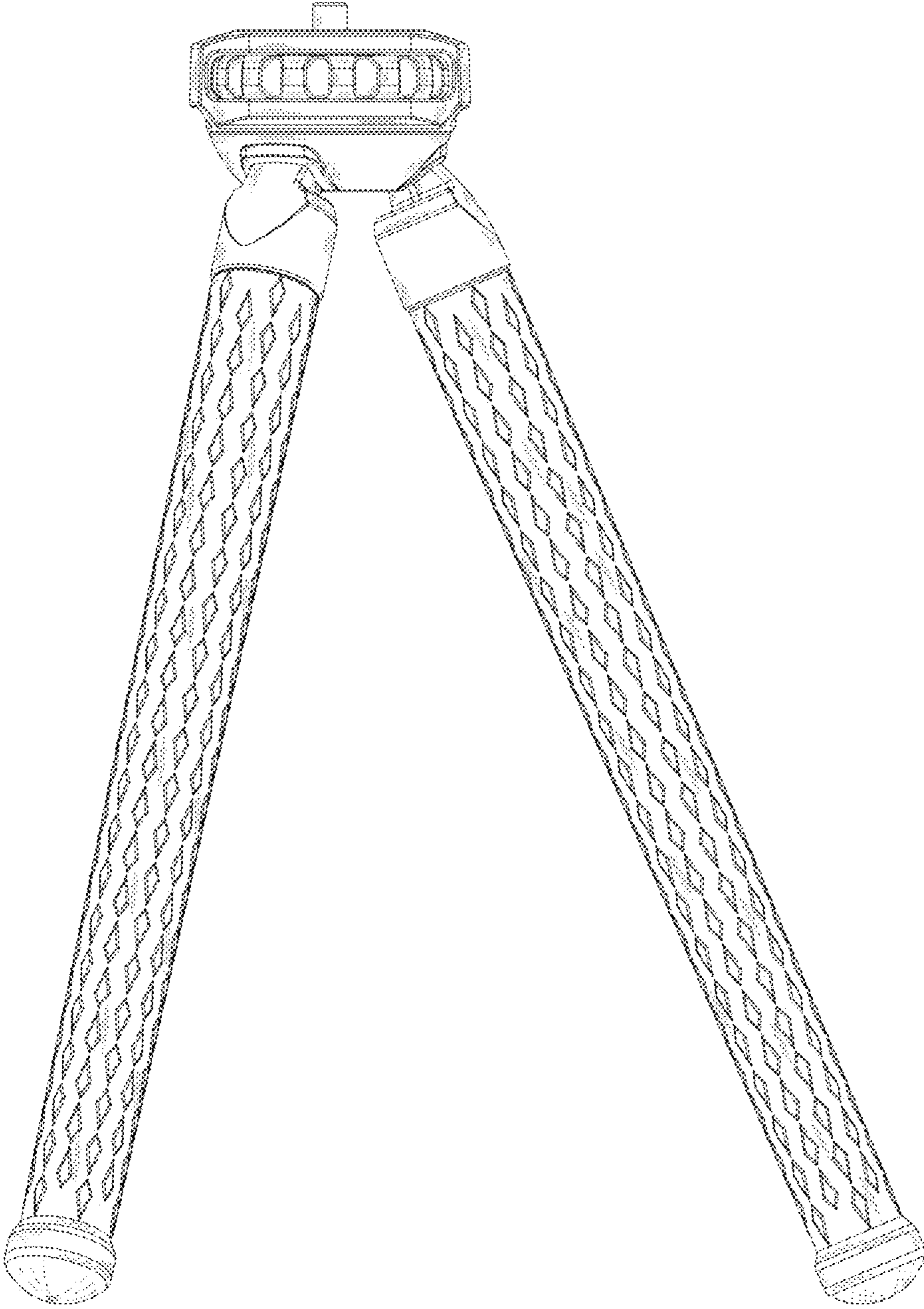


FIG.5

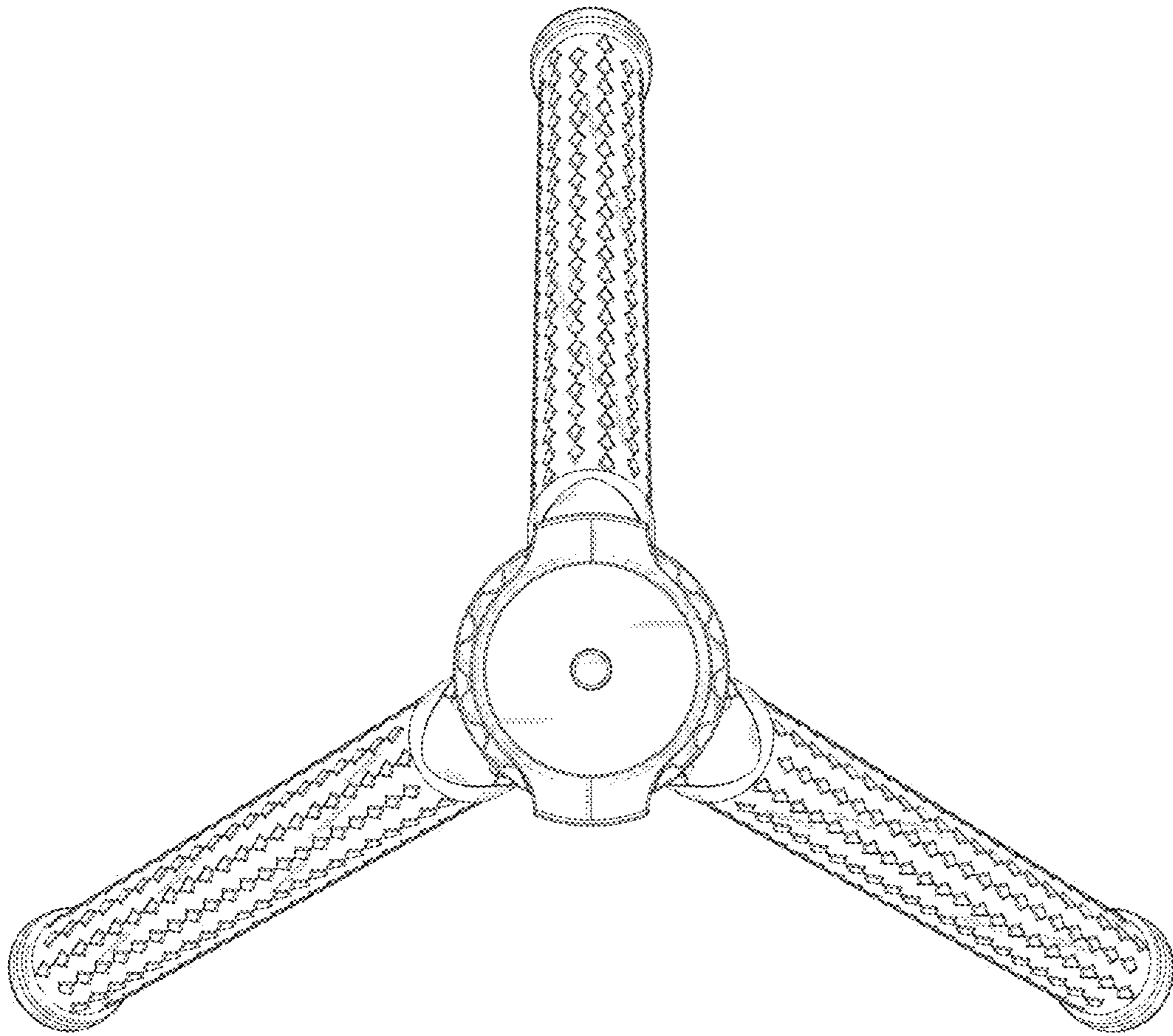


FIG.6

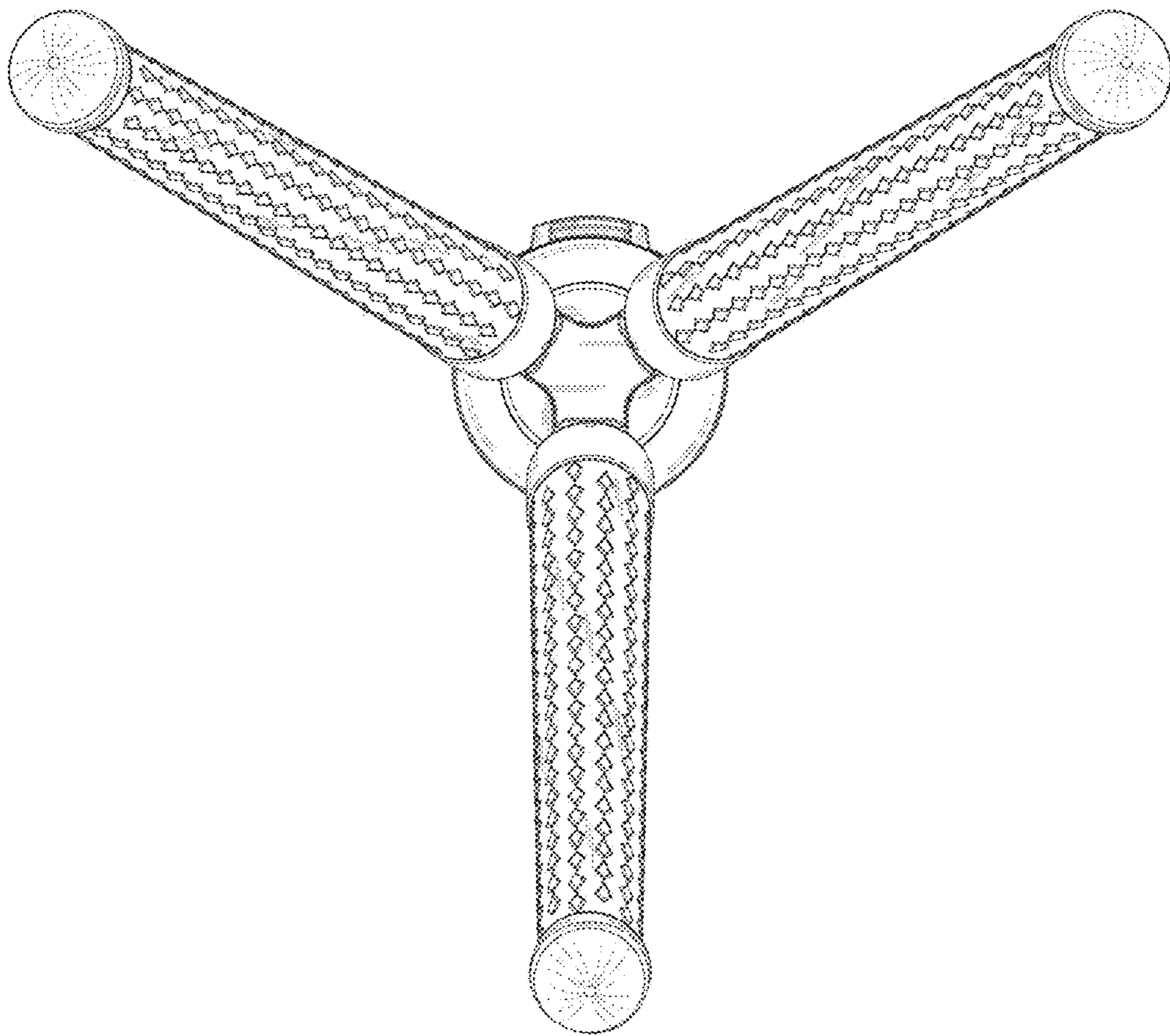


FIG. 7

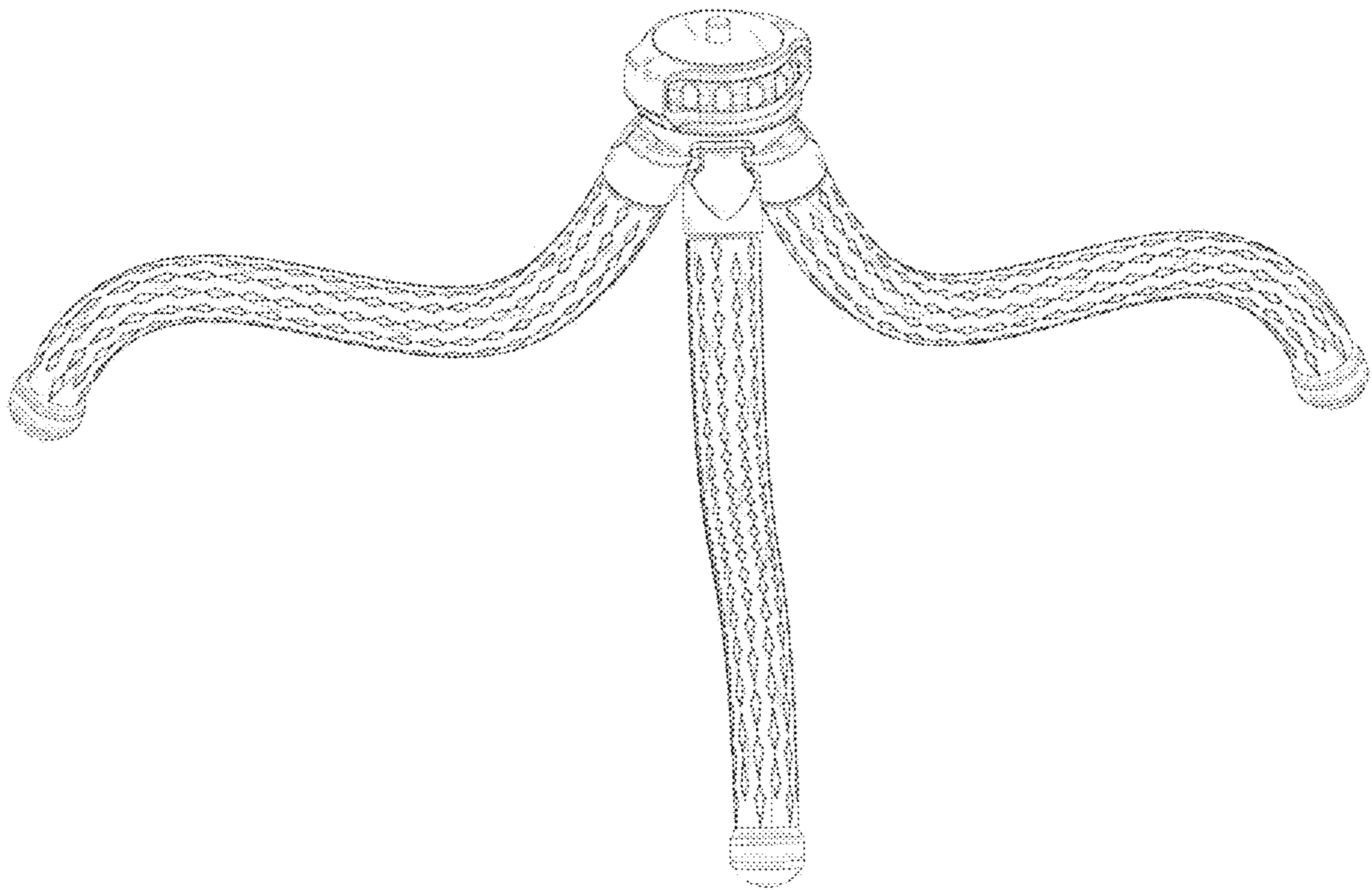


FIG. 8

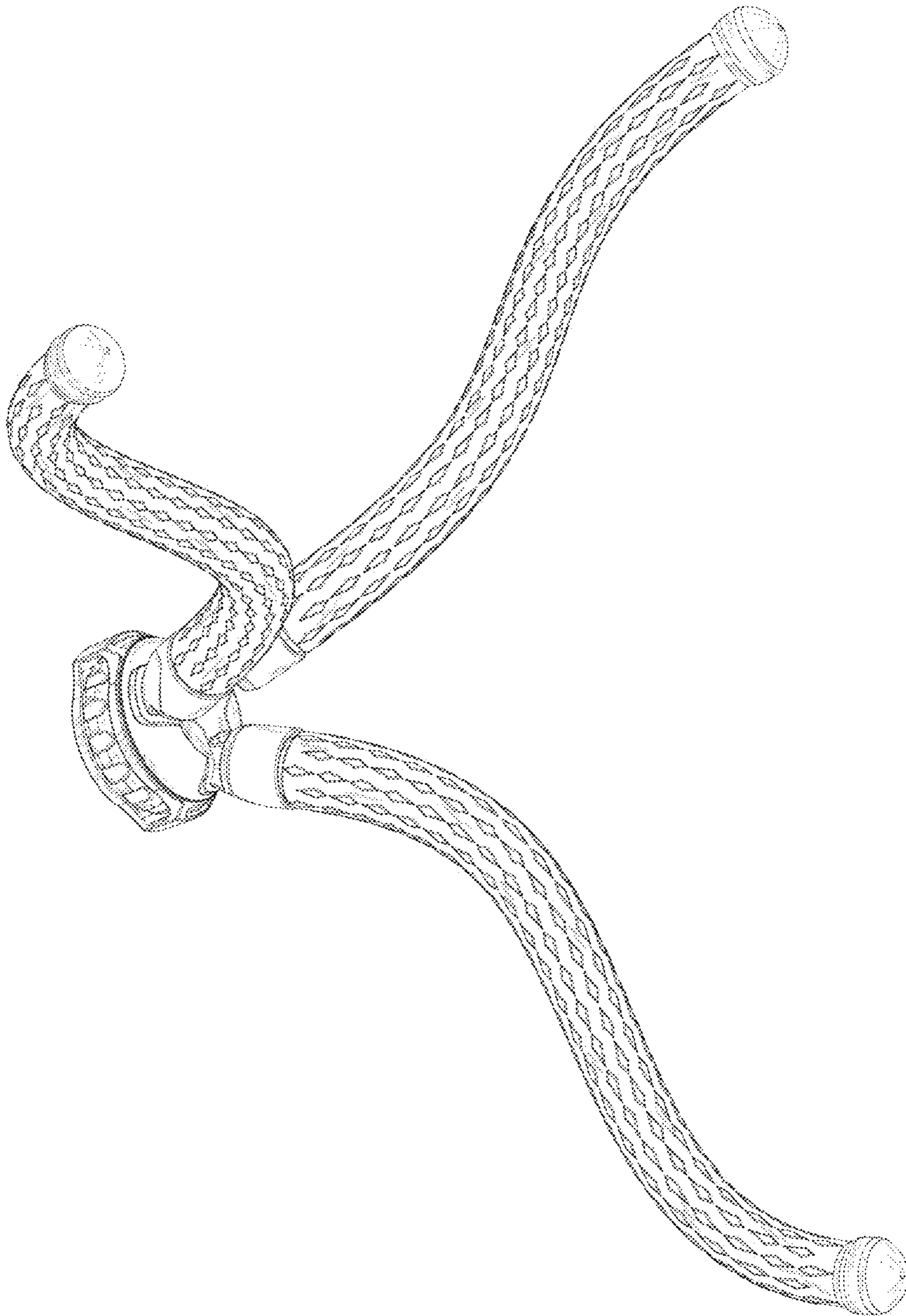


FIG. 9