



US00D870799S

(12) **United States Design Patent**
Ramones et al.

(10) **Patent No.:** **US D870,799 S**

(45) **Date of Patent:** **** Dec. 24, 2019**

(54) **FLEXIBLE CAMERA MOUNT**

(71) Applicant: **Arlo Technologies, Inc.**, Carlsbad, CA (US)

(72) Inventors: **John Kui Yin Ramones**, San Ramon, CA (US); **Beau Oyler**, Walnut Creek, CA (US); **Kent Gawain Crandall**, Carlsbad, CA (US); **Kieran White Moriarty**, Alameda, CA (US)

(73) Assignee: **Arlo Technologies, Inc.**, Carlsbad, CA (US)

(**) Term: **15 Years**

(21) Appl. No.: **29/606,564**

(22) Filed: **Jun. 6, 2017**

(51) **LOC (12) Cl.** **16-05**

(52) **U.S. Cl.**
USPC **D16/242**

(58) **Field of Classification Search**
USPC D16/203, 208, 213–219, 235–250;
D14/217, 229, 250–253; D8/353, 362,
(Continued)

(56) **References Cited**

U.S. PATENT DOCUMENTS

4,684,230 A * 8/1987 Smith F16M 11/24
248/176.1
D602,514 S * 10/2009 Dittmer D16/235
(Continued)

OTHER PUBLICATIONS

20 inch Industrial Stand Fan FS-50. Online, published date unknown. Retrieved on Sep. 3, 2018 from URL: <http://www.khsmalta.com/index.php/component/virtuemart/heating-cooling/20-inch-industrial-stand-fan-fs-50-detail?Itemid=0>.*

(Continued)

Primary Examiner — Susan Bennett Hattan

Assistant Examiner — Omeed Agilee

(74) *Attorney, Agent, or Firm* — Boyle Fredrickson, S.C.

(57) **CLAIM**

The ornamental design for a flexible camera mount, as shown and described.

DESCRIPTION

FIG. 1 is a top, front, right isometric view of the flexible camera mount in a basic configuration; FIG. 2 is a top plan view thereof; FIG. 3 is a bottom plan view thereof; FIG. 4 is a right side elevation view thereof, the left side elevation view being a mirror image of the right side elevation view; FIG. 5 is a front elevation view thereof, the rear elevation view being a mirror image of the front elevation view; FIG. 6 is a top, front right isometric view of the flexible camera mount in first posed configuration; FIG. 7 is a rear elevation view thereof elevation, the front elevation view being a mirror image of the rear elevation view; FIG. 8 is a right side elevation view thereof; FIG. 9 is a top, front, right isometric view of the flexible camera mount in a second posed configuration; FIG. 10 is a front elevation view thereof; FIG. 11 is a rear elevation view thereof; FIG. 12 is a left side elevation view thereof, the right side elevation view being a mirror image of the left side elevation view; FIG. 13 is a top plan view thereof, the bottom plan view being a mirror image of the top plan view; FIG. 14 is a top, front, right isometric view of the flexible camera mount in a third posed configuration; FIG. 15 is a front elevation view thereof; FIG. 16 is a rear elevation view thereof; FIG. 17 is a top plan view thereof; FIG. 18 is a bottom plan view thereof; FIG. 19 is a left side elevation view thereof, the right side elevation view being a mirror image of the left side elevation view; FIG. 20 is a top, front, right isometric view of the flexible camera mount in a fourth posed configuration; FIG. 21 is a front elevation view thereof, the rear elevation view being a mirror image of the front elevation view;

(Continued)

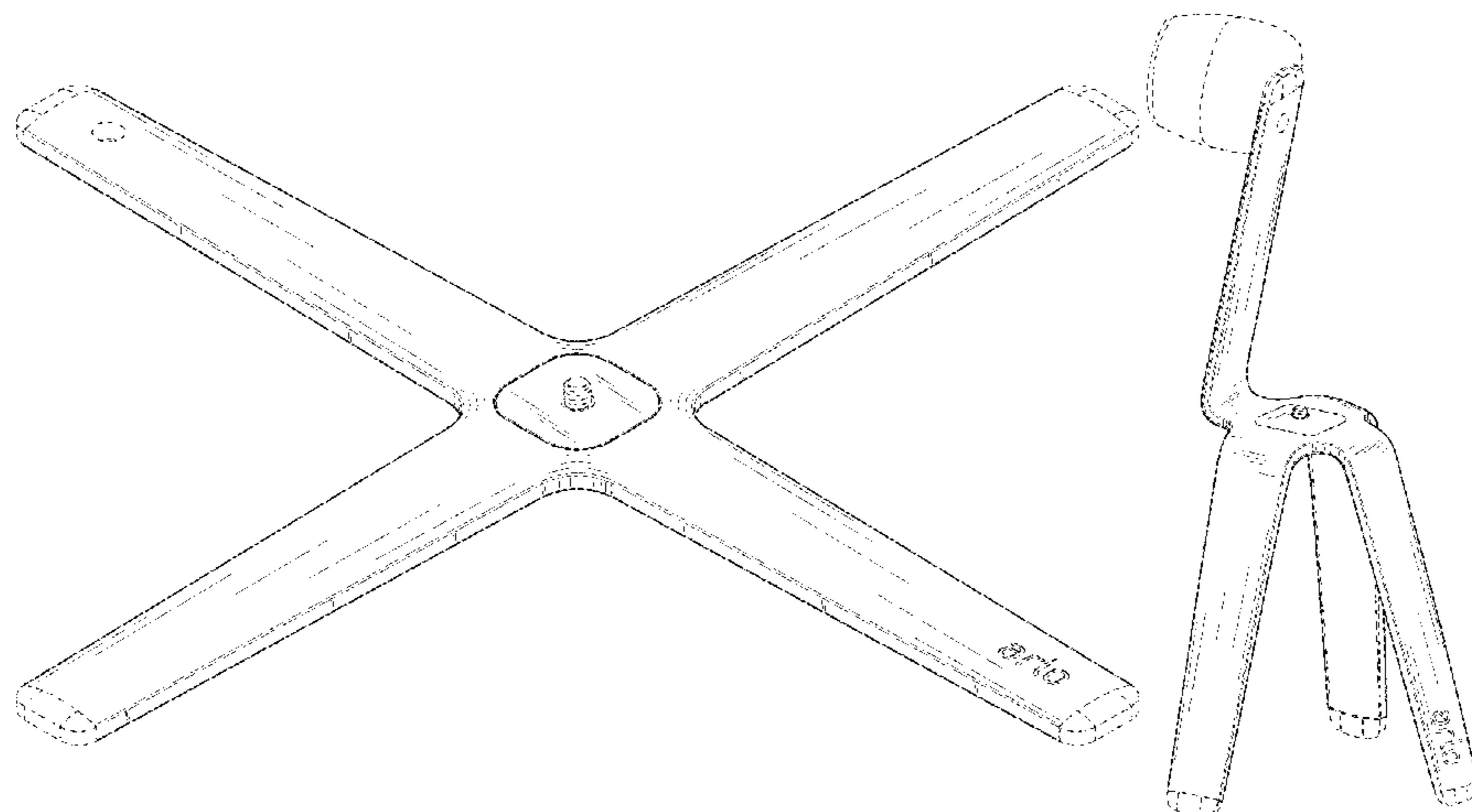


FIG. 22 is a right side elevation view thereof, the left side elevation view being a mirror image of the right side elevation view; and,

FIG. 23 is a top plan view thereof.

The broken, lines in FIGS. 1-23 that are located immediately adjacent the shaded areas represent the bounds of the claimed design, while all other broken lines are directed to the environment. All of the broken lines form no part of the claimed design.

1 Claim, 23 Drawing Sheets

(58) **Field of Classification Search**

USPC D8/371, 394; D26/93, 142; D6/334-336, D6/363-366, 368, 702-710
 CPC .. G03B 17/02-04; G03B 17/14; G03B 17/56; G03B 17/561-568; G03B 21/20; G02B 7/00-002; F16M 11/02; F16M 11/04; F16M 11/20; F16M 11/40

See application file for complete search history.

(56) **References Cited**

U.S. PATENT DOCUMENTS

D624,578	S *	9/2010	Smith	D16/235
7,798,452	B1	9/2010	Wessells et al.	
7,891,615	B2	2/2011	Bevirt	
D633,548	S *	3/2011	Huang	D16/235
D638,461	S *	5/2011	Kim	D16/235

D649,998	S *	12/2011	Huang	D16/242
8,675,352	B2	3/2014	Wessells et al.	
9,121,546	B2	9/2015	Blevins	
D750,087	S *	2/2016	Wu	D14/447
D766,003	S *	9/2016	Parker	D6/365
D769,852	S *	10/2016	Godycki	D14/250
D800,107	S *	10/2017	Godycki	D14/250
2009/0146027	A1 *	6/2009	Zitting	A61M 5/1415 248/176.1
2010/0021155	A1	1/2010	Orzeck et al.	
2010/0314508	A1	12/2010	Bevirt et al.	
2012/0261532	A1 *	10/2012	Hazzard	A47C 7/004 248/188.7
2014/0346306	A1	11/2014	Mayfield	

OTHER PUBLICATIONS

Arlo Pro 2 by Netgear Home Security Camera System (2 pack) with Siren, Wireless, 1080p HD, Audio, Indoor Outdoor, Night Vision, Works with Amazon Alexa (VMS4230P), Rechargeabl. Online, published date Mar. 23, 2018. Retrieved on Sep. 3, 2018 from URL: https://www.amazon.com/NETGEAR-Security-Wireless-VMS4230P-Rechargeabl.*

MYMIGGO Group Ltd; Flexible Tripods; 2017; pp. 1-2; <http://mymiggo.com/product-type/flexible-tripods/>.

gekkopod.com; Gekkopod 2017; pp. 1-11; <http://gekkopod.com/>.

Sabrent; Flexible Tripod for Standard Tripod mount (GoPro Mount Adapter Included); 2017; pp 1-2; <https://www.sabrent.com/product/GP-TRPD/flexible-tripod-standard-tripod-mount-gopro-mount-adapter-included/#description>.

* cited by examiner

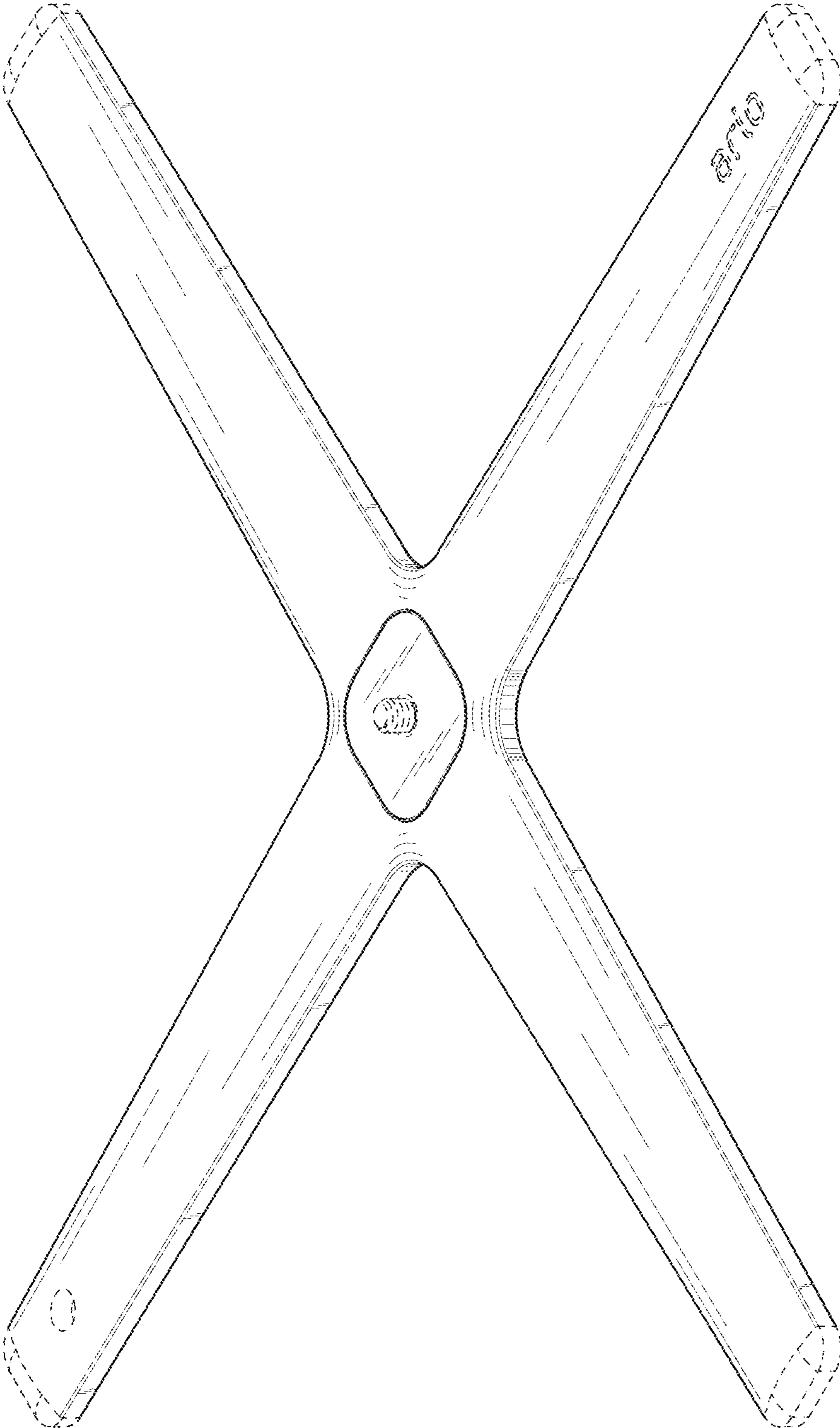


FIG. 1

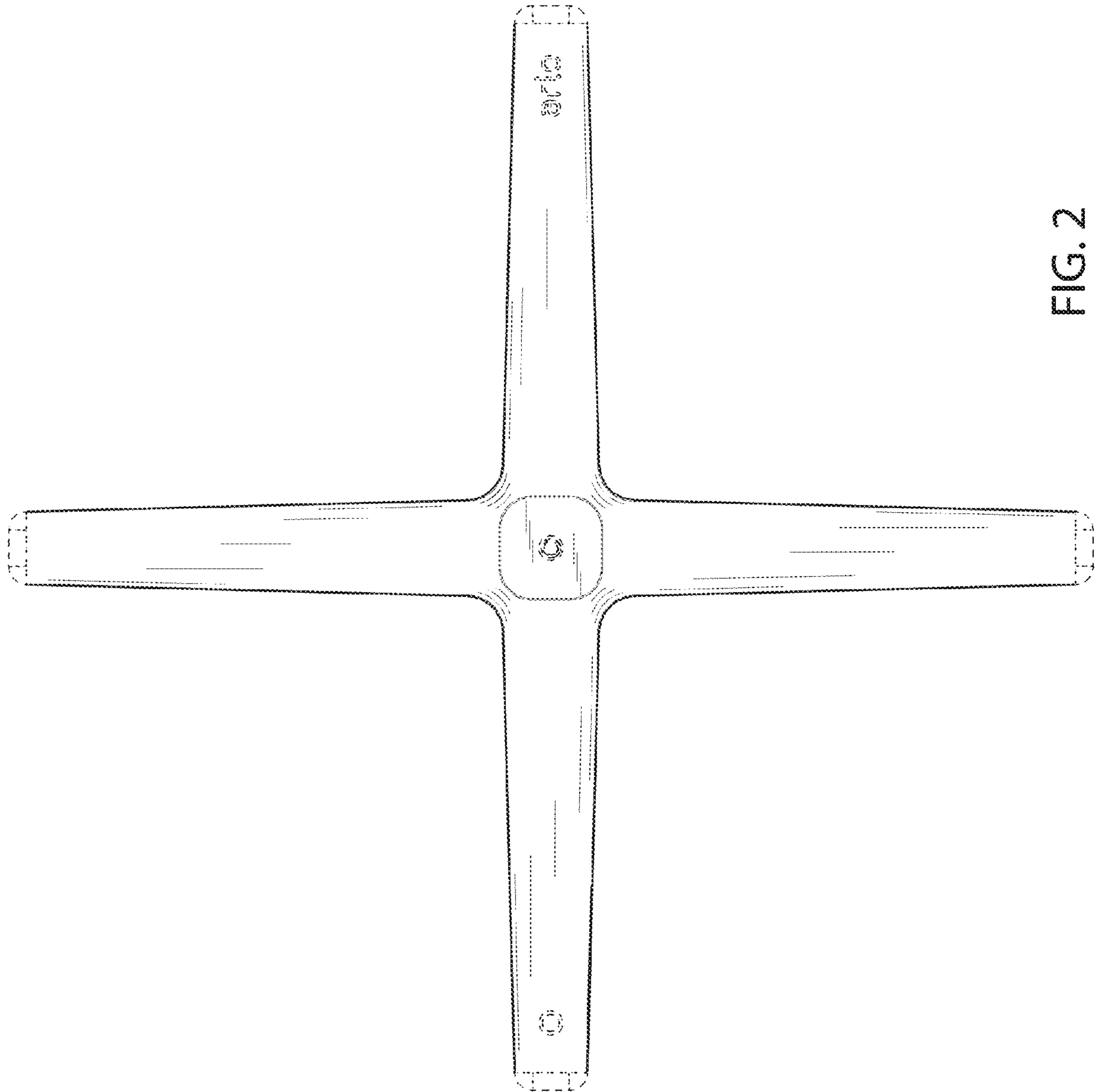


FIG. 2

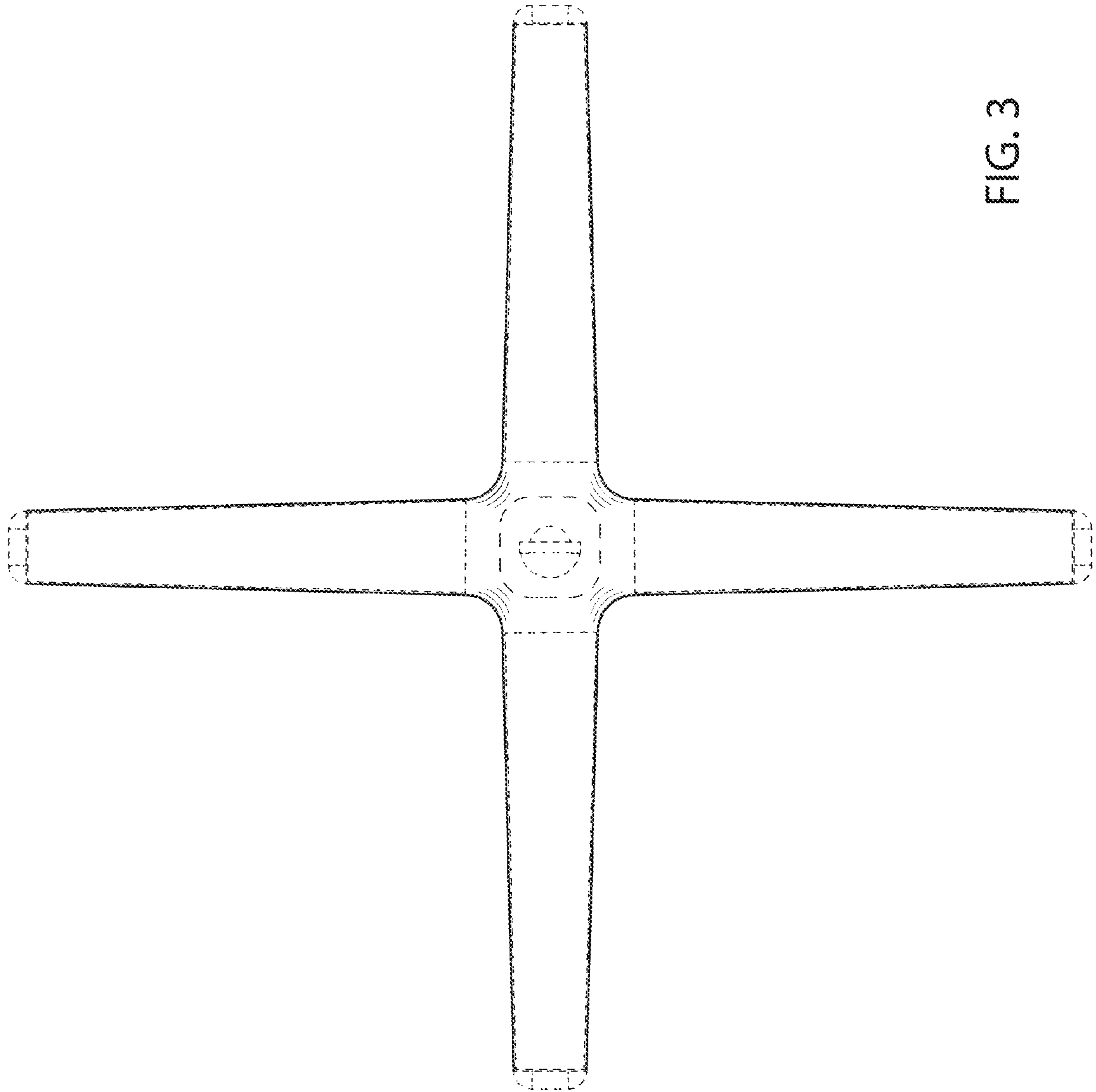


FIG. 3

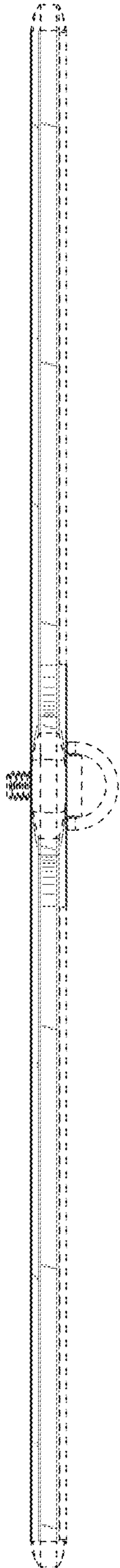


FIG. 4

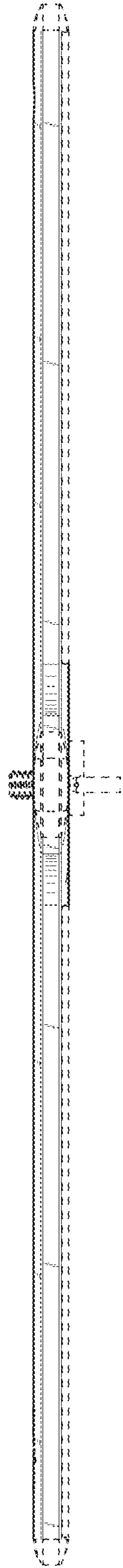


FIG. 5

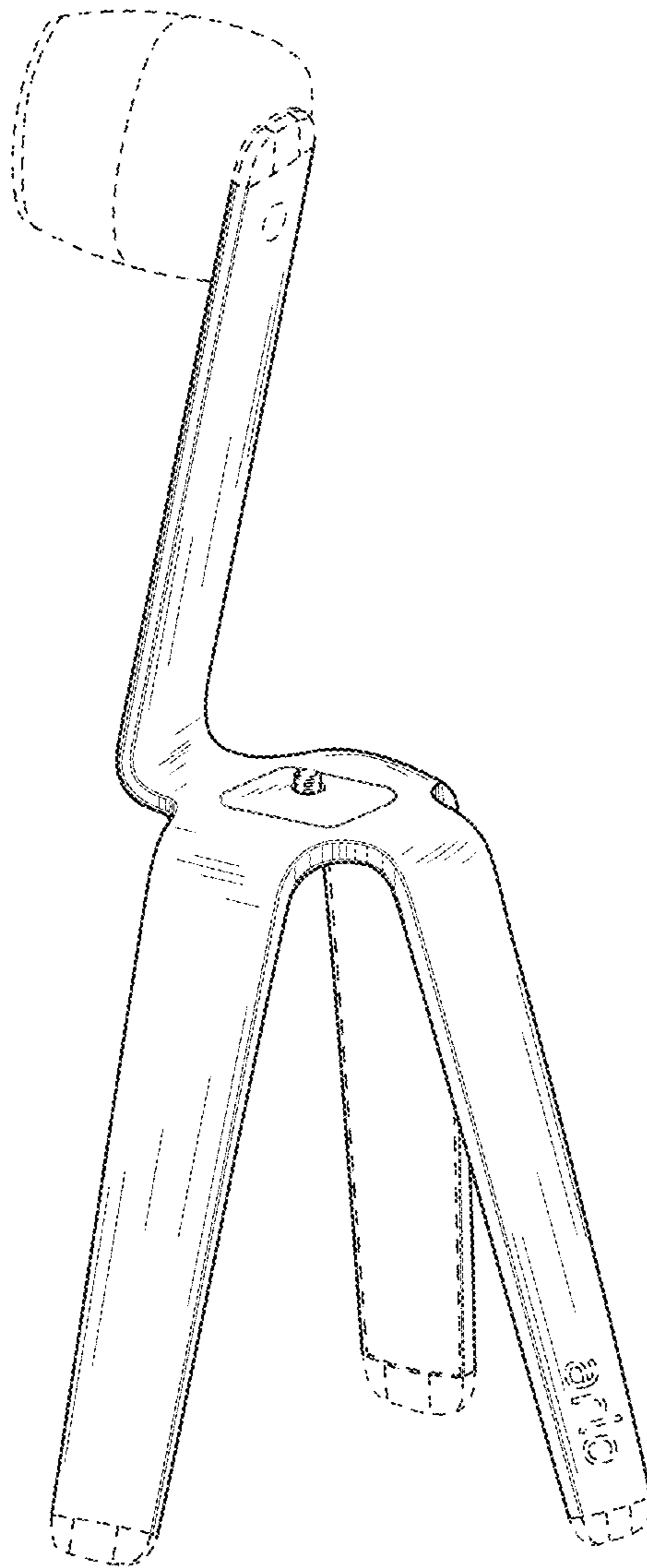


FIG. 6

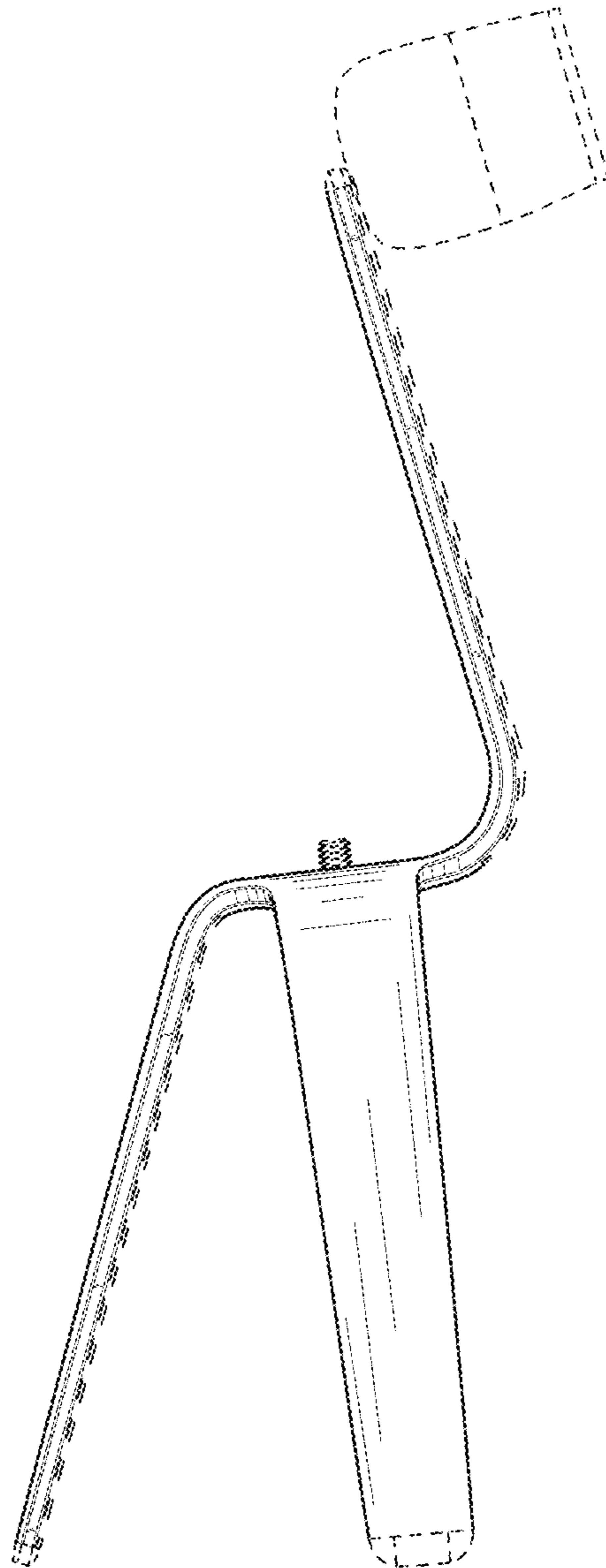


FIG. 7

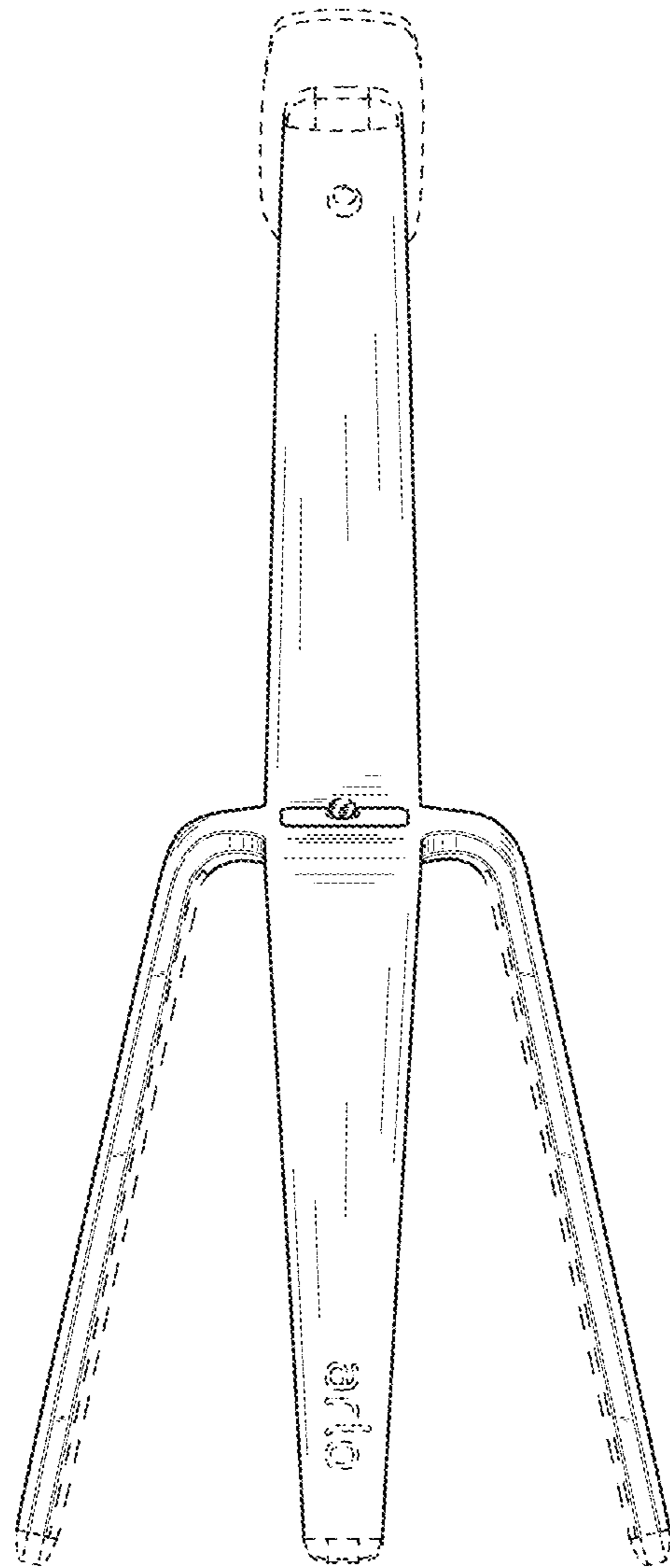


FIG. 8

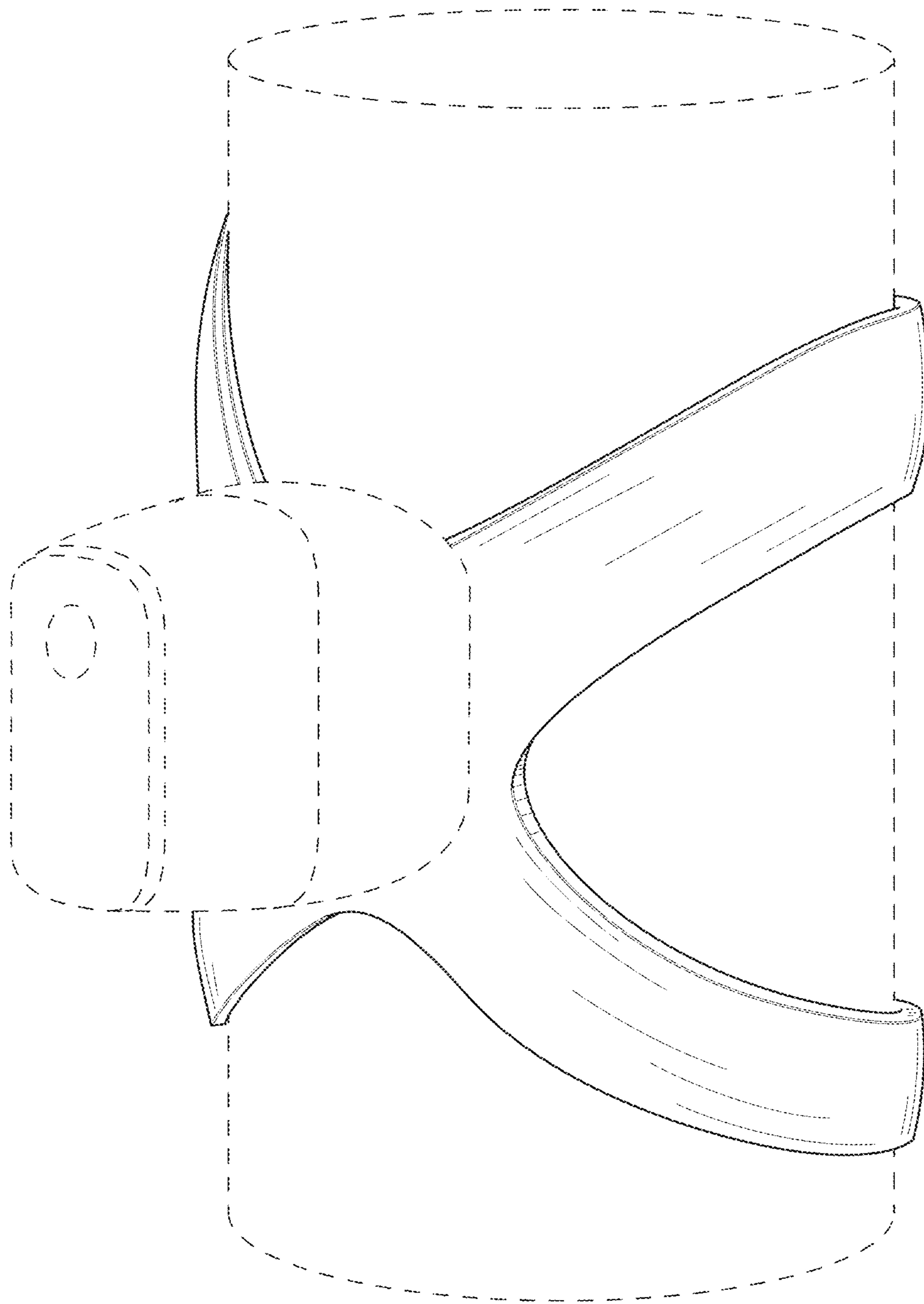


FIG. 9

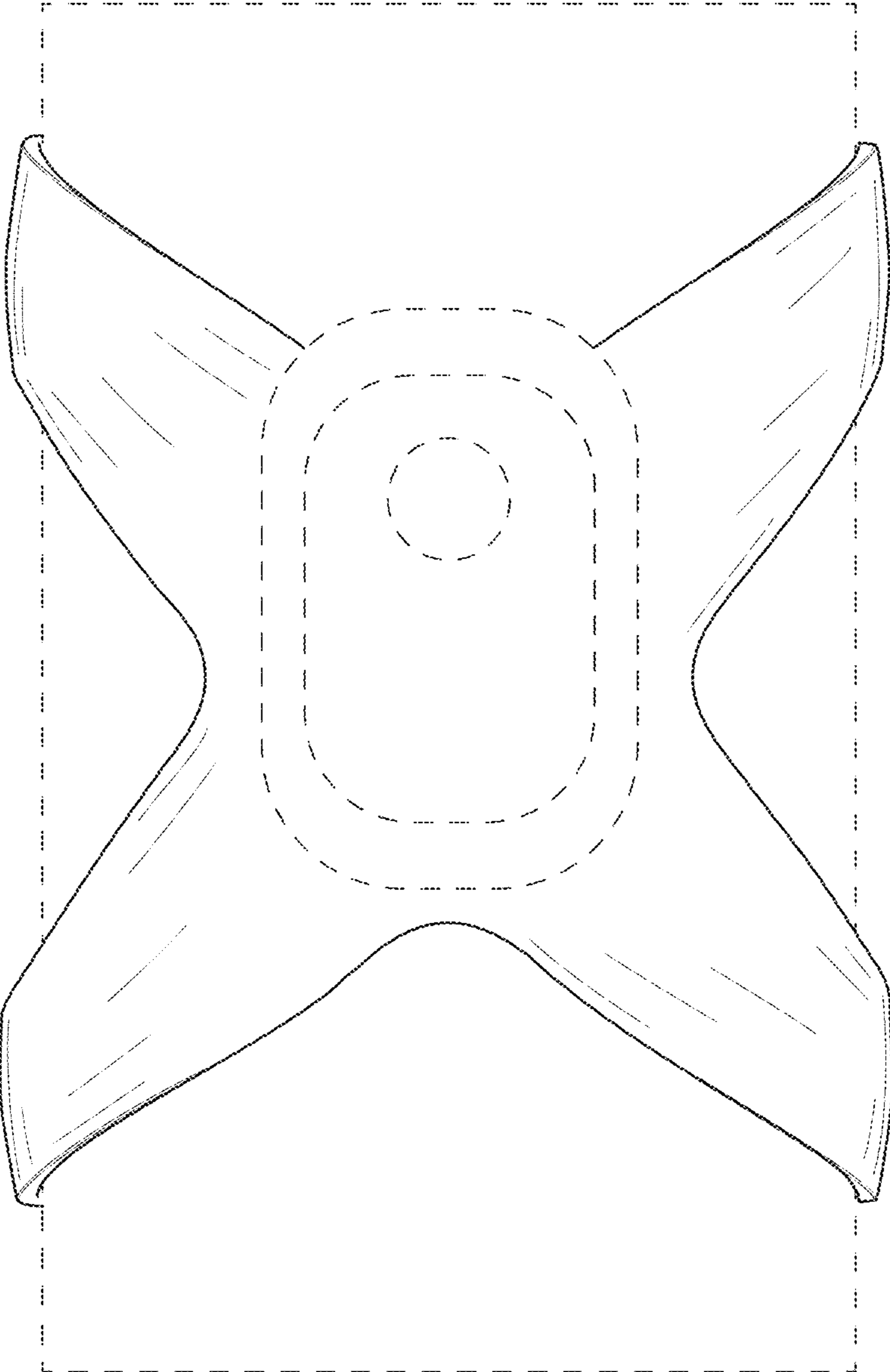


FIG. 10

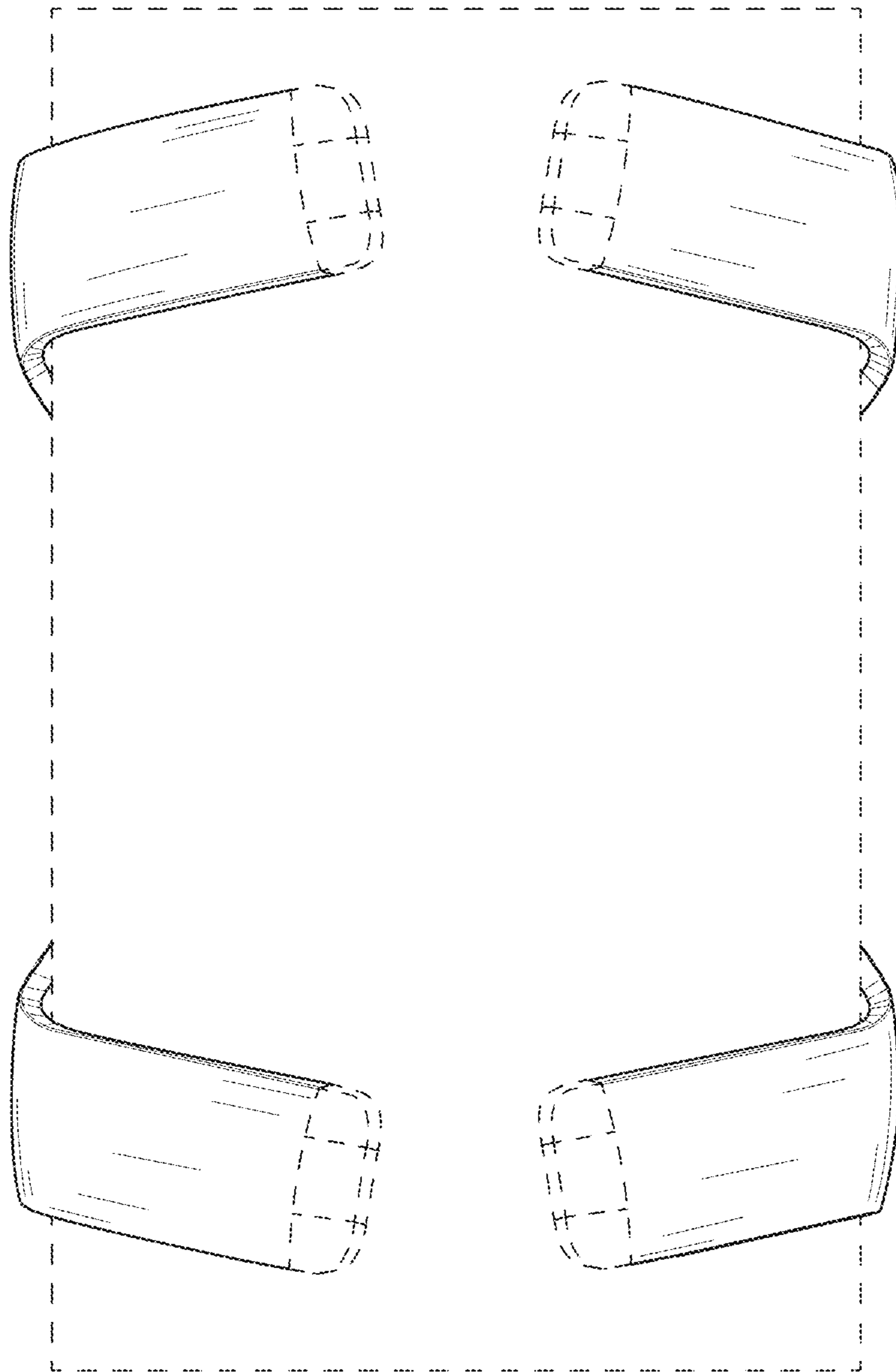


FIG. 11

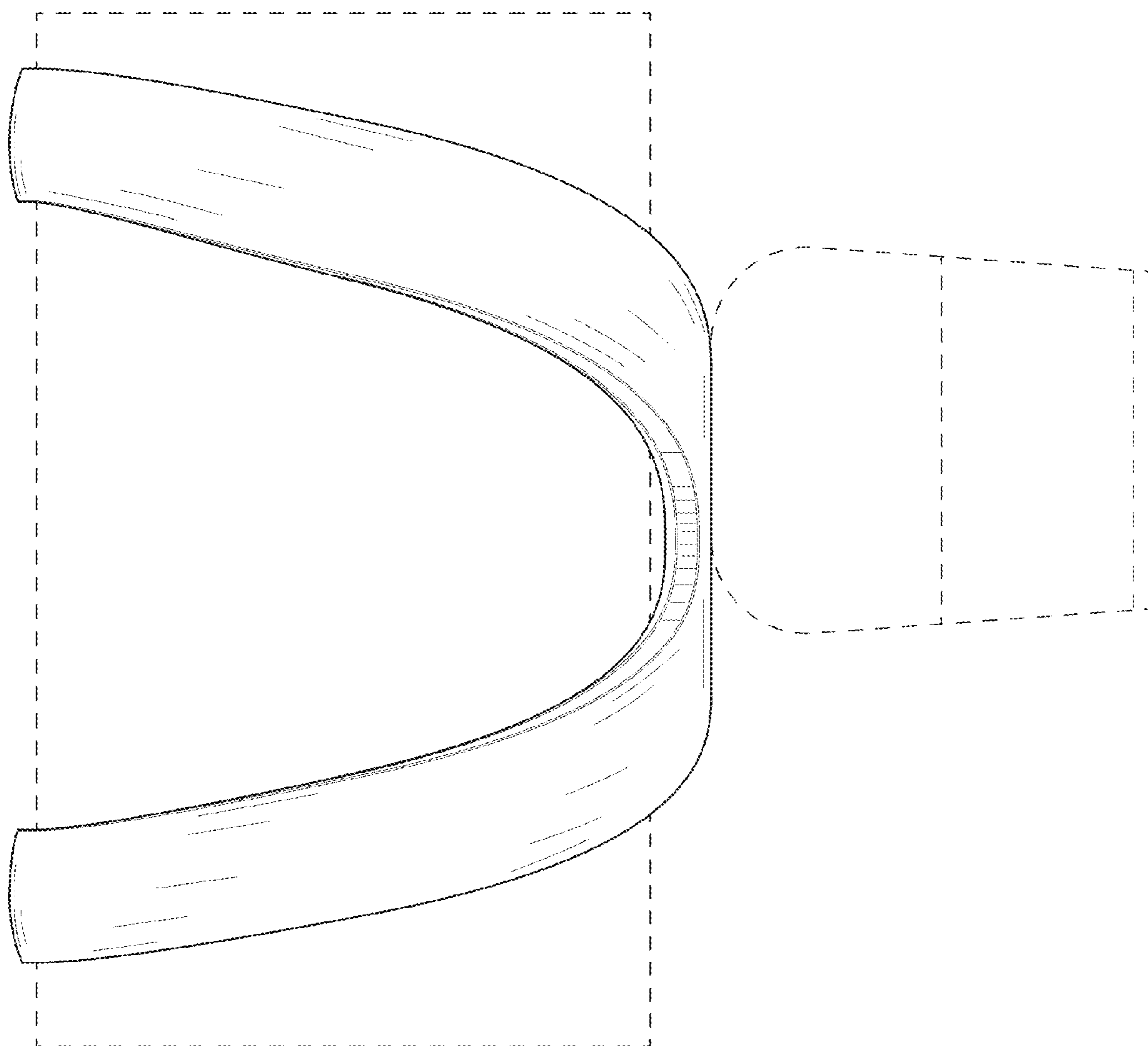


FIG. 12

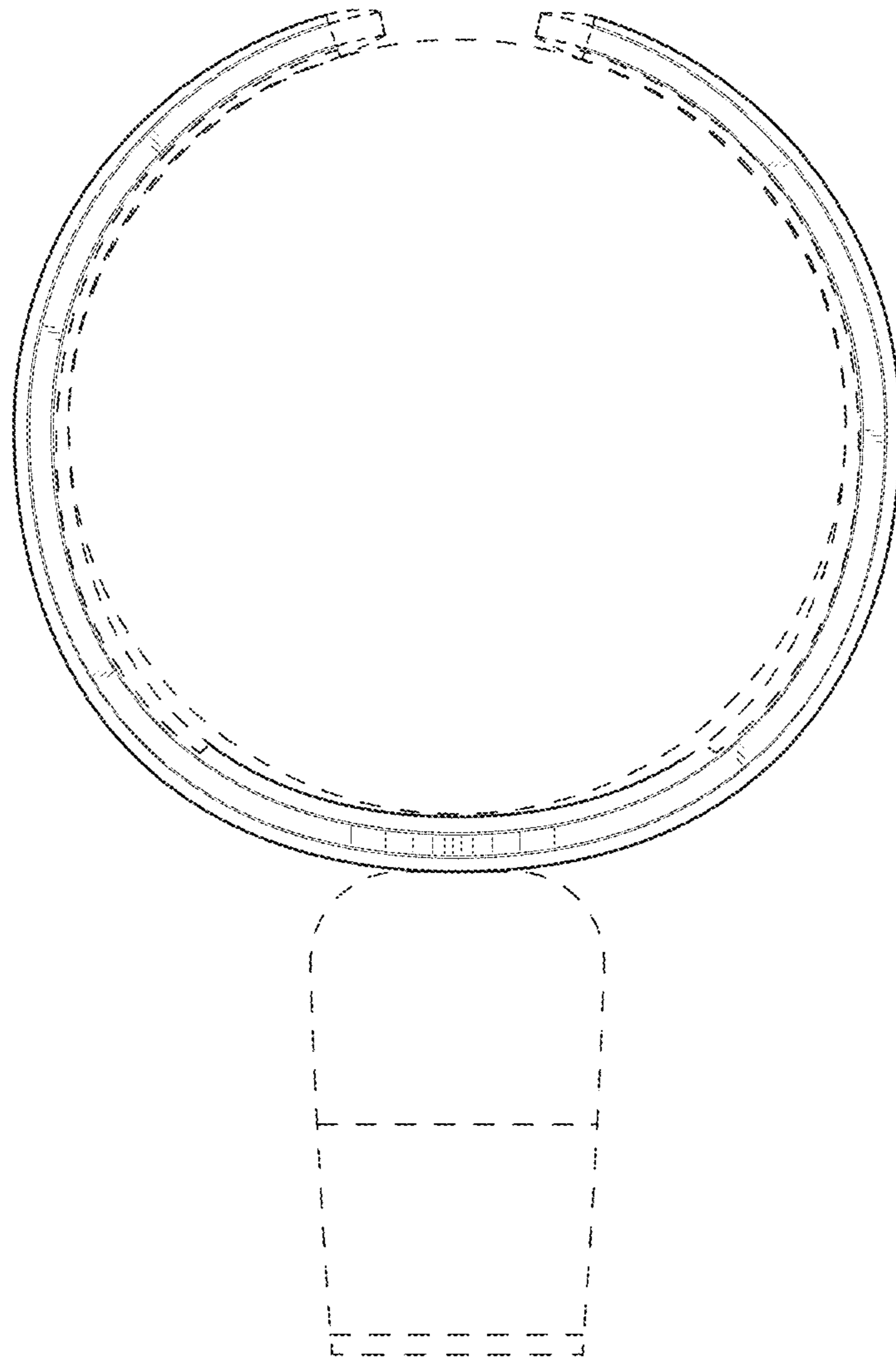


FIG. 13

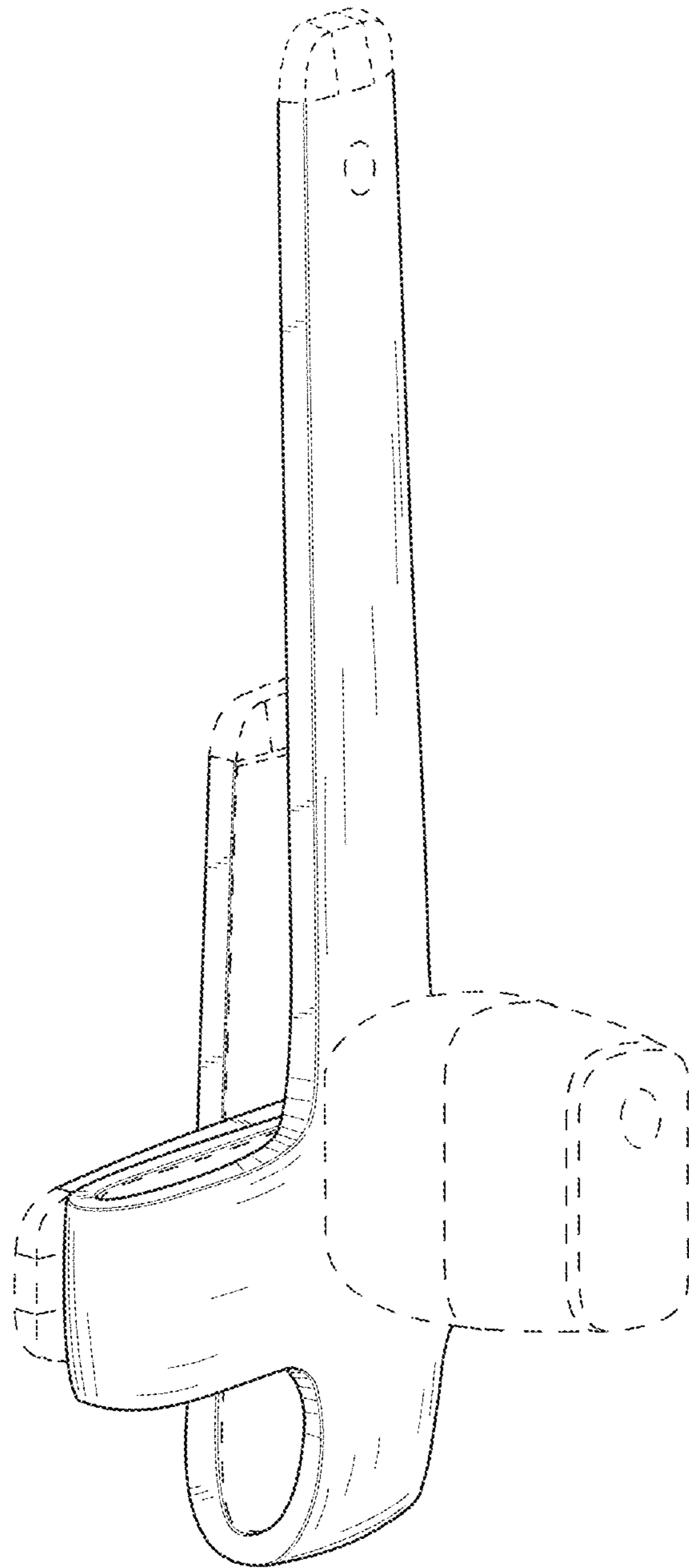


FIG. 14

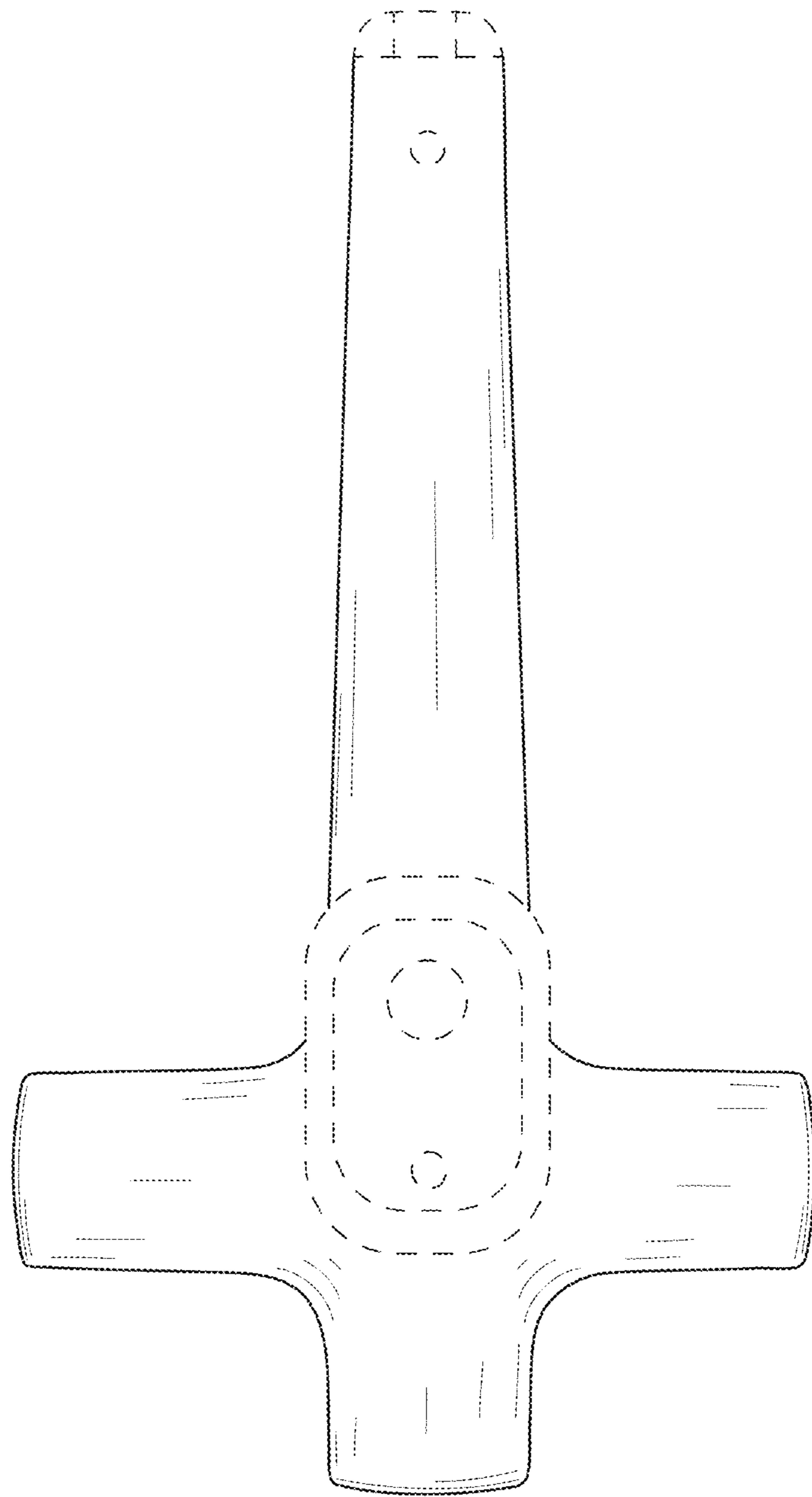


FIG. 15

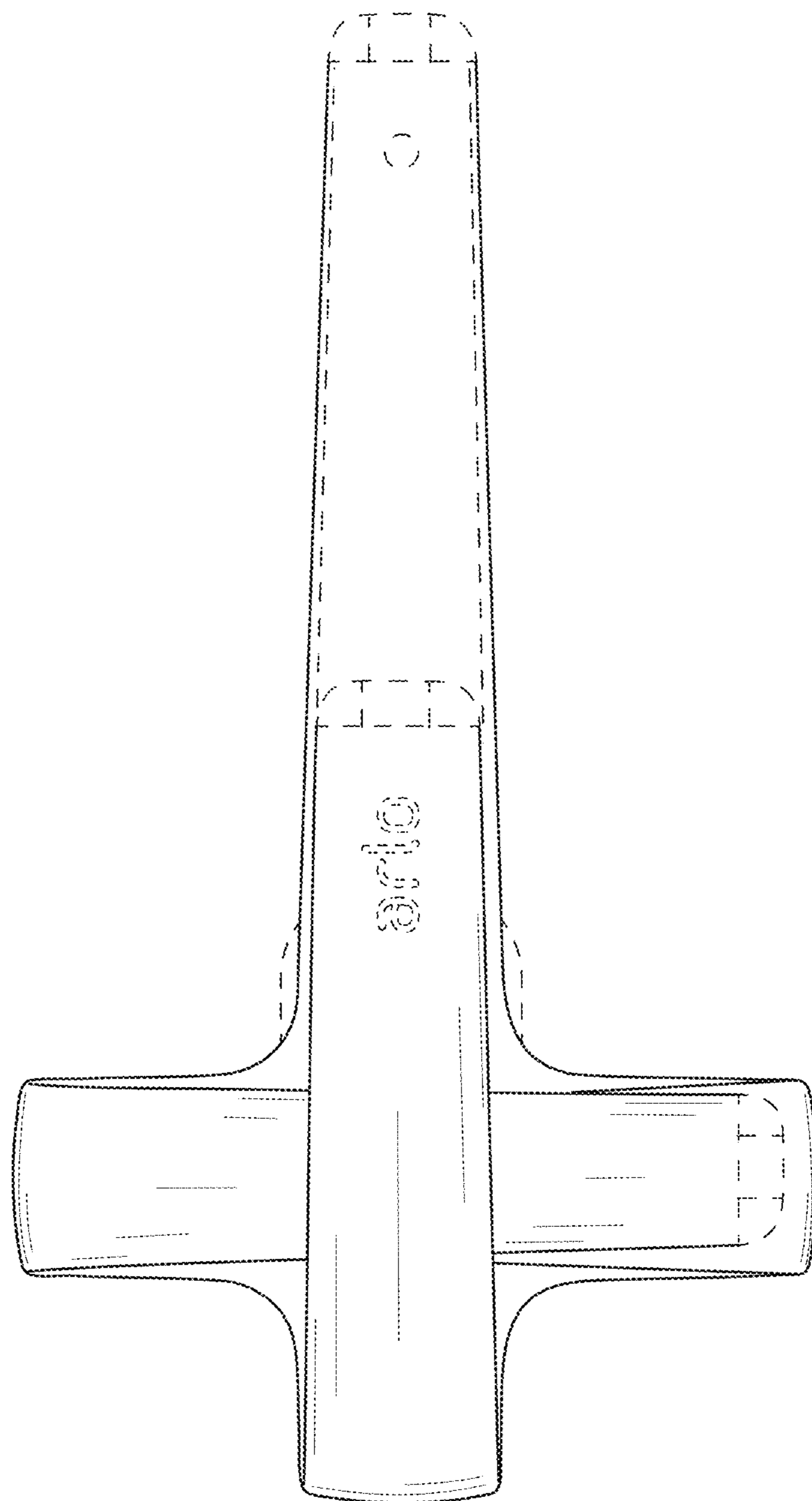


FIG. 16

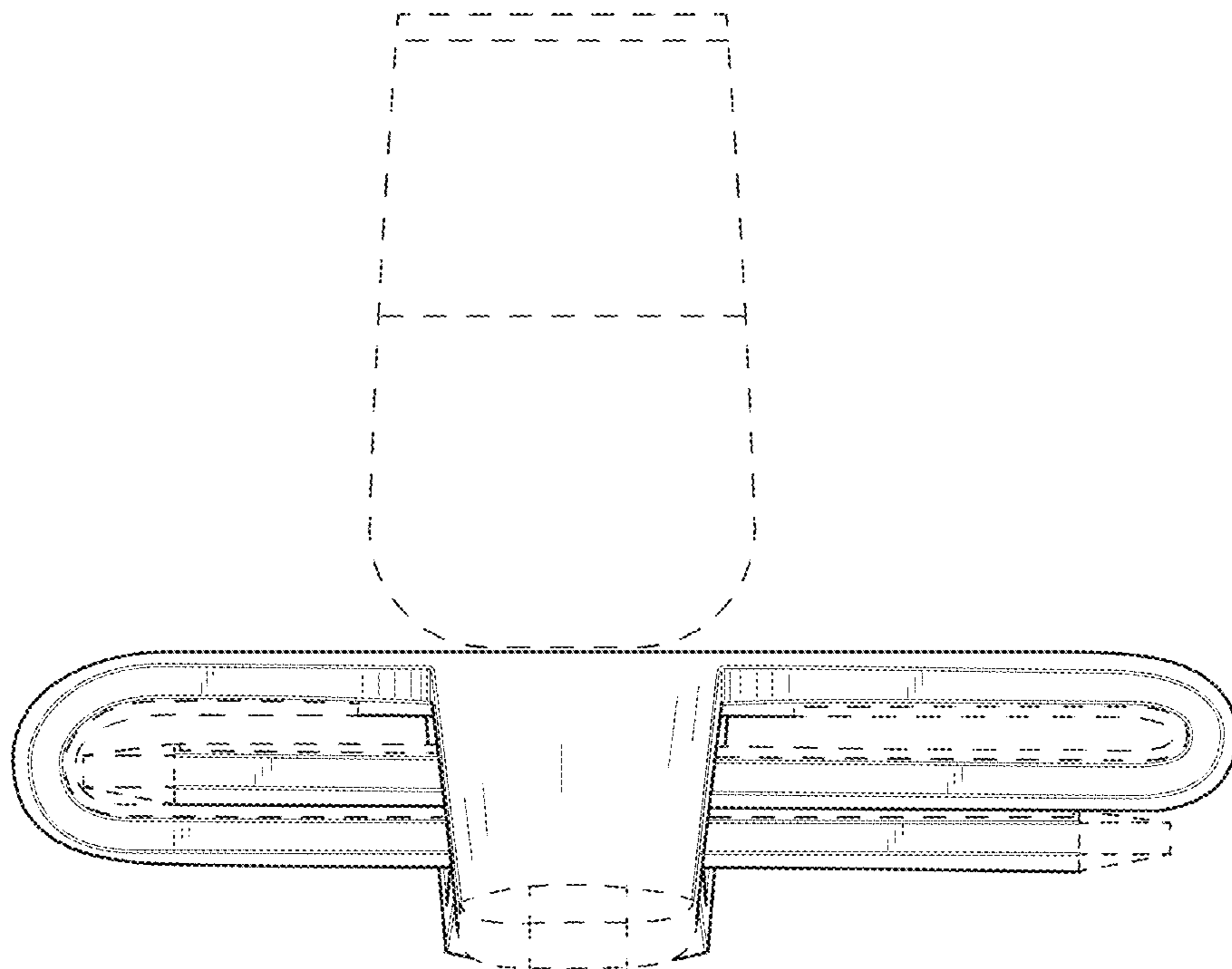


FIG. 17

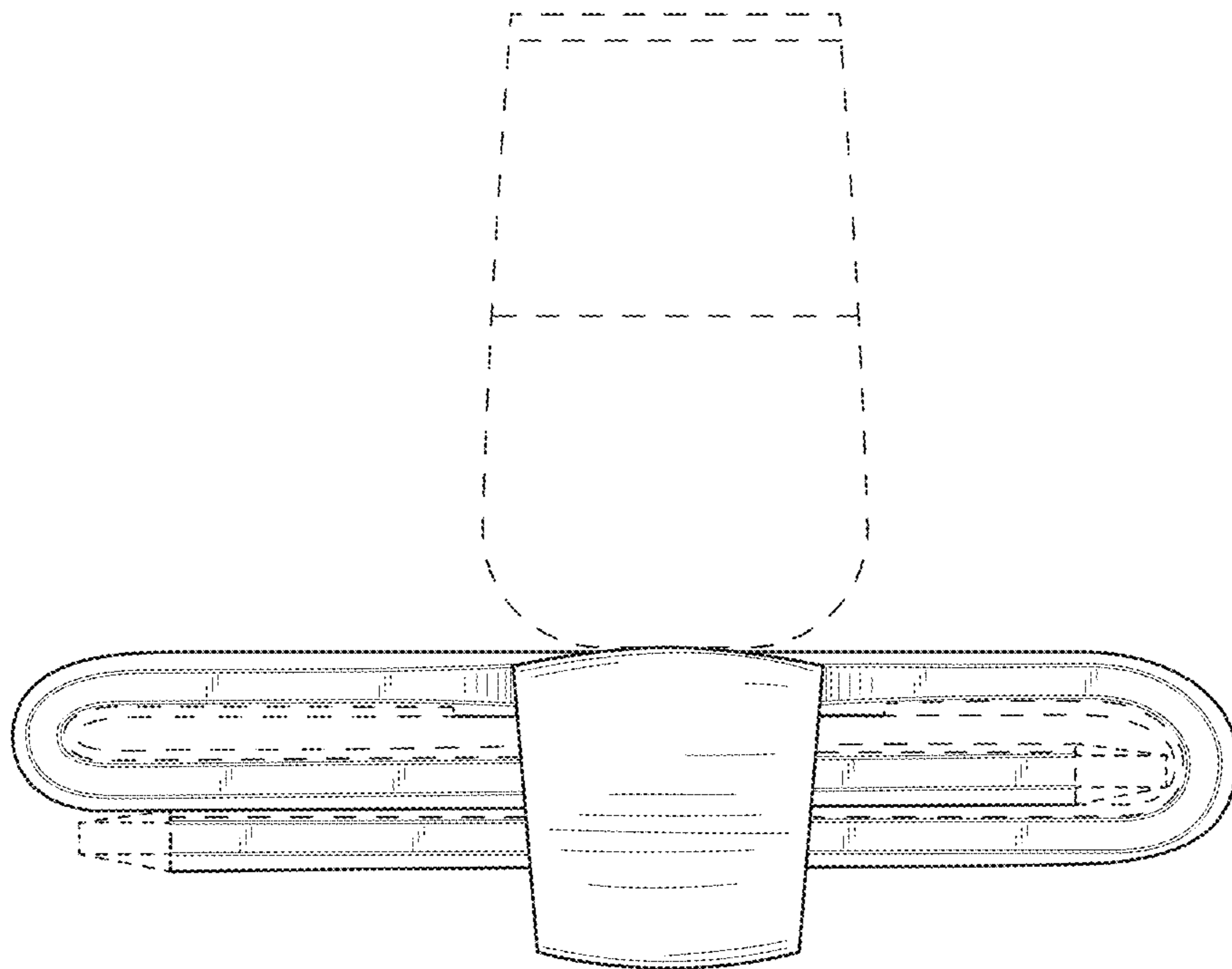


FIG. 18

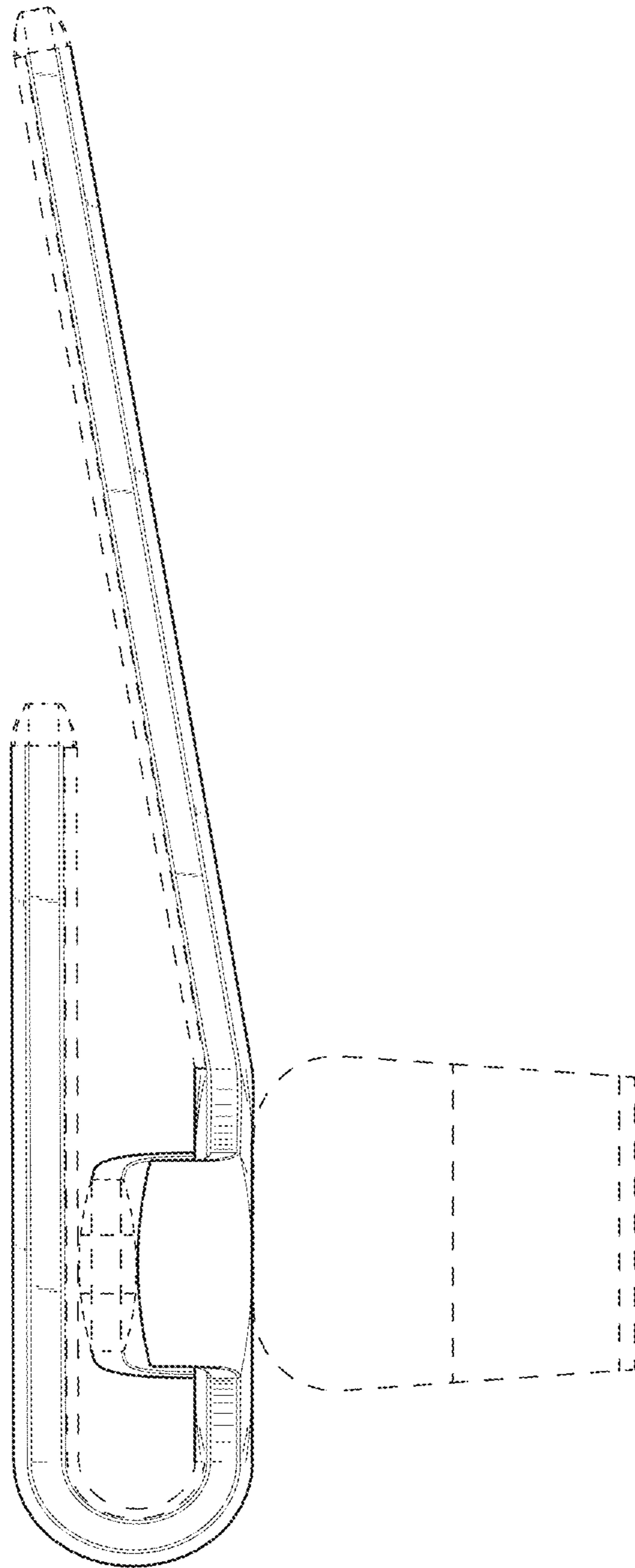


FIG. 19

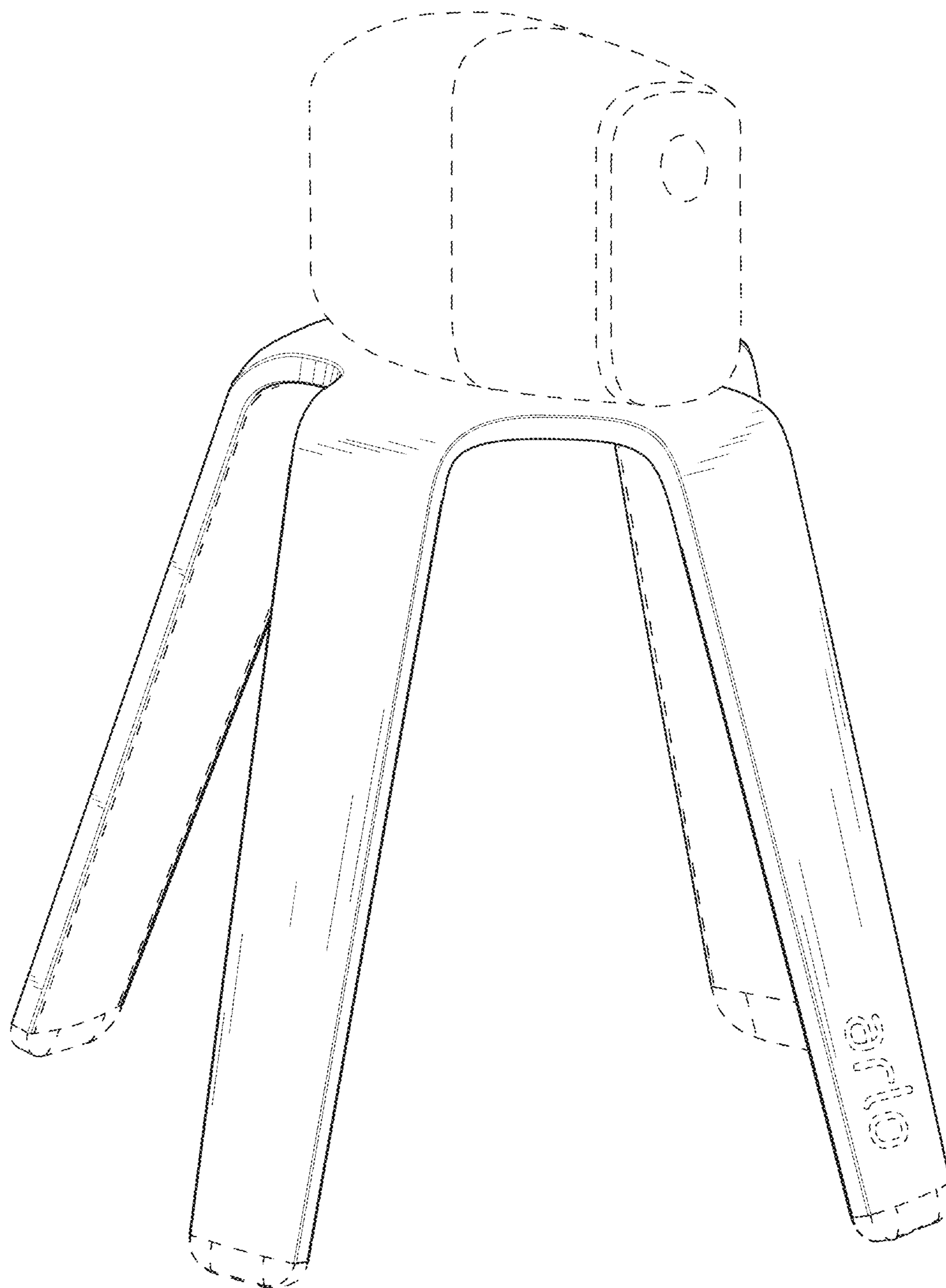


FIG. 20

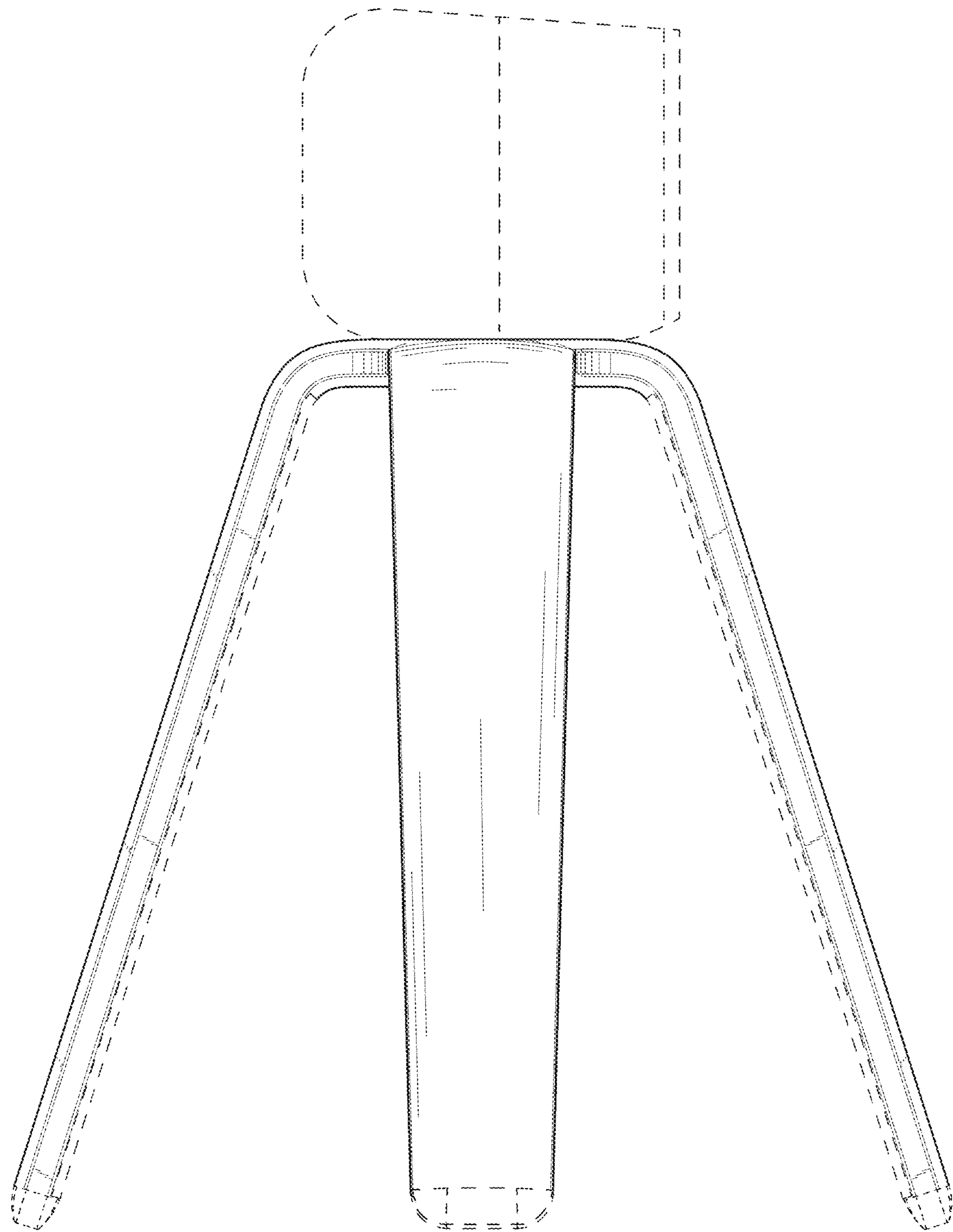


FIG. 21

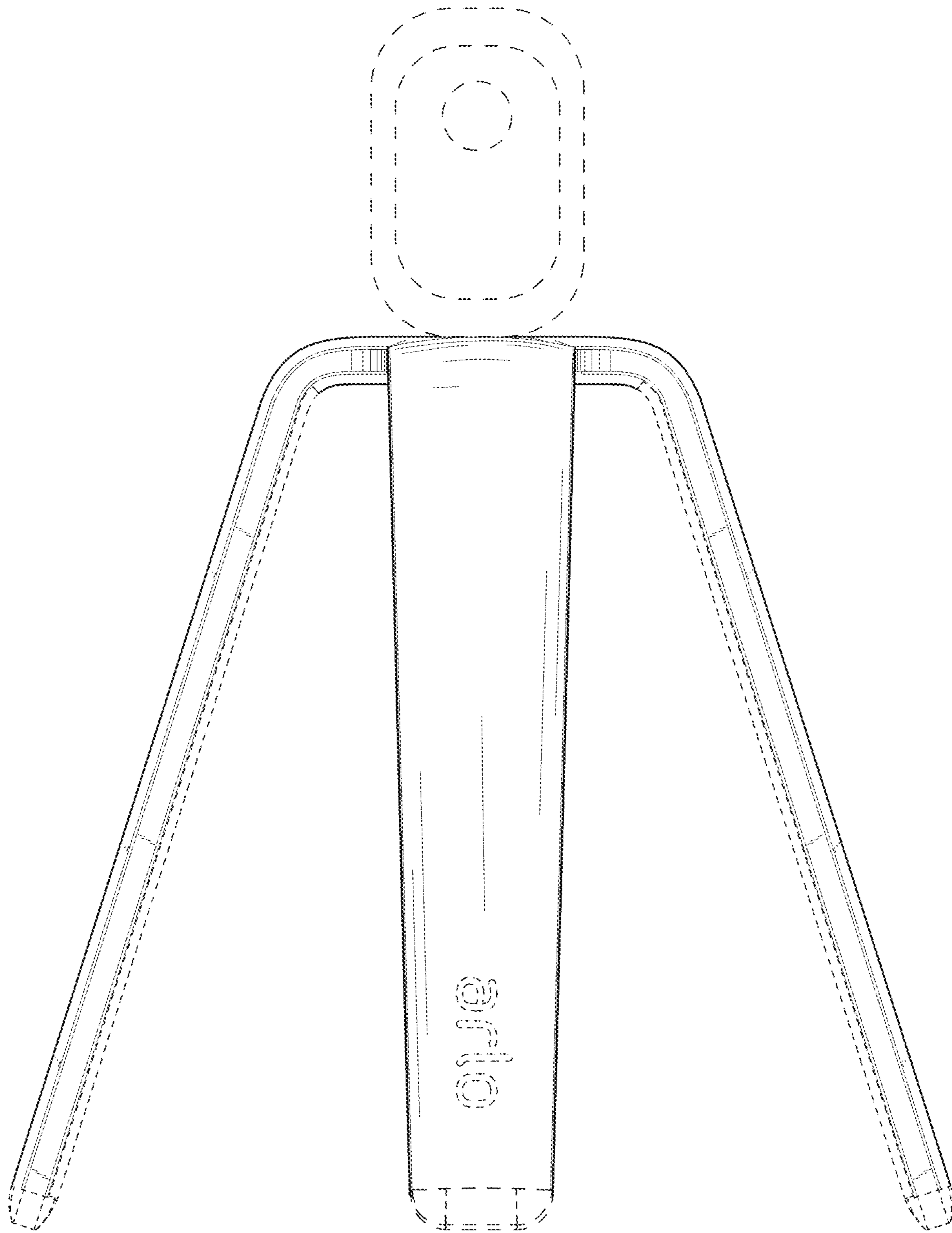


FIG. 22

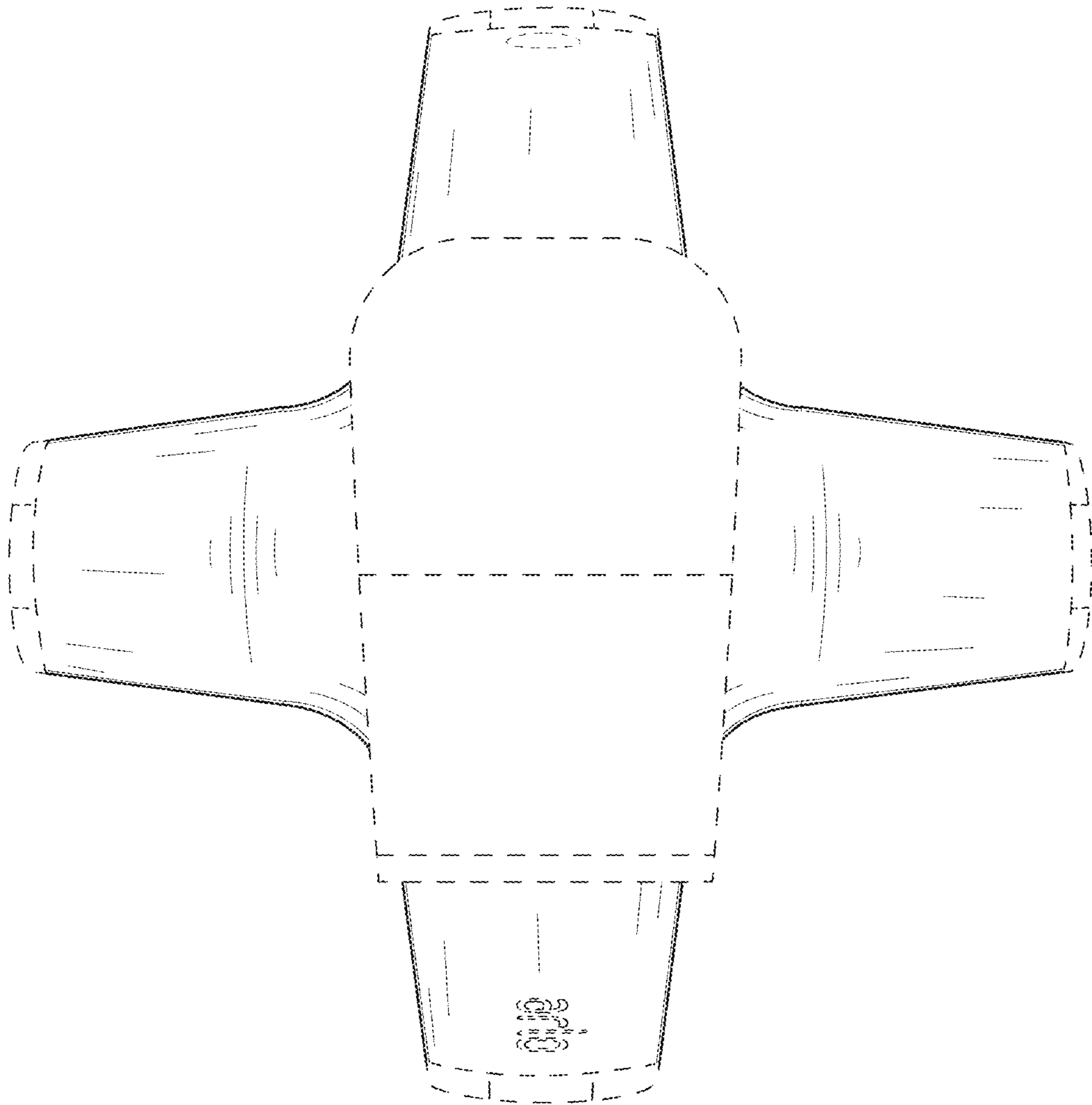


FIG. 23