



US00D870798S

(12) **United States Design Patent** (10) **Patent No.:** **US D870,798 S**
Yuyama et al. (45) **Date of Patent:** **** Dec. 24, 2019**

(54) **PROJECTOR**

- (71) Applicant: **Panasonic Intellectual Property Management Co., Ltd.**, Osaka-shi, Osaka (JP)
- (72) Inventors: **Keiji Yuyama**, Tokyo (JP); **Takashi Koyama**, Kanagawa (JP); **So Suzuki**, Tokyo (JP)
- (73) Assignee: **Panasonic Intellectual Property Management Co., Ltd.**, Osaka (JP)
- (**) Term: **15 Years**
- (21) Appl. No.: **29/668,173**
- (22) Filed: **Oct. 29, 2018**

(30) **Foreign Application Priority Data**

- Oct. 12, 2018 (JP) 2018-022372
- (51) **LOC (12) Cl.** **16-02**
- (52) **U.S. Cl.**
USPC **D16/230**
- (58) **Field of Classification Search**
USPC D16/221, 225, 230-231; D21/514; 363/115, 119
CPC G03B 21/145; G03B 21/14; G03B 21/00; G03B 21/001; G03B 21/003; G03B 21/12; G03B 21/16
- See application file for complete search history.

(56) **References Cited**

U.S. PATENT DOCUMENTS

- D565,630 S * 4/2008 Morishita D16/225
D658,699 S * 5/2012 Azuma D16/225
D691,188 S * 10/2013 Yuyama D16/225
D738,949 S 9/2015 Okamoto et al.
D822,752 S * 7/2018 Yuyama D16/230

* cited by examiner

Primary Examiner — Wan Laymon

(74) *Attorney, Agent, or Firm* — Brinks Gilson & Lione

(57) **CLAIM**

We claim the ornamental design for a projector, as shown and described.

DESCRIPTION

FIG. 1 is a front perspective view of a projector of the present invention;
FIG. 2 is a rear perspective view of thereof;
FIG. 3 is a front view thereof;
FIG. 4 is a rear view thereof;
FIG. 5 is a first side view thereof;
FIG. 6 is a second side view thereof;
FIG. 7 is a top view thereof;
FIG. 8 is a bottom view thereof; and,
FIG. 9 is a cross-sectional view thereof taken along lines 9-9 in FIG. 3.

The broken lines show parts of the frame unit for the projector that represent unclaimed subject matter and form no part of the claimed design.

1 Claim, 9 Drawing Sheets

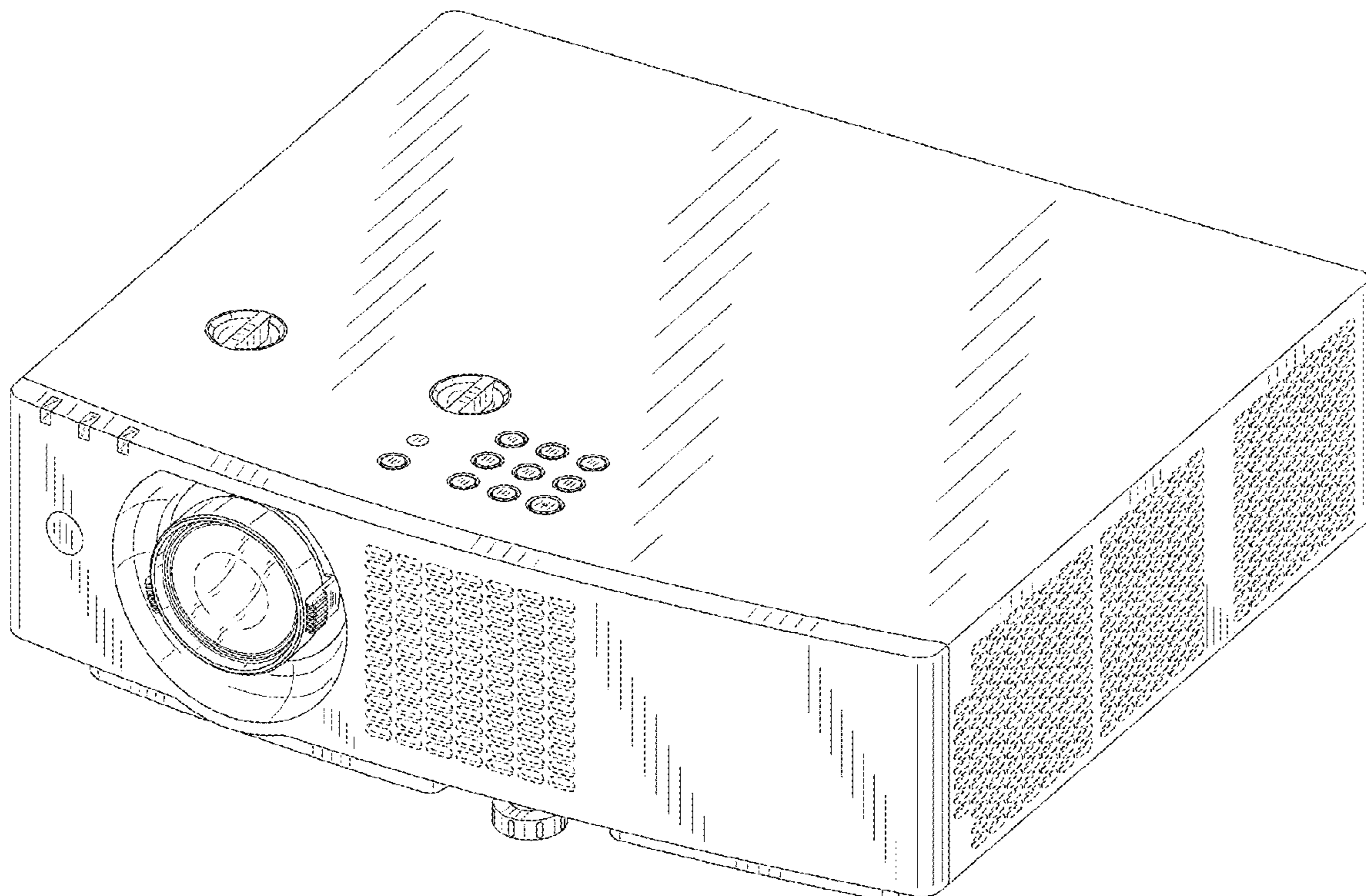


FIG. 1

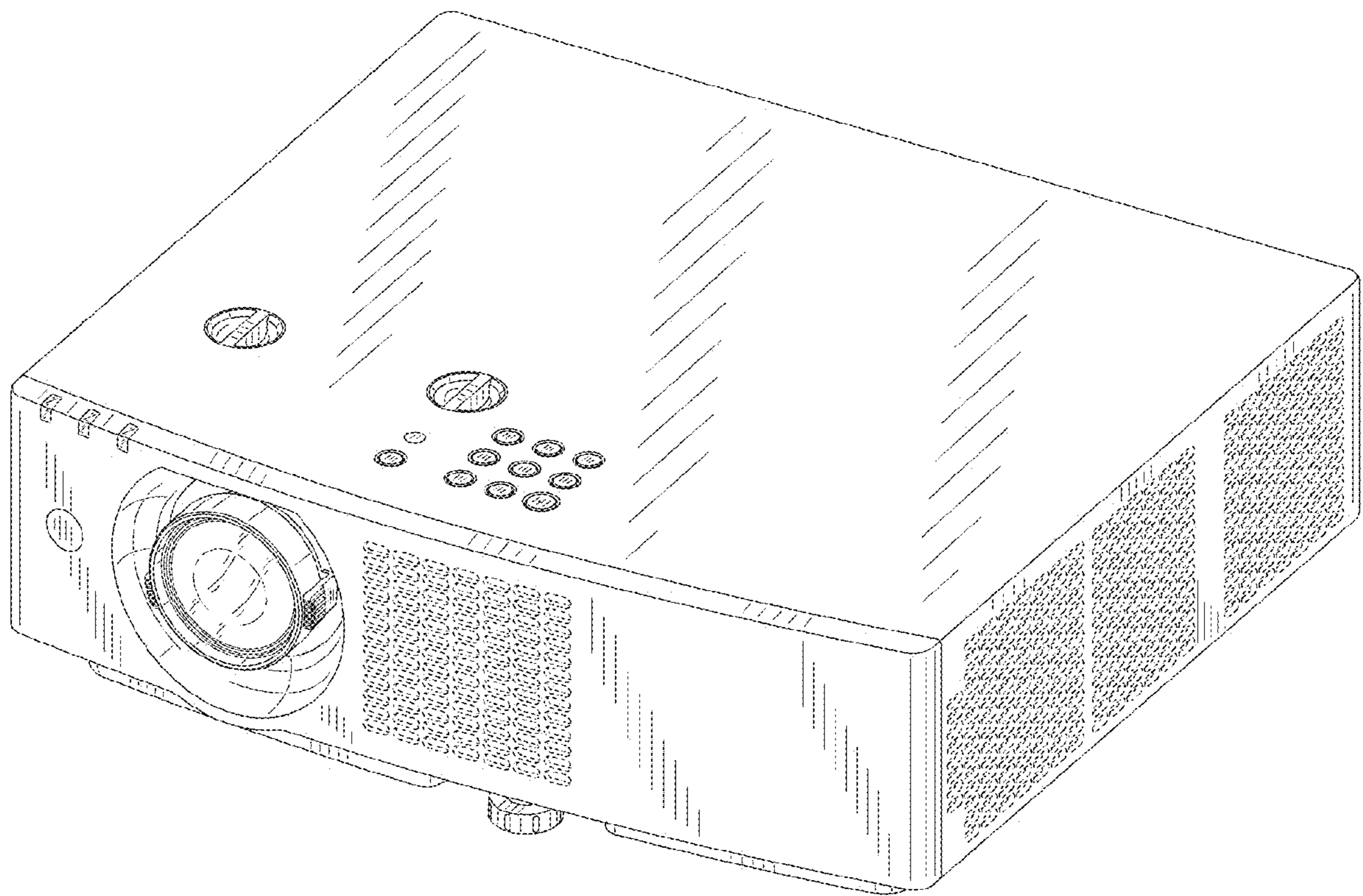


FIG. 2

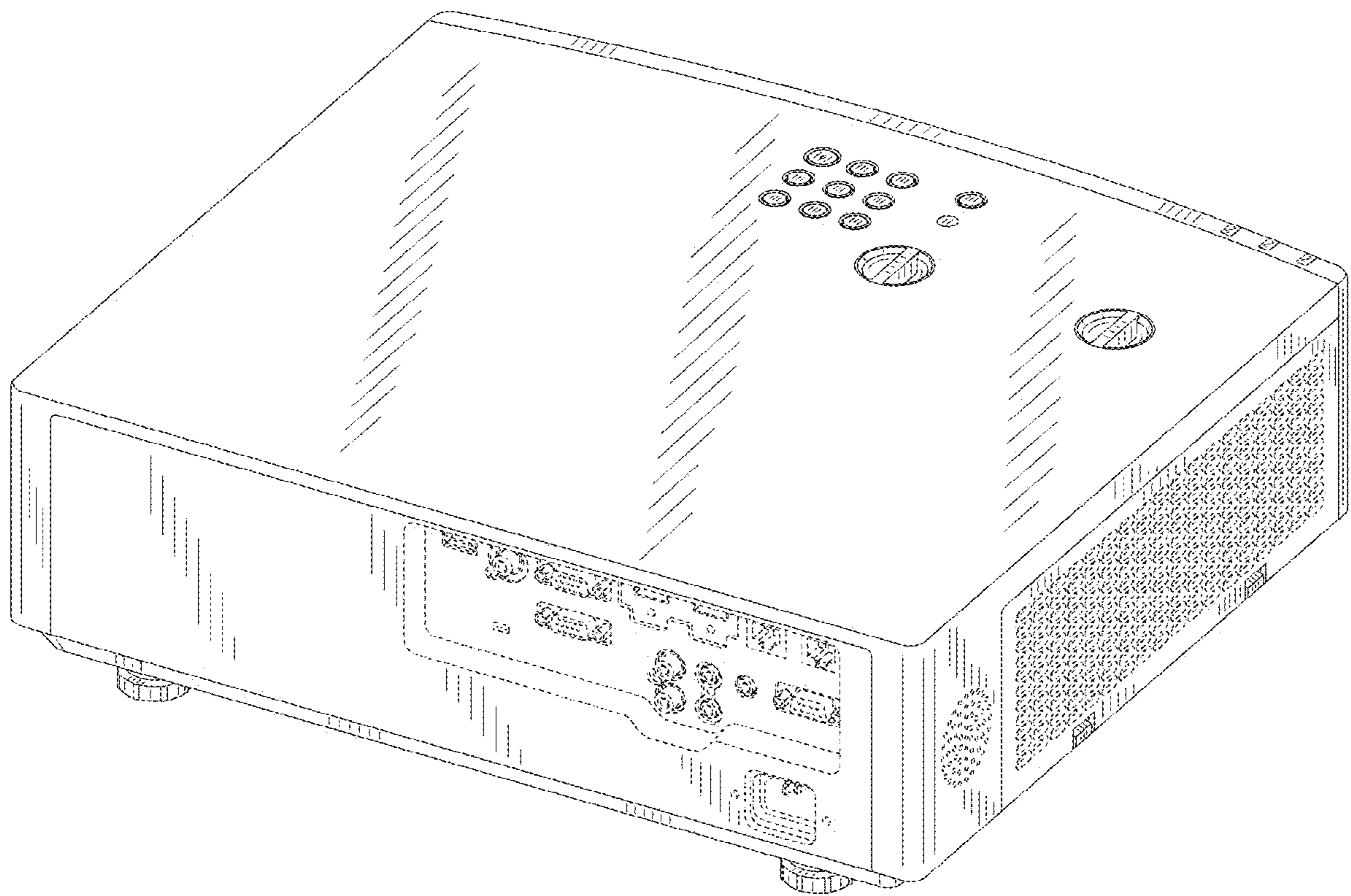


FIG. 3

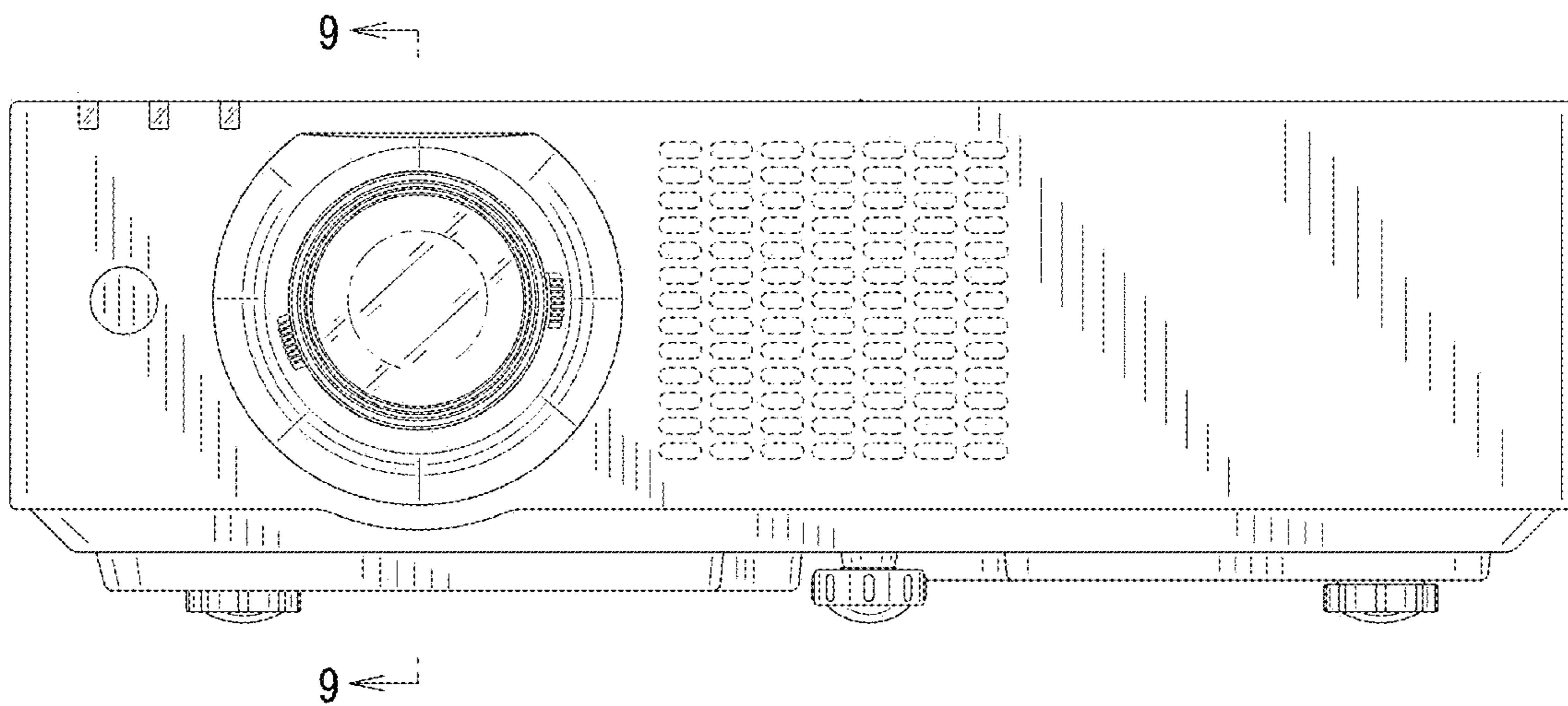


FIG. 4

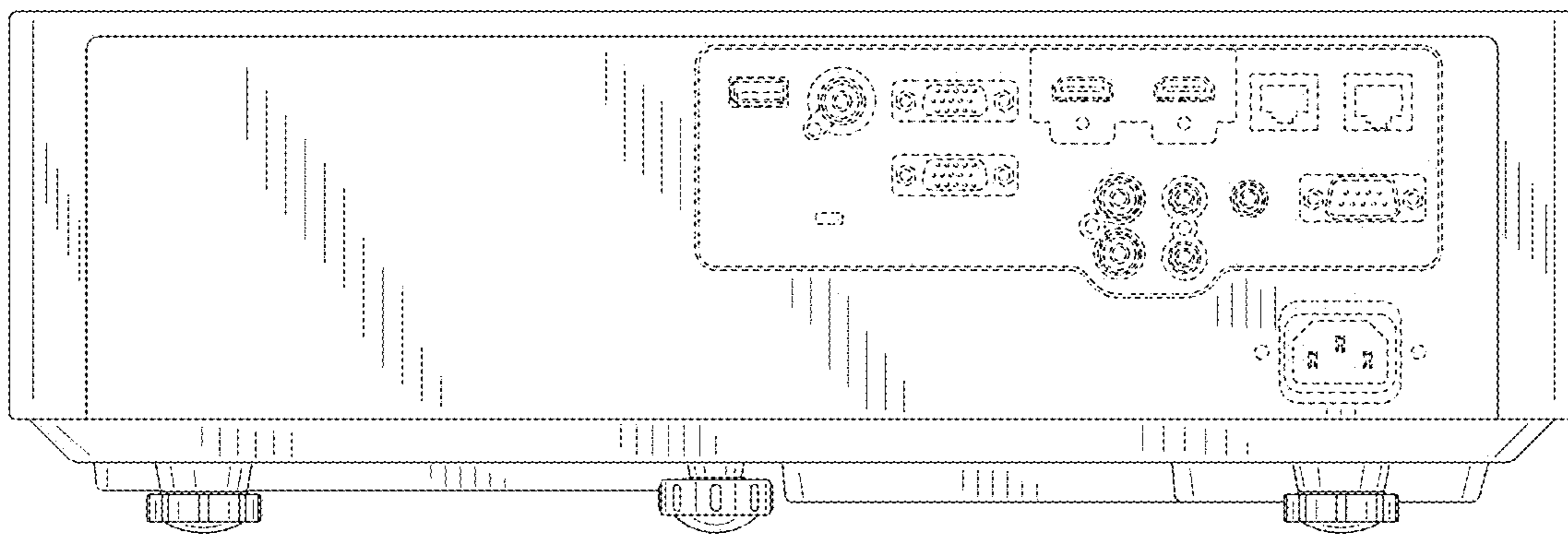


FIG. 5

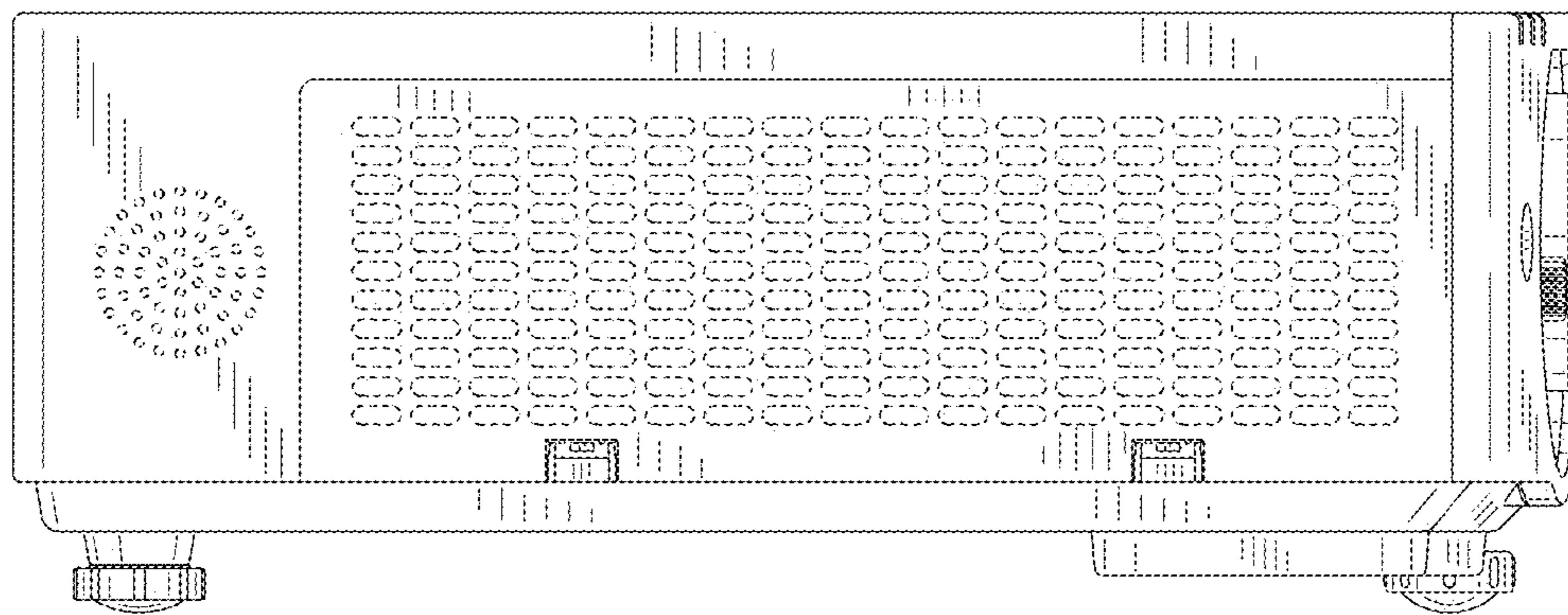


FIG. 6

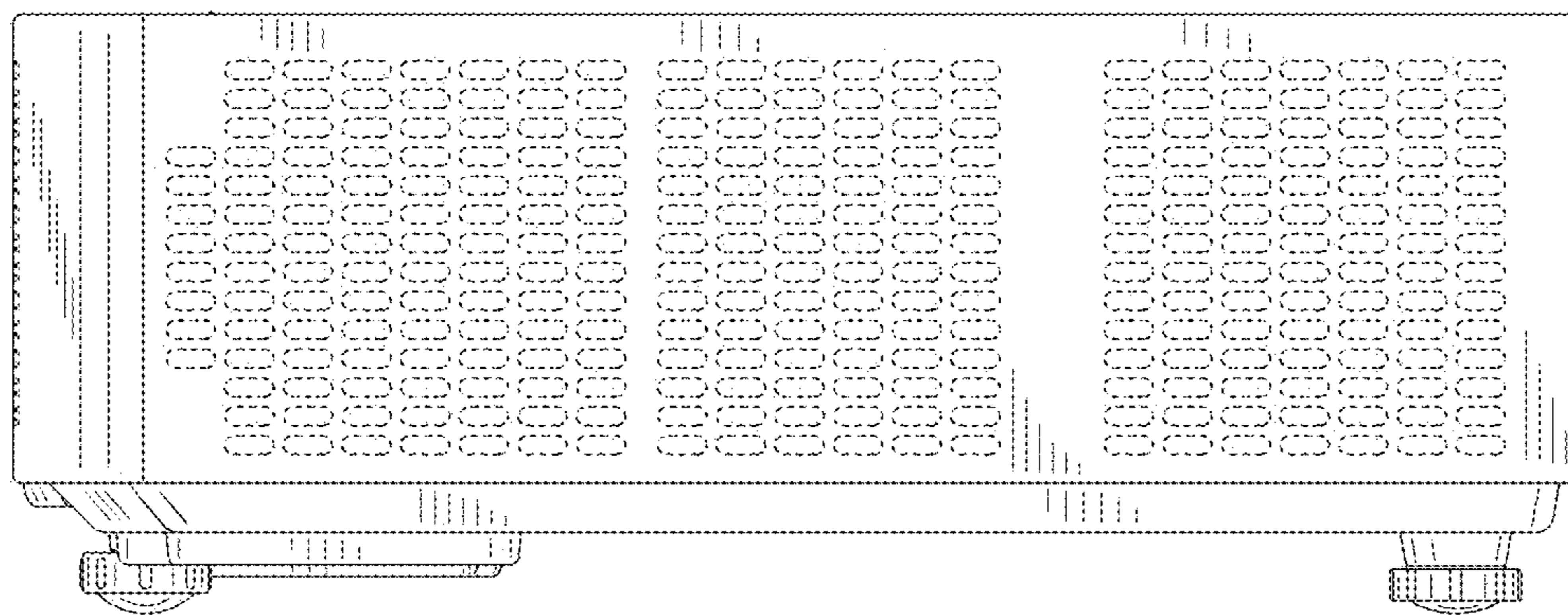


FIG. 7

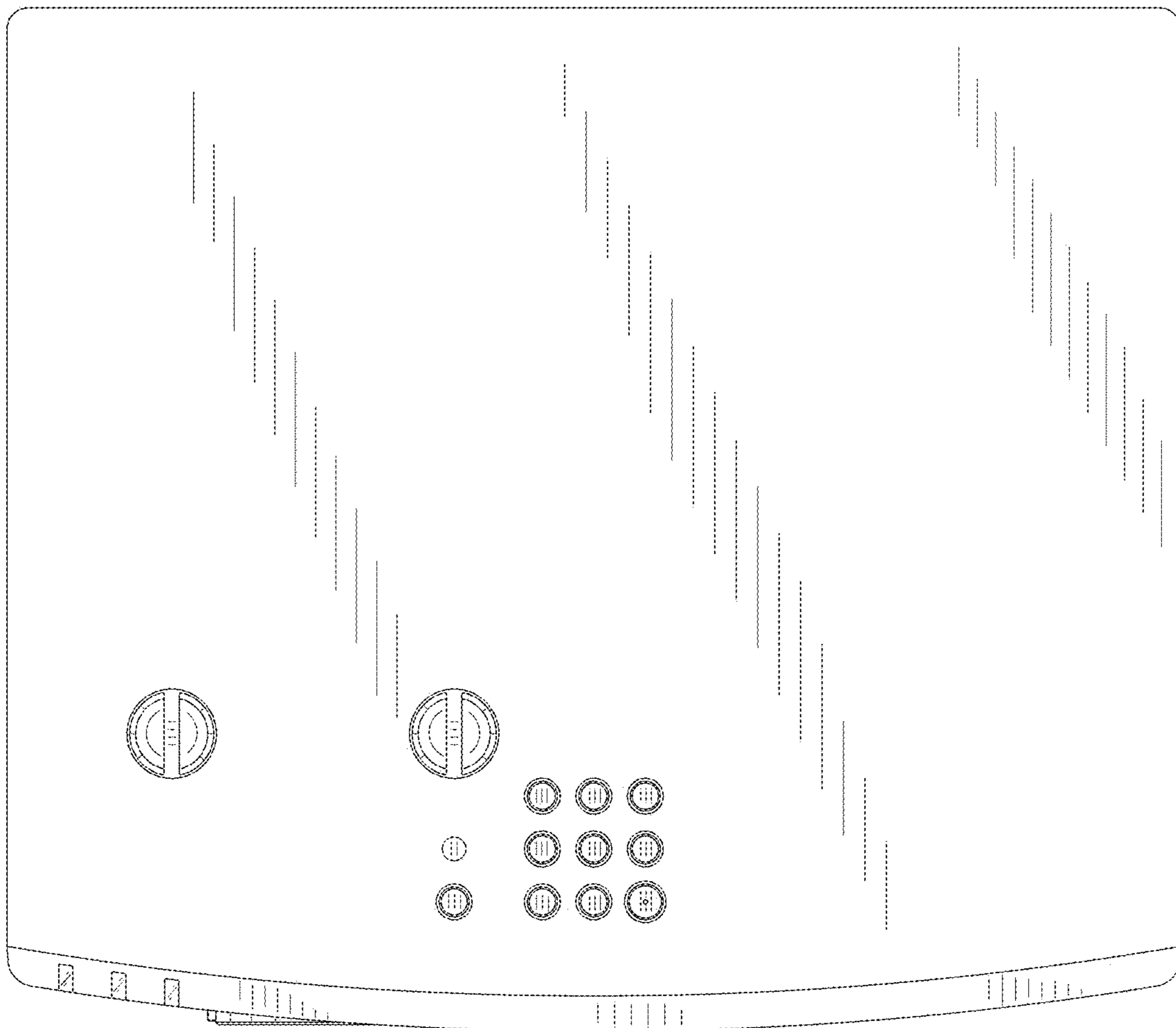


FIG. 8

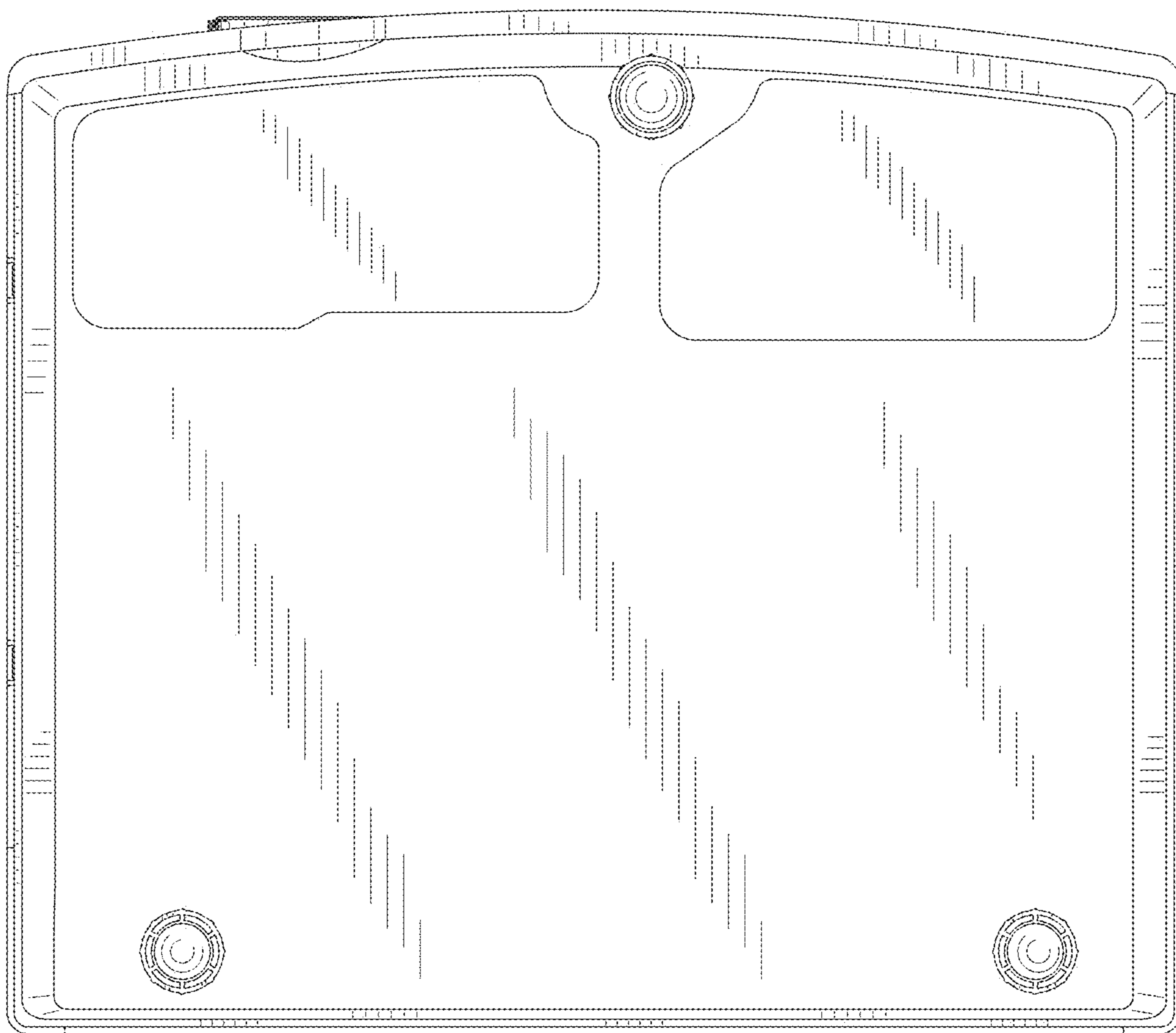


FIG. 9

