



US00D870796S

(12) **United States Design Patent** (10) **Patent No.:** **US D870,796 S**  
**Lin** (45) **Date of Patent:** **\*\* Dec. 24, 2019**

(54) **THERMAL IMAGER FOR TEMPERATURE MEASUREMENT**

D720,632 S \* 1/2015 Lavoie ..... D10/49  
D786,331 S \* 5/2017 van Hoff ..... D16/219  
2016/0073081 A1\* 3/2016 Becker ..... G06T 7/48  
348/43

(71) Applicant: **Hangzhou Hikvision Digital Technology Co., Ltd., Zhejiang (CN)**

\* cited by examiner

(72) Inventor: **Dingsong Lin, Zhejiang (CN)**

*Primary Examiner* — Antoine Duval Davis

(73) Assignee: **Hangzhou Hikvision Digital Technology Co., Ltd. (CN)**

(74) *Attorney, Agent, or Firm* — Mark E. Bandy; Rankin, Hill & Clark LLP

(\*\*) Term: **15 Years**

(57) **CLAIM**

(21) Appl. No.: **29/664,249**

The ornamental design for a thermal imager for temperature measurement, as shown and described.

(22) Filed: **Sep. 24, 2018**

(30) **Foreign Application Priority Data**

**DESCRIPTION**

Jun. 15, 2018 (CN) ..... 2018 3 0308639

(51) **LOC (12) Cl.** ..... **16-05**

(52) **U.S. Cl.**  
USPC ..... **D16/219; D10/52**

(58) **Field of Classification Search**  
USPC ..... D10/52; D16/219  
CPC .. G01J 5/026; G01J 5/0265; G01J 2005/0077;  
H04N 5/33; H04N 5/217; H04N 5/2252;  
H04N 5/332; H04N 5/335  
See application file for complete search history.

FIG. 1 is a front view of a thermal imager for temperature measurement of my new design;  
FIG. 2 is a left view of the thermal imager for temperature measurement shown in FIG. 1;  
FIG. 3 is a right view of the thermal imager for temperature measurement shown in FIG. 1;  
FIG. 4 is a top view of the thermal imager for temperature measurement shown in FIG. 1;  
FIG. 5 is a bottom view of the thermal imager for temperature measurement shown in FIG. 1;  
FIG. 6 is a back view of the thermal imager for temperature measurement shown in FIG. 1; and,  
FIG. 7 is a perspective view of the thermal imager for temperature measurement shown in FIG. 1.

(56) **References Cited**

**U.S. PATENT DOCUMENTS**

D524,785 S \* 7/2006 Huang ..... D14/138 AB

**1 Claim, 6 Drawing Sheets**



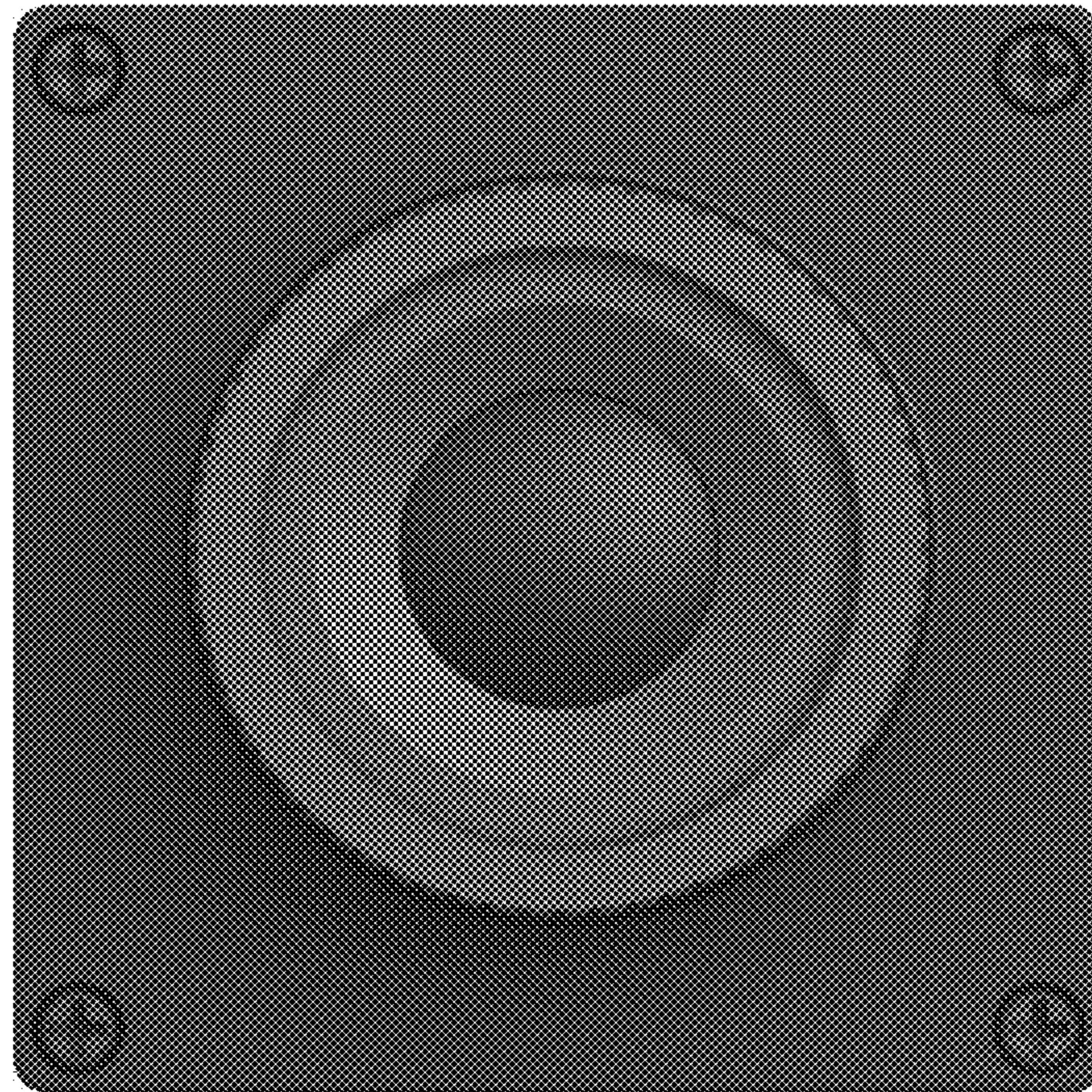


FIG. 1

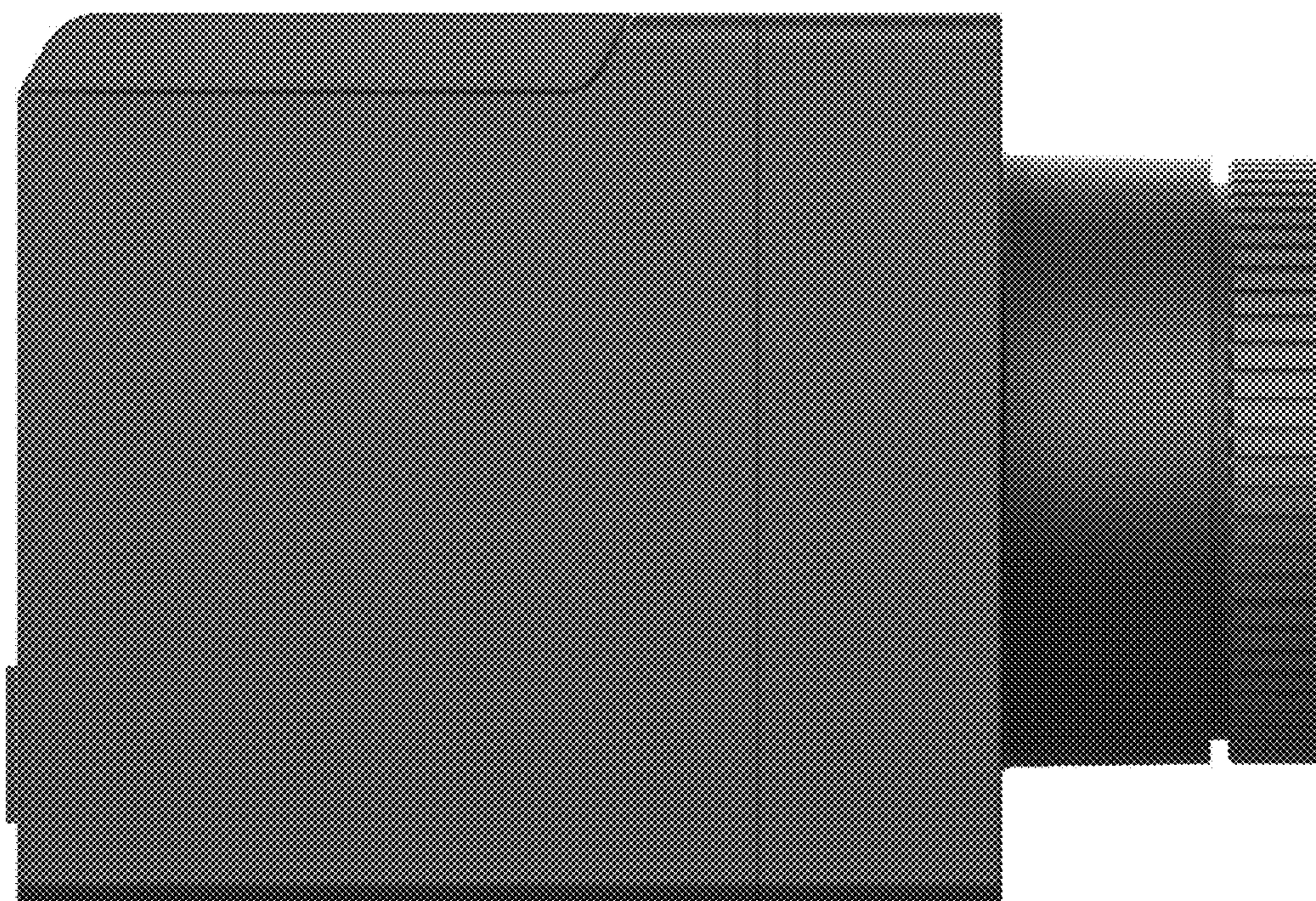


FIG. 2

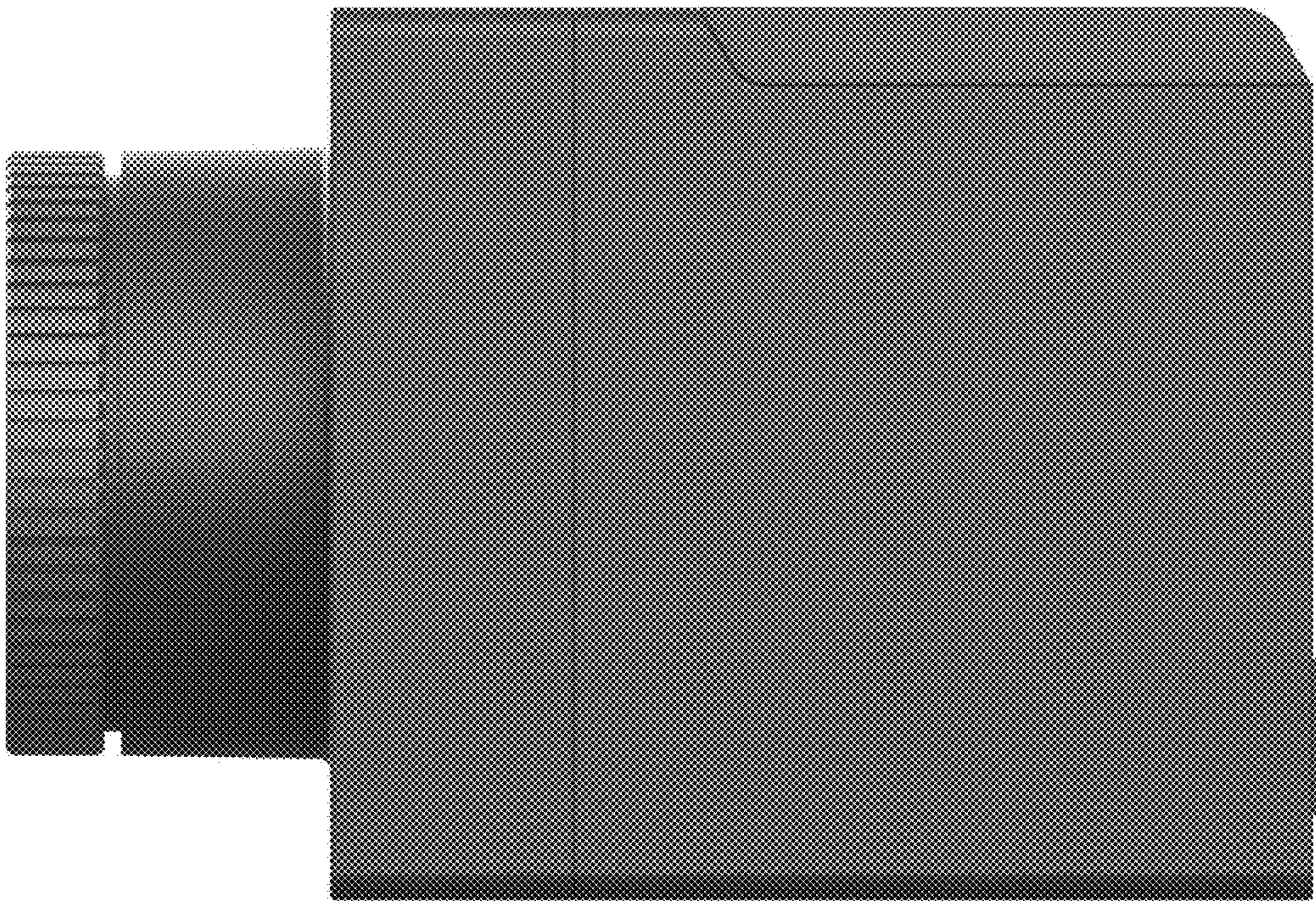


FIG. 3



FIG. 4



FIG. 5

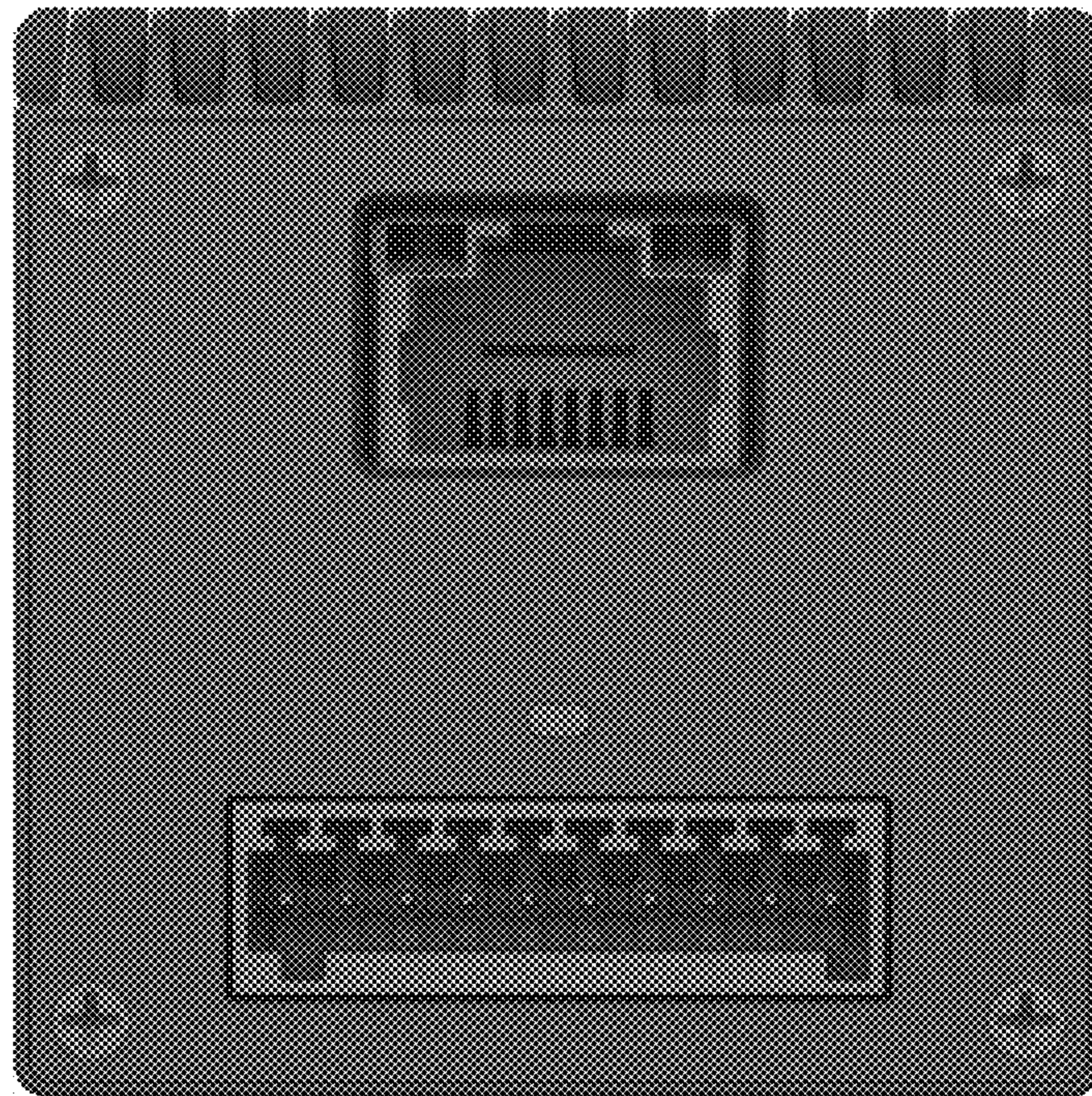


FIG. 6



FIG. 7