



US00D870795S

(12) **United States Design Patent** (10) **Patent No.:** **US D870,795 S**  
**Okayasu et al.** (45) **Date of Patent:** **\*\* Dec. 24, 2019**

(54) **VARIABLE FOCAL LENGTH LENS**  
(71) Applicant: **MITUTOYO CORPORATION**,  
Kanagawa (JP)  
(72) Inventors: **Masaki Okayasu**, Tokyo (JP);  
**Masafumi Yamanaka**, Kawasaki (JP);  
**Isaiah Freerksen**, Bothell, WA (US);  
**Masanori Arai**, Kawasaki (JP);  
**Tatsuya Nagahama**, Kawasaki (JP);  
**Shigeru Ohtani**, Kawasaki (JP); **Yu**  
**Sugai**, Hadano (JP); **Yoshiro Asano**,  
Tokyo (JP)

(73) Assignee: **MITUTOYO CORPORATION**,  
Kanagawa (JP)

(\*\*) Term: **15 Years**

(21) Appl. No.: **29/658,259**

(22) Filed: **Jul. 30, 2018**

(51) **LOC (12) Cl.** ..... **16-05**

(52) **U.S. Cl.**  
USPC ..... **D16/219**

(58) **Field of Classification Search**  
USPC ..... D16/134, 136, 200, 202–205, 218, 219,  
D16/235, 242; 348/373–376;  
359/826–828; 396/529–532, 535,  
396/539–541  
CPC ..... G03B 17/02; G03B 19/04; G03B 17/56;  
G03B 17/04; G03B 15/03; G03B 17/14;  
H04N 5/2251; H04N 5/2252; H04N  
5/2253; H04N 5/2254; G02B 7/02; G02B  
7/04; G02B 7/14

See application file for complete search history.

(56) **References Cited**

**U.S. PATENT DOCUMENTS**

D428,618 S 7/2000 McBride  
D430,888 S 9/2000 Adachi et al.

D493,186 S 7/2004 Moore et al.  
D541,326 S 4/2007 Ford et al.  
D665,005 S \* 8/2012 Asano ..... D16/219  
D695,809 S 12/2013 Katori et al.  
8,717,413 B2 5/2014 Wilson et al.  
D783,078 S \* 4/2017 Kim ..... D16/219  
D783,700 S \* 4/2017 Tagawa ..... D16/219  
D810,169 S 2/2018 Bhattacharya  
D829,261 S 9/2018 Matsumiya et al.  
D837,927 S \* 1/2019 Trulsson ..... D22/109  
D846,691 S \* 4/2019 Cheng ..... D22/109  
D856,458 S \* 8/2019 Cheng ..... D22/109  
D856,459 S \* 8/2019 Hamilton ..... D22/109  
2002/0159146 A1 10/2002 Leimbach et al.

(Continued)

*Primary Examiner* — Ramzi S Almatrahi  
(74) *Attorney, Agent, or Firm* — Oliff PLC

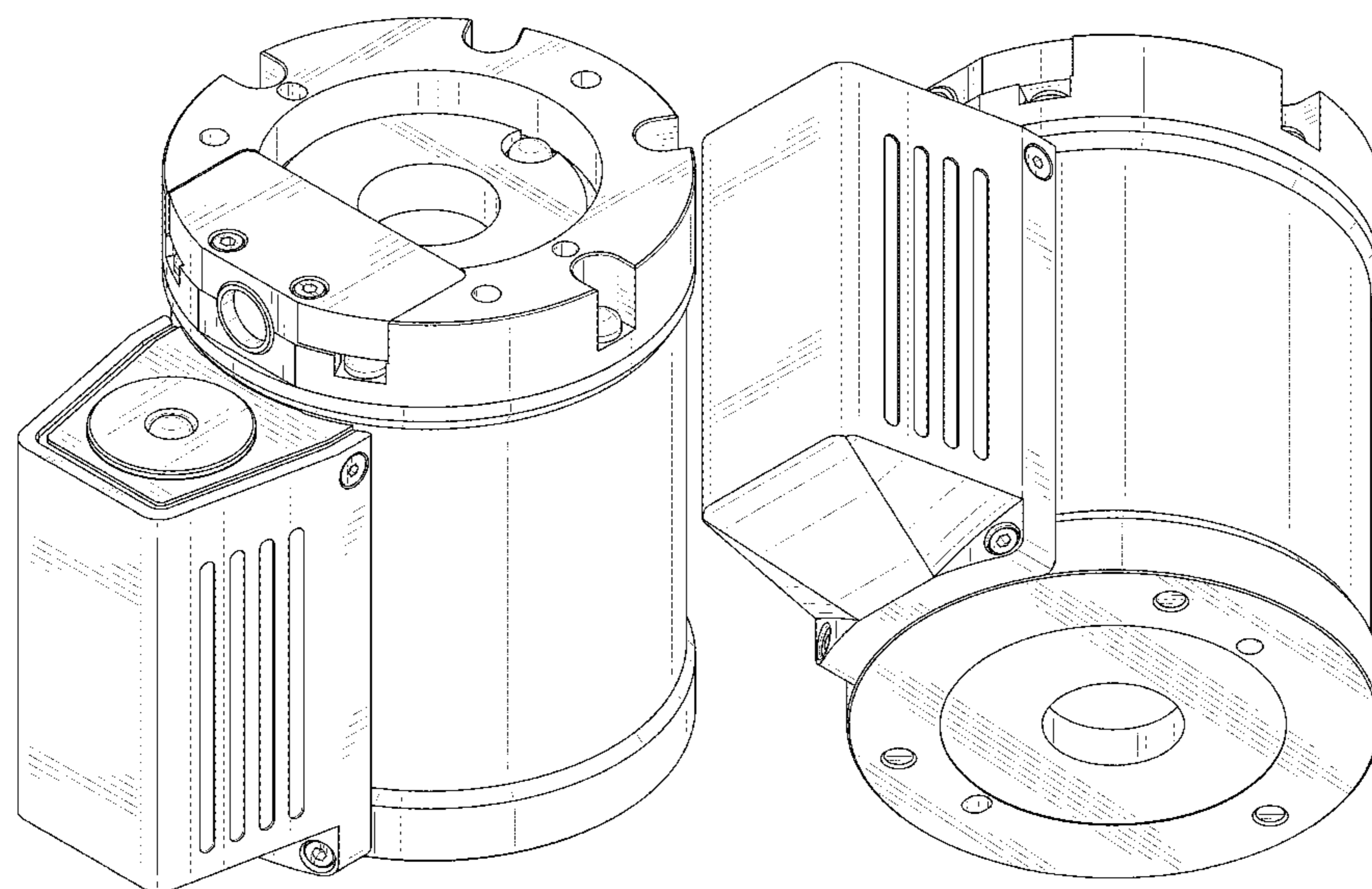
(57) **CLAIM**

The ornamental design for a variable focal length lens, as shown and described.

**DESCRIPTION**

FIG. 1 is a top rear perspective view of a variable focal length lens;  
FIG. 2 is a bottom rear perspective view thereof;  
FIG. 3 is a front view thereof;  
FIG. 4 is a rear view thereof;  
FIG. 5 is a right-side view thereof;  
FIG. 6 is a left-side view thereof;  
FIG. 7 is a top view thereof;  
FIG. 8 is a bottom view thereof; and,  
FIG. 9 is a top rear perspective view thereof, shown in condition of use with an image pickup device and a microscope disclosed in broken lines to illustrate an environment. The broken lines showing an image pickup device and a microscope in FIG. 9 represent environmental structure and form no part of the claimed design.

**1 Claim, 9 Drawing Sheets**



(56)

**References Cited**

U.S. PATENT DOCUMENTS

2014/0268361 A1 9/2014 Nunnink et al.  
2015/0301303 A1 10/2015 Kim et al.

\* cited by examiner

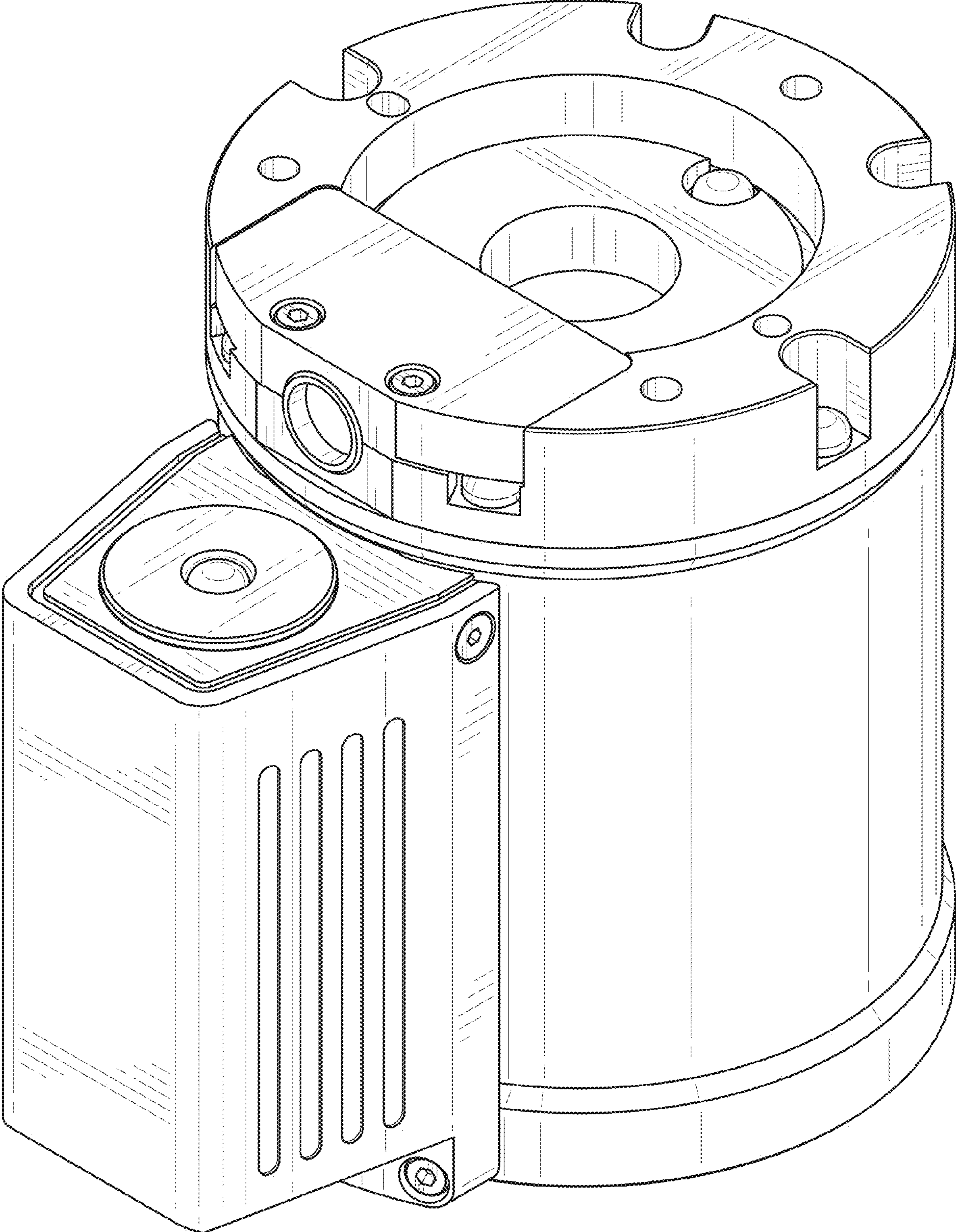


FIG. 1

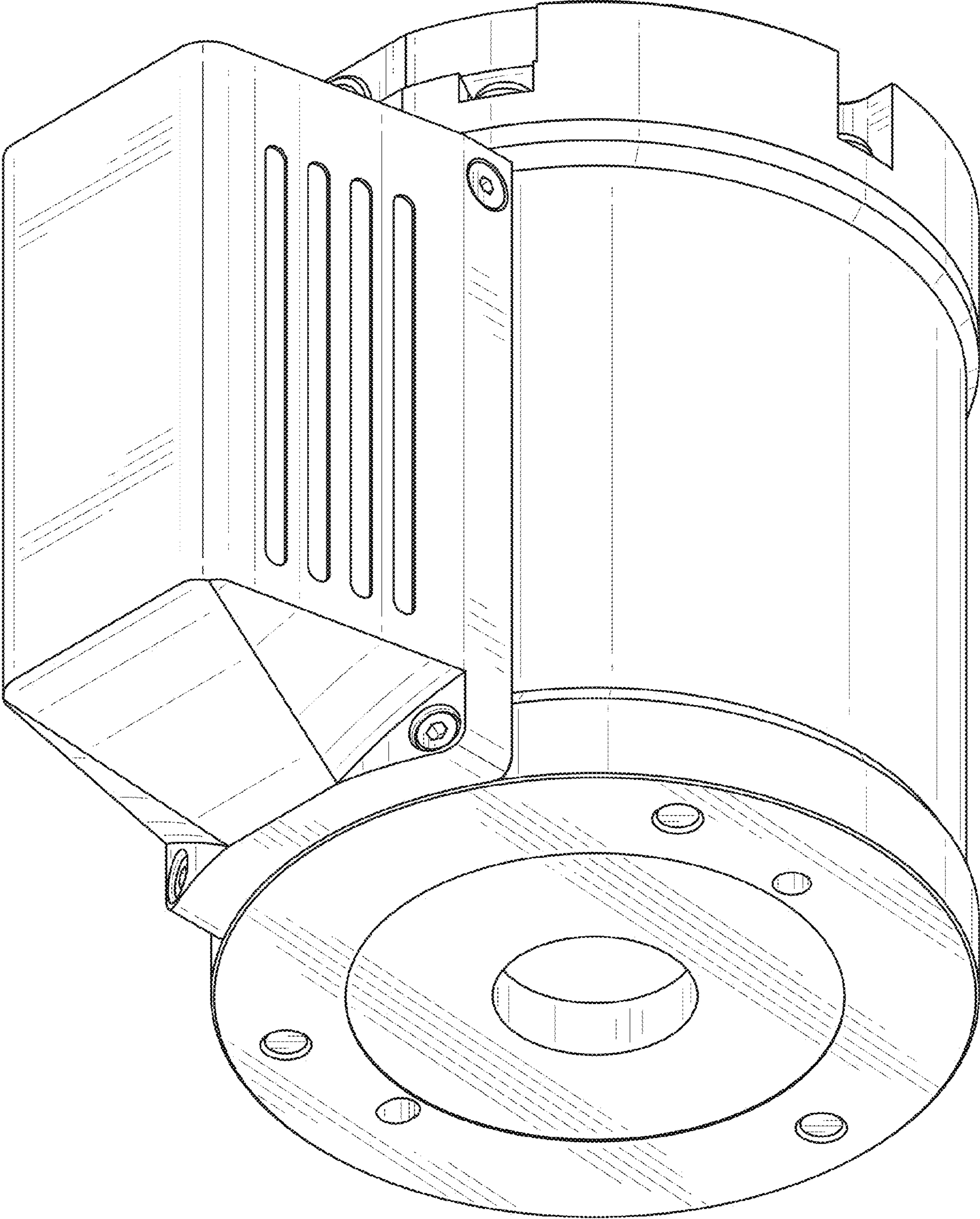


FIG. 2

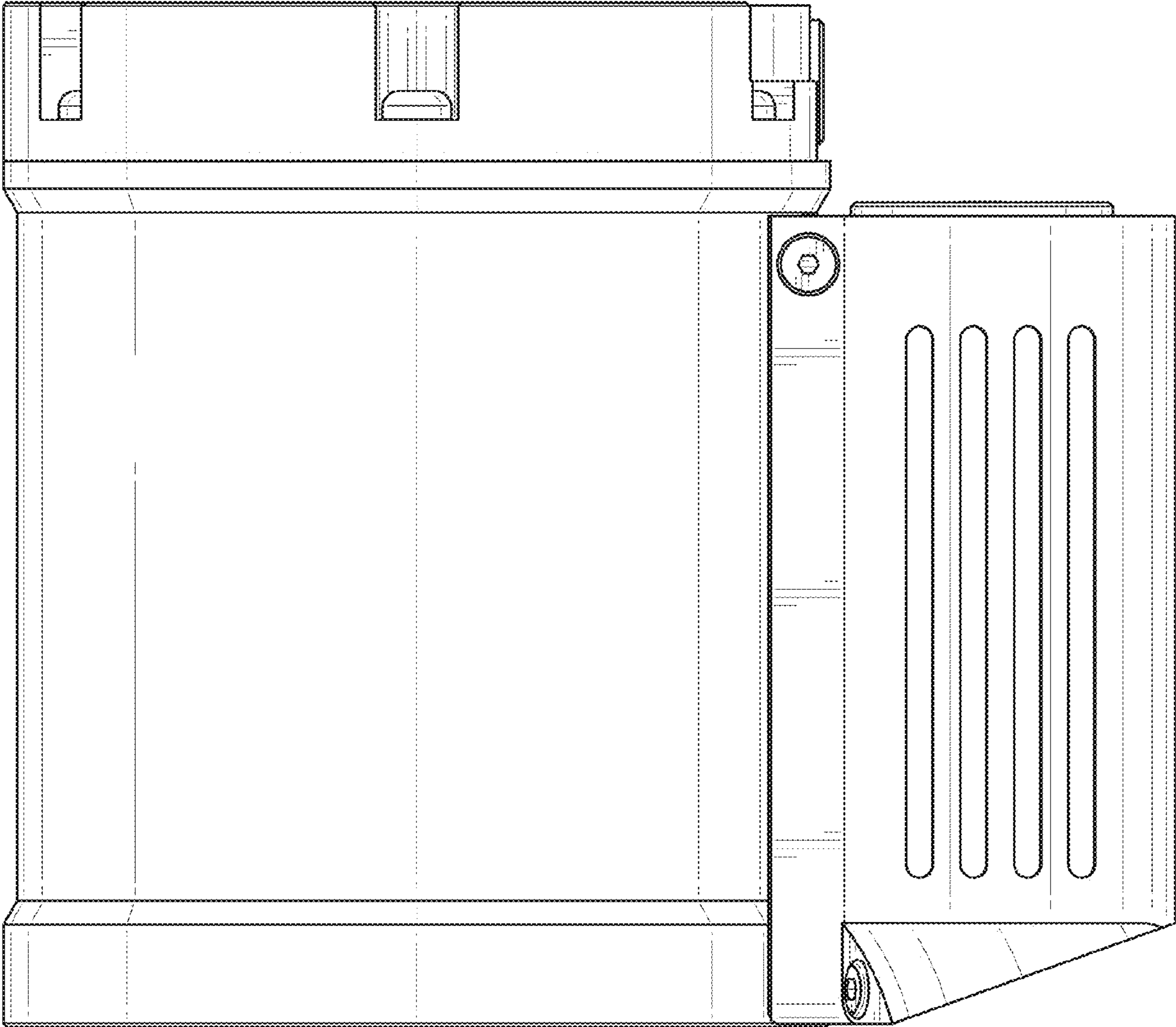


FIG. 3

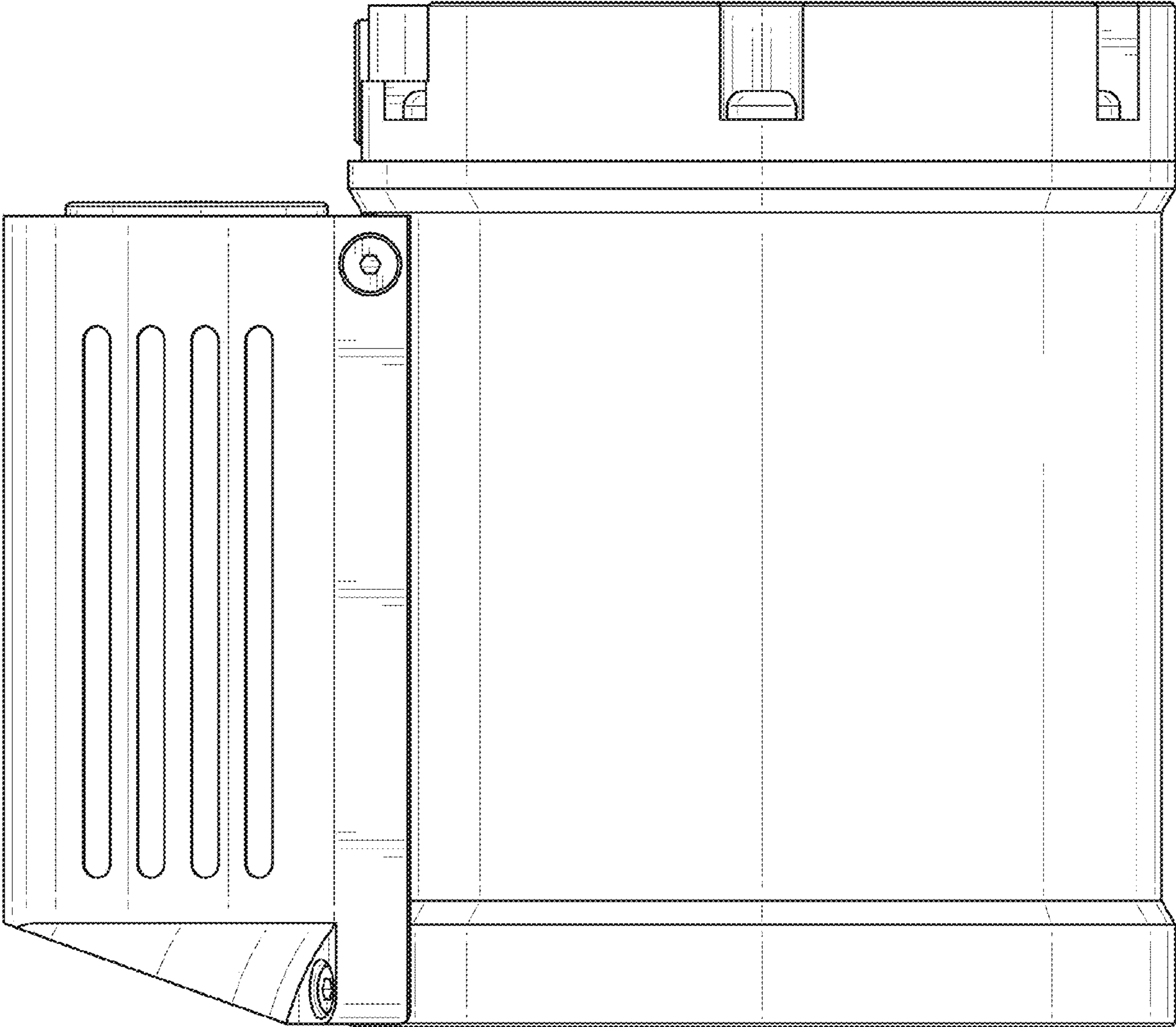


FIG. 4

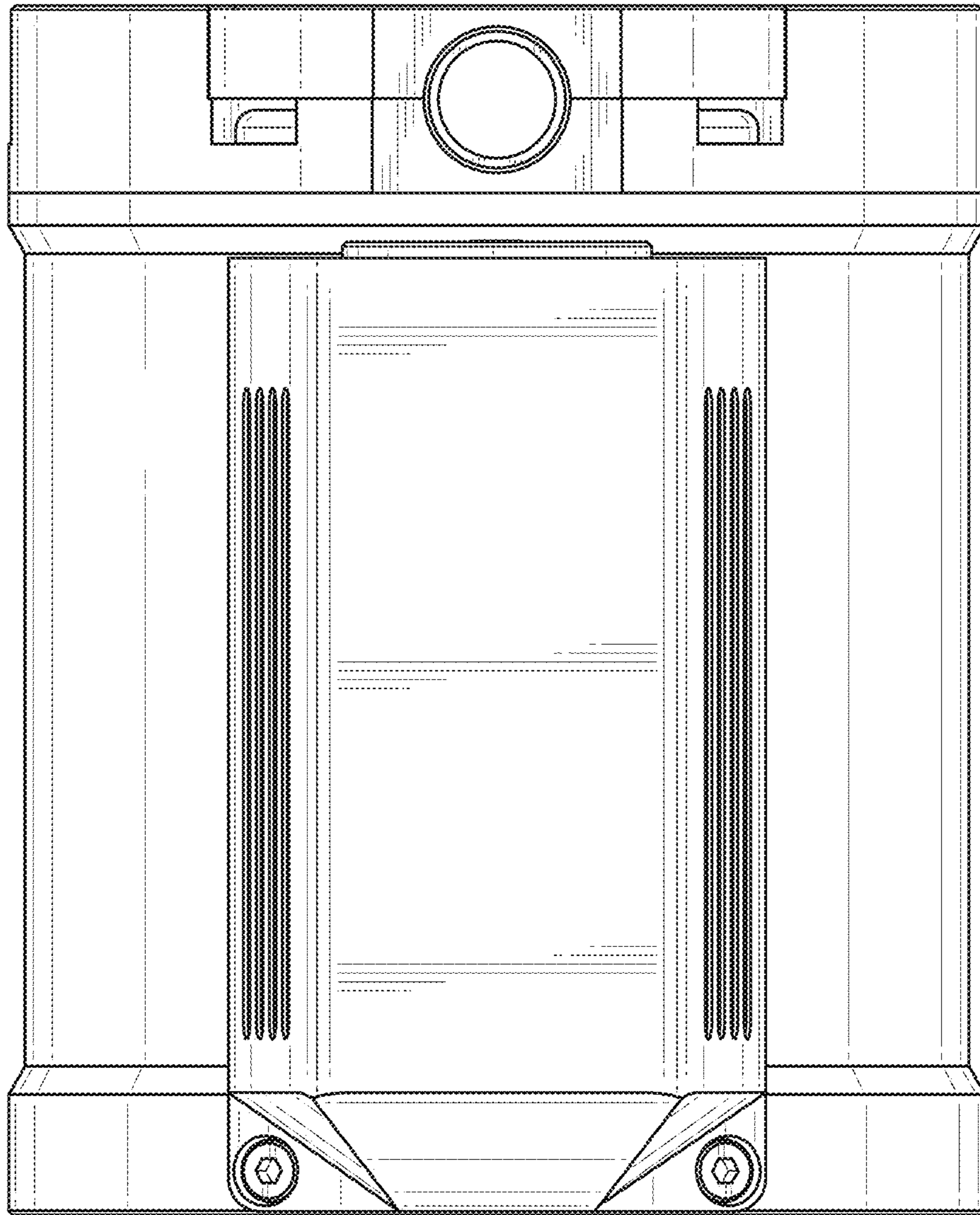


FIG. 5

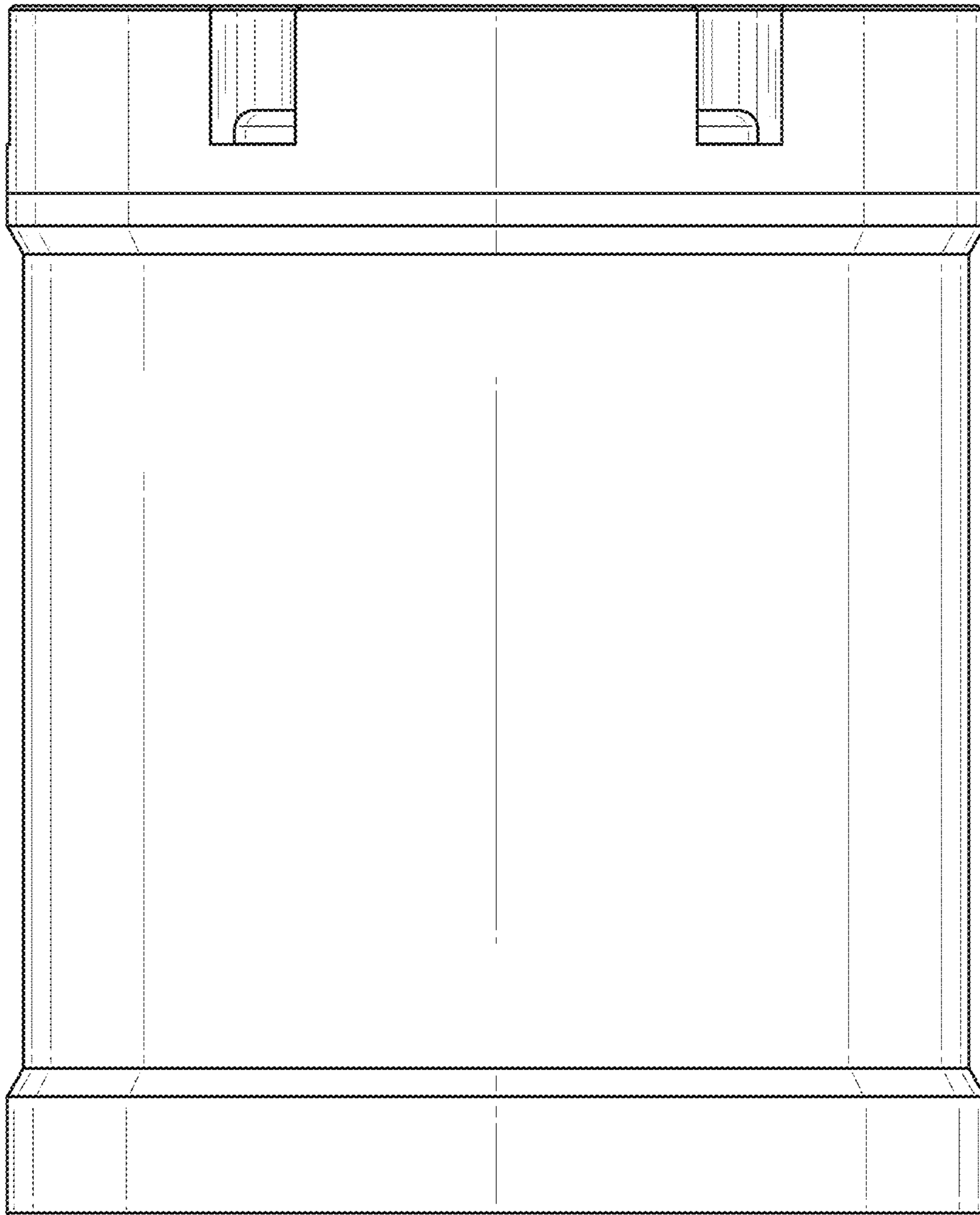


FIG. 6



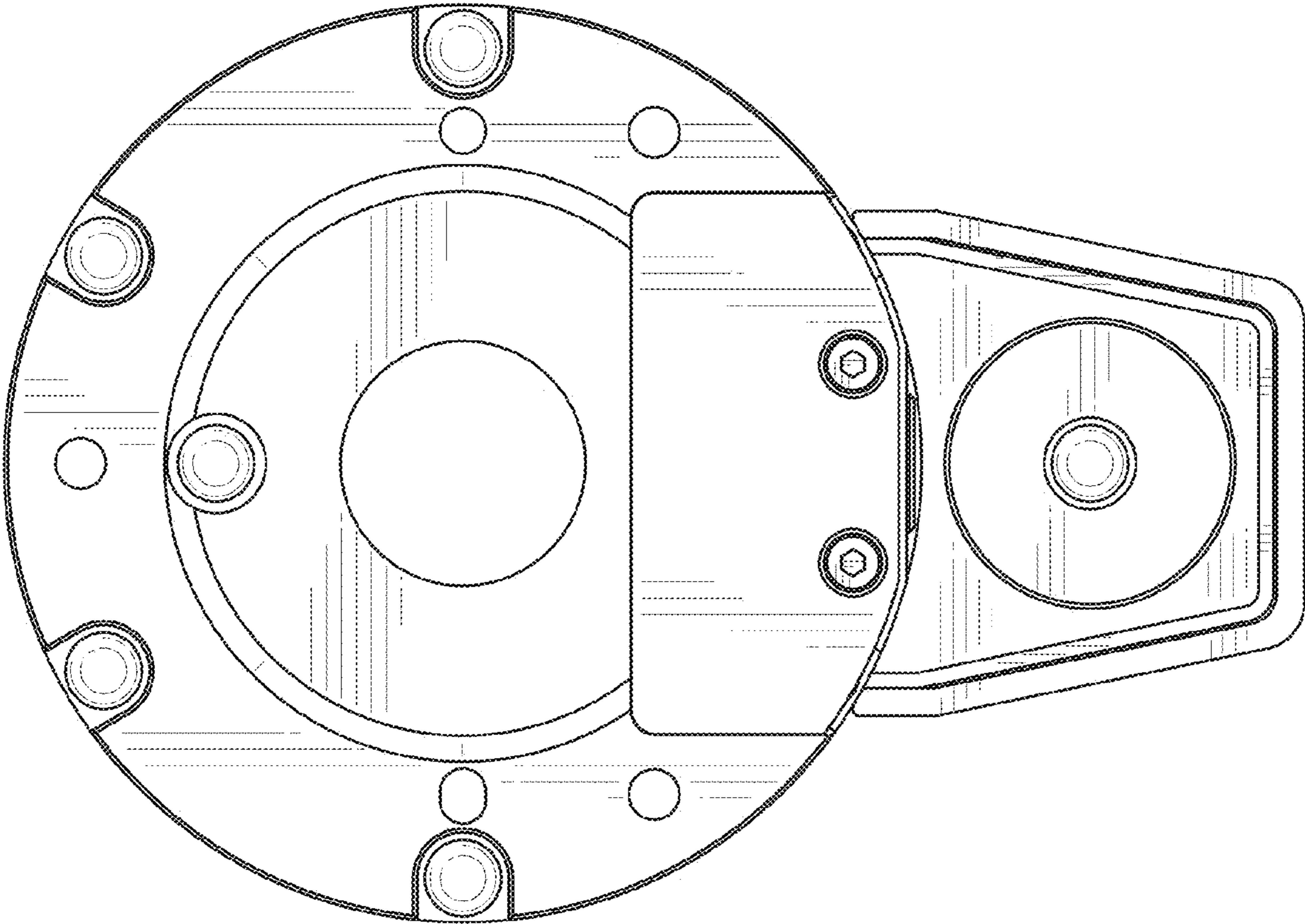


FIG. 7

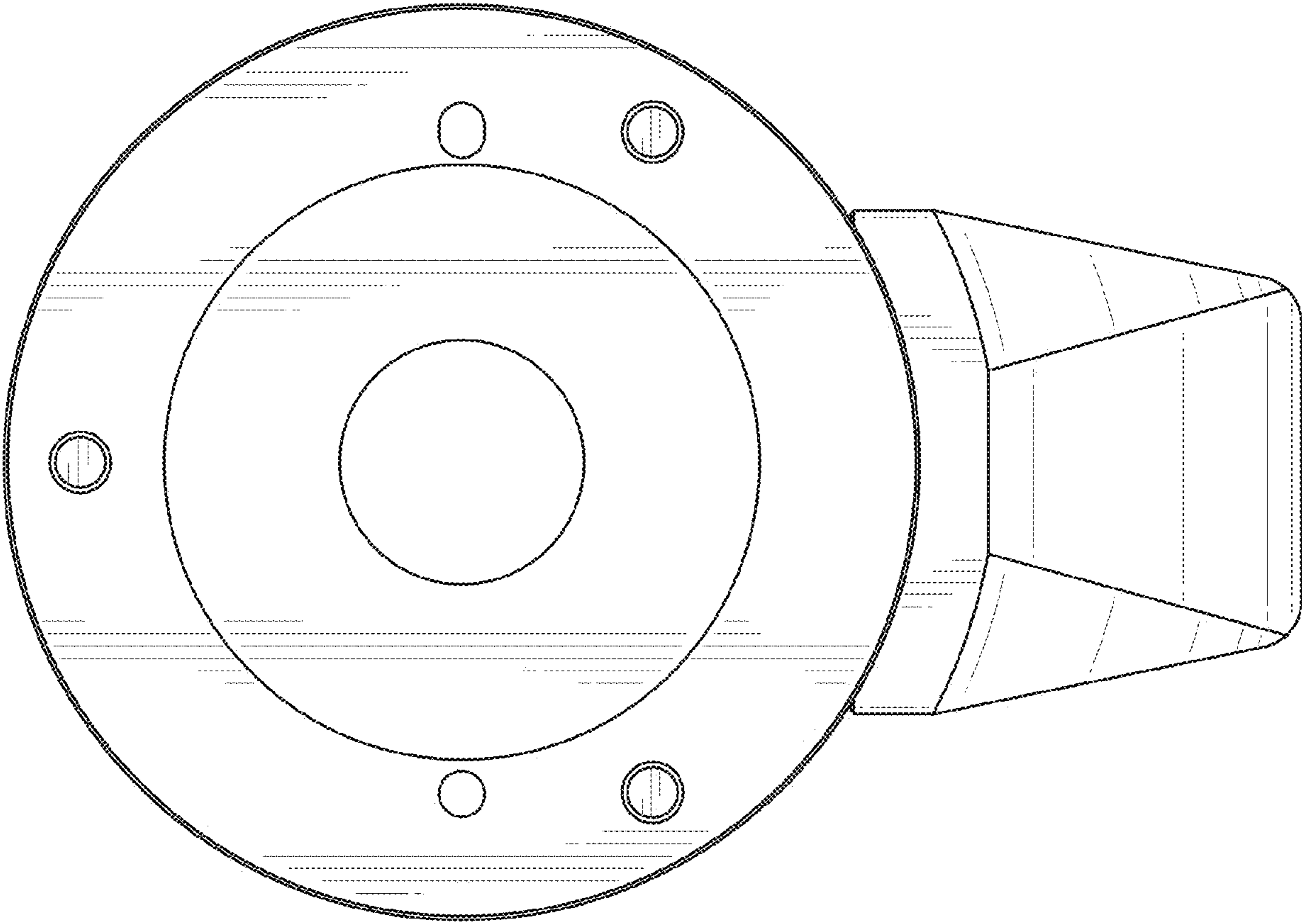


FIG. 8

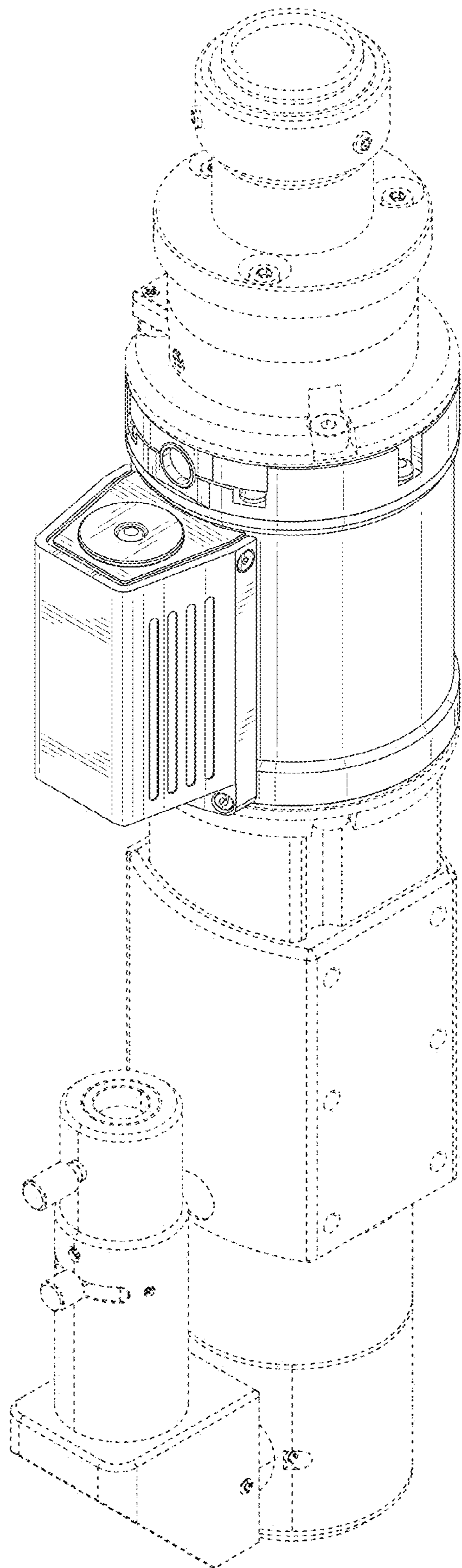


FIG. 9