



US00D870794S

(12) **United States Design Patent**
Högstedt et al.

(10) **Patent No.:** **US D870,794 S**

(45) **Date of Patent:** **** Dec. 24, 2019**

(54) **LENS ASSEMBLY**

(71) Applicant: **FLIR SYSTEMS AB**, Täby (SE)

(72) Inventors: **Christian Högstedt**, Nacka (SE); **Jens O. Johansson**, Stockholm (SE); **Fredrik Nilsson**, Farsta (SE); **Anton Hoffman**, Bromma (SE)

(73) Assignee: **FLIR Systems AB**, Taby (SE)

(**) Term: **15 Years**

(21) Appl. No.: **29/593,852**

(22) Filed: **Feb. 13, 2017**

Related U.S. Application Data

(63) Continuation of application No. 29/588,797, filed on Dec. 22, 2016.

(51) **LOC (12) Cl.** **16-05**

(52) **U.S. Cl.**

USPC **D16/219**

(58) **Field of Classification Search**

USPC D16/134, 136, 200, 202–205, 218, 219, D16/235, 242; 348/373–376; 359/826–828; 396/529–532, 535, 396/539–541

CPC G03B 17/02; G03B 19/04; G03B 17/56; G03B 17/04; G03B 15/03; G03B 17/14; H04N 5/2251; H04N 5/2252; H04N 5/2253; H04N 5/2254; G02B 7/02; G02B 7/04; G02B 7/14

See application file for complete search history.

(56) **References Cited**

U.S. PATENT DOCUMENTS

D183,253 S * 7/1958 Gebele D16/134
D381,347 S * 7/1997 Miyahara D16/134
D466,540 S 12/2002 Lannstedt et al.

D548,261 S * 8/2007 Nakamura D16/134
D599,392 S 9/2009 Hamrelius
D650,821 S * 12/2011 Verhey D16/134
D664,580 S * 7/2012 Sigward D16/219
D664,581 S * 7/2012 Palm D16/219
D665,440 S 8/2012 Sigward
D677,298 S 3/2013 Hallgren
D682,342 S * 5/2013 Suzuki D16/134
D686,265 S * 7/2013 O'Neill D16/134
8,687,299 B1 * 4/2014 Sanford F16B 21/04
359/827
D710,424 S 8/2014 Hallgren
D718,362 S * 11/2014 Noh D16/219
D721,120 S * 1/2015 Oh D16/219

(Continued)

Primary Examiner — Ramzi S Almatrahi

(74) *Attorney, Agent, or Firm* — Haynes and Boone, LLP

(57) **CLAIM**

The ornamental design for a lens assembly, as shown and described.

DESCRIPTION

FIG. 1 is a bottom, front, and left side perspective view of a lens assembly embodying our new design, shown in condition of use with a camera disclosed in broken lines to illustrate an environment.

FIG. 2 is a bottom, rear, and right side perspective view of a lens assembly;

FIG. 3 is a front elevational view thereof;

FIG. 4 is a rear elevational view thereof;

FIG. 5 is a left side view thereof;

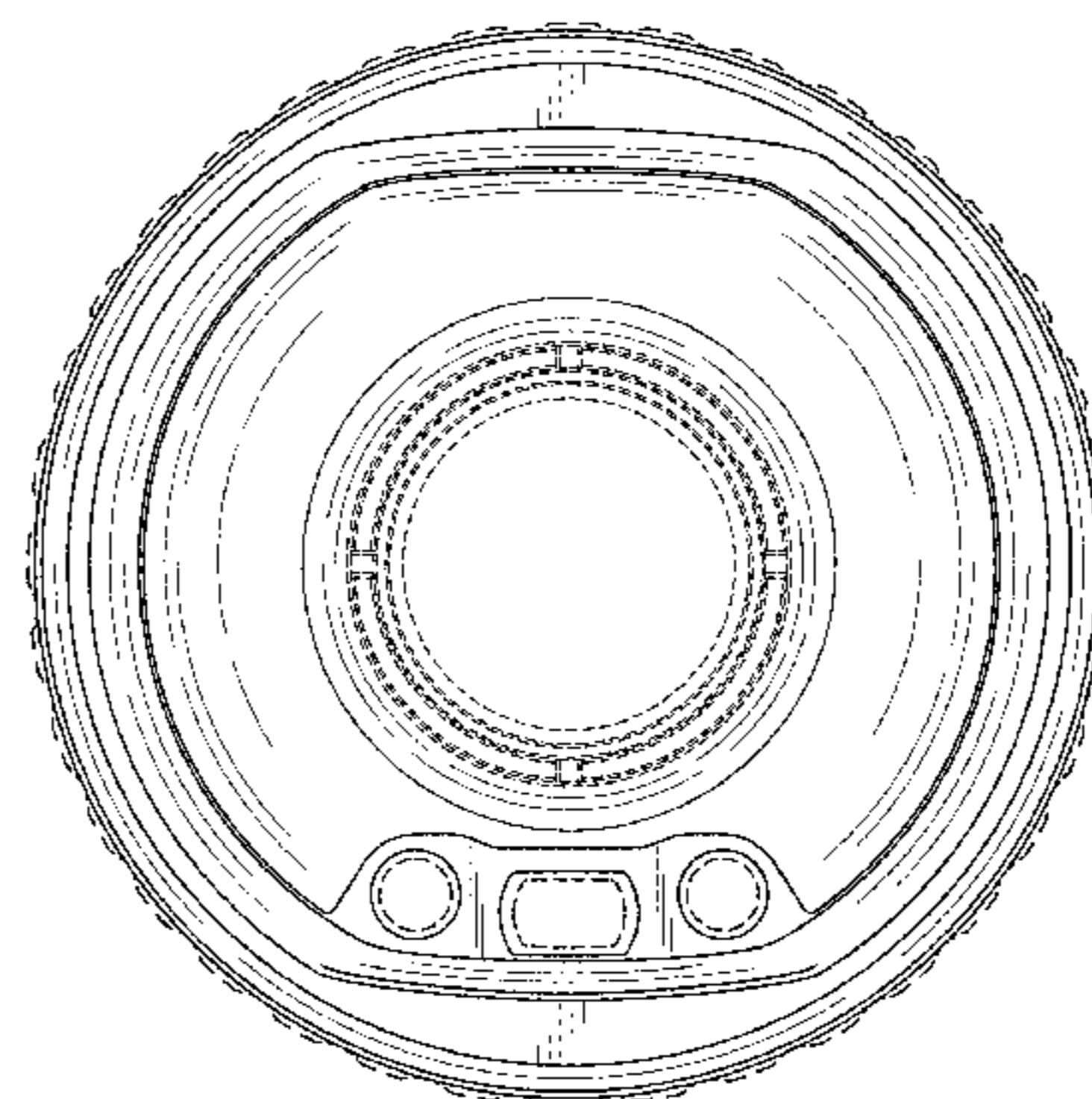
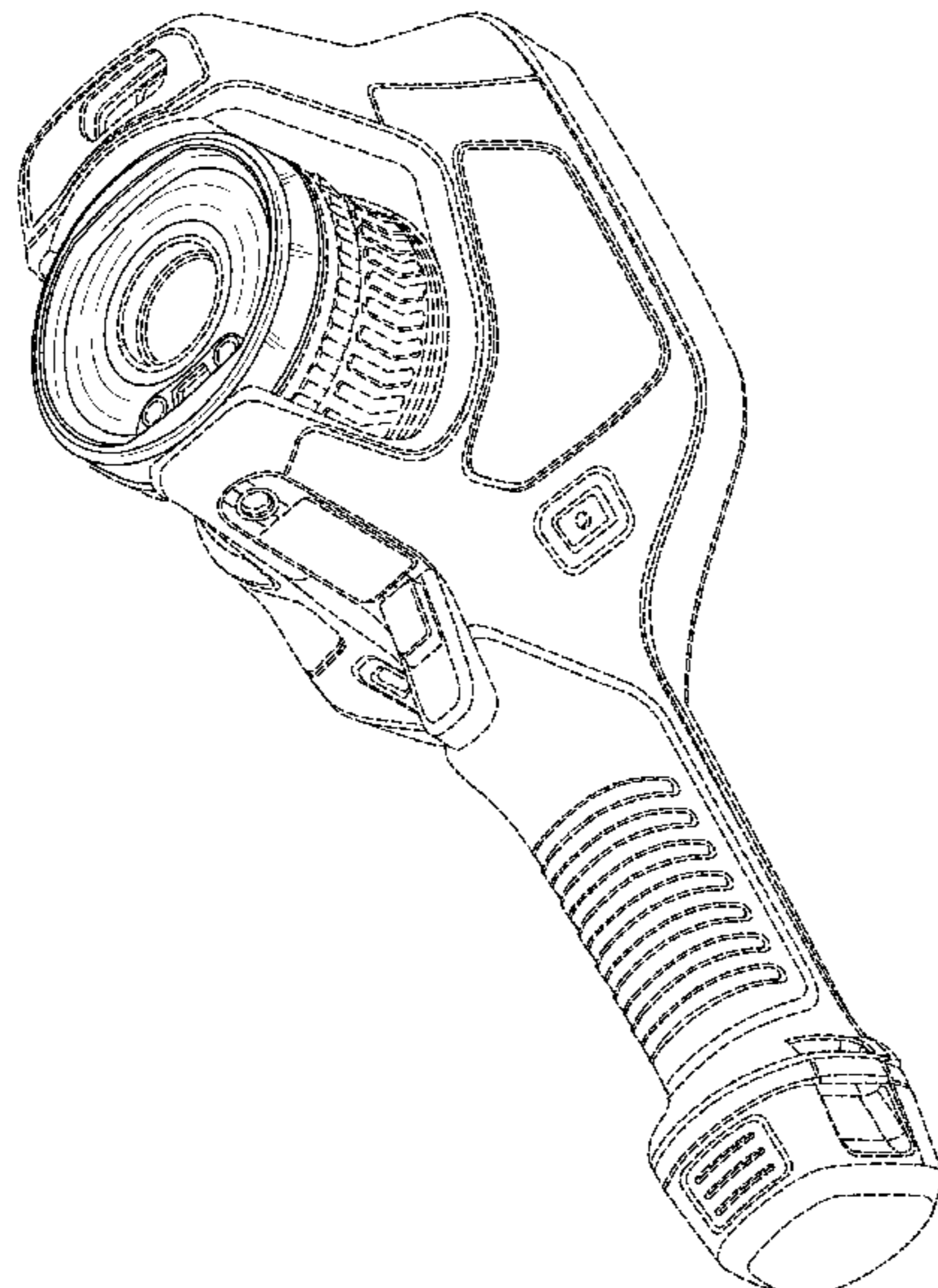
FIG. 6 is a right side view thereof;

FIG. 7 is a top plan view thereof; and,

FIG. 8 is a bottom plan view thereof.

The broken lines depict portions of the lens assembly in which the design is embodied that form no part of the claimed design. Additionally, the broken lines showing a camera in FIG. 1 represent environmental structure and form no part of the claimed design.

1 Claim, 8 Drawing Sheets



(56)

References Cited

U.S. PATENT DOCUMENTS

D723,605 S	3/2015	Palm	
D730,969 S *	6/2015	O'Neill	D16/219
D741,936 S *	10/2015	Chu	D16/219
2014/0071547 A1 *	3/2014	O'Neill	G02B 7/02 359/827

* cited by examiner

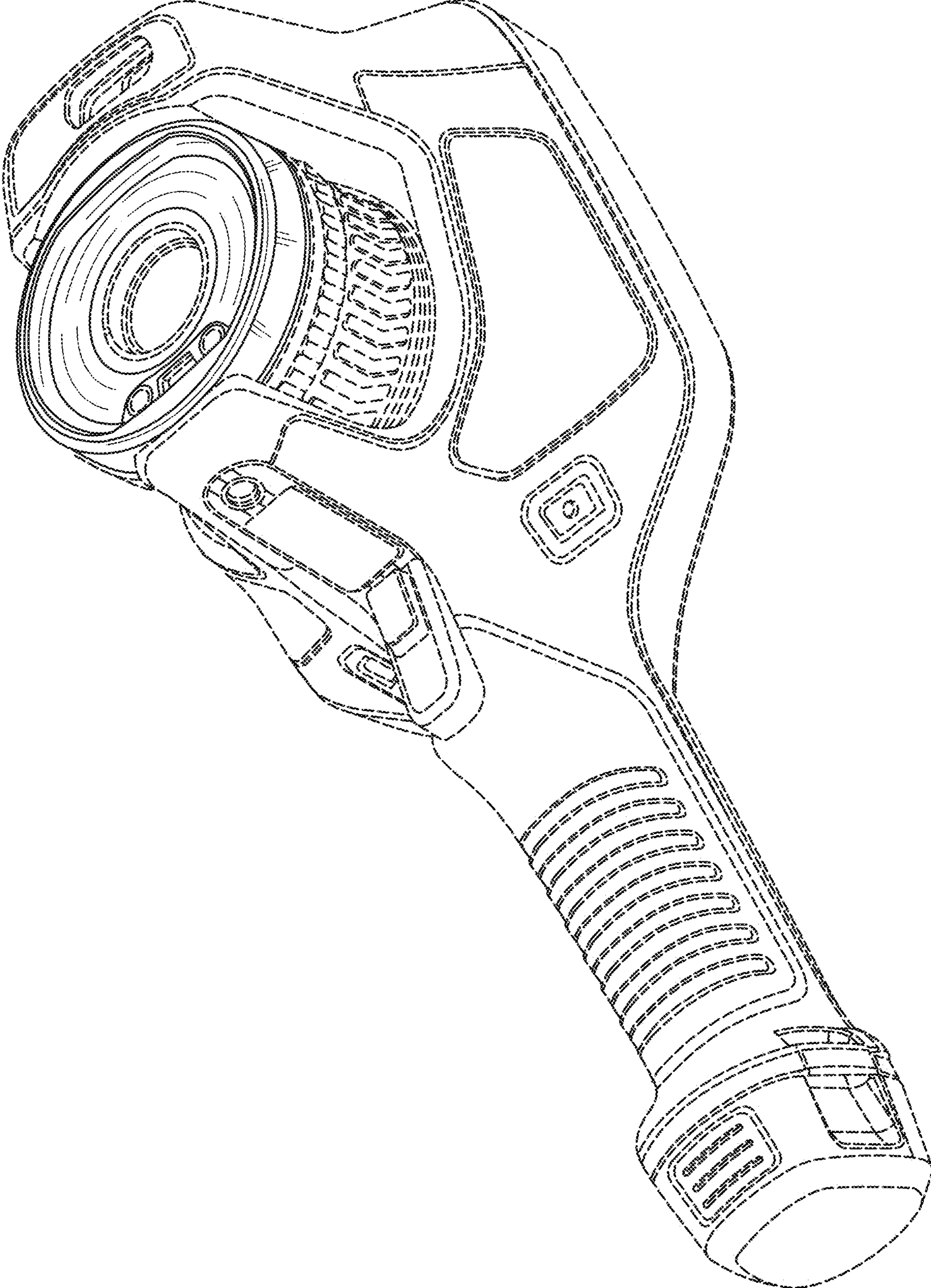


FIG. 1

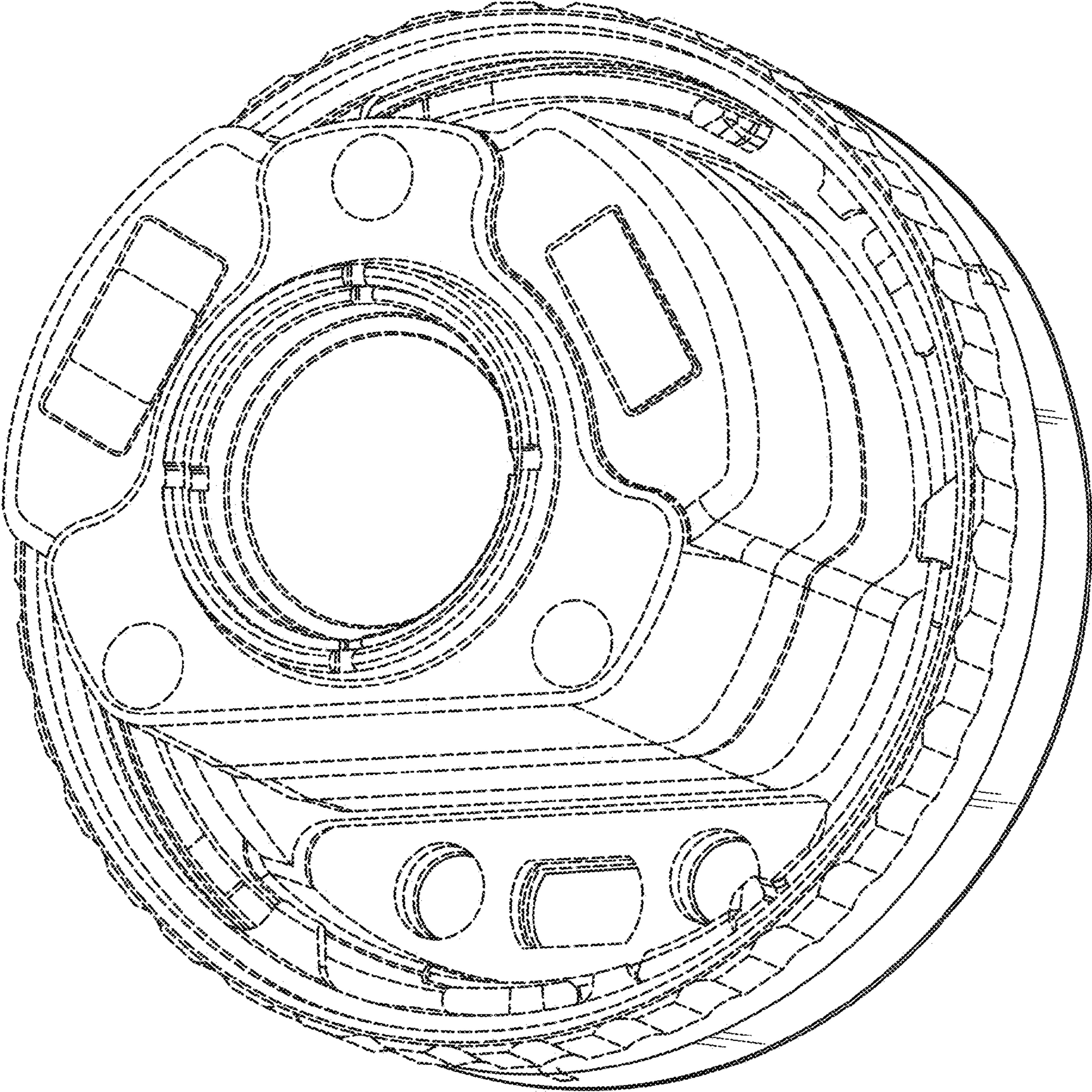


FIG. 2

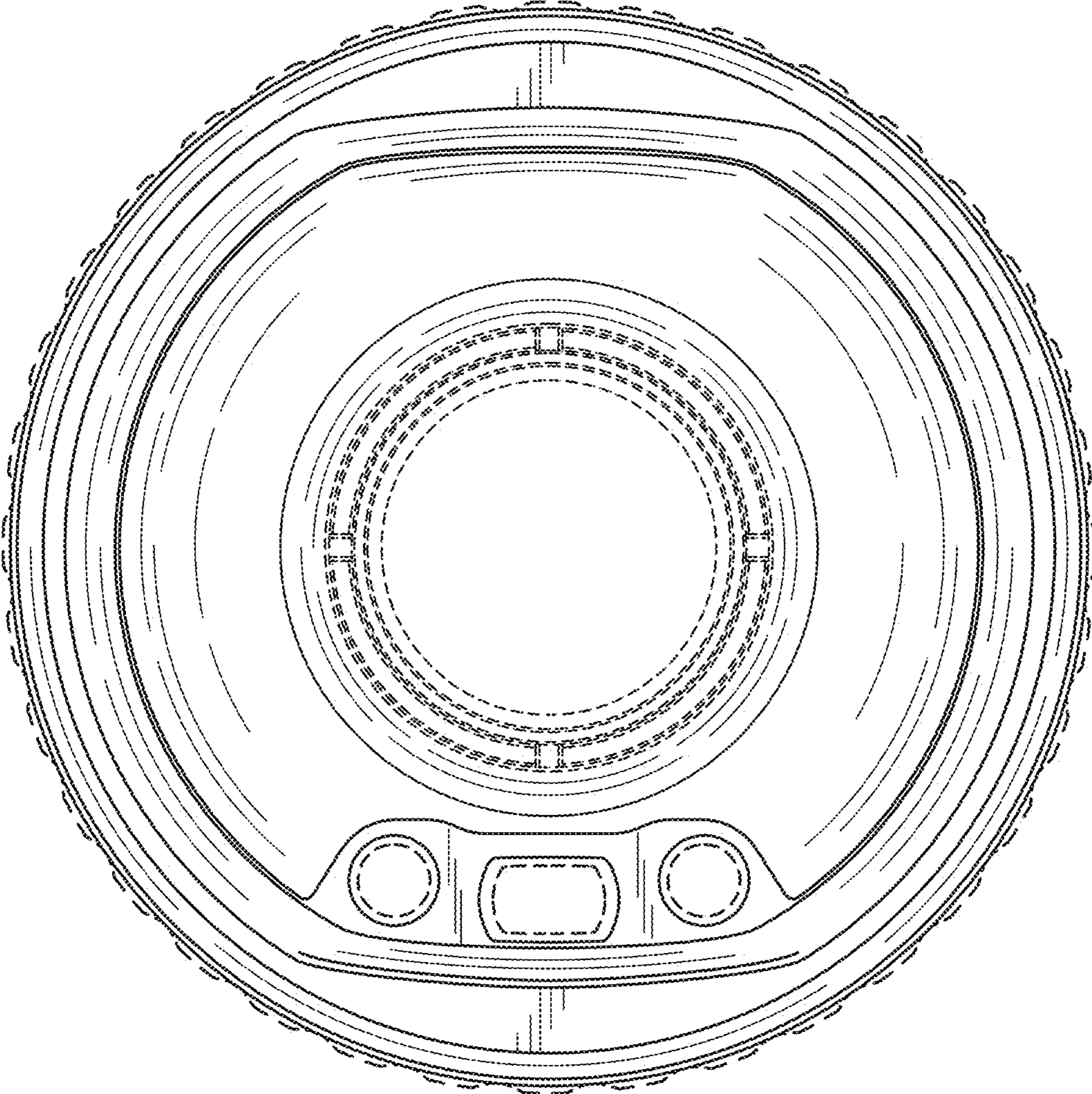


FIG. 3

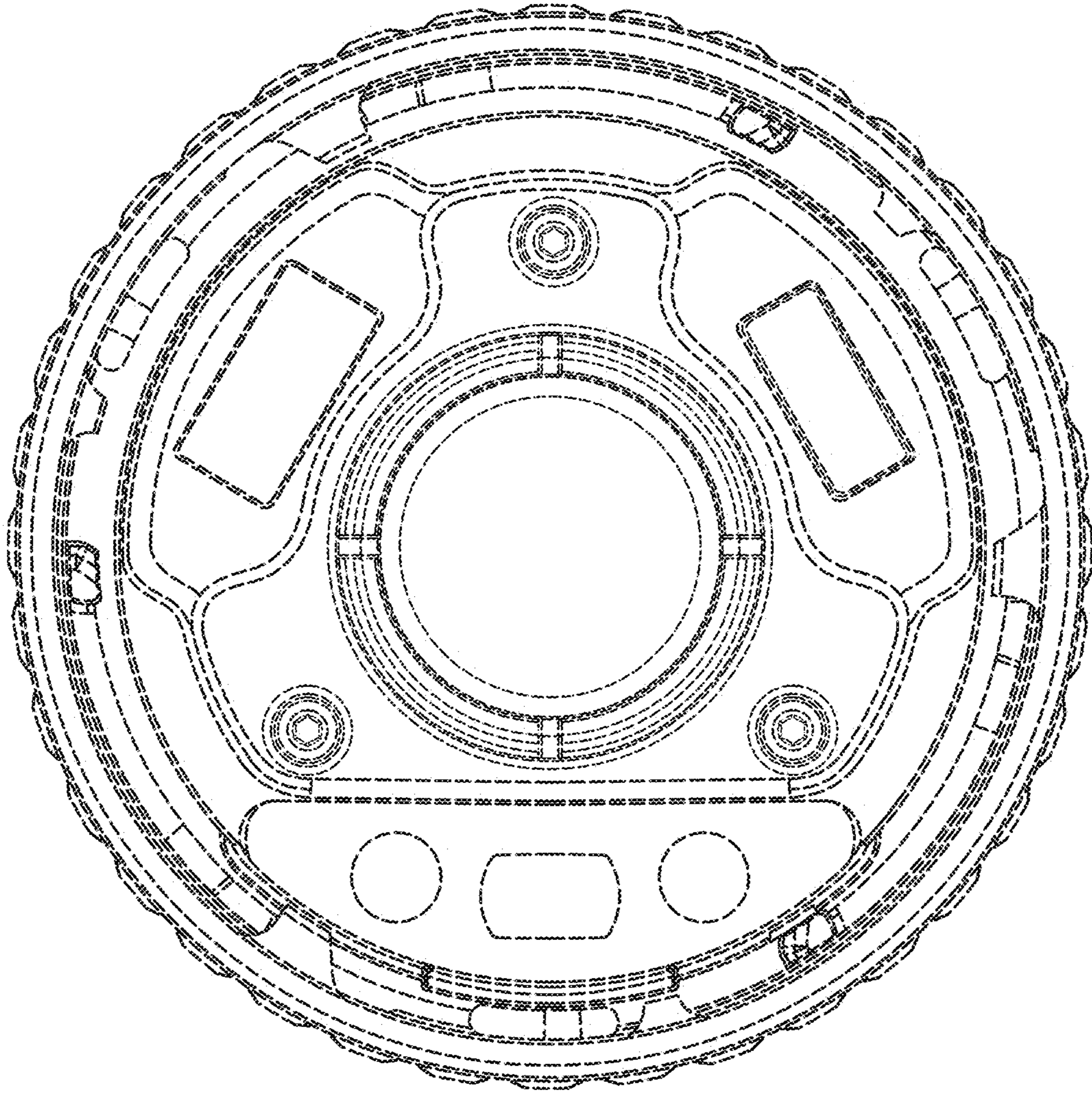


FIG. 4

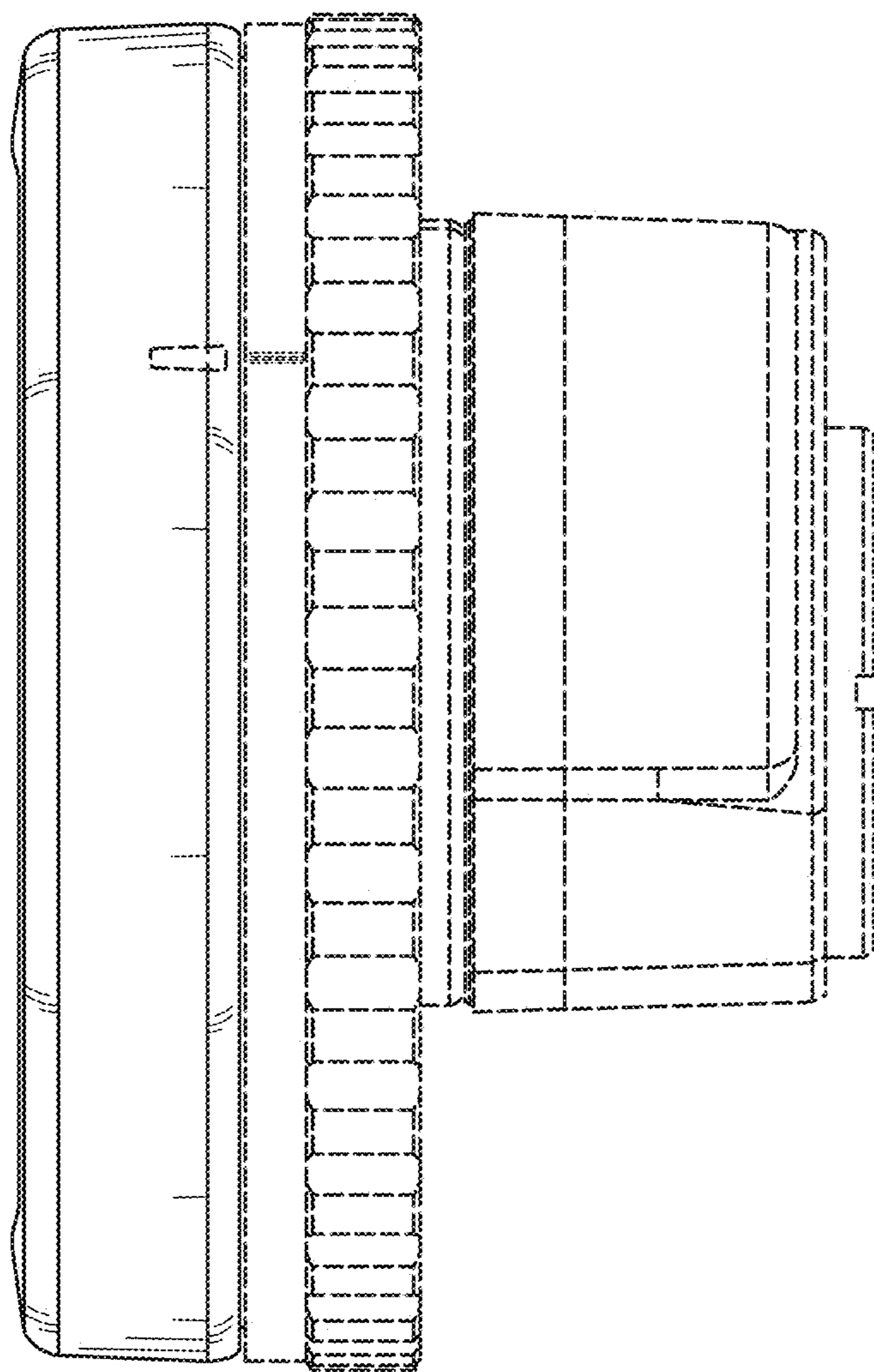


FIG. 5

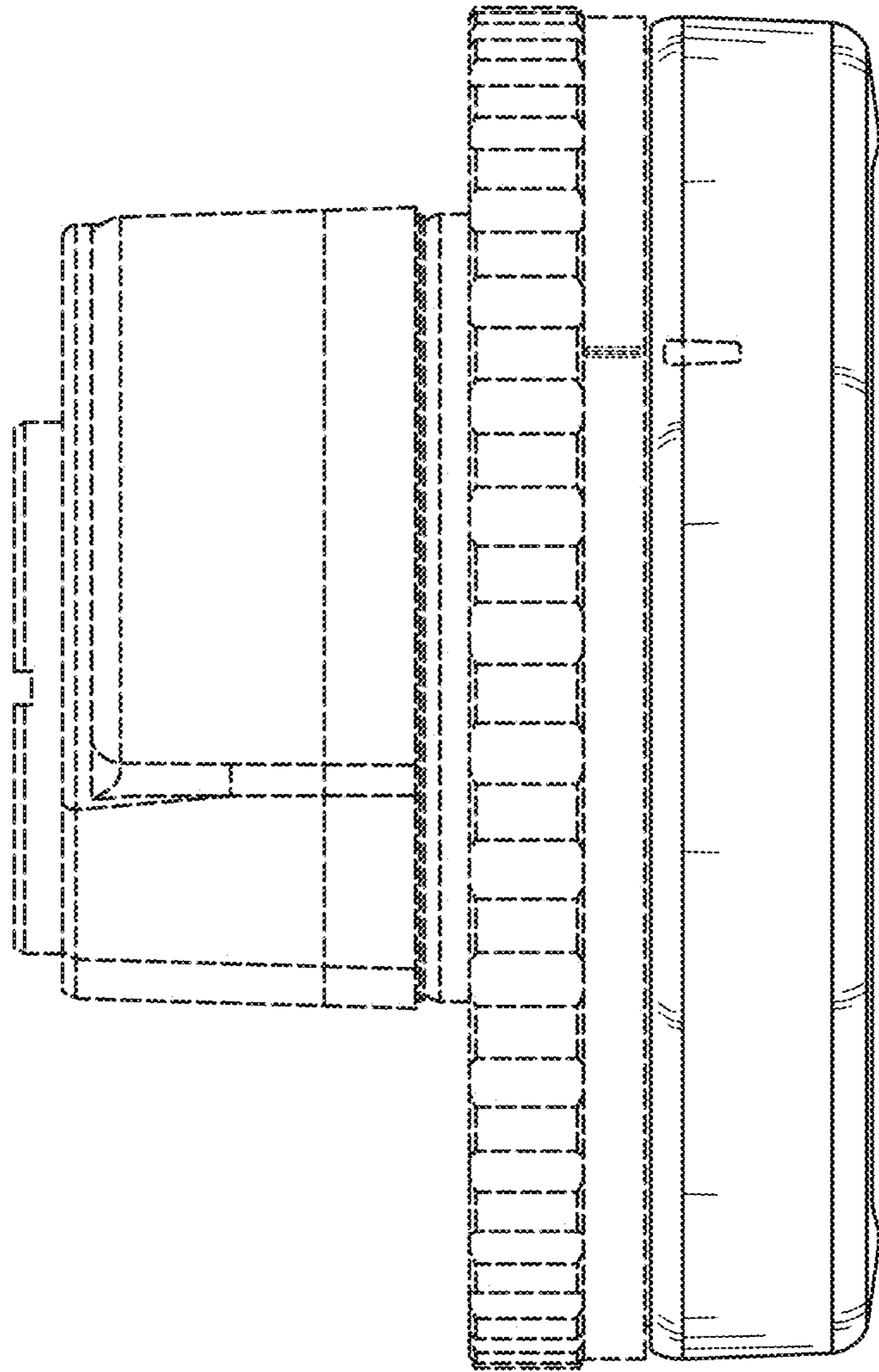


FIG. 6

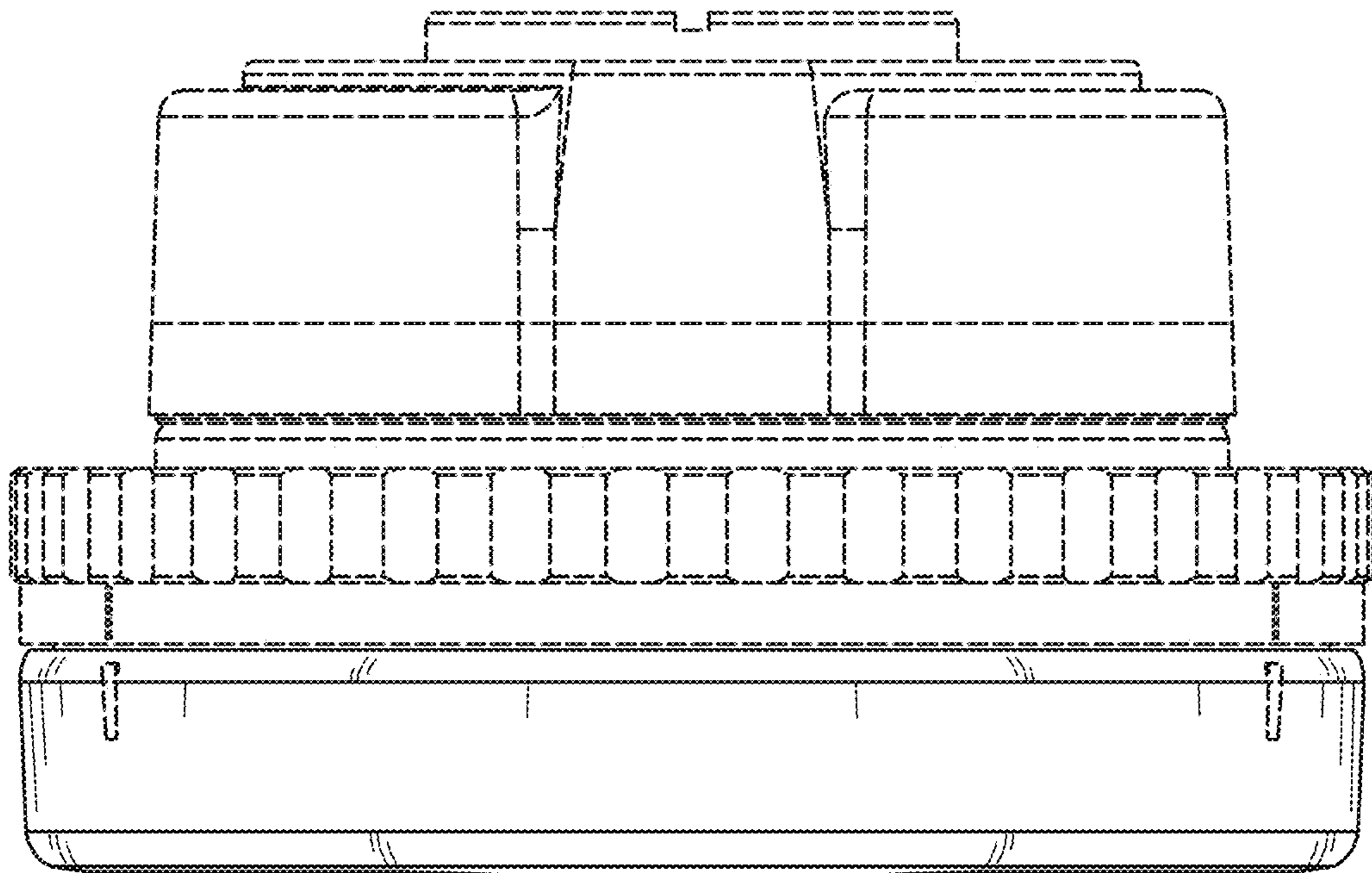


FIG. 7

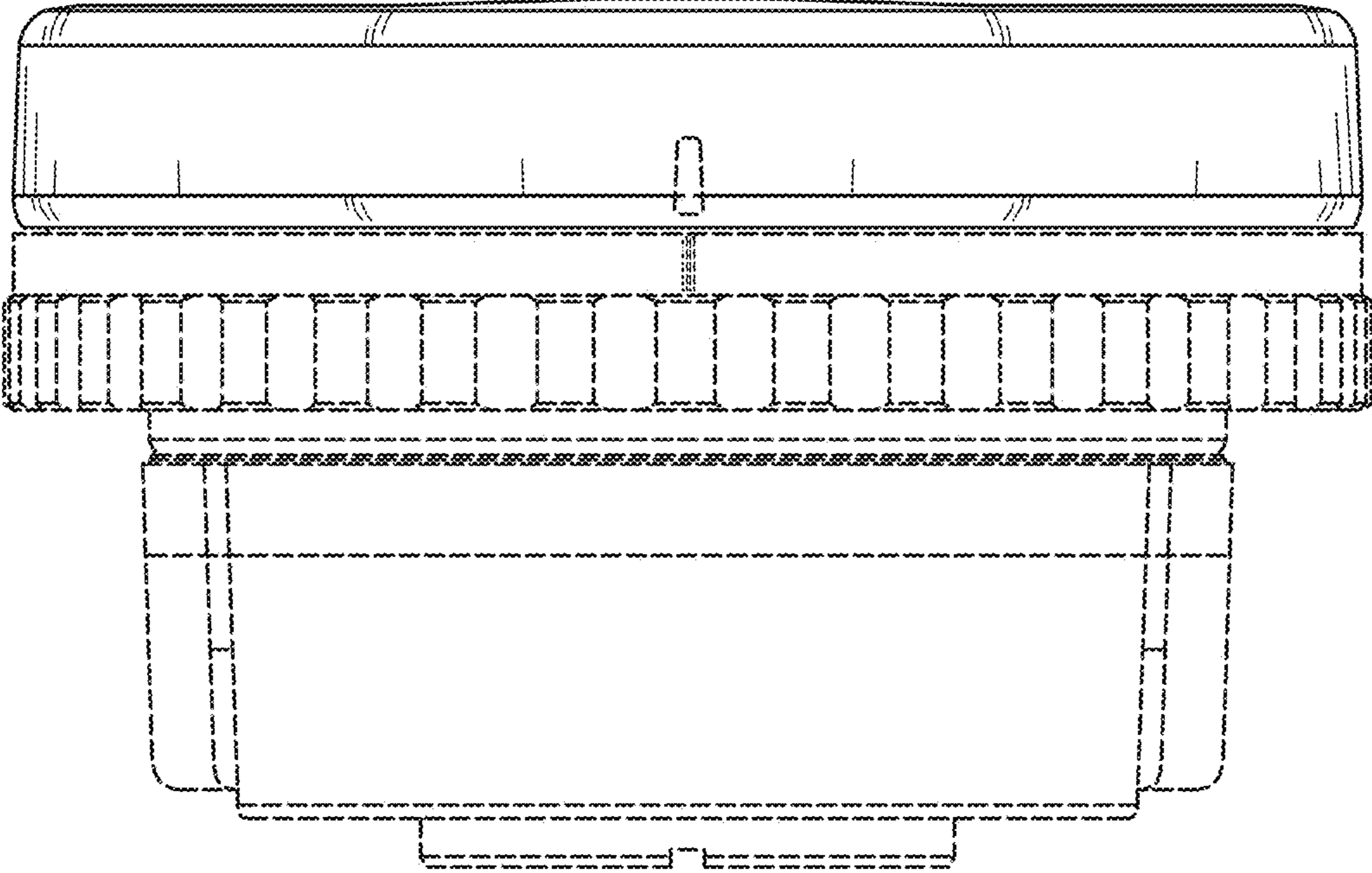


FIG. 8