



US00D870792S

(12) **United States Design Patent** (10) **Patent No.:** **US D870,792 S**  
**Lundblad et al.** (45) **Date of Patent:** **\*\* Dec. 24, 2019**

(54) **CAMERA**

(71) Applicant: **Axis AB**, Lund (SE)

(72) Inventors: **Sebastian Lundblad**, Lund (SE); **Malte Lennerstedt**, Lund (SE); **Anna Papée**, Lund (SE); **Mathias Walter**, Lund (SE); **Mariano Vozzi**, Lund (SE); **Jonas Sjögren**, Lund (SE)

(73) Assignee: **AXIS AB**, Lund (SE)

(\*\*) Term: **15 Years**

(21) Appl. No.: **29/676,344**

(22) Filed: **Jan. 10, 2019**

(30) **Foreign Application Priority Data**

Jul. 12, 2018 (EM) ..... 005502259-0001

(51) **LOC (12) Cl.** ..... **16-01**

(52) **U.S. Cl.**  
USPC ..... **D16/203**

(58) **Field of Classification Search**  
USPC ..... D16/200, 202–208, 218, 219, 242;  
348/143, 148, 151, 373–376; 396/419,  
396/427, 535, 539–541  
CPC ..... G03B 17/02; G03B 19/04; G03B 17/56;  
G03B 17/04; G03B 15/03; H04N 5/2251;  
H04N 5/2252; H04N 5/2253; H04N  
5/2254; H04N 7/181; H04N 7/183; H04N  
7/18; G08B 13/1963; G08B 13/19619;  
G08B 13/19632; F16M 11/04; F16M  
13/00

See application file for complete search history.

(56) **References Cited**

**U.S. PATENT DOCUMENTS**

D688,720 S \* 8/2013 Yilin ..... D16/203  
D751,621 S \* 3/2016 Katori ..... D16/203

D752,674 S \* 3/2016 Katori ..... D16/203  
D772,324 S \* 11/2016 Bennermark ..... D16/203  
D781,169 S \* 3/2017 Wang ..... D10/106.5  
D786,725 S \* 5/2017 McCormick ..... D10/106.5  
D796,566 S \* 9/2017 Bingleman ..... D16/203  
D796,567 S \* 9/2017 Bingleman ..... D16/203  
D796,568 S \* 9/2017 Bingleman ..... D16/203  
D798,933 S \* 10/2017 Little ..... D16/203  
D816,755 S \* 5/2018 Barnekow ..... D16/203  
D822,088 S \* 7/2018 Park ..... D16/203  
D827,011 S \* 8/2018 Kip ..... D16/202

**FOREIGN PATENT DOCUMENTS**

EM 001317895 3/2012  
EM 003833409 3/2017  
EM 004423275-0002 10/2017

\* cited by examiner

*Primary Examiner* — Ramzi S Almatrahi

(74) *Attorney, Agent, or Firm* — Tucker Ellis LLP

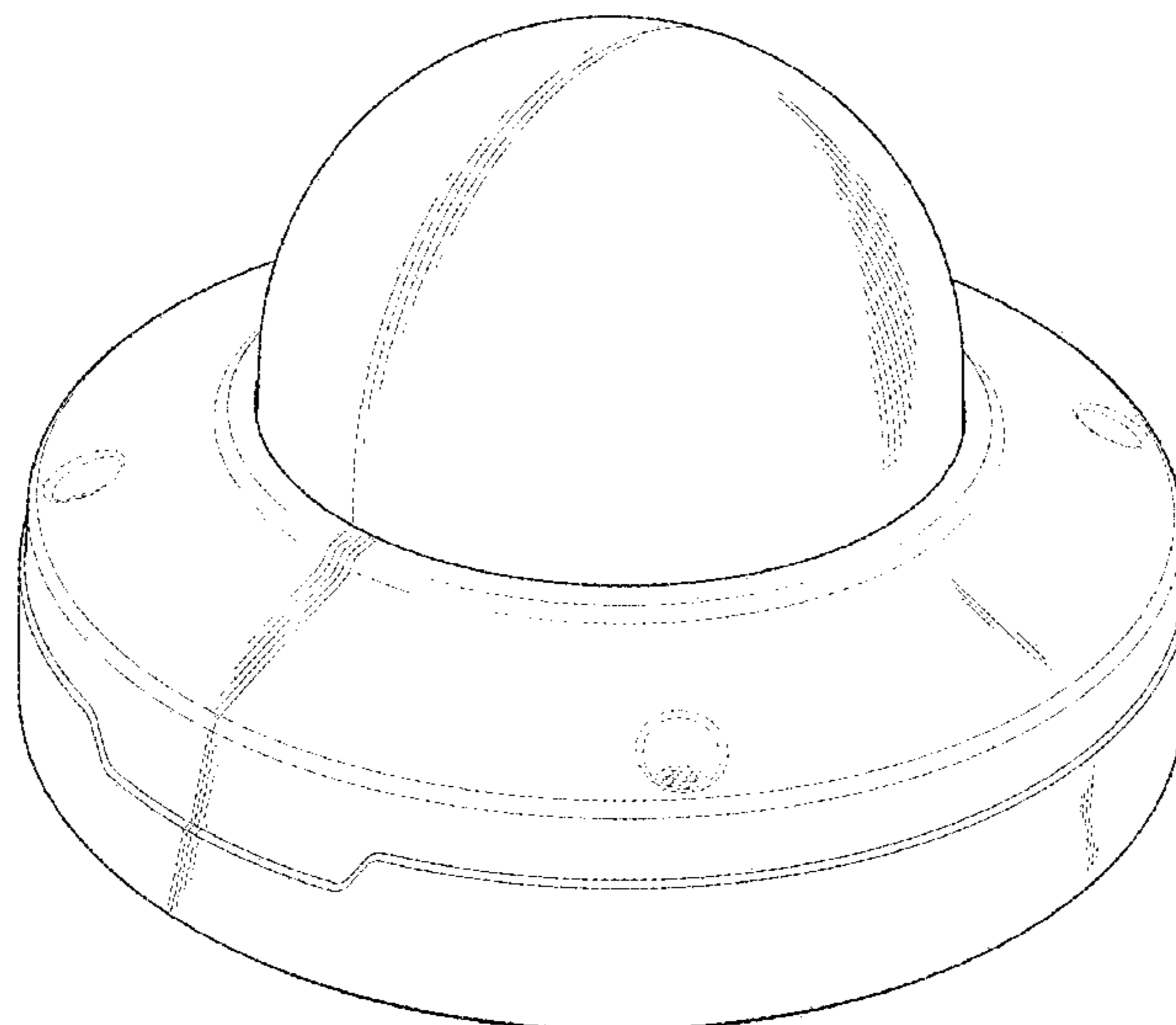
(57) **CLAIM**

The ornamental design for a camera, as shown and described.

**DESCRIPTION**

FIG. 1 is a perspective view of a camera showing our new design;  
FIG. 2 is a front view thereof;  
FIG. 3 is a rear view thereof;  
FIG. 4 is a left side view thereof;  
FIG. 5 is a right side view thereof;  
FIG. 6 is a top view thereof; and,  
FIG. 7 is a bottom view thereof.  
The broken lines depict portions of the camera in which the design is embodied that form no part of the claimed design.

**1 Claim, 5 Drawing Sheets**



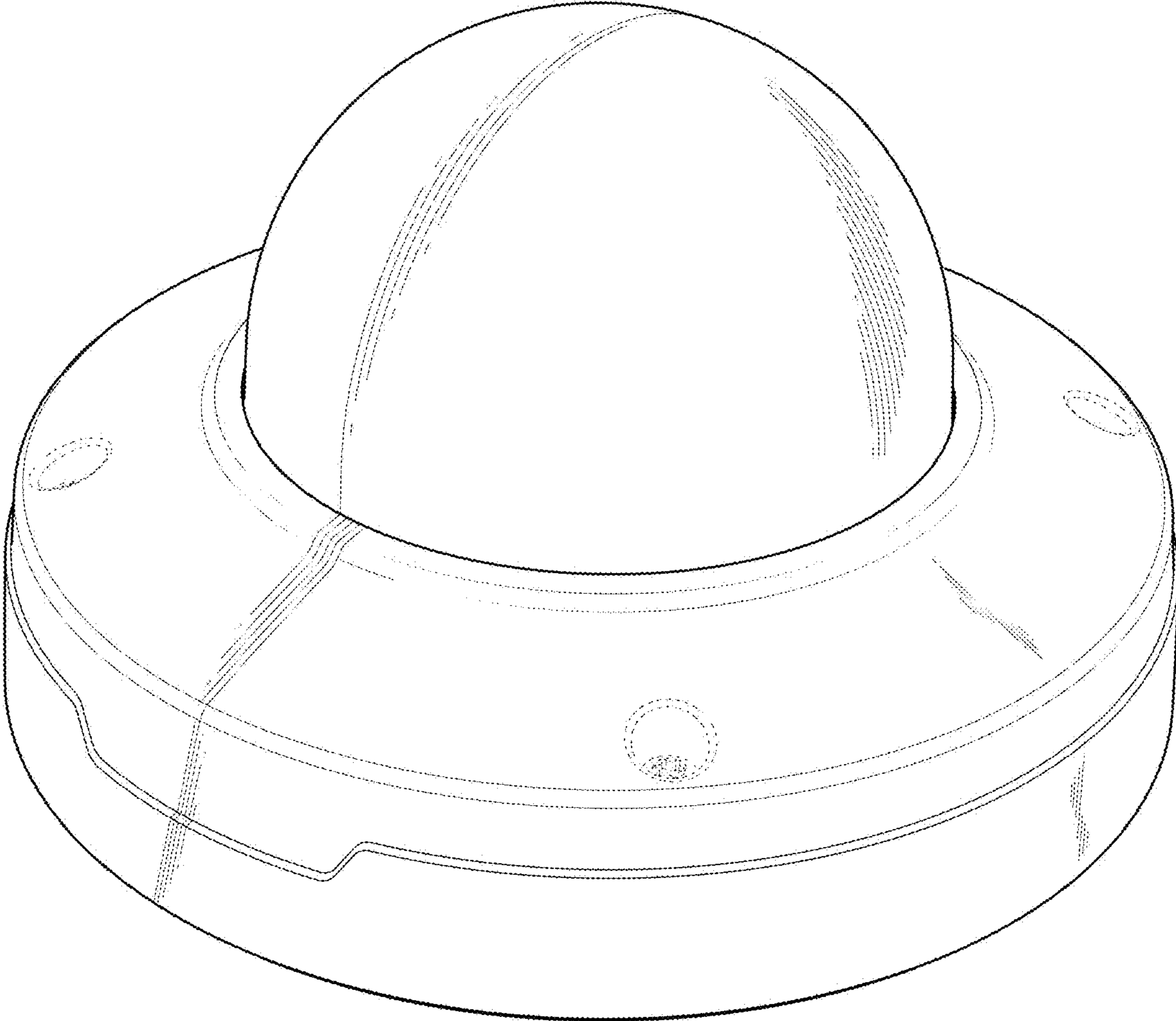


FIG. 1

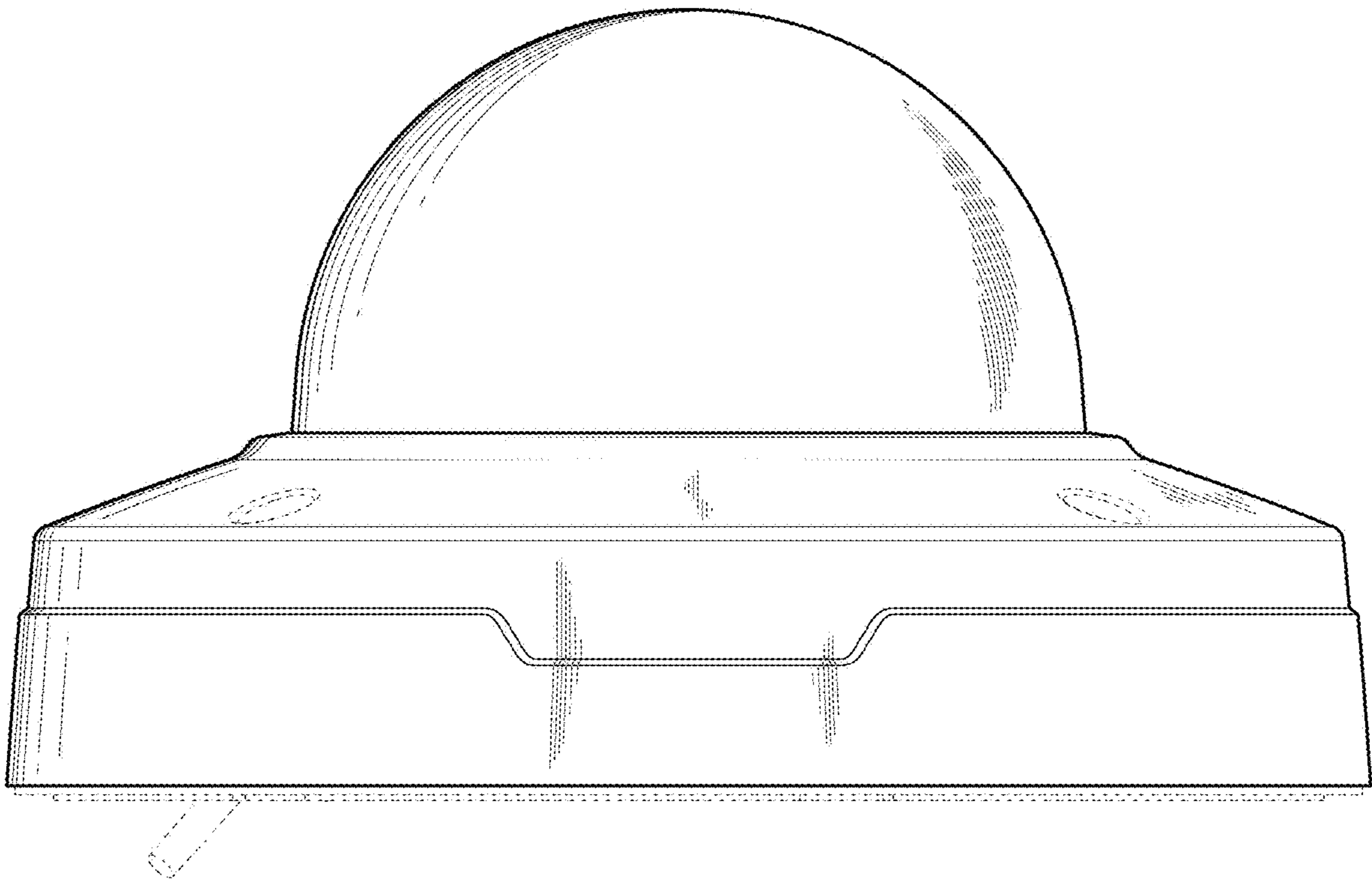


FIG. 2

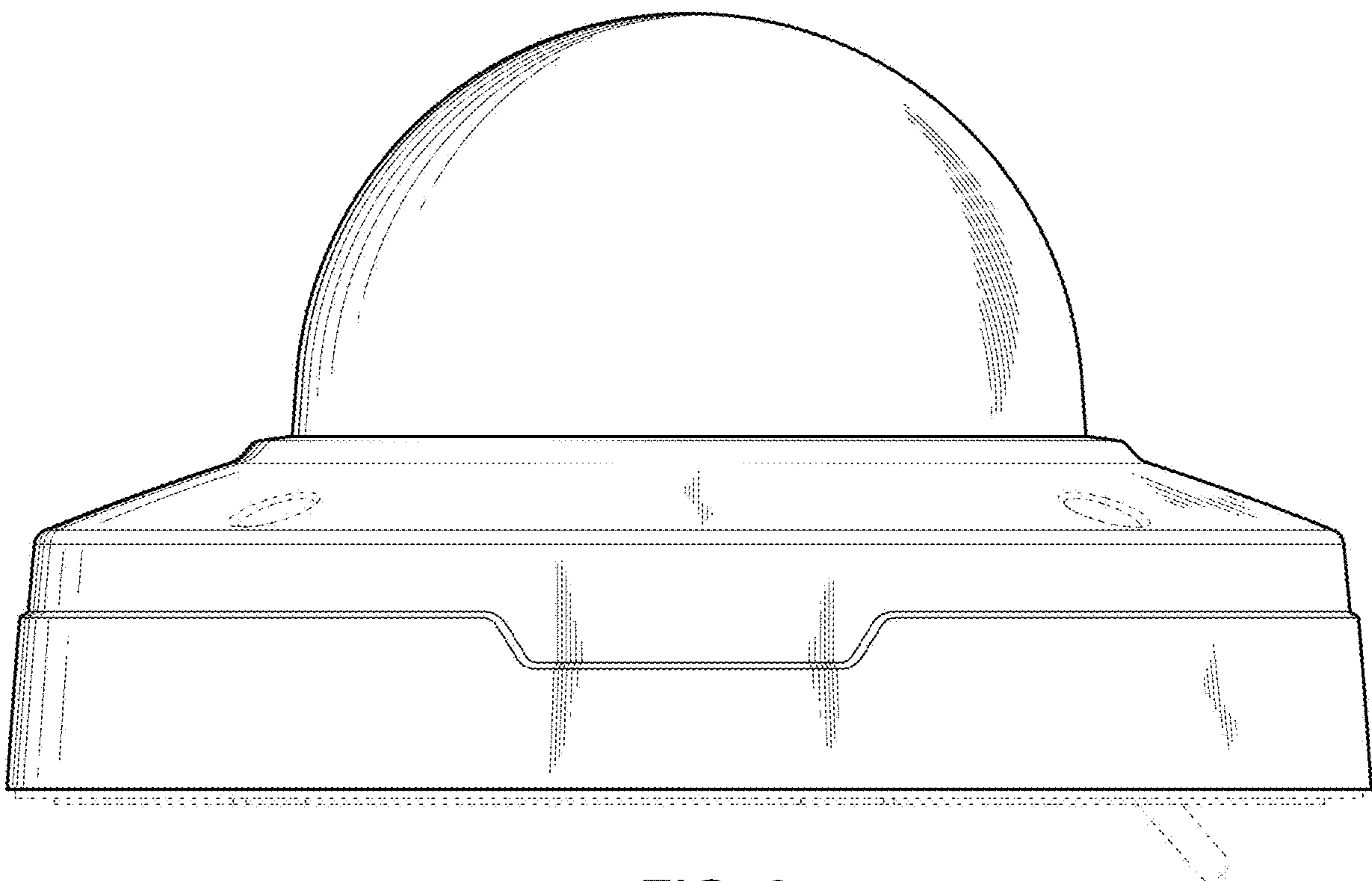


FIG. 3

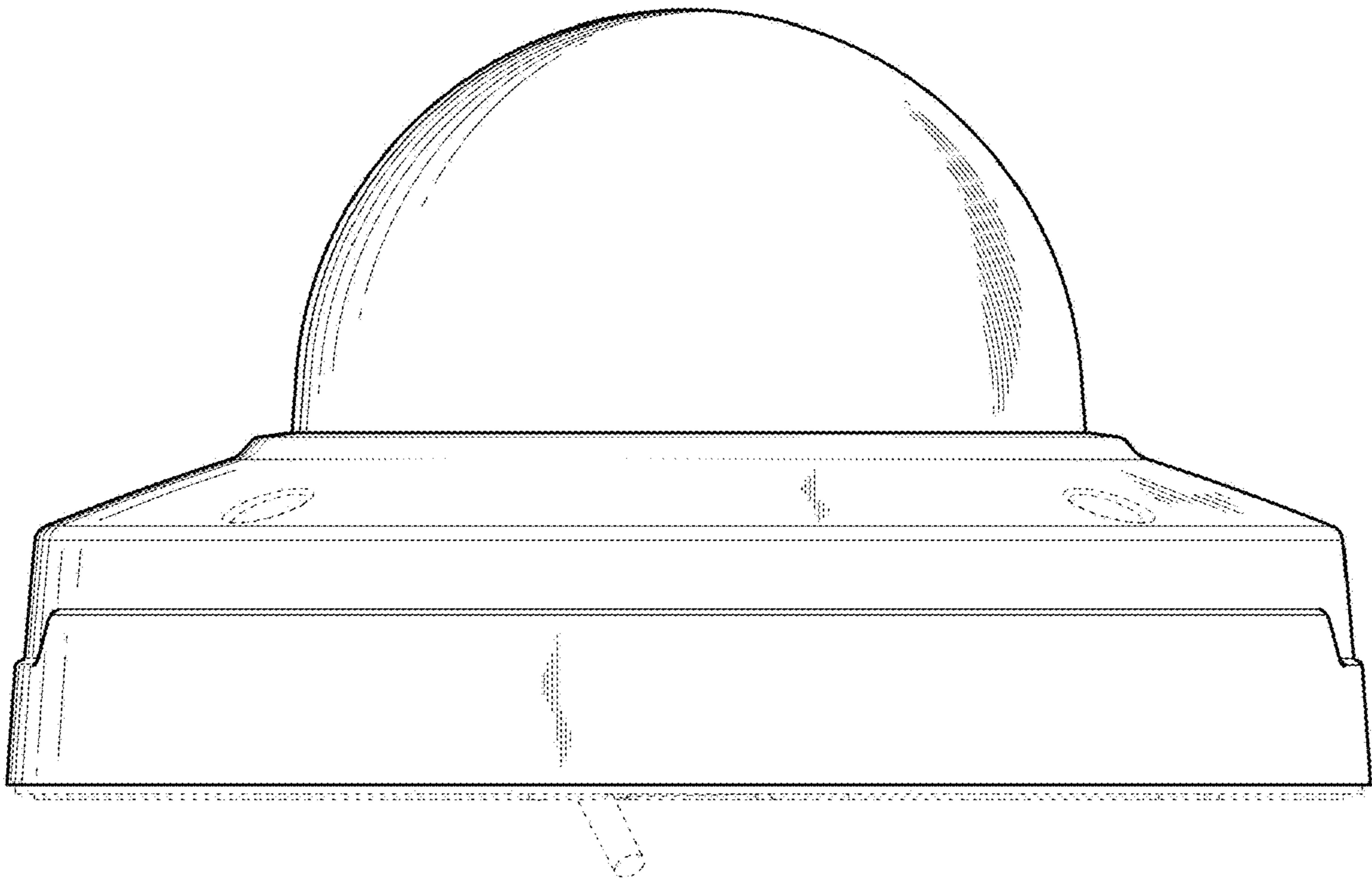


FIG. 4

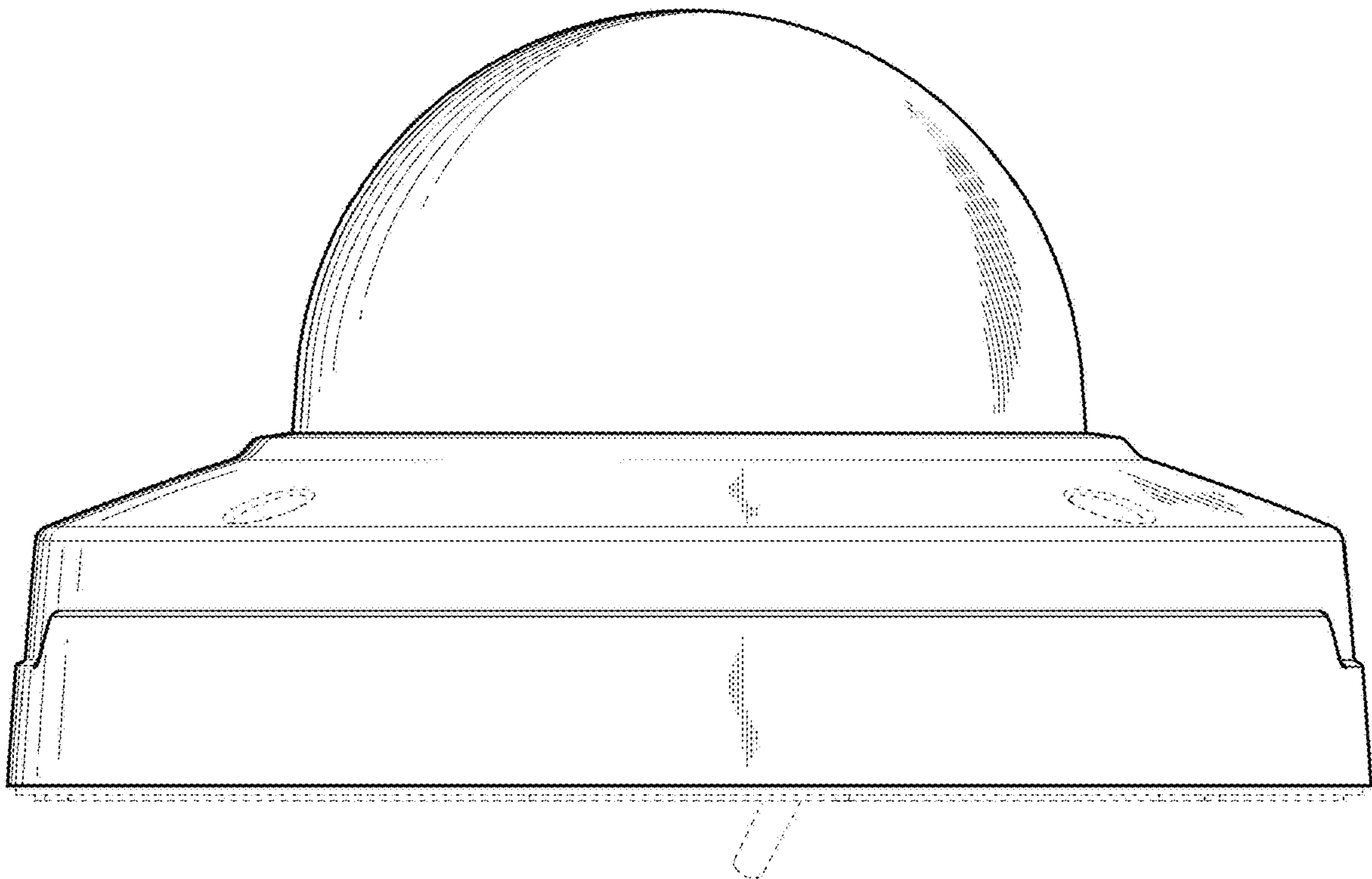


FIG. 5

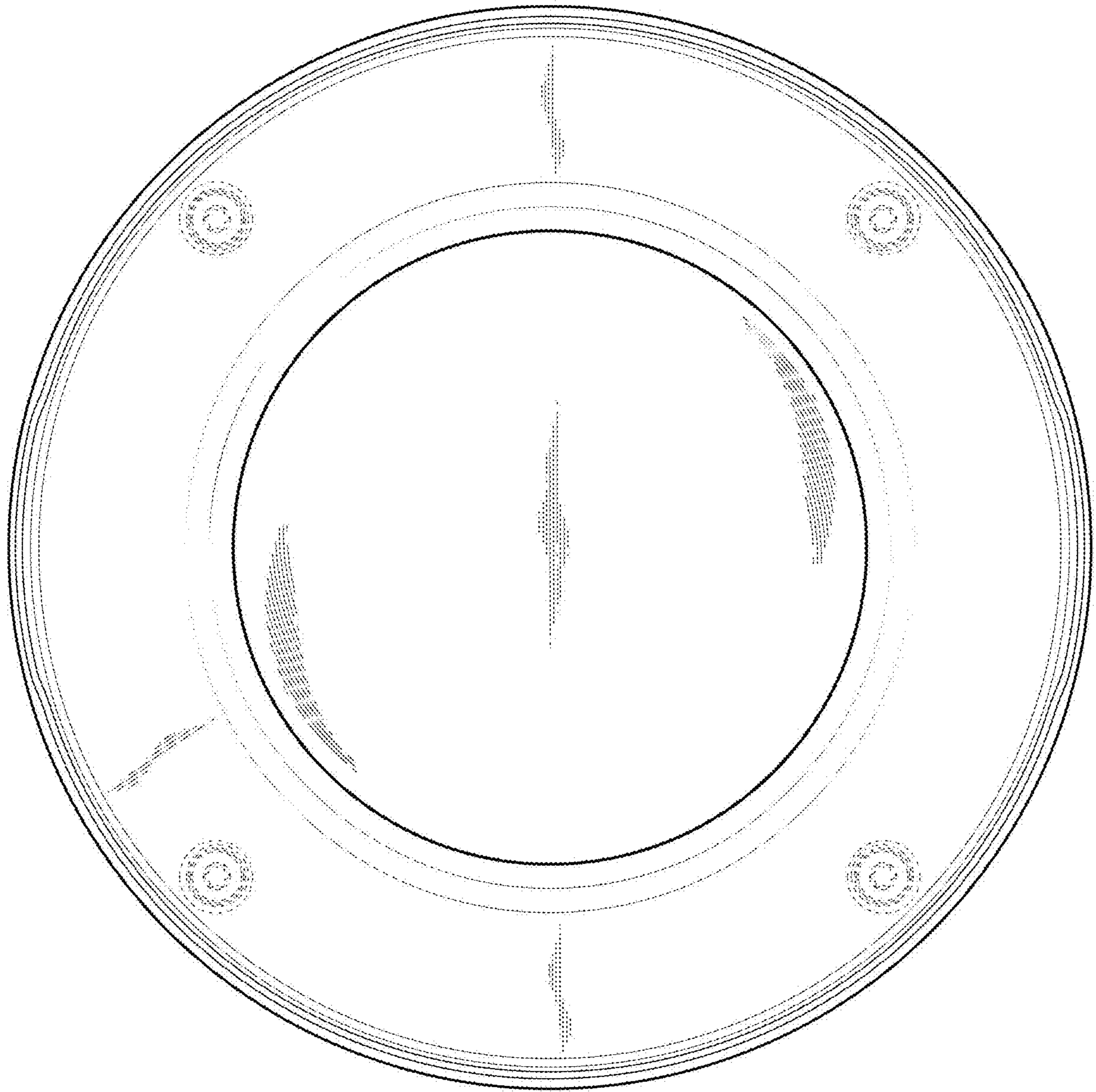


FIG. 6

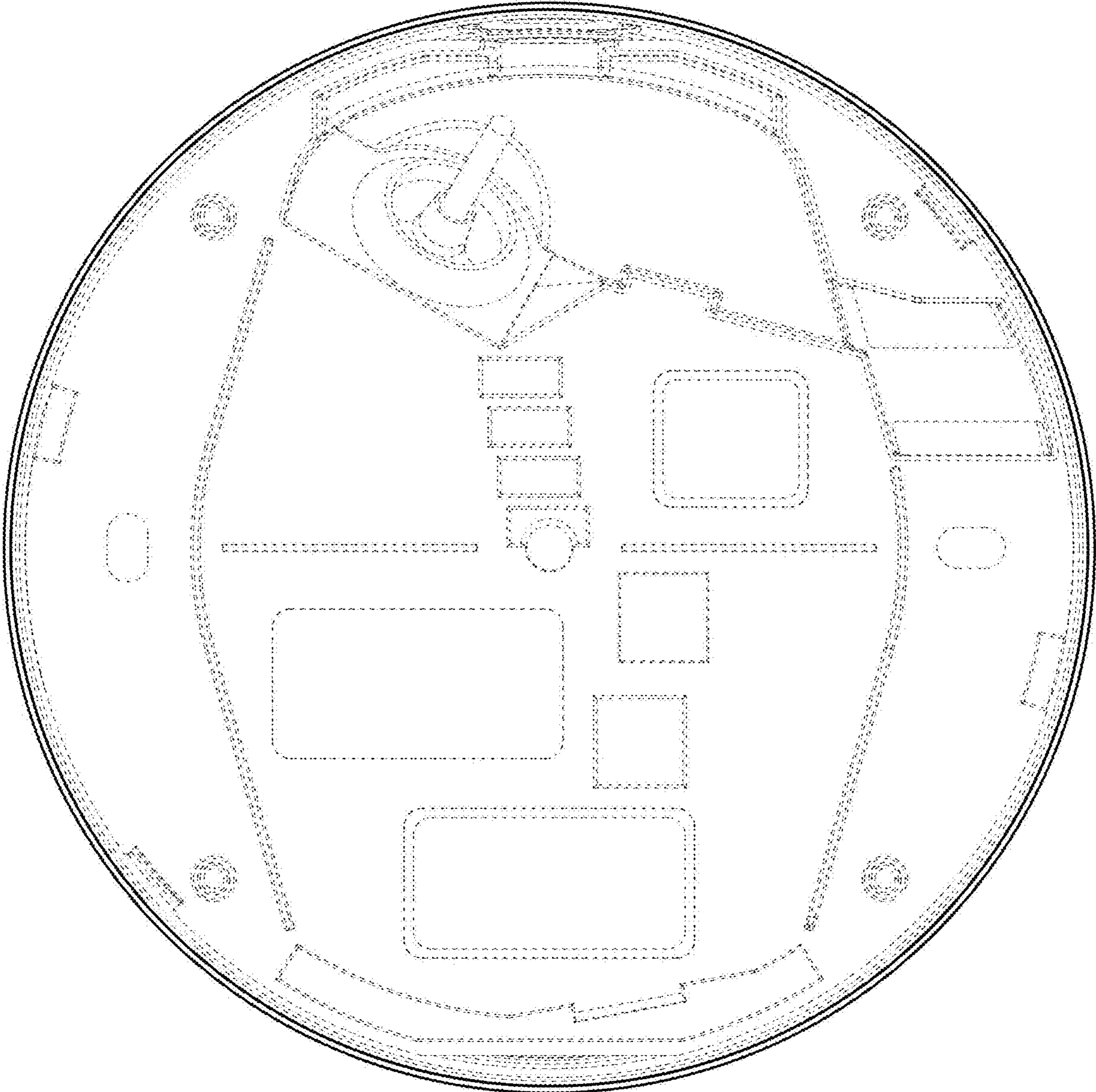


FIG. 7