



US00D870791S

(12) **United States Design Patent** (10) **Patent No.:** **US D870,791 S**
Hasani (45) **Date of Patent:** **** Dec. 24, 2019**

(54) **SURVEILLANCE CAMERA ENCLOSURE**
(71) Applicant: **Parabit Systems, Inc.**, Roosevelt, NY (US)
(72) Inventor: **Mohammad Hasani**, Brooklyn, NY (US)
(73) Assignee: **Parabit Systems, Inc.**, Roosevelt, NY (US)

D339,517 S 9/1993 Jobit
D342,334 S * 12/1993 Vakil D10/106.8
D359,922 S * 7/1995 Sandell D10/106.7
D359,923 S * 7/1995 Sandell D10/106.7
D395,408 S * 6/1998 Wiesemann D10/106.8
(Continued)

(**) Term: **15 Years**
(21) Appl. No.: **29/654,627**
(22) Filed: **Jun. 26, 2018**
(51) **LOC (12) Cl.** **16-01**
(52) **U.S. Cl.**
USPC **D16/203**
(58) **Field of Classification Search**
USPC D16/200–220, 131, 237, 242, 239, 250,
D16/235, 130, 134, 136, 238;
D14/138 C, 240, 248, 203.1, 203.3, 203.7,
D14/218, 207; D10/104.1, 50, 65, 74,
D10/70, 118.2, 106.6, 106.8; D6/542,
D6/545
CPC . G02B 7/02; G02B 7/021; G02B 7/04; G02B
7/14; G02B 7/003; G03B 17/00; G03B
17/02; G03B 17/56; G03B 17/04; G03B
17/14; G03B 17/08; G03B 15/03; G03B
15/06; H04N 5/2251; H04N 5/2252;
H04N 5/2253; H04N 5/2254; H04N 7/00;
H04N 2101/00; F16M 13/00
See application file for complete search history.

FOREIGN PATENT DOCUMENTS

CN 304665368 * 6/2018
CN 304665384 * 6/2018

OTHER PUBLICATIONS

Bandit Barrier Cameras and Enclosures, no publication date available [online], [retrieved Jun. 8, 2019], Available from Internet, URL: https://www.parabit.com/cameras-enclosures.*

(Continued)

Primary Examiner — T Chase Nelson
Assistant Examiner — Mary Claire Ramirez
(74) *Attorney, Agent, or Firm* — Gerald E. Hespos;
Michael J. Porco; Matthew T. Hespos

(57) **CLAIM**

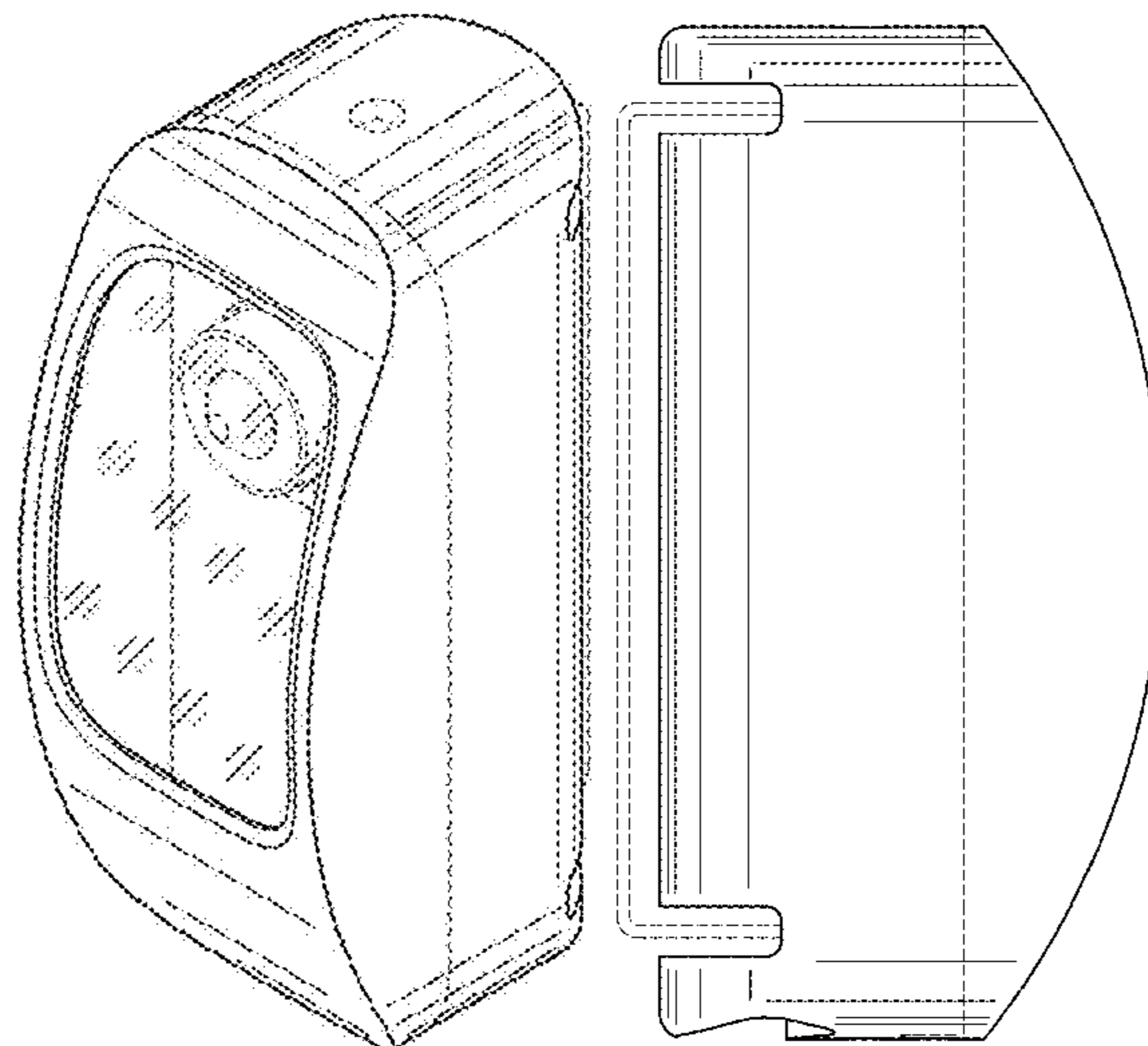
The ornamental design for a surveillance camera enclosure, as shown and described.

DESCRIPTION

FIG. 1 is a front, top, right perspective view of a surveillance camera enclosure showing my new design; FIG. 2 is a front elevational view thereof; FIG. 3 is a rear elevational view thereof; FIG. 4 is a right side elevational view thereof; FIG. 5 is a left side elevational view thereof; FIG. 6 is a top plan view thereof; FIG. 7 is a bottom plan view thereof; and, FIG. 8 is a rear, top perspective view thereof. The broken lines shown in the drawings depict portions of the surveillance camera enclosure that form no part of the claimed design.

1 Claim, 8 Drawing Sheets

(56) **References Cited**
U.S. PATENT DOCUMENTS
2,227,974 A * 1/1941 Hughey G03B 17/04
292/226
D275,658 S * 9/1984 Kahl, Jr. D10/106.6
D294,211 S * 2/1988 Lax D6/518
D301,696 S * 6/1989 Greenlee D10/106.7



(56)

References Cited

U.S. PATENT DOCUMENTS

D420,458 S * 2/2000 Guercio D26/24
 D425,534 S 5/2000 Mutoh et al.
 D428,352 S * 7/2000 Hiller D10/106.7
 D438,998 S * 3/2001 Finke D10/106.1
 D446,531 S 8/2001 Beck
 D455,164 S 4/2002 Tsang
 D456,432 S 4/2002 Kim
 6,375,370 B1 4/2002 Wesselink
 D459,378 S 6/2002 Masamitsu
 6,411,332 B1 6/2002 Whitby
 D468,333 S 1/2003 Fenton
 D477,345 S 7/2003 Hildreth
 D486,847 S 2/2004 Uehara
 D487,764 S 3/2004 Adachi et al.
 D501,494 S 2/2005 Ogura
 D517,585 S 3/2006 Iino et al.
 D520,548 S 5/2006 Tsai
 D532,809 S 11/2006 Shih
 D535,204 S 1/2007 Bender et al.
 D542,319 S 5/2007 Ishida et al.
 D543,567 S 5/2007 Kato et al.
 7,217,044 B1 5/2007 Marks, Jr.
 D548,763 S 8/2007 Boris
 D550,266 S 9/2007 Lau
 D550,267 S 9/2007 Oh
 D552,650 S 10/2007 Yamakawa et al.
 D554,168 S 10/2007 Shi
 D556,233 S 11/2007 Webb
 D563,133 S * 3/2008 Kramer D6/545
 7,346,196 B2 3/2008 Gin
 D565,631 S * 4/2008 Morishita D16/230
 D579,474 S 10/2008 Yoo et al.
 D586,028 S * 2/2009 Condon D26/72
 D594,364 S * 6/2009 Decker D10/106.8
 D597,117 S 7/2009 Yamane et al.
 D602,970 S 10/2009 Lee
 7,710,452 B1 5/2010 Linberg
 D616,683 S * 6/2010 Law D6/545
 D624,106 S 9/2010 Cho et al.
 D633,930 S 3/2011 Dinger
 D641,771 S 7/2011 Sasaki
 D648,362 S * 11/2011 Byun D16/204
 D651,229 S 12/2011 Tan
 D664,876 S * 8/2012 Krumpe D10/106.6
 D664,878 S * 8/2012 Schenck D10/106.8
 8,593,567 B2 11/2013 Xiao

D698,841 S 2/2014 Lee
 D708,654 S 7/2014 Tani
 D718,360 S 11/2014 Matoba et al.
 D723,395 S 3/2015 Dispenza et al.
 D736,845 S 8/2015 Yilin
 D741,395 S * 10/2015 Oh D16/239
 D743,467 S 11/2015 Bhattacharya
 D750,681 S 3/2016 Takami
 D751,129 S 3/2016 Lellky
 D751,622 S 3/2016 Mao
 D755,876 S 5/2016 Moss
 D757,146 S 5/2016 Walter
 D759,621 S 6/2016 Maxwell
 D769,956 S 10/2016 Hinkel
 D771,174 S 11/2016 Hinkel
 D783,075 S 4/2017 Maxwell
 D788,834 S 6/2017 Bhattacharya
 D800,201 S 10/2017 Song
 D802,199 S * 11/2017 Zhuo D26/85
 9,826,128 B1 11/2017 Ballard
 D809,045 S 1/2018 Jou
 D811,770 S * 3/2018 Brownley D6/545
 D820,894 S 6/2018 Tang
 D822,745 S 7/2018 Shang
 D825,639 S * 8/2018 Kan D16/203
 D833,504 S 11/2018 Leiponis
 D840,851 S 2/2019 Ammar
 D841,073 S 2/2019 Leiponis
 D842,620 S * 3/2019 Brownley D6/545
 D854,070 S * 7/2019 Tani D16/203
 D858,605 S * 9/2019 Tang D16/203
 2004/0139812 A1 7/2004 Erel
 2006/0062570 A1 * 3/2006 Kikuchi G03B 17/02
 396/439
 2006/0250260 A1 11/2006 Albert
 2010/0059550 A1 * 3/2010 Ciavarella A47K 5/1207
 222/325
 2013/0107110 A1 5/2013 Park
 2013/0215322 A1 8/2013 Haler
 2017/0192343 A1 7/2017 Leiponis et al.
 2019/0219899 A1 * 7/2019 Vega G03B 17/561

OTHER PUBLICATIONS

Covert Color Camera, Tower Camera CTV36PB; Specification Sheet; Advanced Technology Video; pp. 1-2; Copyright 2011.

* cited by examiner

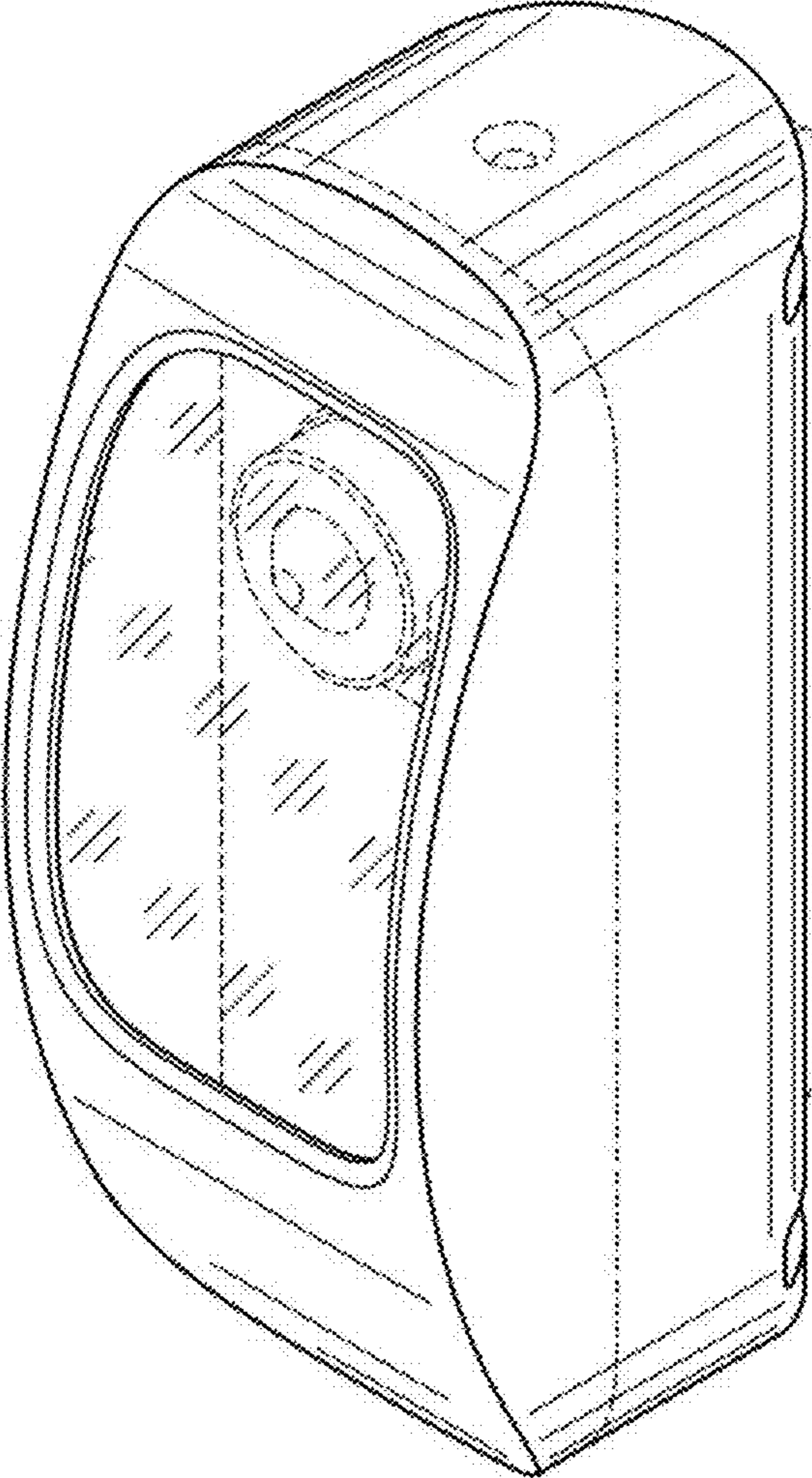


FIG. 1

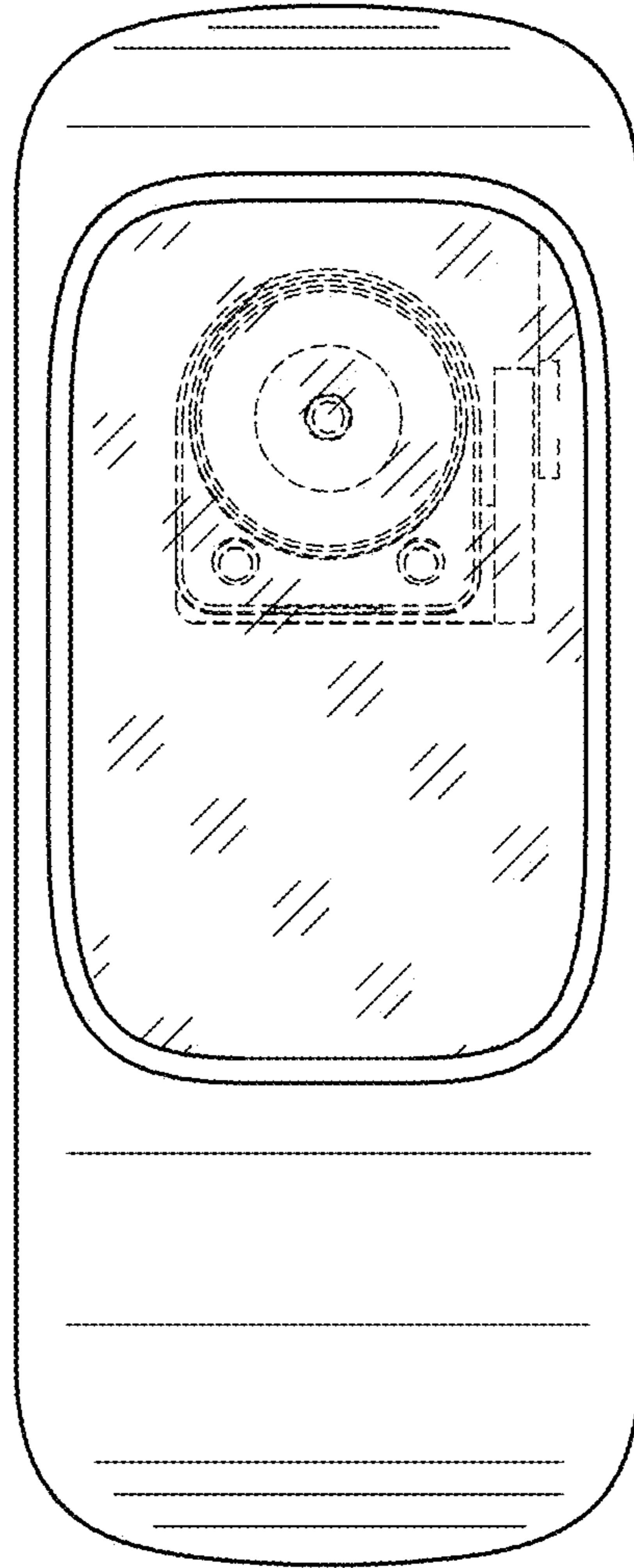


FIG. 2

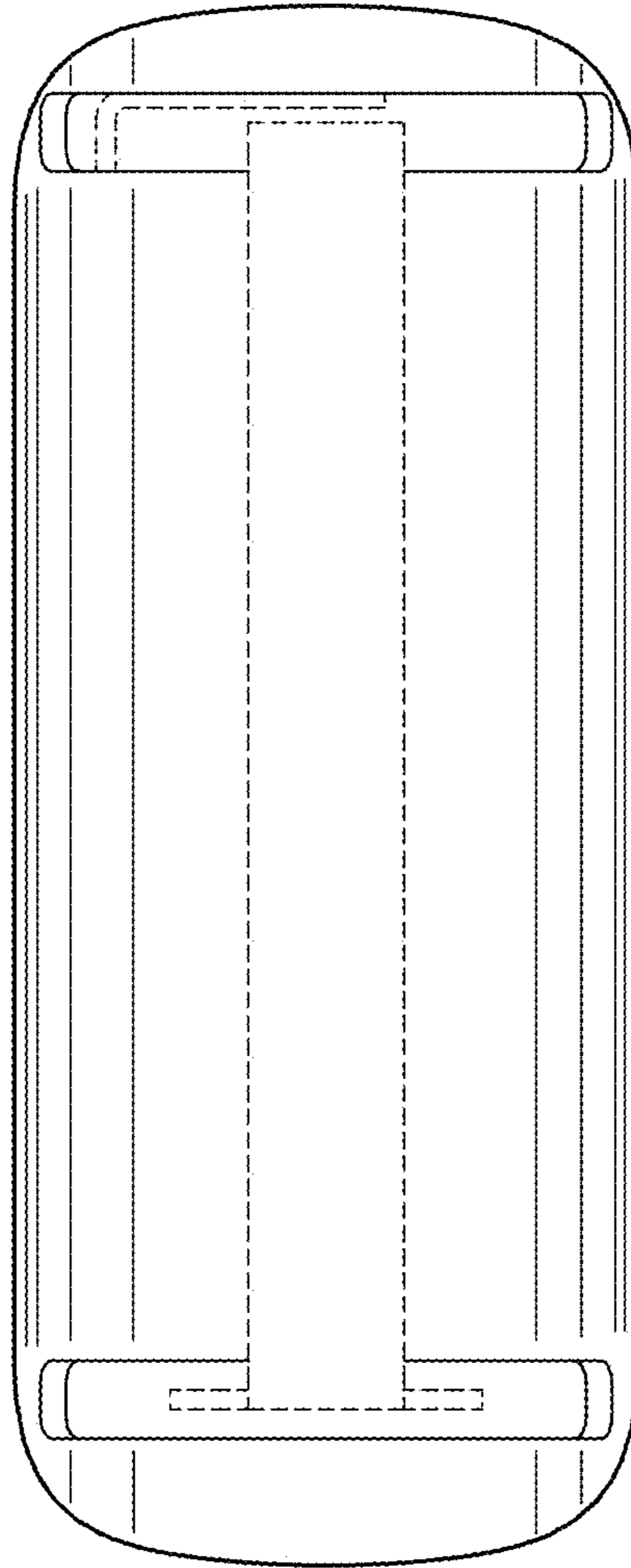


FIG. 3

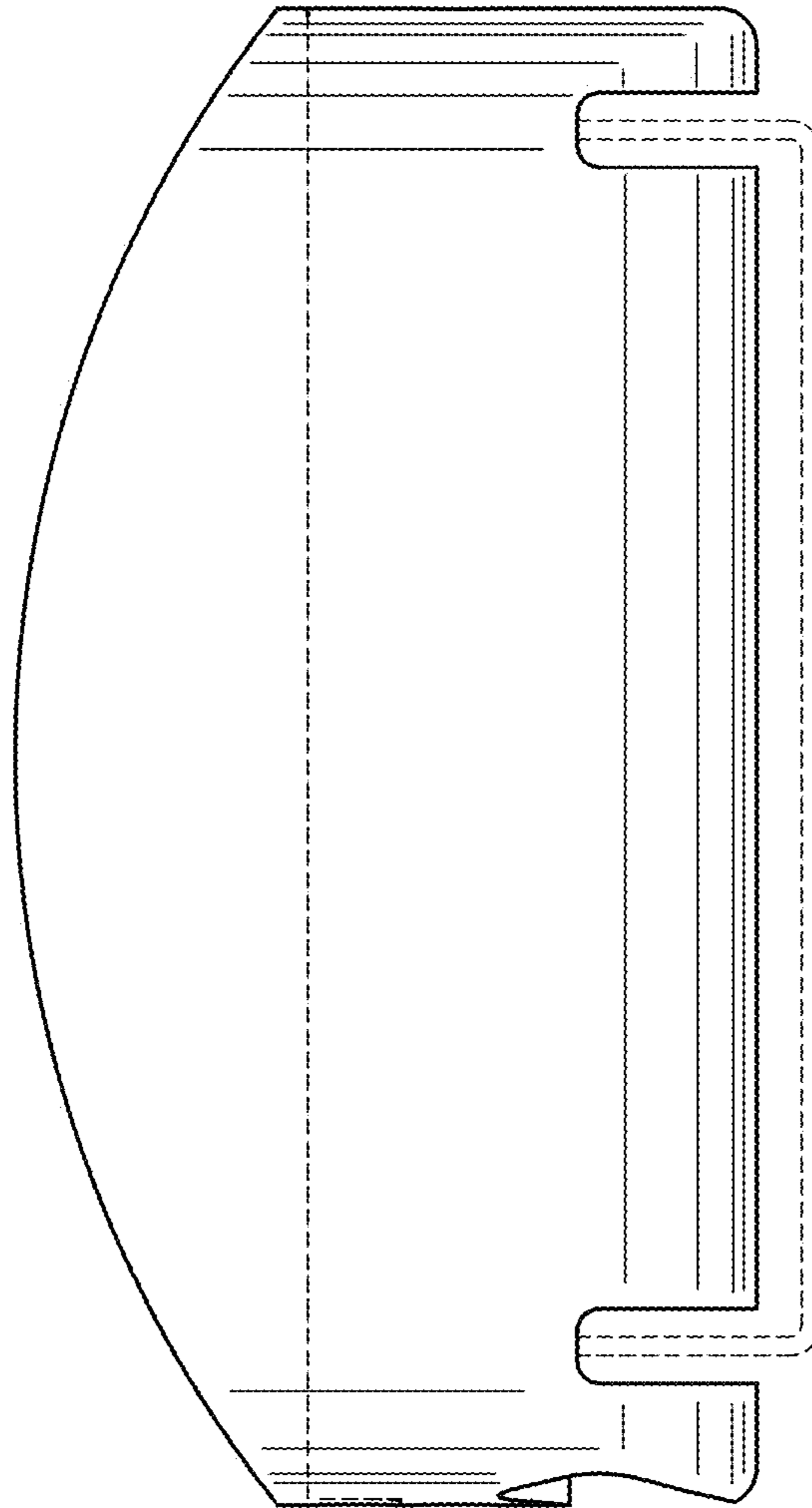


FIG. 4

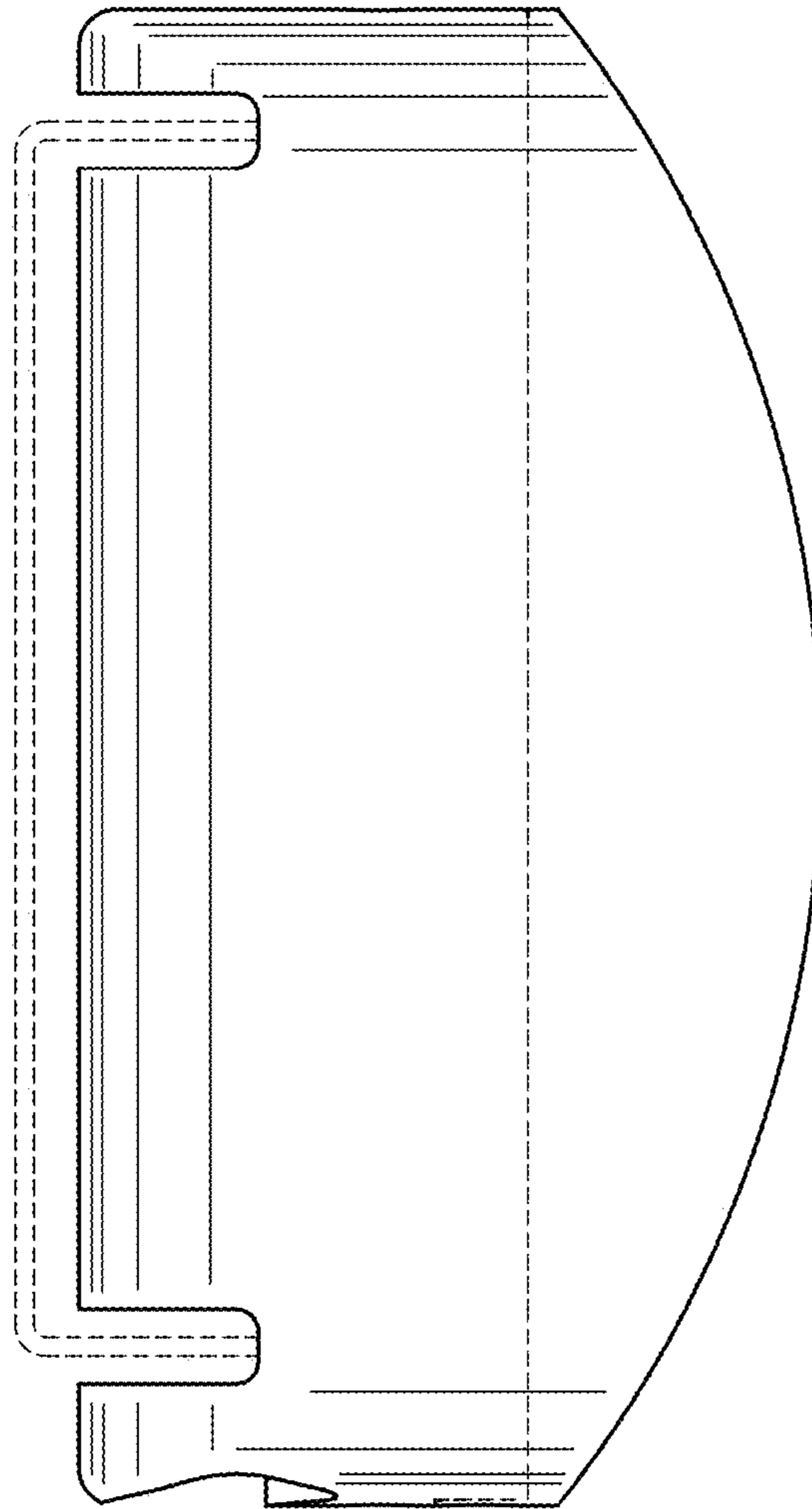


FIG. 5

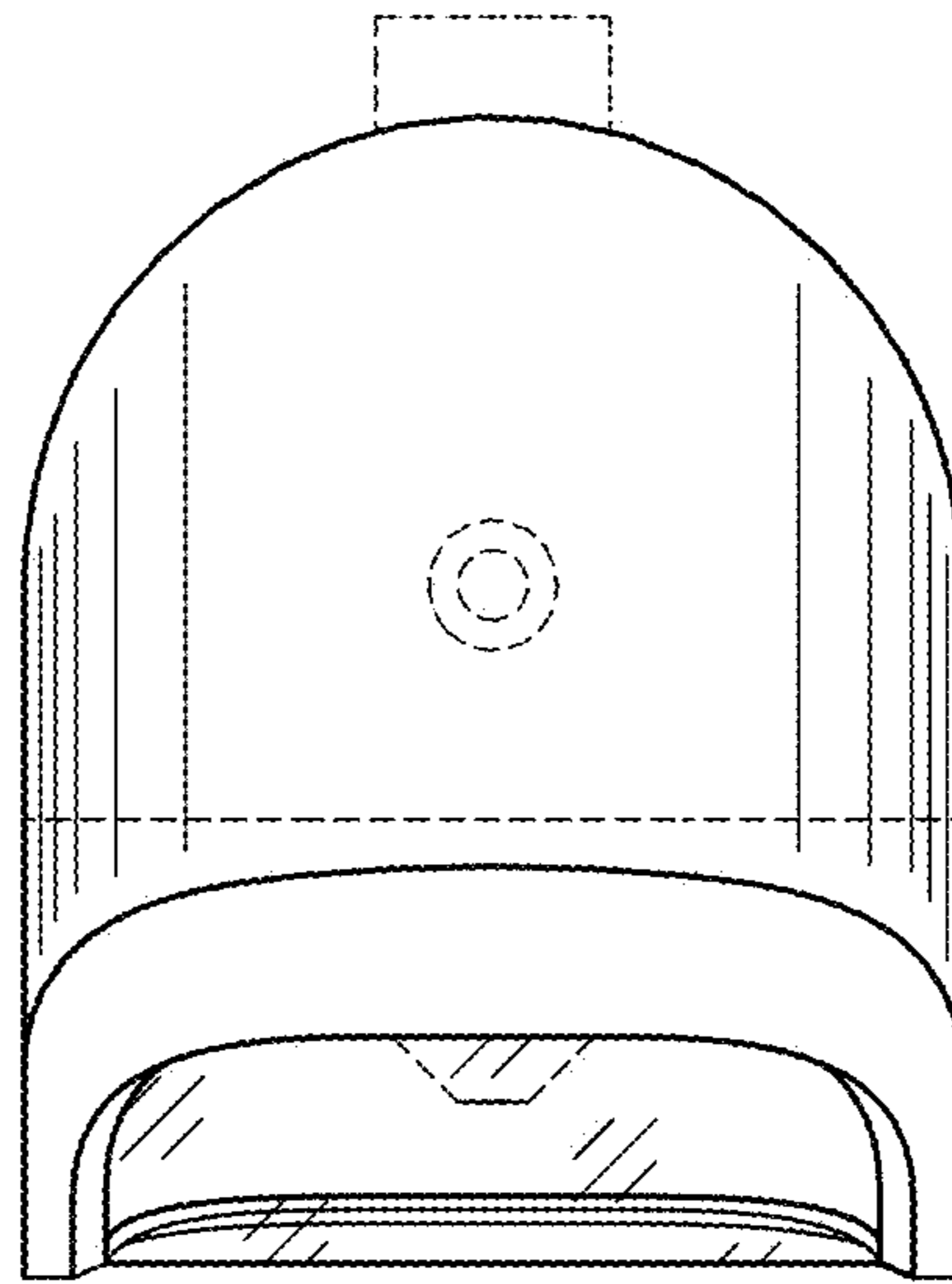


FIG. 6

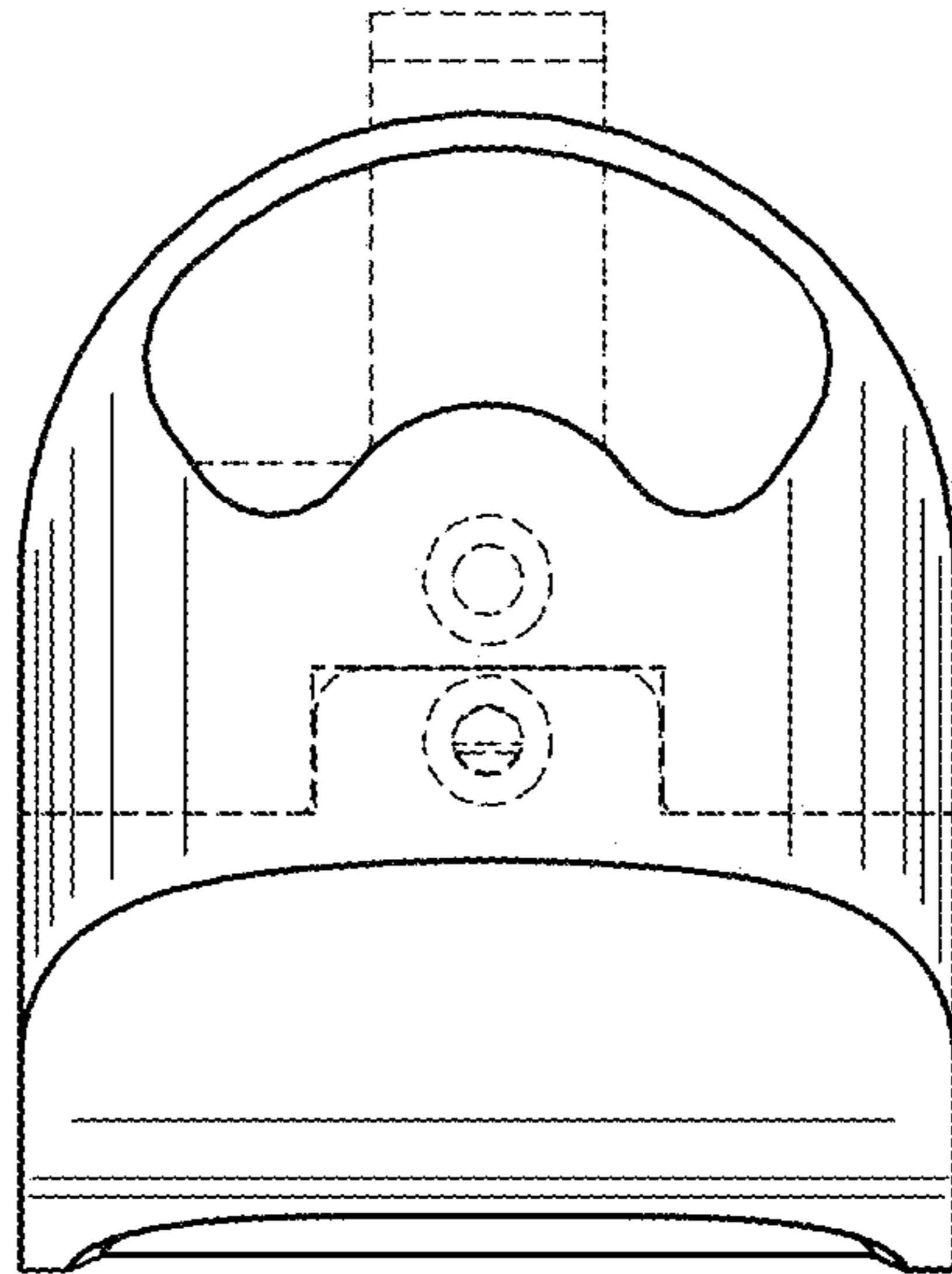


FIG. 7

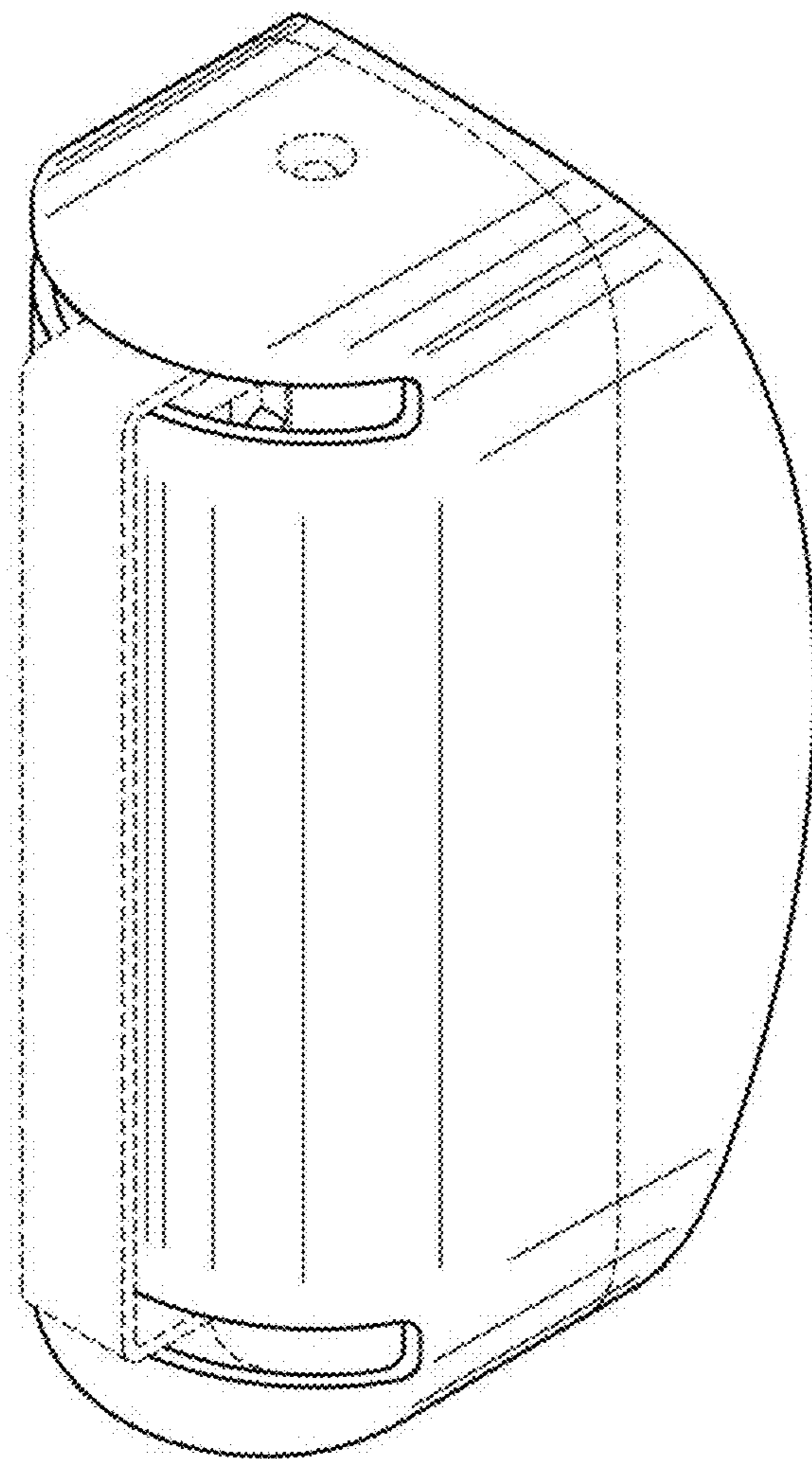


FIG. 8