



US00D870790S

(12) **United States Design Patent**
Depay et al.

(10) **Patent No.:** **US D870,790 S**

(45) **Date of Patent:** **** Dec. 24, 2019**

(54) **WEBCAM**

(71) Applicant: **Corsair Memory, Inc.**, Fremont, CA (US)

(72) Inventors: **Dean Depay**, Fremont, CA (US);
Michael Grey, Fremont, CA (US)

(73) Assignee: **Corsair Memory, Inc.**, Fremont, CA (US)

(**) Term: **15 Years**

(21) Appl. No.: **29/654,071**

(22) Filed: **Jun. 20, 2018**

(51) **LOC (12) Cl.** **16-01**

(52) **U.S. Cl.**
USPC **D16/202**

(58) **Field of Classification Search**
USPC D16/200–220, 131, 237, 242, 239, 250,
D16/235, 130, 134, 136, 238;
D14/138 C, 240, 248, 203.1, 203.3, 203.7,
D14/218, 207; D10/104.1, 50, 65, 74,
D10/70, 118.2

CPC . G02B 7/02; G02B 7/021; G02B 7/04; G02B
7/14; G02B 7/003; G03B 17/00; G03B
17/02; G03B 17/56; G03B 17/04; G03B
17/14; G03B 17/08; G03B 15/03; G03B
15/06; H04N 5/2251; H04N 5/2252;
H04N 5/2253; H04N 5/2254; H04N 7/00;
H04N 2101/00; F16M 13/00
See application file for complete search history.

(56) **References Cited**

U.S. PATENT DOCUMENTS

D566,148 S * 4/2008 Akita D16/202
D600,730 S * 9/2009 Su D16/202
D629,031 S * 12/2010 Su D16/202
D631,497 S * 1/2011 Han D16/202
D641,388 S * 7/2011 Shih D16/202
D641,770 S * 7/2011 Hoehn D16/202

D651,229 S * 12/2011 Tan D16/202
D654,942 S * 2/2012 Khamsepoor D16/202
D660,338 S * 5/2012 Chen D16/202
D664,579 S * 7/2012 Tzeng D16/202
D665,439 S * 8/2012 Khamsepoor D16/202
D675,660 S * 2/2013 Su D16/202
D678,380 S * 3/2013 Pardo D16/202
D680,146 S * 4/2013 Tsai D16/202
D682,332 S * 5/2013 Wang D16/202
D685,015 S * 6/2013 Wang D16/202
D694,796 S * 12/2013 Tsai D16/202
D719,976 S * 12/2014 Bang D14/203.1
D725,171 S * 3/2015 Mita D16/202

(Continued)

OTHER PUBLICATIONS

HD92 Webcam 1080P, published May 20, 2018 [online], [retrieved Sep. 2, 2019] Available from Internet, URL: <https://web.archive.org/web/20180520224630/http://www.irush.live/product/hd92-webcam-1080p/>.*

(Continued)

Primary Examiner — Barbara Fox
Assistant Examiner — Mary Claire Ramirez
(74) *Attorney, Agent, or Firm* — Carina Tan

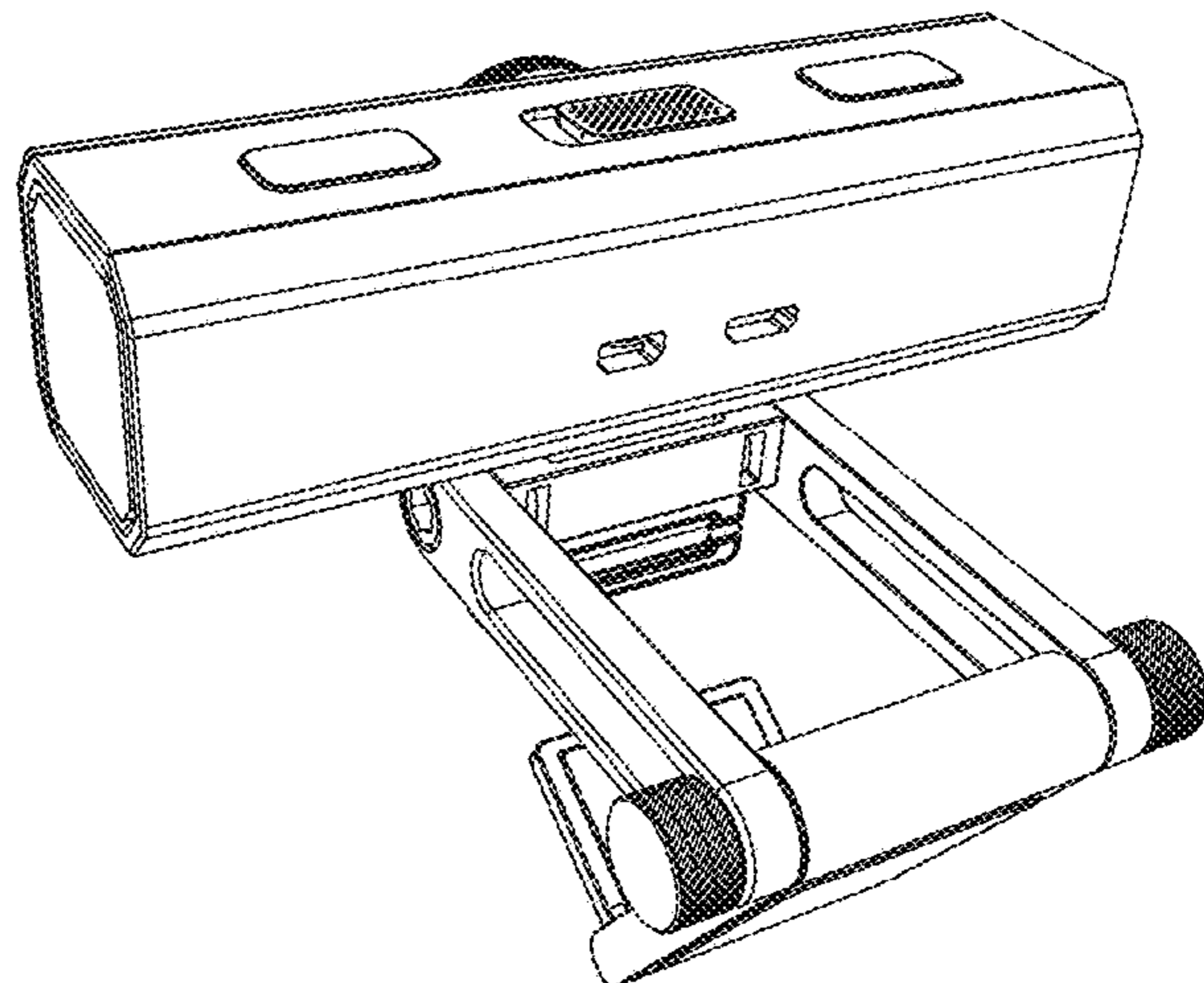
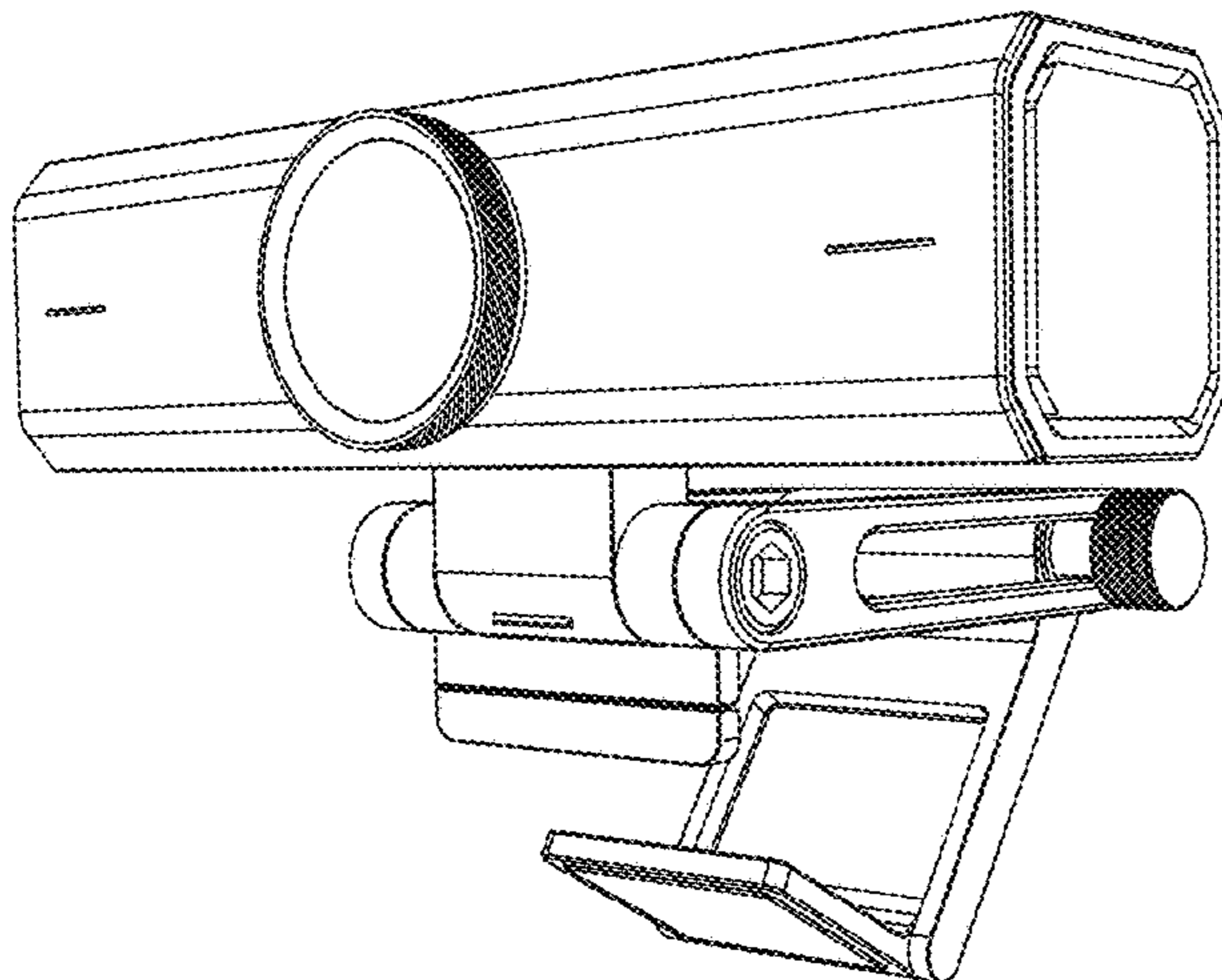
(57) **CLAIM**

The ornamental design for a webcam, as shown and described.

DESCRIPTION

FIG. 1 is a front perspective view of a webcam showing our design;
FIG. 2 is a rear perspective view of the webcam;
FIG. 3 is a top perspective view of the webcam;
FIG. 4 is a front view of the webcam;
FIG. 5 is a bottom view of the webcam;
FIG. 6 is a top view of the webcam;
FIG. 7 is a right view of the webcam; and,
FIG. 8 is a left view of the webcam.

1 Claim, 8 Drawing Sheets



(56)

References Cited

U.S. PATENT DOCUMENTS

D730,965	S	*	6/2015	Ham	D16/202
D745,588	S	*	12/2015	Cho	D16/218
D807,939	S	*	1/2018	Lundin	D16/200
D809,045	S	*	1/2018	Jou	D16/202
D810,802	S	*	2/2018	Schulze	D16/202
D849,086	S	*	5/2019	Russo	D16/202
D849,089	S	*	5/2019	Lu	D16/202

OTHER PUBLICATIONS

Logitech C925e HD Webcam, published 2019 [online], [retrieved Sep. 2, 2019] Available from Internet, URL: https://www.bhphotovideo.com/c/product/1370830-REG/logitech_960_001075_c925e_webcam.html.*

720P HD USB 3.0 2.0 Webcam, published Jul. 1, 2019 [online], [retrieved Sep. 2, 2019] Available from Internet, URL: <https://www.ebay.ca/itm/720P-HD-USB-3-0-2-0-Webcam-Web-Cam-Camera-with-MIC-For-Laptop-Desktop-PC-A9O3-/163370163442>.*

* cited by examiner

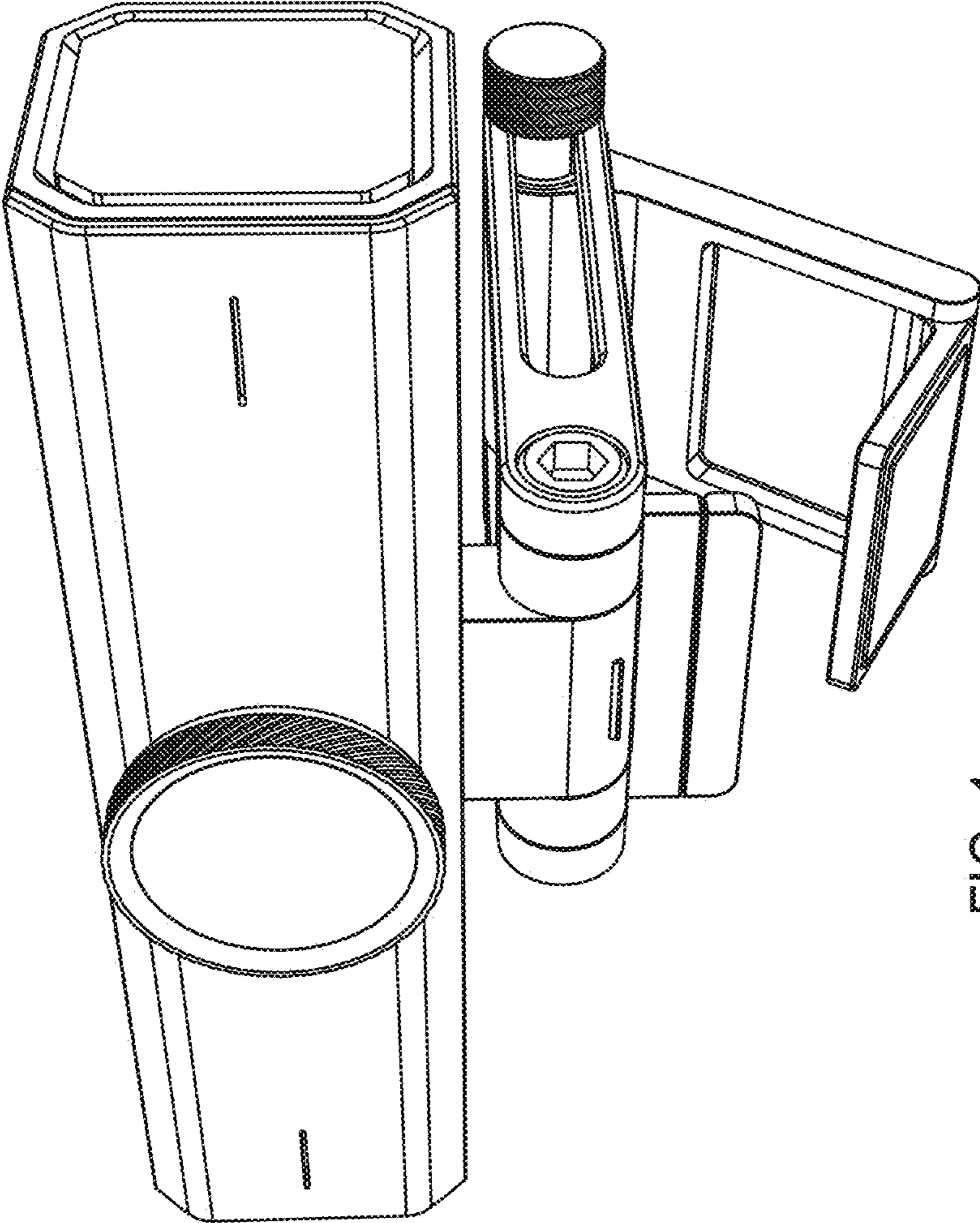


FIG. 1

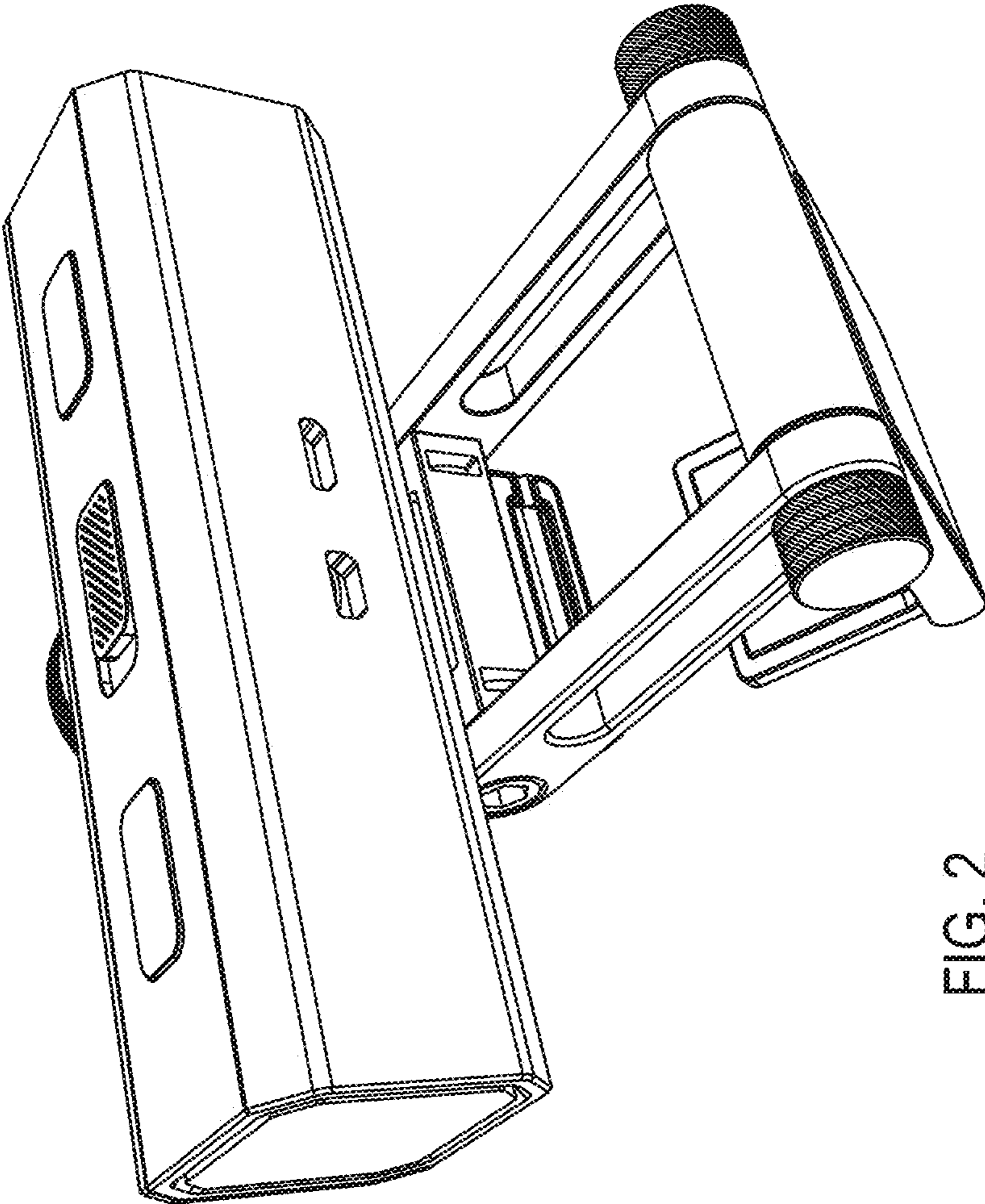


FIG. 2

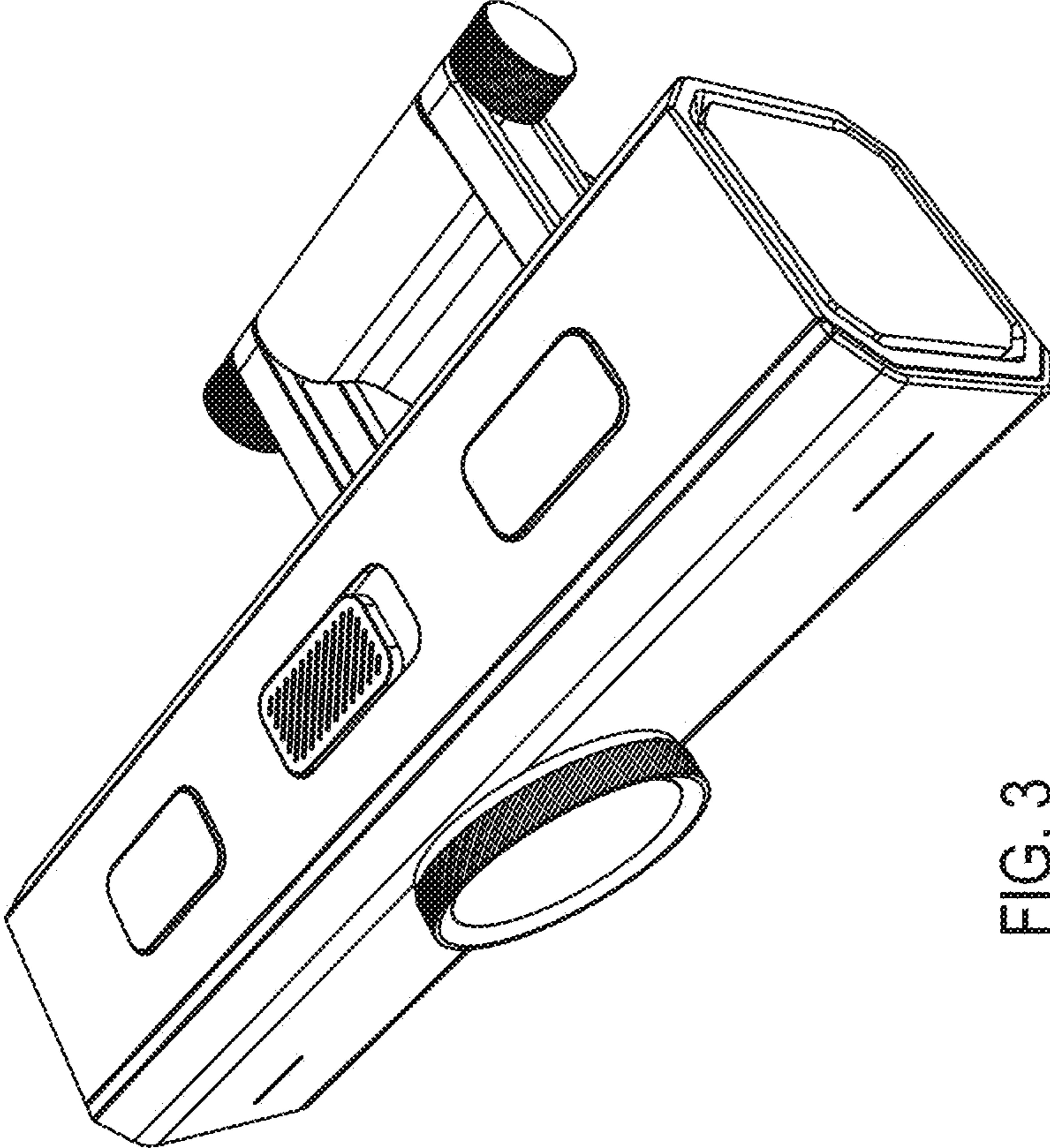


FIG. 3

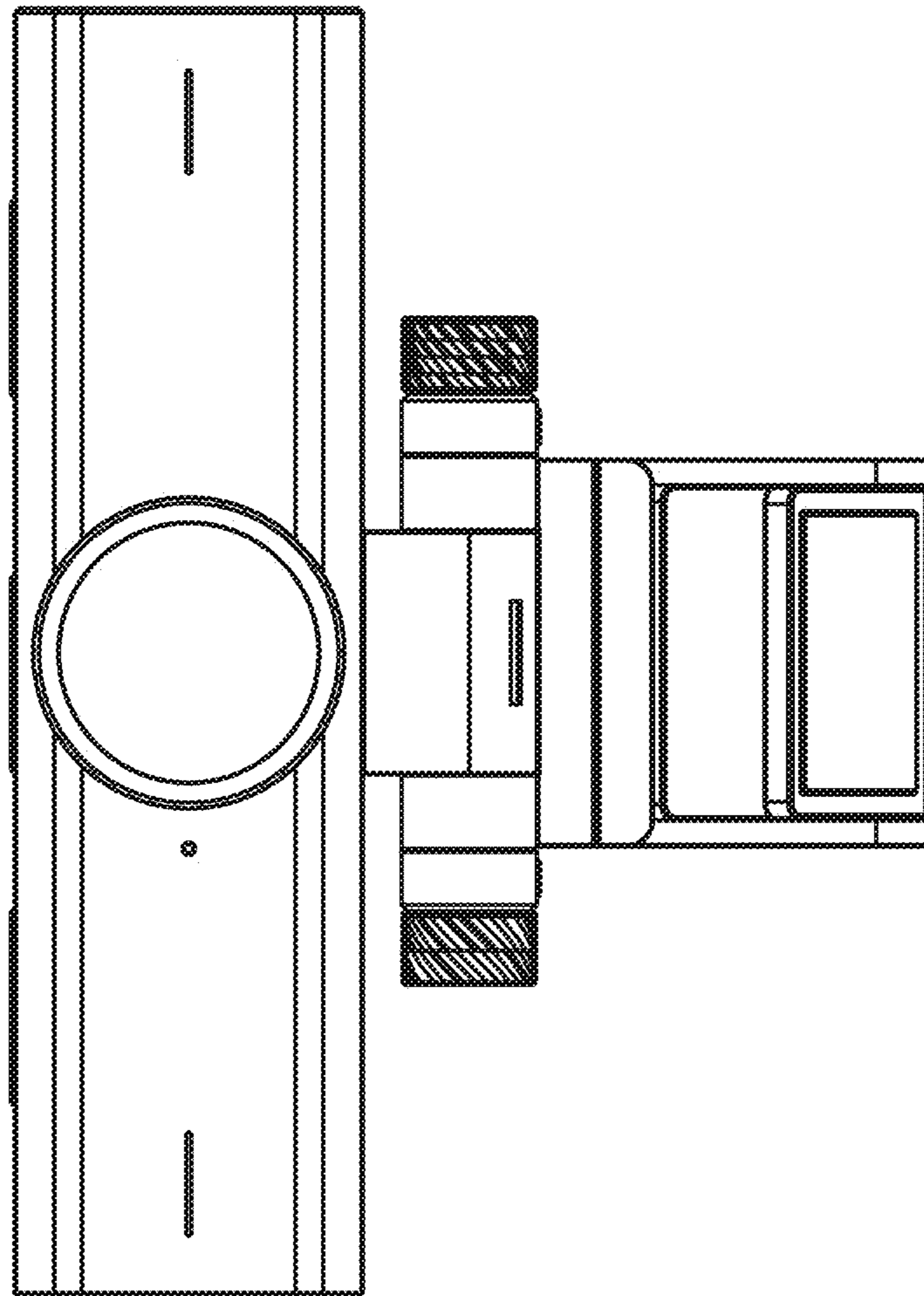


FIG. 4

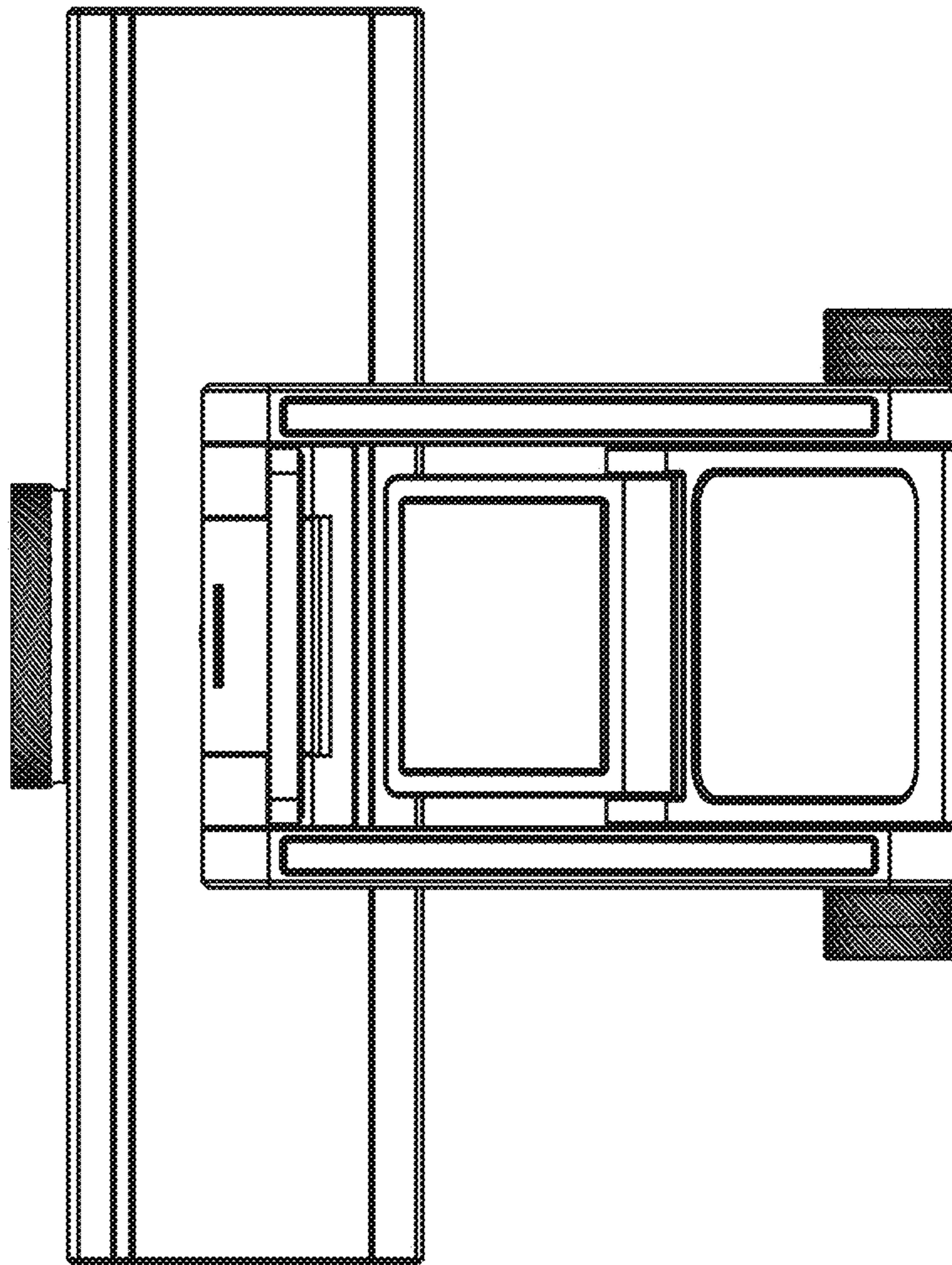


FIG. 5

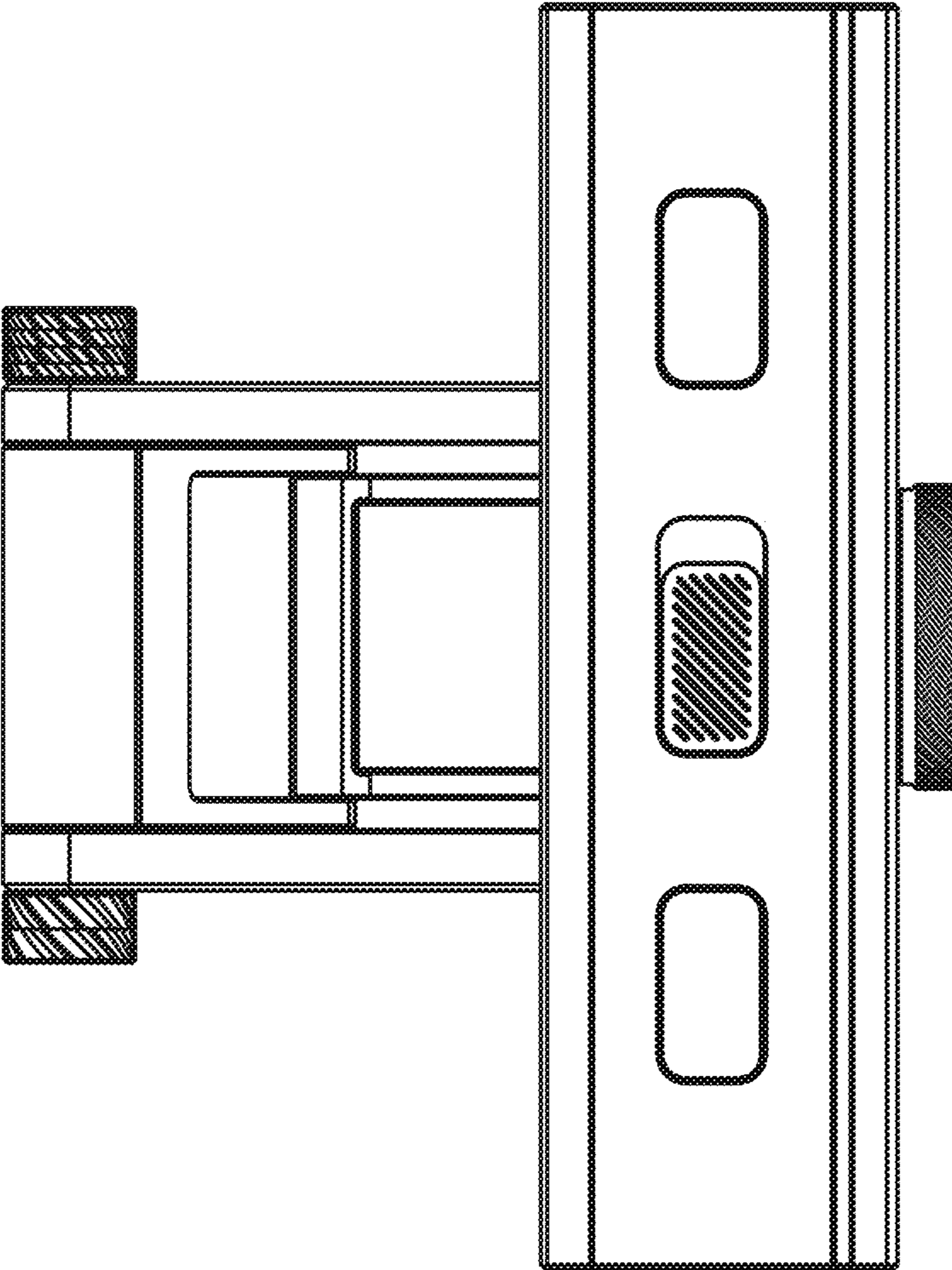


FIG. 6

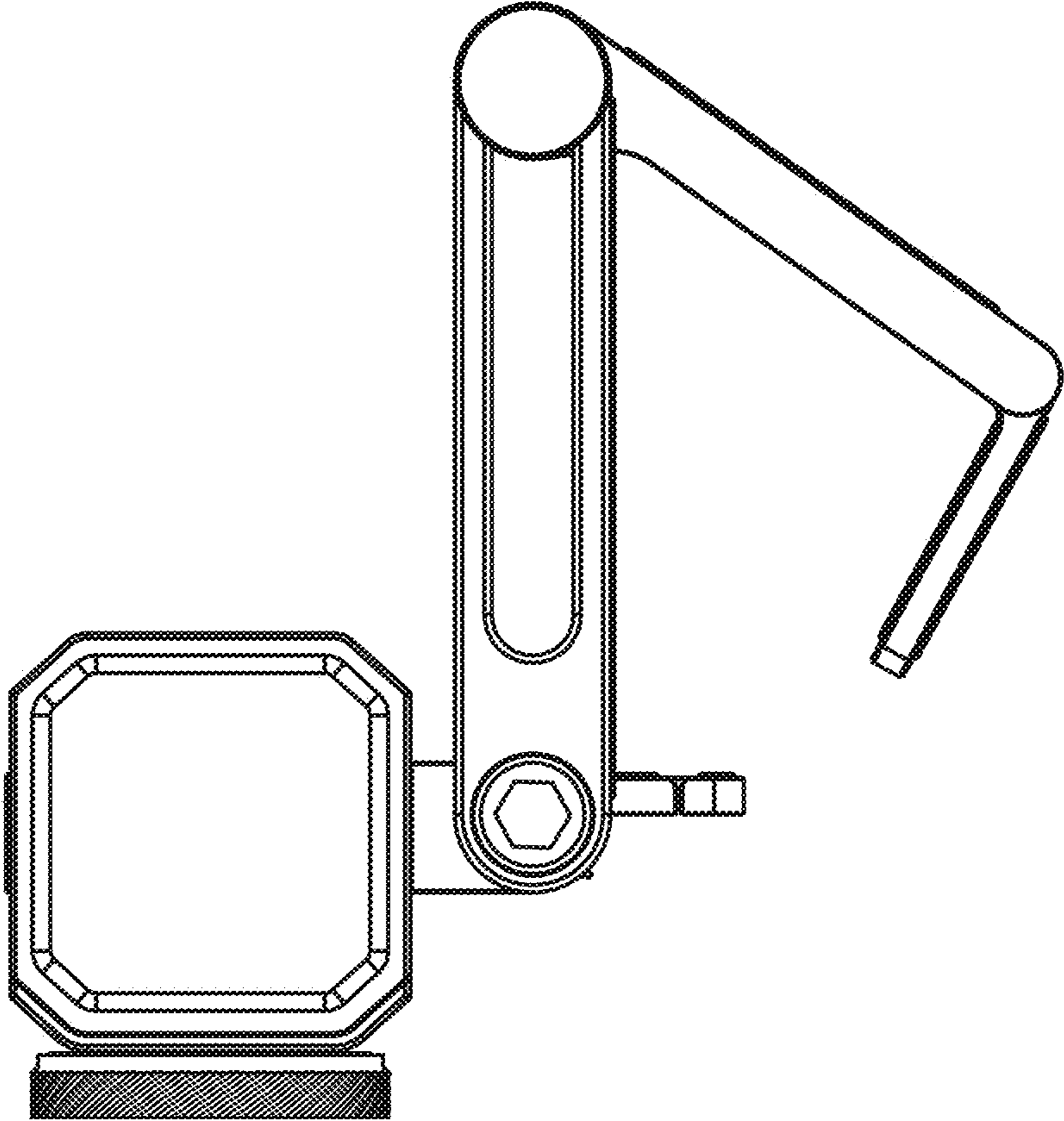


FIG. 7

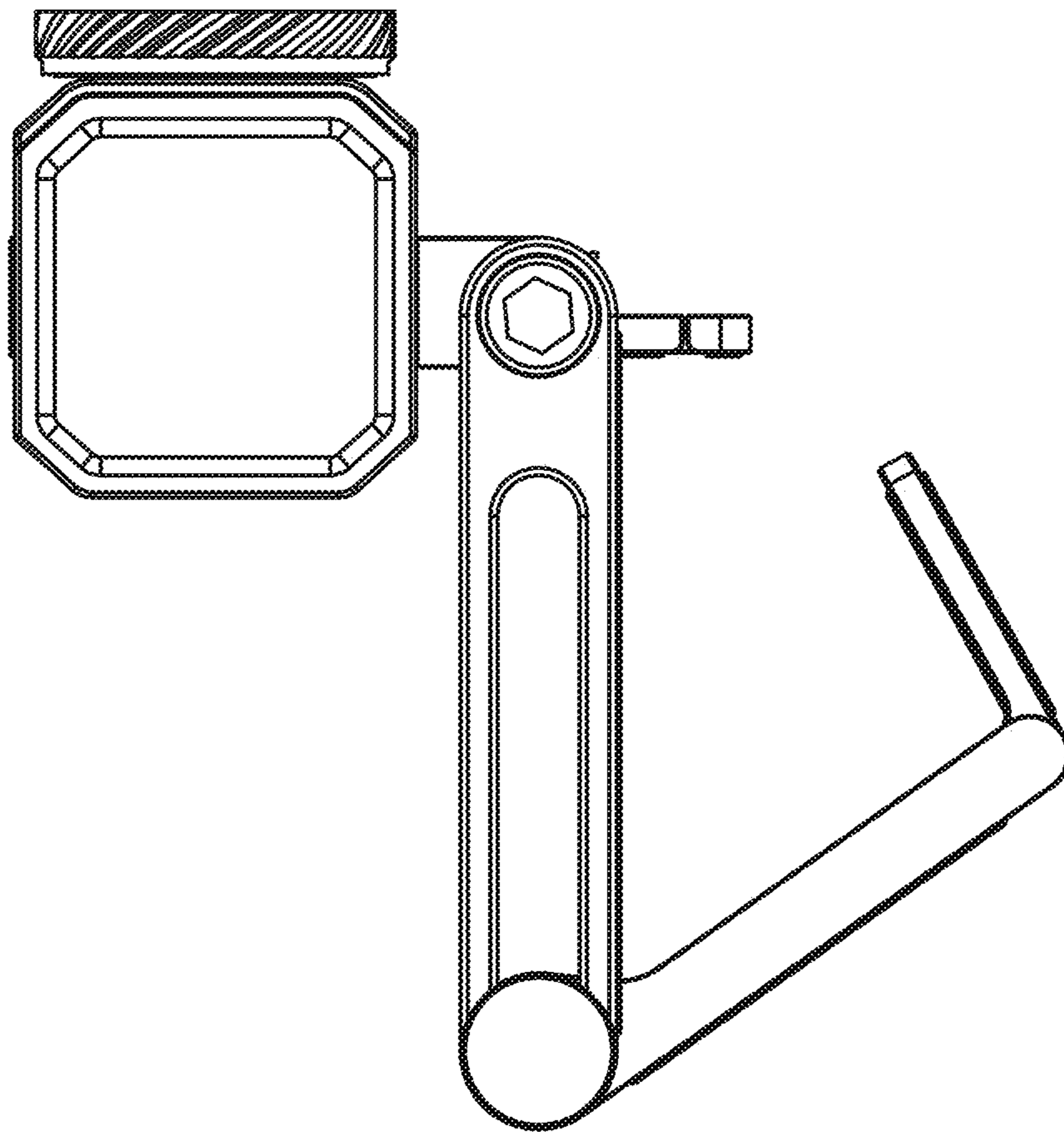


FIG. 8