



US00D870788S

(12) **United States Design Patent** (10) **Patent No.:** **US D870,788 S**
Kim et al. (45) **Date of Patent:** **** Dec. 24, 2019**

(54) **ROBOT FOR GUIDING PEOPLE**

B25J 9/04; B25J 918/00; G06N 3/00;
G06N 3/004; G06N 3/008

(71) Applicant: **LG ELECTRONICS INC.**, Seoul
(KR)

See application file for complete search history.

(72) Inventors: **Jinsu Kim**, Seoul (KR); **Hyunjung Kim**, Seoul (KR); **Taewoo Yoo**, Seoul (KR); **Jihyun Lee**, Seoul (KR); **Soonho Jung**, Seoul (KR)

(56) **References Cited**

U.S. PATENT DOCUMENTS

(73) Assignee: **LG Electronics Inc.**, Seoul (KR)

(**) Term: **15 Years**

(21) Appl. No.: **35/505,304**

(22) Filed: **Jan. 10, 2018**

(80) **Hague Agreement Data**

Int. Filing Date: **Jan. 10, 2018**
Int. Reg. No.: **DM/100733**
Int. Reg. Date: **Jan. 10, 2018**
Int. Reg. Pub. Date: **Jul. 13, 2018**

(30) **Foreign Application Priority Data**

Jan. 4, 2018 (KR) 30-2018-0000636

(51) **LOC (12) Cl.** **15-99**

(52) **U.S. Cl.**
USPC **D15/199**
CPC **A63H 11/00 (2013.01)**

(58) **Field of Classification Search**

USPC D7/300, 305-311, 397-400; D10/22, 23,
D10/25, 28; D14/159, 176, 209.1, 216,
D14/221, 239, 265, 496, 497, 508, 509,
D14/125; D15/10-13, 22, 122, 199
CPC A63H 11/00; A63H 2200/00; B25J 9/00;

4,717,364	A *	1/1988	Furukawa	A63H 11/00 367/198
D298,766	S *	11/1988	Tanno	D21/578
D456,080	S *	4/2002	Karlsson	D24/185
D549,756	S *	8/2007	Park	D15/199
D563,443	S *	3/2008	Ahn	D15/199
D566,737	S *	4/2008	Matsuda	D15/199
D572,739	S *	7/2008	Jennings	D15/199
D579,035	S *	10/2008	Kim	B25J 11/008 D15/199
D608,804	S *	1/2010	Labak	D15/199
D631,074	S *	1/2011	Peters	D15/144
D635,603	S *	4/2011	Paz	D15/199
D644,256	S *	8/2011	Kitano	D15/199
D663,333	S *	7/2012	Kitano	D15/199
D675,656	S *	2/2013	Sutherland	D15/199
8,494,675	B2 *	7/2013	Ichinose	G05D 1/024 700/245
8,620,547	B2 *	12/2013	Monsere	B60T 8/885 701/22

(Continued)

Primary Examiner — Richard E Chilcot

(74) *Attorney, Agent, or Firm* — Birch, Stewart, Kolasch & Birch, LLP

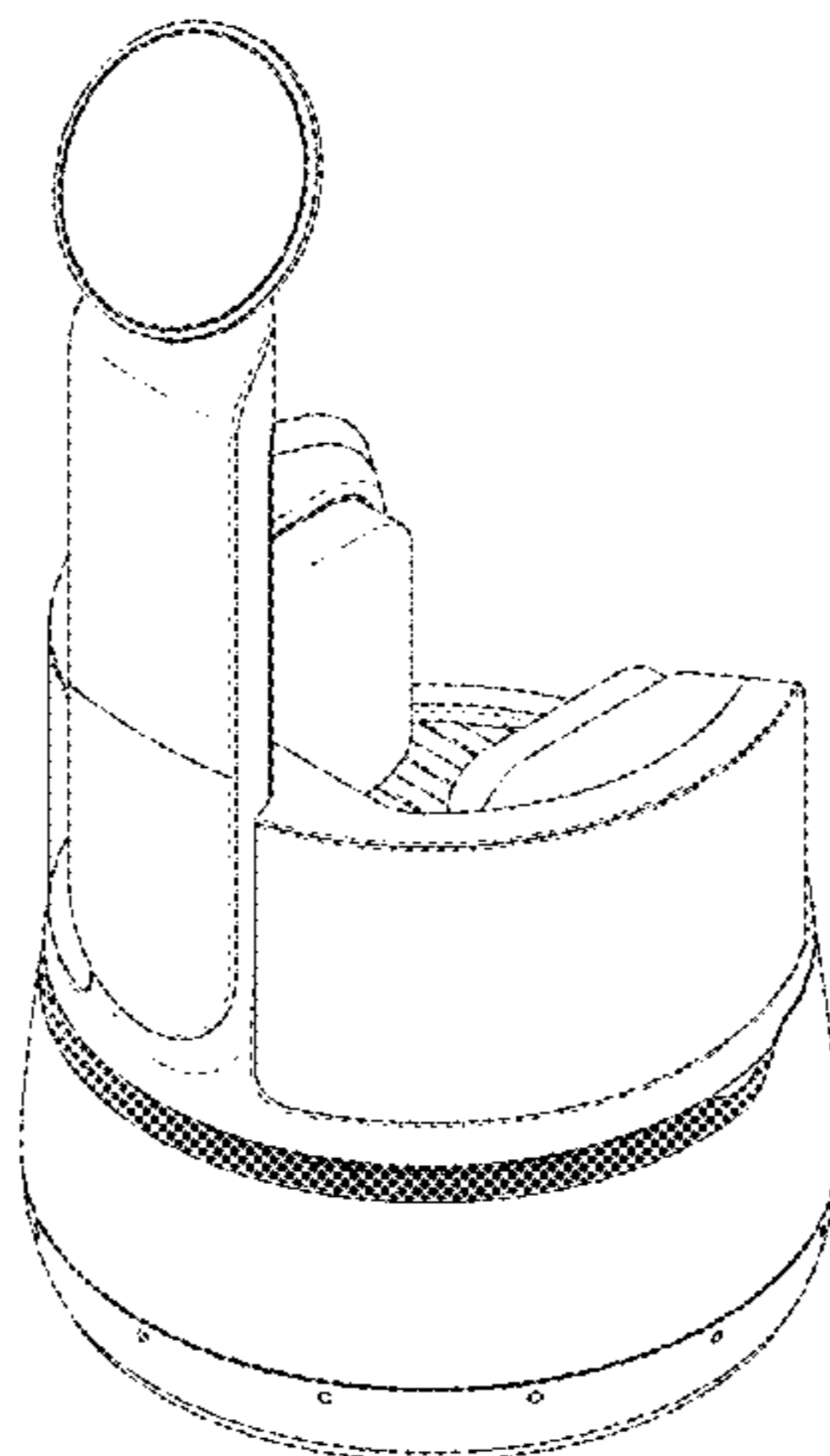
(57) **CLAIM**

The ornamental design for a robot for guiding people, as shown and described.

DESCRIPTION

1. Robot for guiding people
 - 1.1 : Perspective
 - 1.2 : Front
 - 1.3 : Back
 - 1.4 : Left
 - 1.5 : Right
 - 1.6 : Top
 - 1.7 : Bottom

(Continued)



1.8 : Reference view showing a state of use in which fixing bands inside a robot for guiding people are moved into the direction in which the pressure is applied when the bands fix an object.

1 Claim, 8 Drawing Sheets

(56)

References Cited

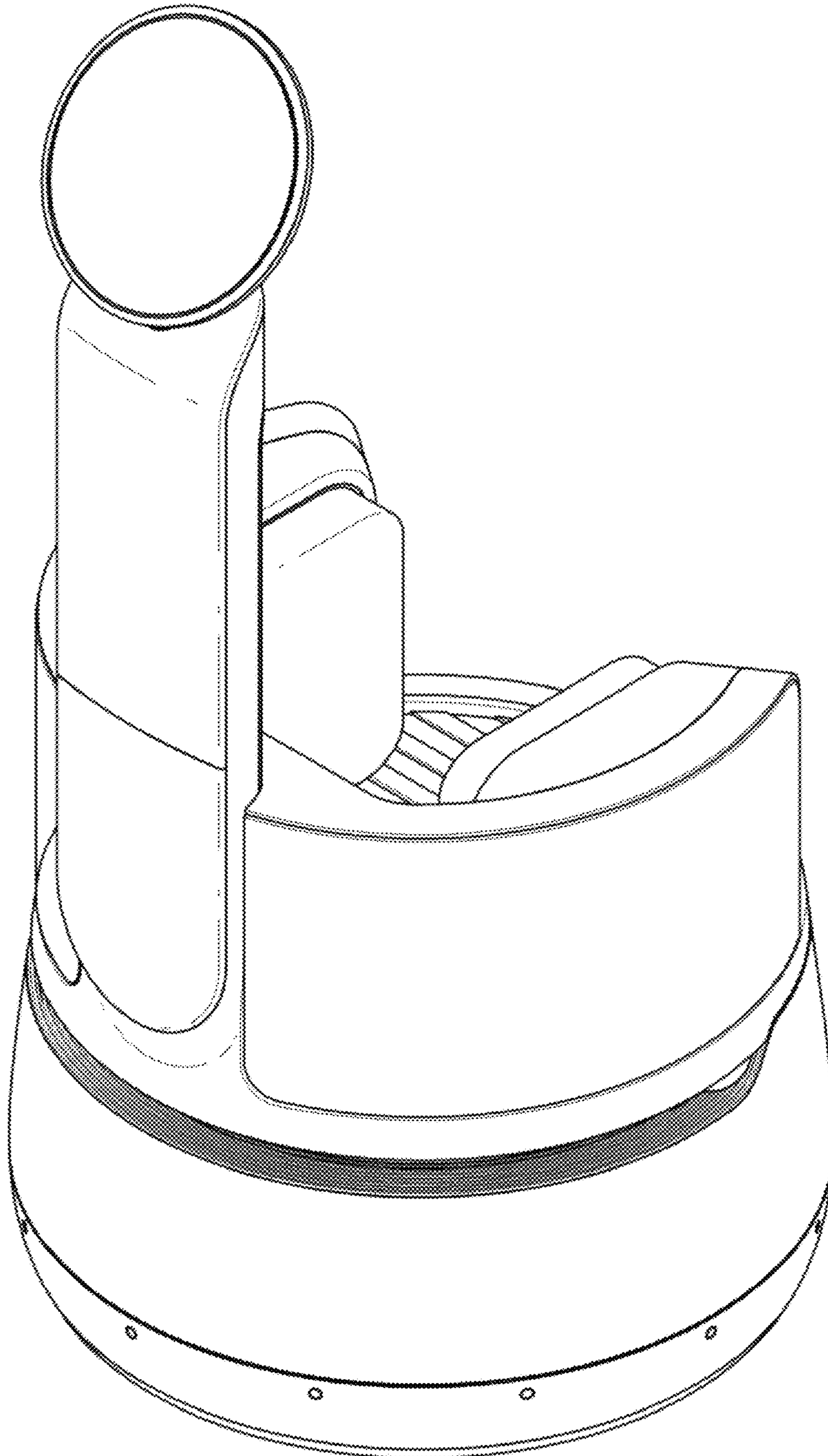
U.S. PATENT DOCUMENTS

D701,256 S * 3/2014 Song D15/199
 D720,378 S * 12/2014 Dye D15/199
 8,935,006 B2 * 1/2015 Vu B25J 5/007
 700/264
 D725,166 S * 3/2015 Paik D15/199
 D732,096 S * 6/2015 Jang D15/199
 D735,258 S * 7/2015 Jang D15/199
 D739,450 S * 9/2015 Jain D15/199
 D752,668 S * 3/2016 Pedersen D15/199
 9,291,698 B2 * 3/2016 Watanabe G01S 5/0072

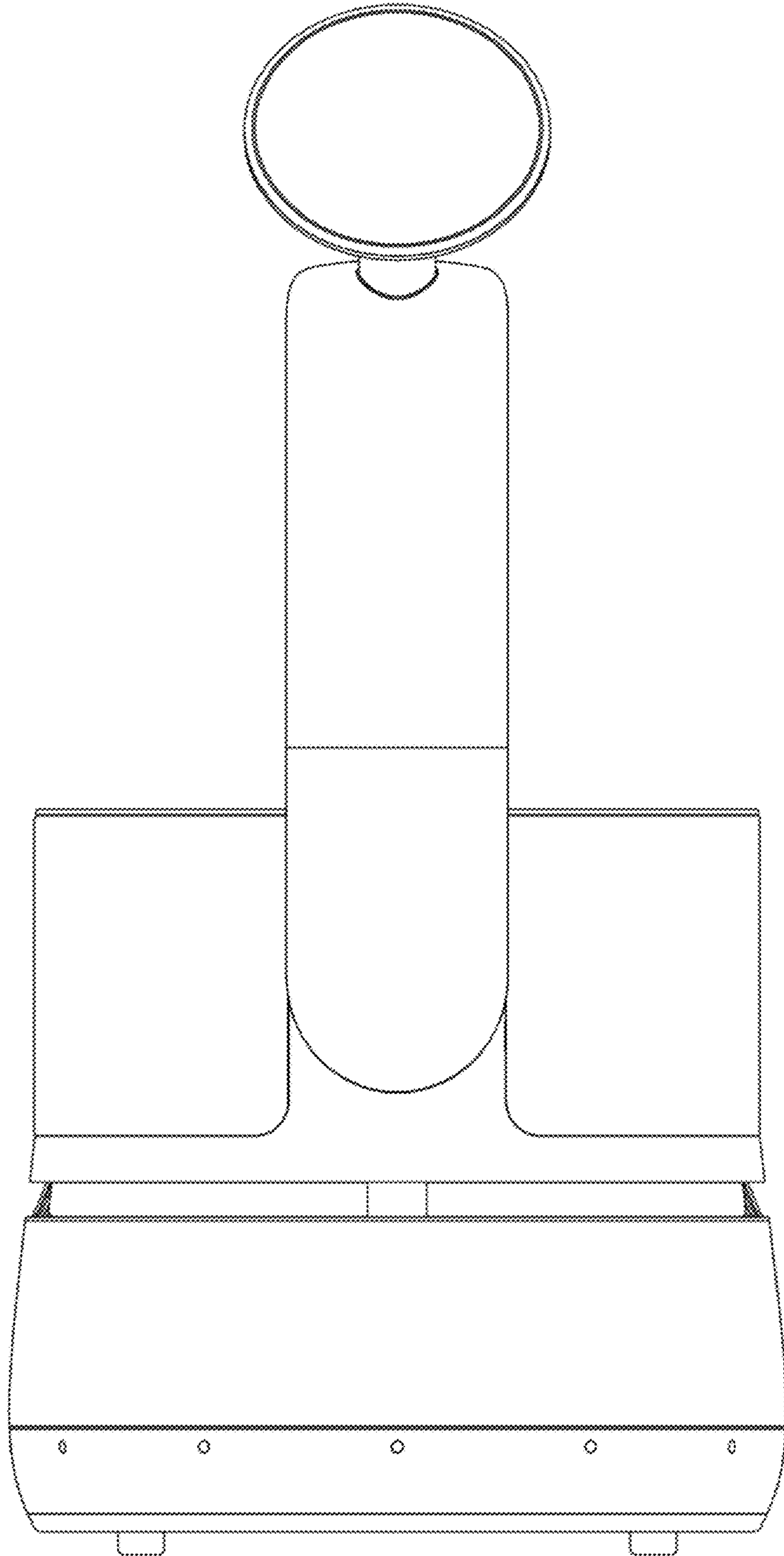
D761,339 S * 7/2016 White, Jr. D15/199
 D761,894 S * 7/2016 Ho D15/199
 D769,953 S * 10/2016 Bauman D15/199
 9,469,031 B2 * 10/2016 Saito B25J 9/1676
 D781,945 S * 3/2017 Uno D15/199
 D802,040 S * 11/2017 Canoso D15/199
 D810,167 S * 2/2018 Yang D15/199
 D810,800 S * 2/2018 Wang D15/199
 D811,458 S * 2/2018 Wang D15/199
 D813,284 S * 3/2018 Wei D15/199
 D813,285 S * 3/2018 Wei D15/199
 D817,375 S * 5/2018 Deyle D15/199
 D820,334 S * 6/2018 Lee D15/199
 D826,303 S * 8/2018 Metta D15/199
 2007/0132419 A1 * 6/2007 Hashimoto B25J 5/007
 318/568.12
 2008/0147261 A1 * 6/2008 Ichinose G01C 22/006
 701/24
 2009/0169347 A1 * 7/2009 Teng B25J 5/00
 414/401
 2015/0190927 A1 * 7/2015 Sutherland H04W 4/70
 700/259
 2018/0178375 A1 * 6/2018 Yang B25J 5/007

* cited by examiner

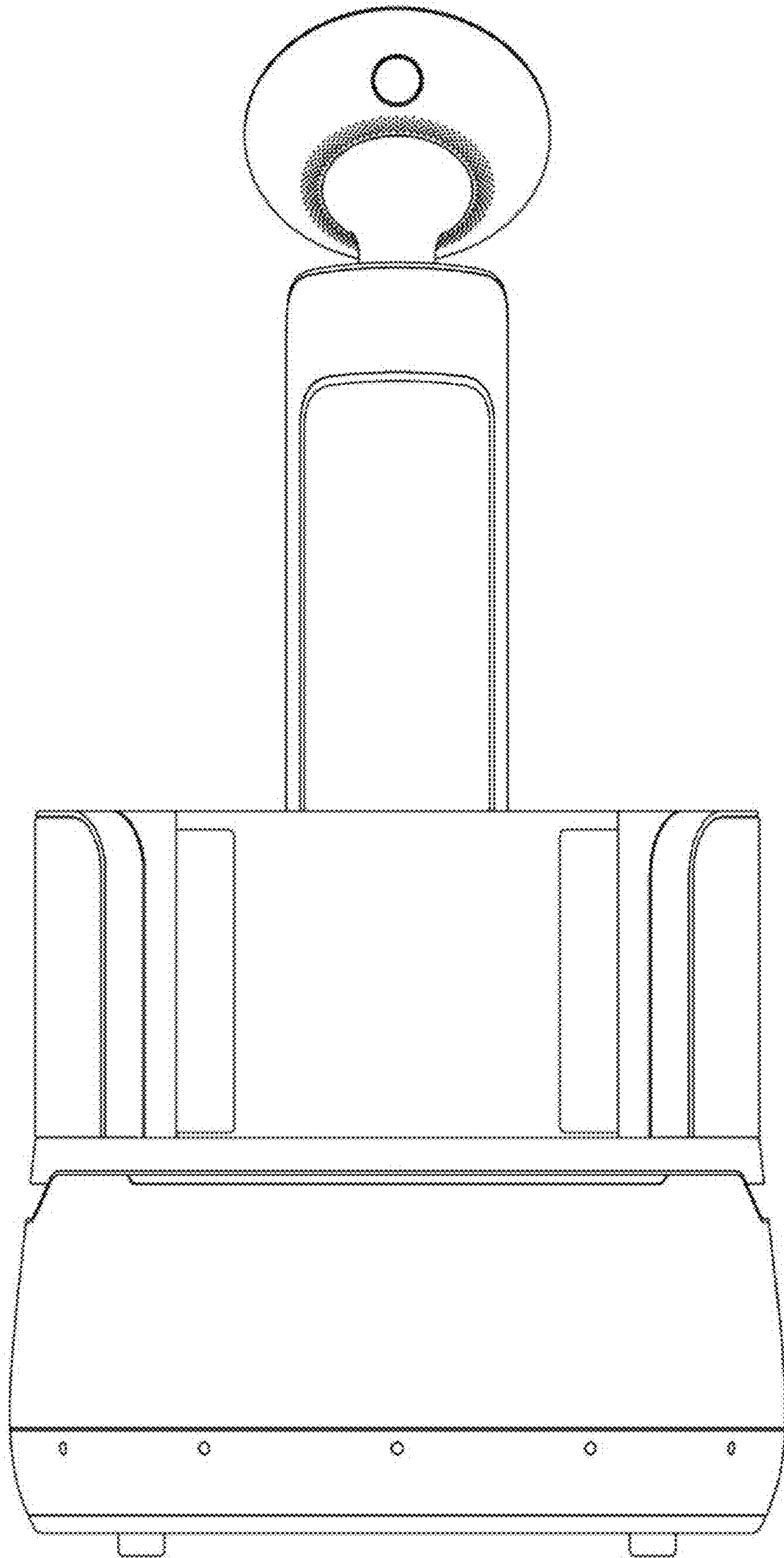
1.1



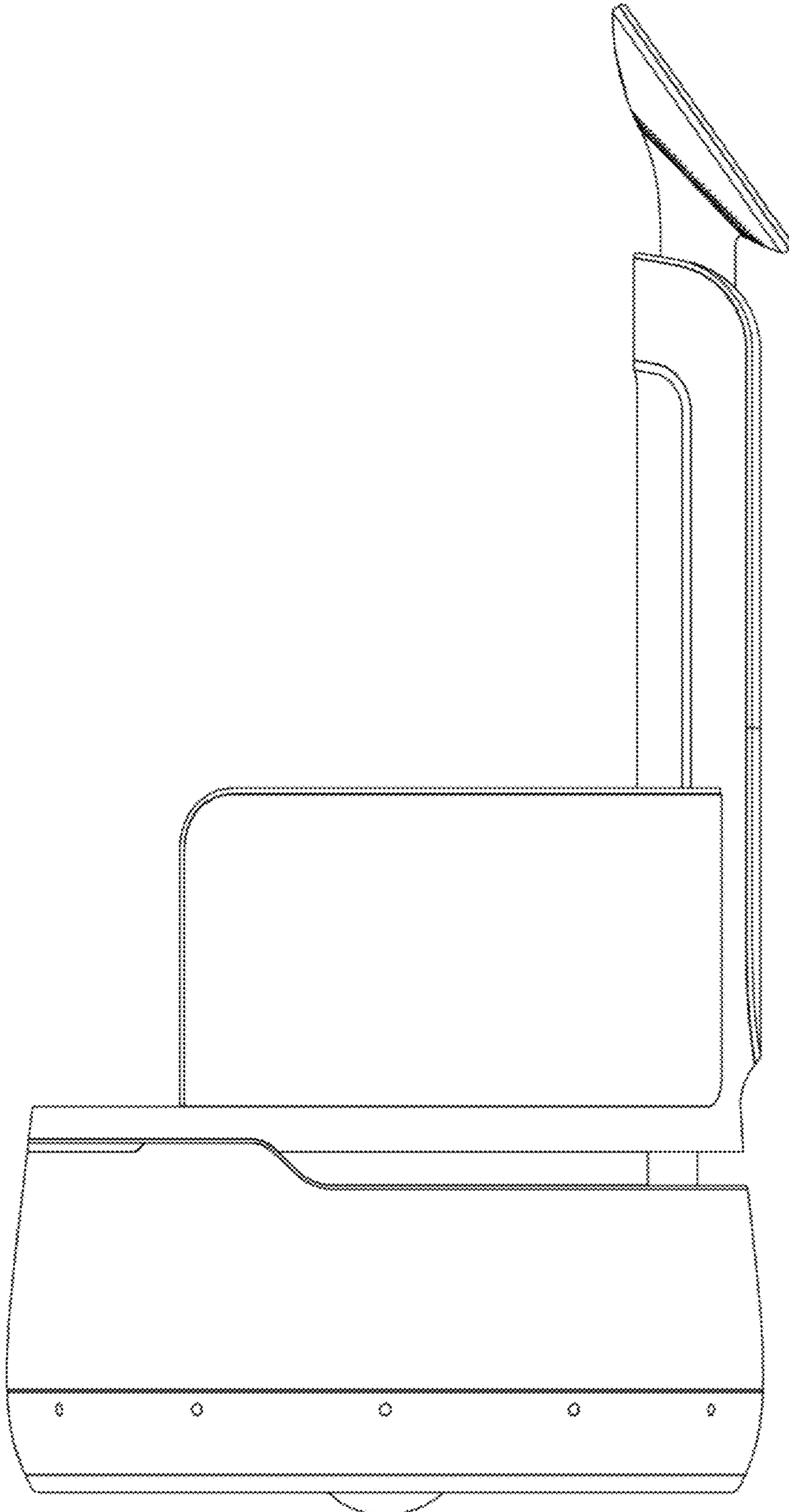
1.2



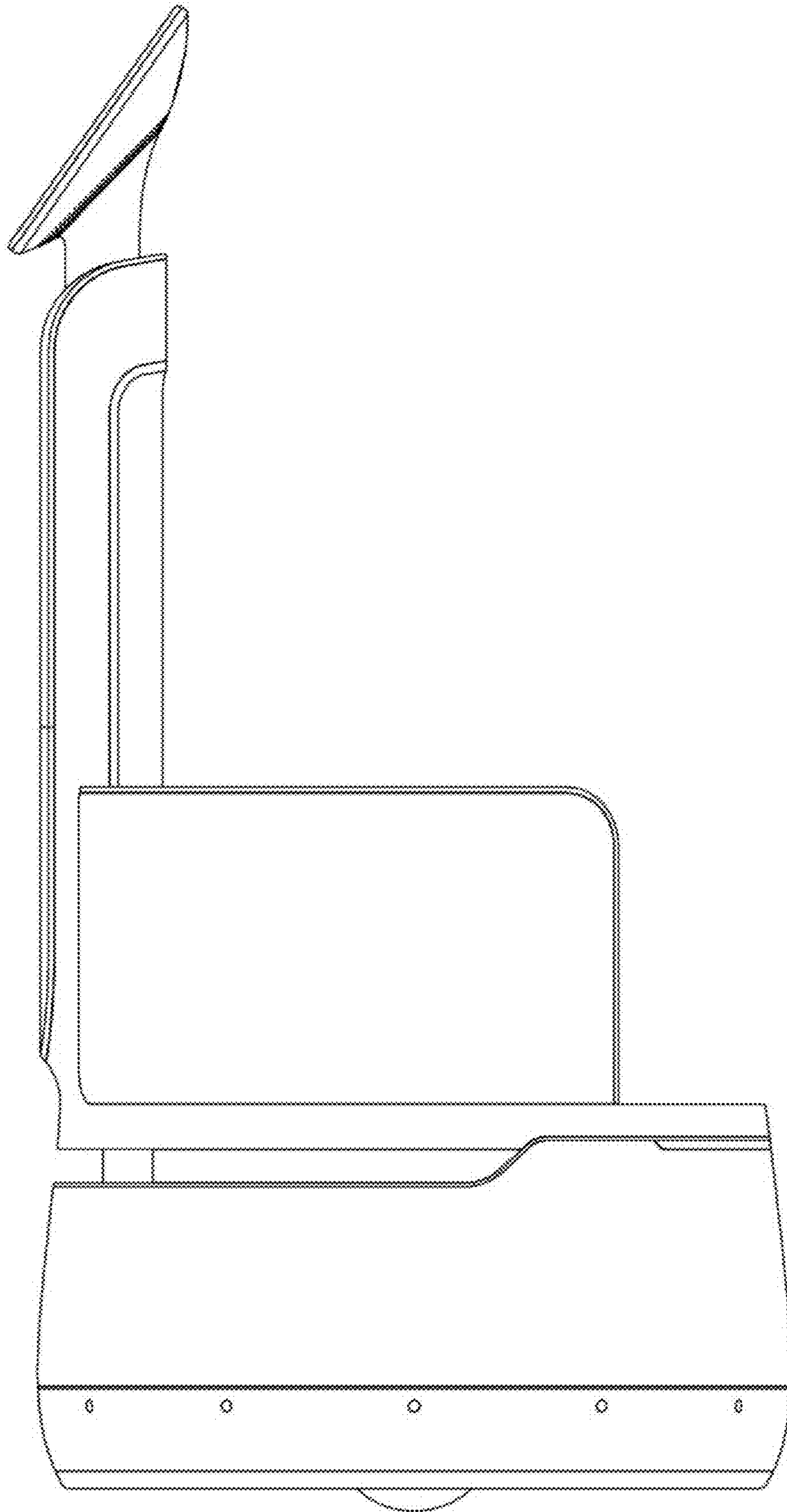
1.3



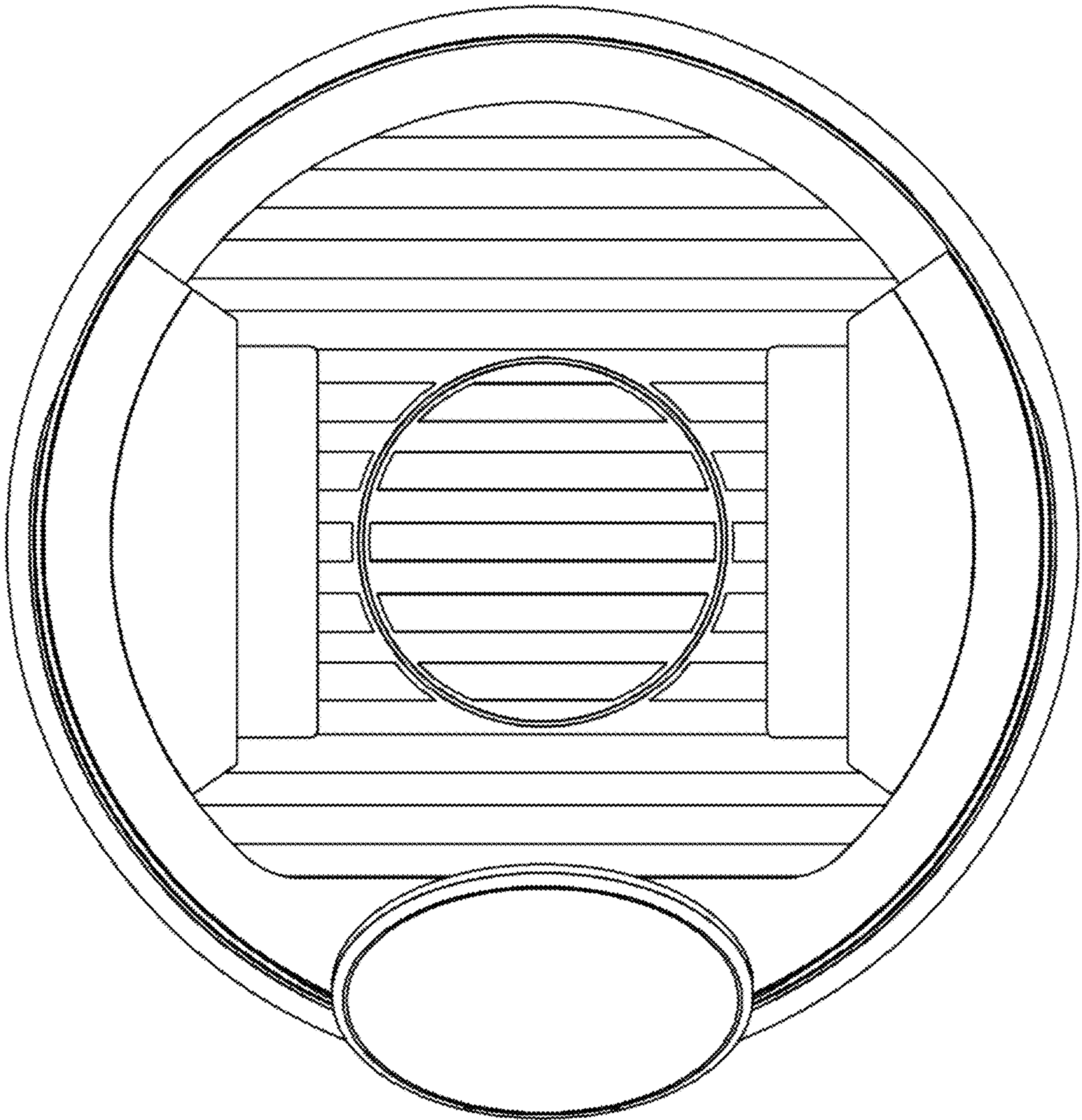
1.4



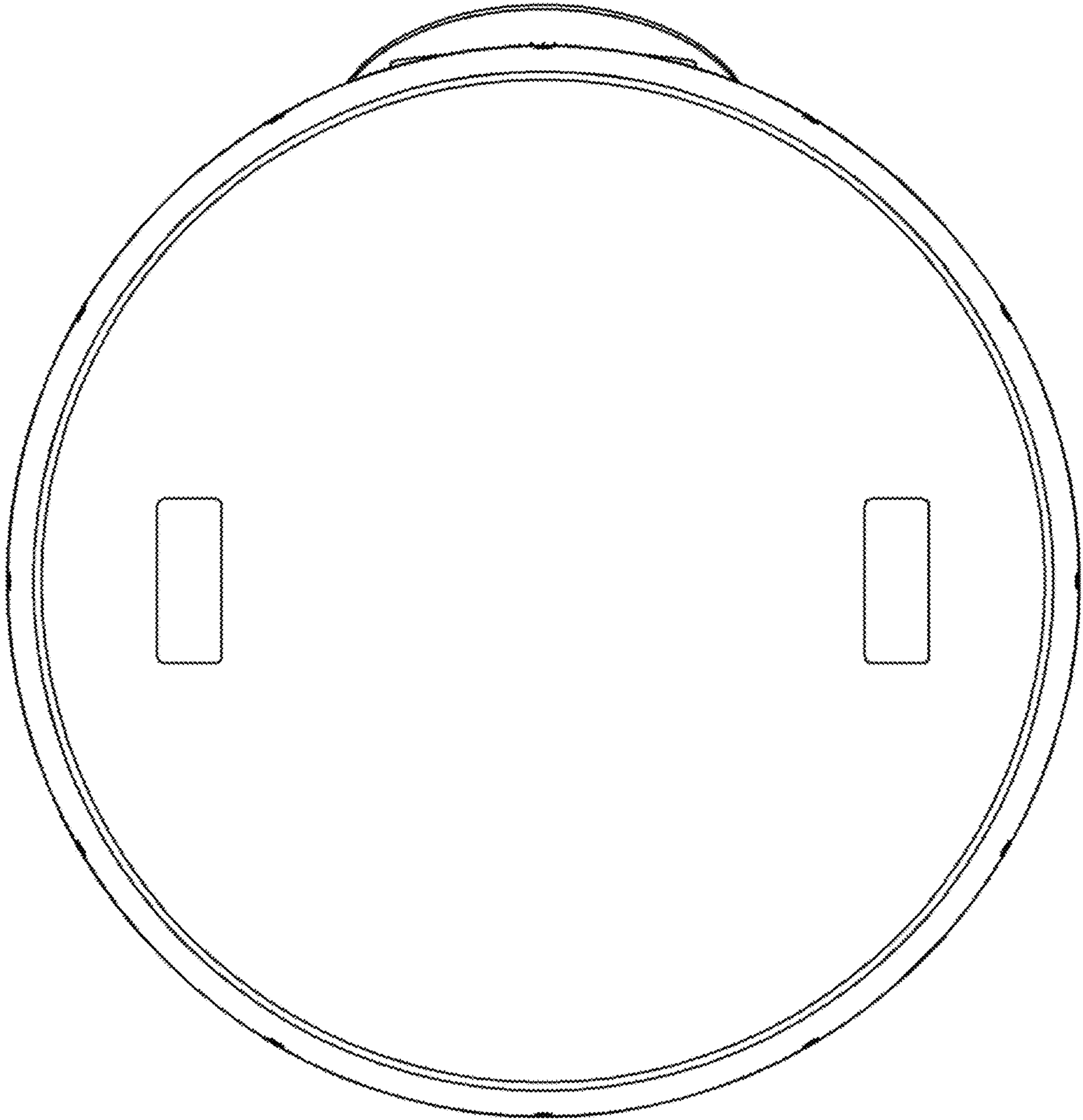
1.5



1.6



1.7



1.8

