



US00D870785S

(12) **United States Design Patent** (10) **Patent No.:** **US D870,785 S**  
**Wu** (45) **Date of Patent:** **\*\* Dec. 24, 2019**

(54) **OIL CATCH CAN**  
(71) Applicant: **Advanced Development Depot, Inc,**  
Rancho Cucamonga, CA (US)  
(72) Inventor: **Chuan-Hsing Wu,** Rancho Cucamonga,  
CA (US)  
(\*\*) Term: **15 Years**  
(21) Appl. No.: **29/636,923**  
(22) Filed: **Feb. 12, 2018**  
(51) **LOC (12) Cl.** ..... **15-09**  
(52) **U.S. Cl.**  
USPC ..... **D15/150**  
(58) **Field of Classification Search**  
USPC ..... D15/150, 151, 152; D23/209, 211  
CPC ..... F01M 9/00; F01M 9/06; F01M 9/002  
See application file for complete search history.

(56) **References Cited**  
U.S. PATENT DOCUMENTS  
1,506,028 A \* 8/1924 Perritt ..... F16N 31/002  
184/1.5  
1,990,524 A \* 2/1935 Bystricky ..... F16N 5/00  
138/34  
D129,867 S \* 10/1941 Dunmire ..... D15/150  
D145,692 S \* 10/1946 Fitzpatrick ..... D15/151  
D232,976 S \* 9/1974 Ruter ..... D15/5  
D264,614 S \* 5/1982 Johnson, Sr. .... D23/209  
D280,757 S \* 9/1985 Paulovich ..... D23/207  
4,702,290 A \* 10/1987 Perez ..... B67D 7/00  
141/332  
4,775,067 A \* 10/1988 Mount ..... B65D 25/00  
137/312  
D307,913 S \* 5/1990 Ogasawara ..... D15/150  
D309,974 S \* 8/1990 Tannous ..... D23/209  
D311,239 S \* 10/1990 Lundquist ..... D23/209  
D317,315 S \* 6/1991 Miyake ..... D15/150  
D332,300 S \* 1/1993 Eastom ..... D23/211.2  
D337,594 S \* 7/1993 Strauch ..... D15/152

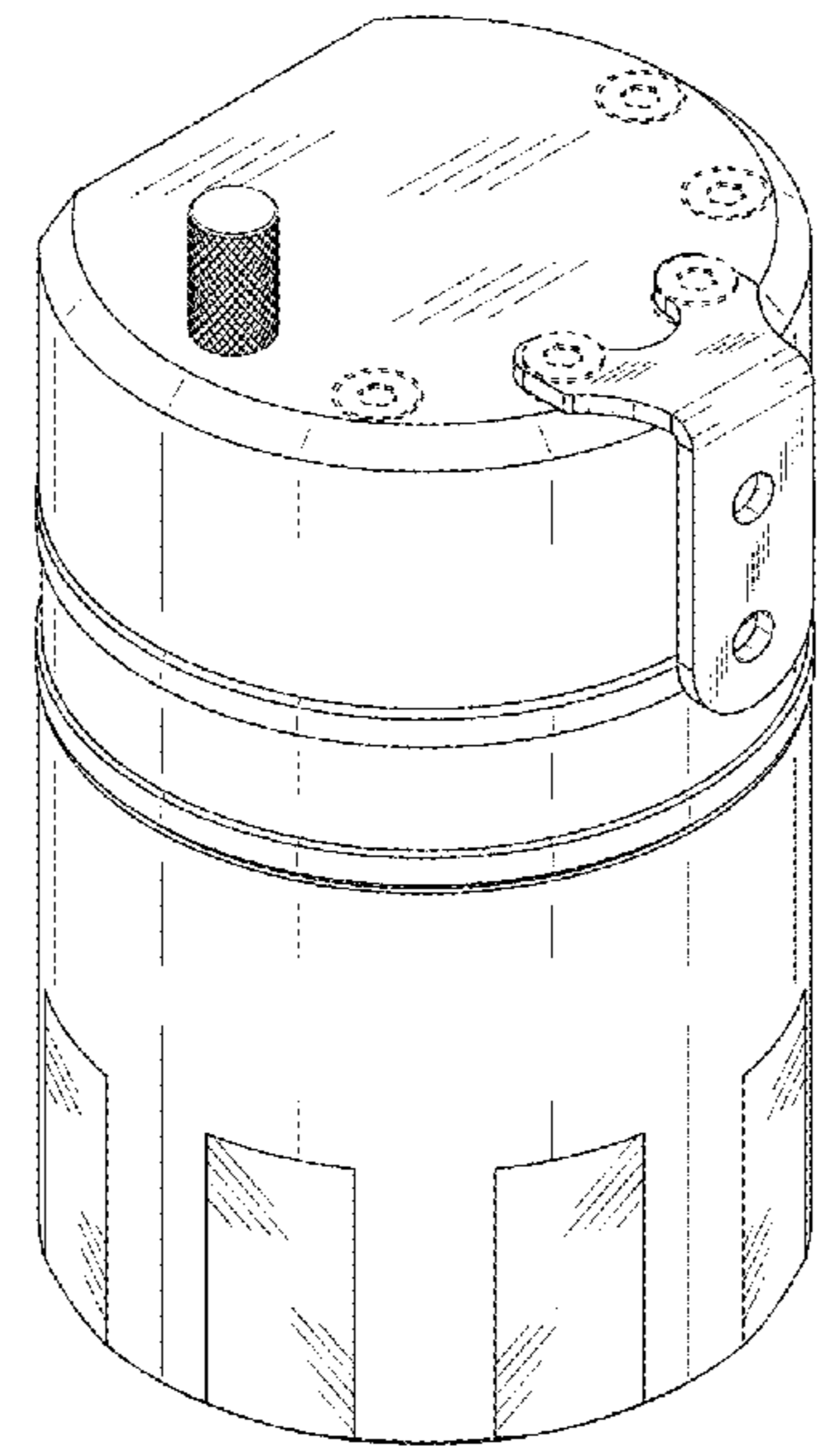
D337,774 S \* 7/1993 Schillinger ..... D15/150  
5,486,290 A \* 1/1996 McGinness ..... B01D 29/072  
210/323.2  
D374,447 S \* 10/1996 Brewer ..... D15/150  
D379,097 S \* 5/1997 Brewer ..... D15/150  
5,634,502 A \* 6/1997 Pierce ..... F01M 11/04  
141/331  
D396,868 S \* 8/1998 Pingel ..... D15/151  
D422,914 S \* 4/2000 Lasky ..... D9/451  
(Continued)

*Primary Examiner* — Patricia A Palasik  
(74) *Attorney, Agent, or Firm* — Tsz Lung Yeung

(57) **CLAIM**  
The ornamental design for an oil catch can, as shown and described.

**DESCRIPTION**  
FIG. 1 is a perspective view of an oil catch can according to a first embodiment of my new design;  
FIG. 2 is a front view thereof;  
FIG. 3 is a rear view thereof;  
FIG. 4 is a right side view thereof;  
FIG. 5 is a left side view thereof;  
FIG. 6 is a top view thereof;  
FIG. 7 is a bottom view thereof;  
FIG. 8 is a rear perspective view thereof;  
FIG. 9 is perspective view of an oil catch can according to a second embodiment of my new design;  
FIG. 10 is a front view thereof;  
FIG. 11 is a rear view thereof;  
FIG. 12 is a right side view thereof;  
FIG. 13 is a left side view thereof;  
FIG. 14 is a top view thereof;  
FIG. 15 is a bottom view thereof; and,  
FIG. 16 is a rear perspective view thereof.  
The broken lines in the drawings represent unclaimed environmental subject matter that forms no part of the claim.

**1 Claim, 16 Drawing Sheets**



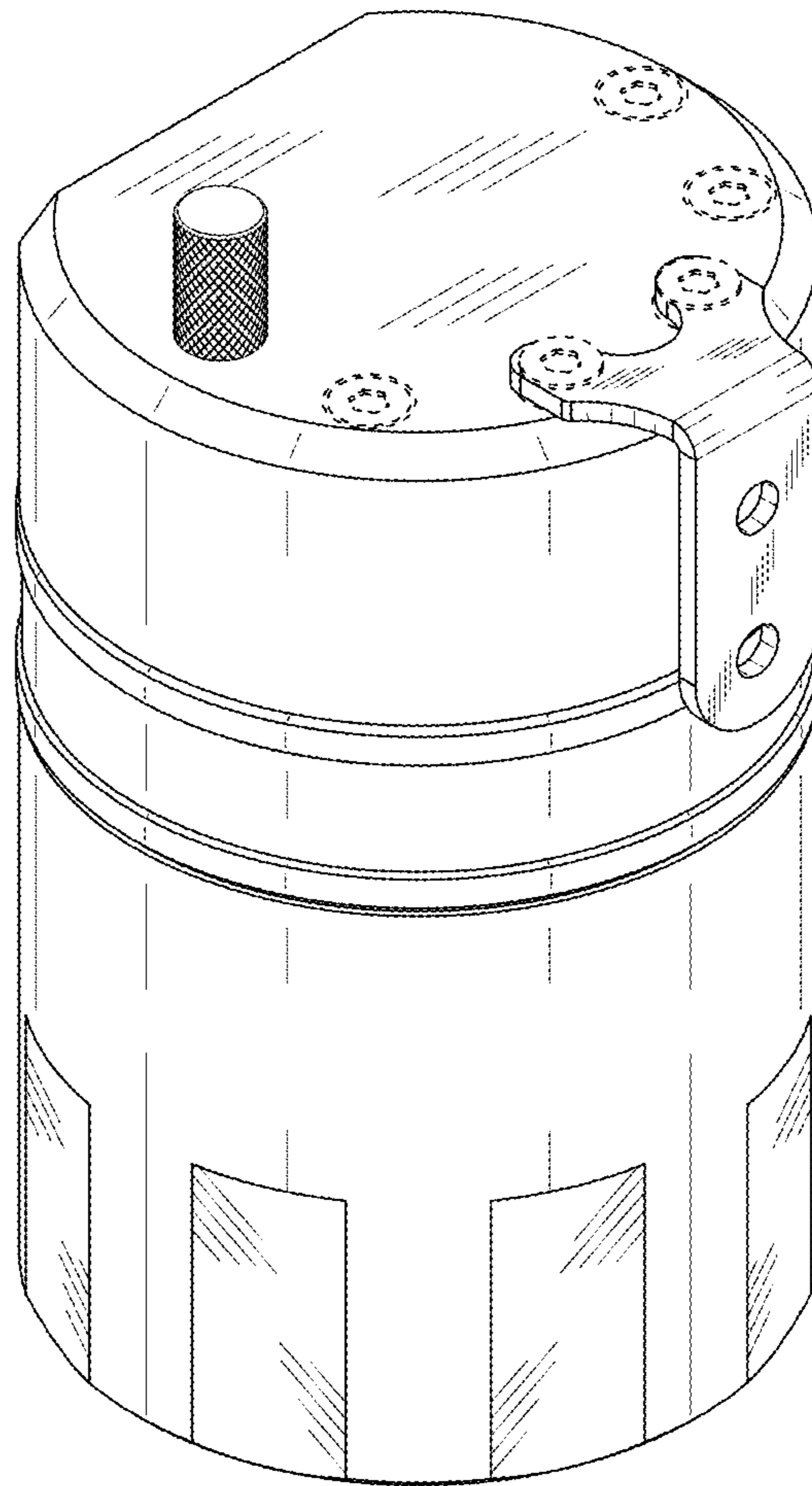
(56)

**References Cited**

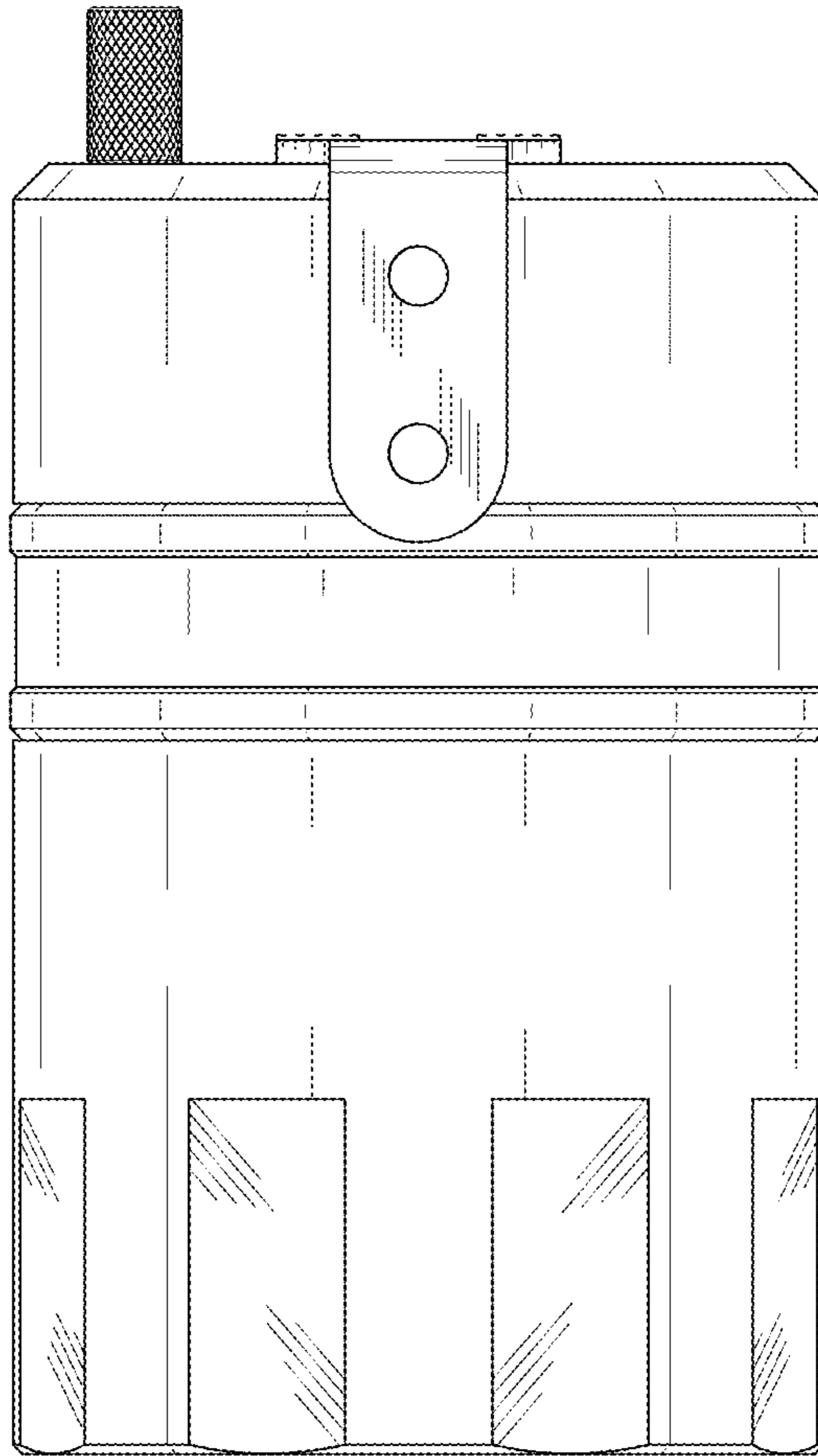
U.S. PATENT DOCUMENTS

|          |   |   |         |              |       |            |
|----------|---|---|---------|--------------|-------|------------|
| D438,932 | S | * | 3/2001  | McKinney     | ..... | D23/207    |
| D460,146 | S | * | 7/2002  | Setser       | ..... | D23/209    |
| D510,587 | S | * | 10/2005 | Tigerholm    | ..... | D15/150    |
| D518,555 | S | * | 4/2006  | De Muro, Jr. | ..... | D23/209    |
| D539,822 | S | * | 4/2007  | Tseng        | ..... | D15/150    |
| D562,429 | S | * | 2/2008  | Morris       | ..... | B01D 27/06 |
|          |   |   |         |              |       | D23/209    |
| D621,001 | S | * | 8/2010  | Maziel       | ..... | D23/209    |
| D638,042 | S | * | 5/2011  | Liao         | ..... | D15/152    |
| D650,402 | S | * | 12/2011 | Yamase       | ..... | D15/150    |
| D650,403 | S | * | 12/2011 | Yamase       | ..... | D15/150    |
| D717,913 | S | * | 11/2014 | Lin          | ..... | D15/152    |
| D727,462 | S | * | 4/2015  | Antonucci    | ..... | D23/209    |
| D728,069 | S | * | 4/2015  | Moore        | ..... | D23/209    |
| D817,440 | S | * | 5/2018  | Lossie       | ..... | D23/209    |
| D823,916 | S | * | 7/2018  | Lee          | ..... | D15/150    |
| D831,428 | S | * | 10/2018 | Gibson       | ..... | D7/533     |

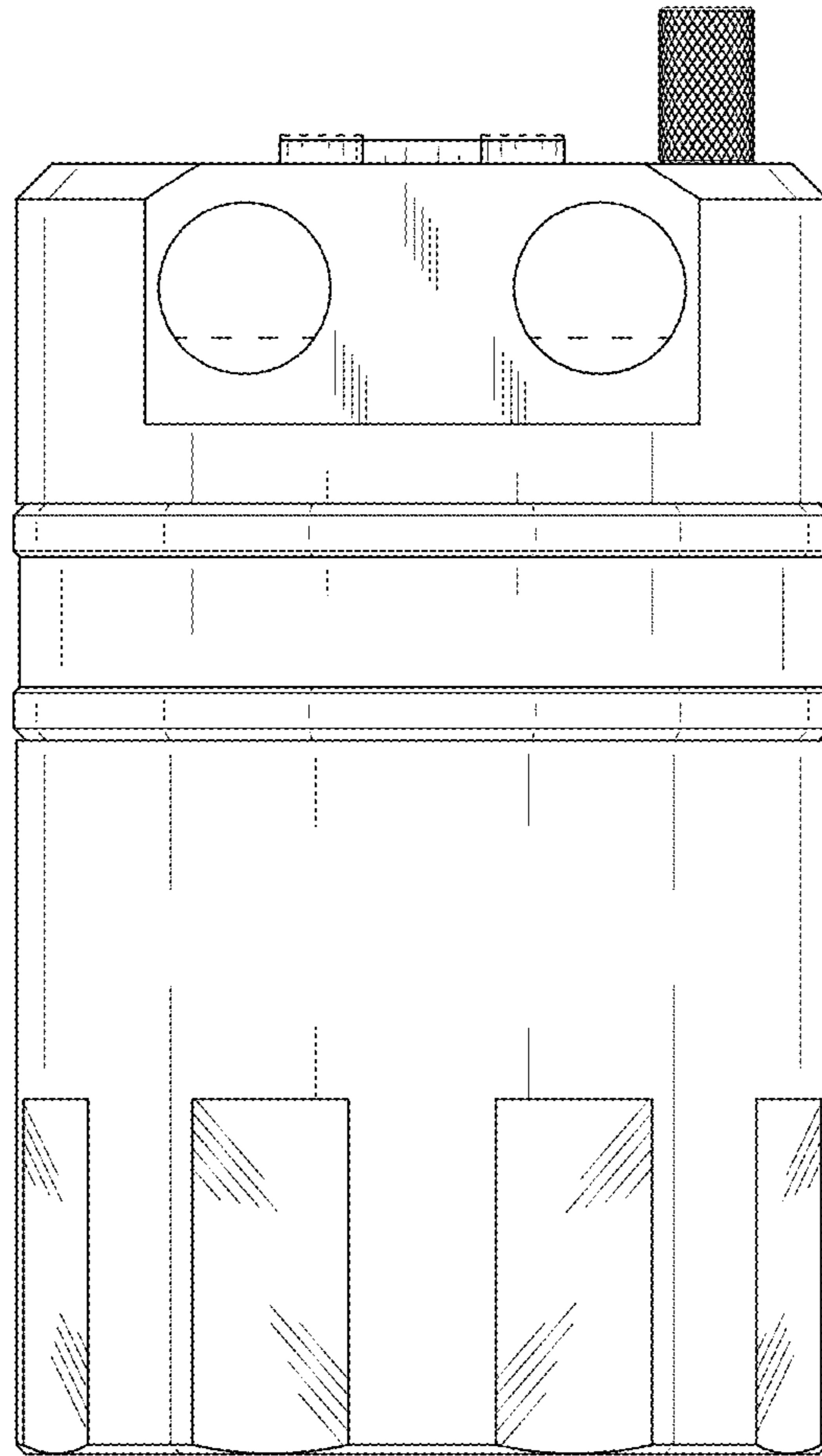
\* cited by examiner



*FIG. 1*



*FIG. 2*



*FIG. 3*

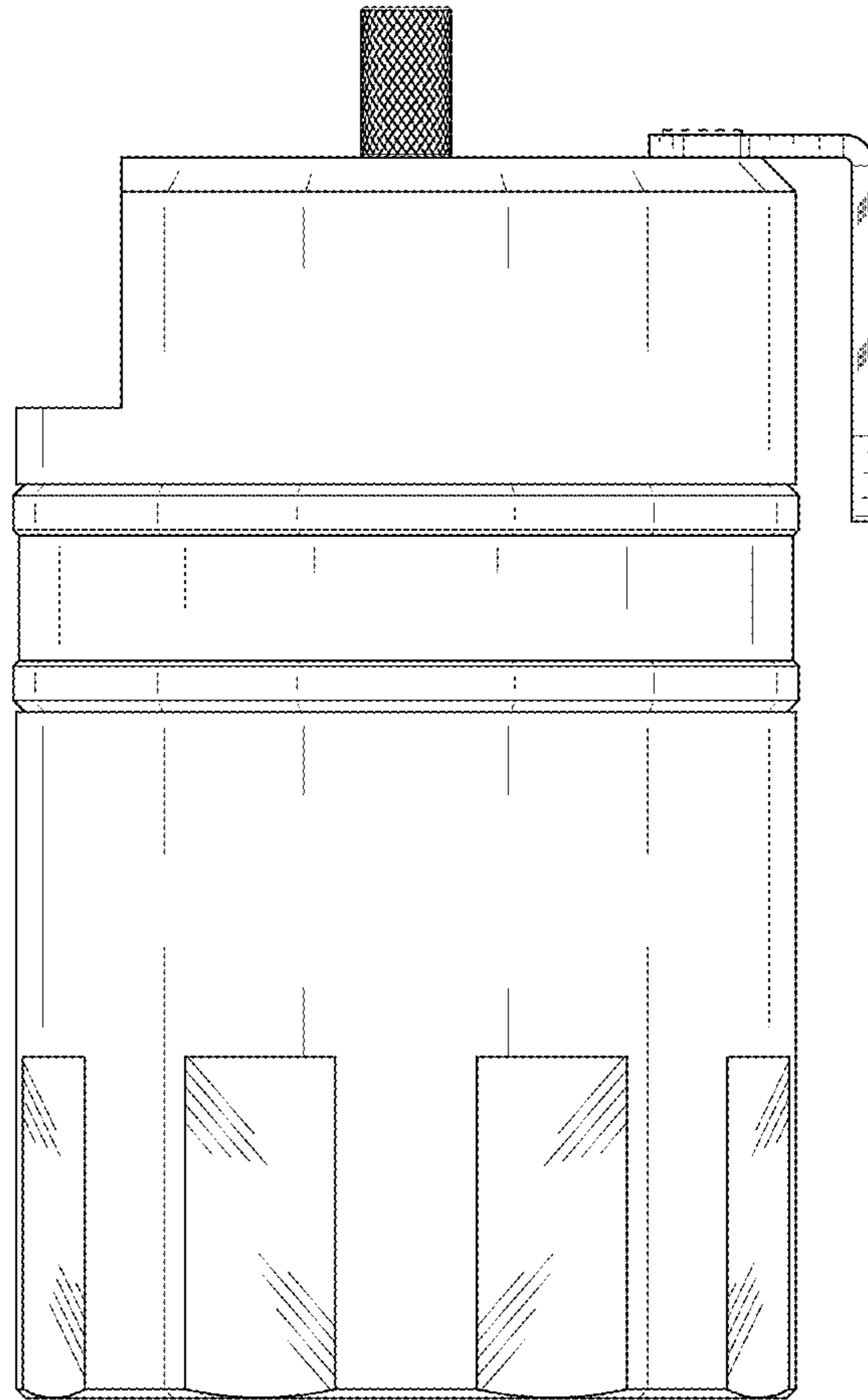
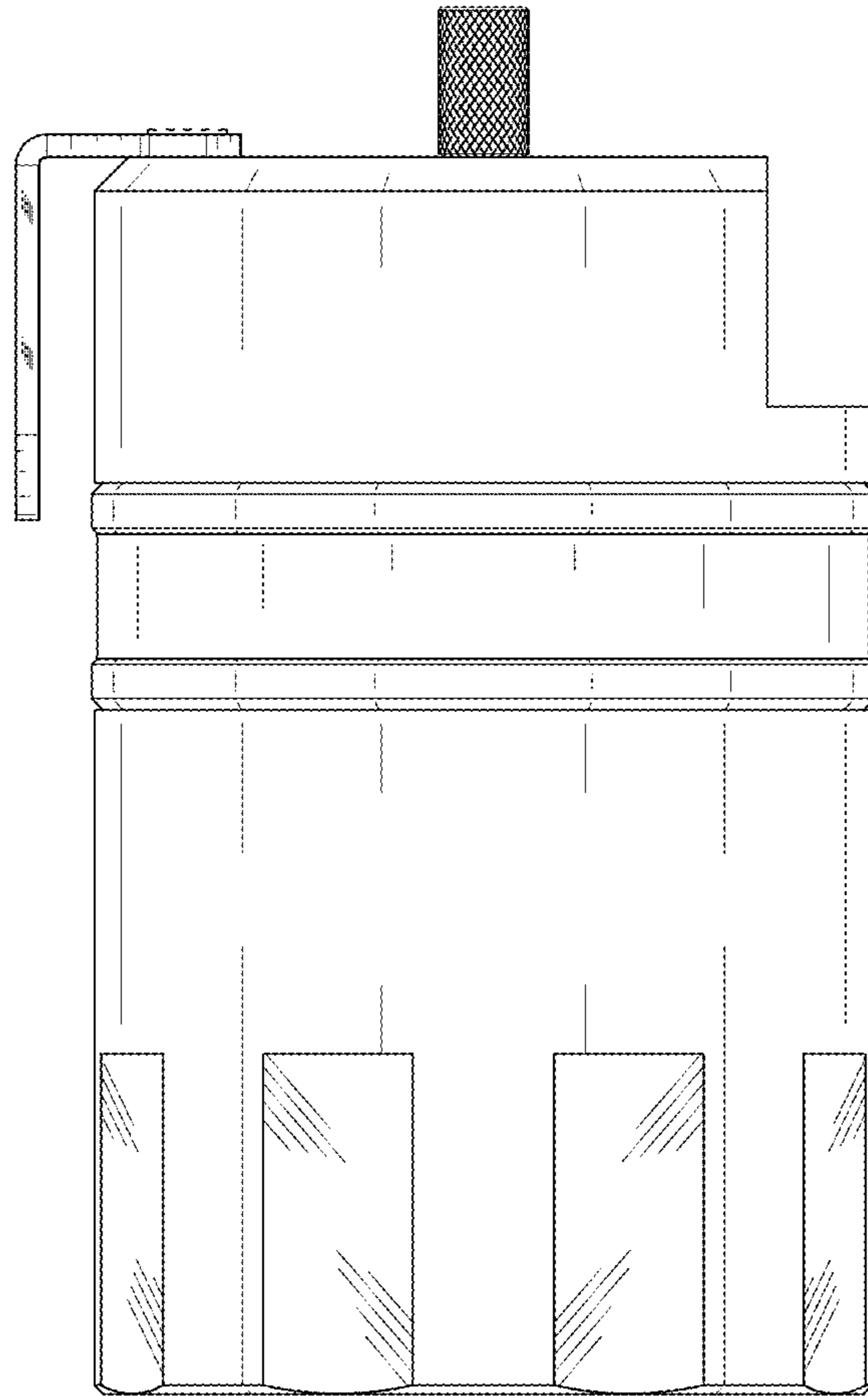
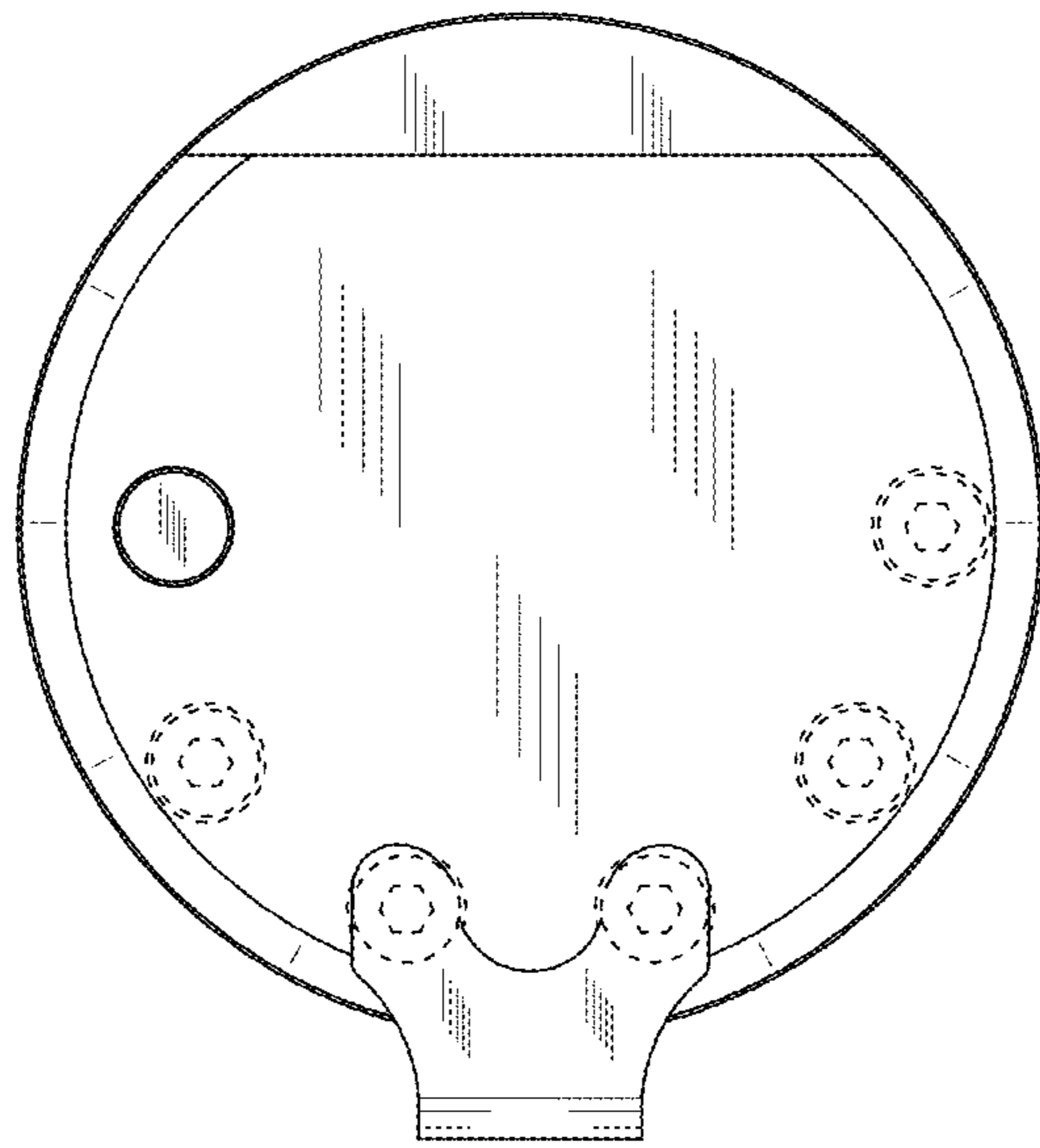


FIG.4

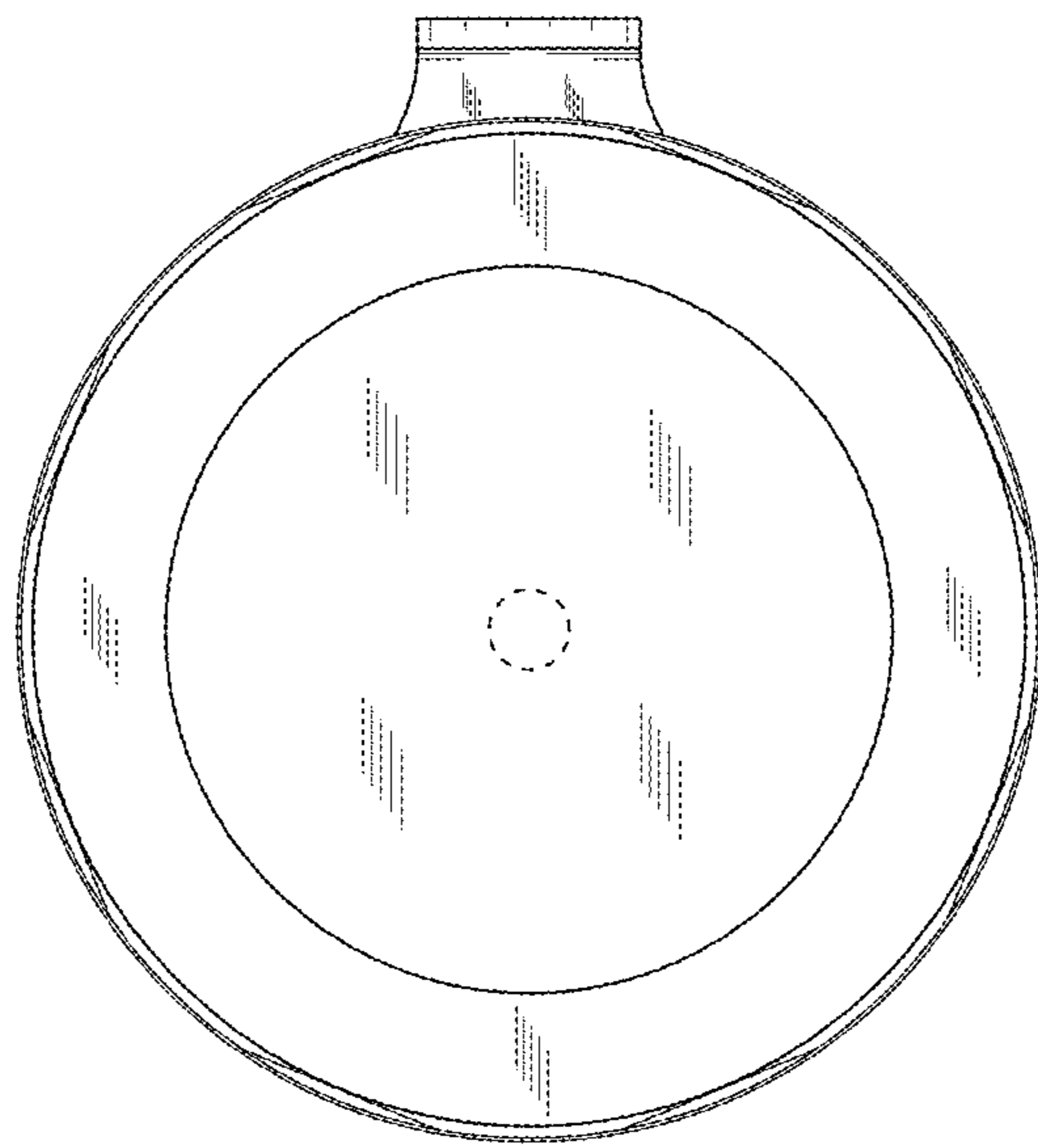


*FIG. 5*

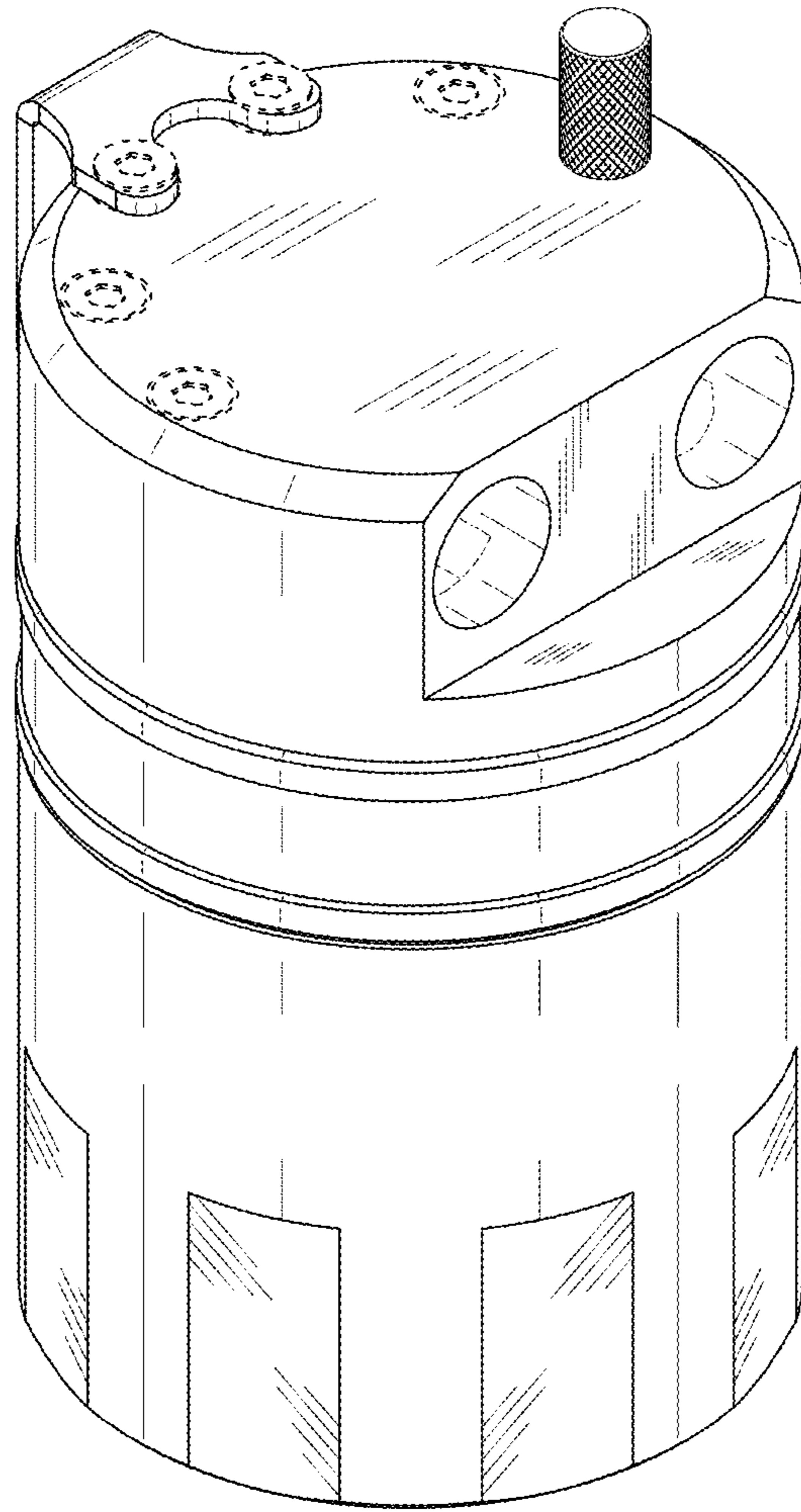


*FIG. 6*

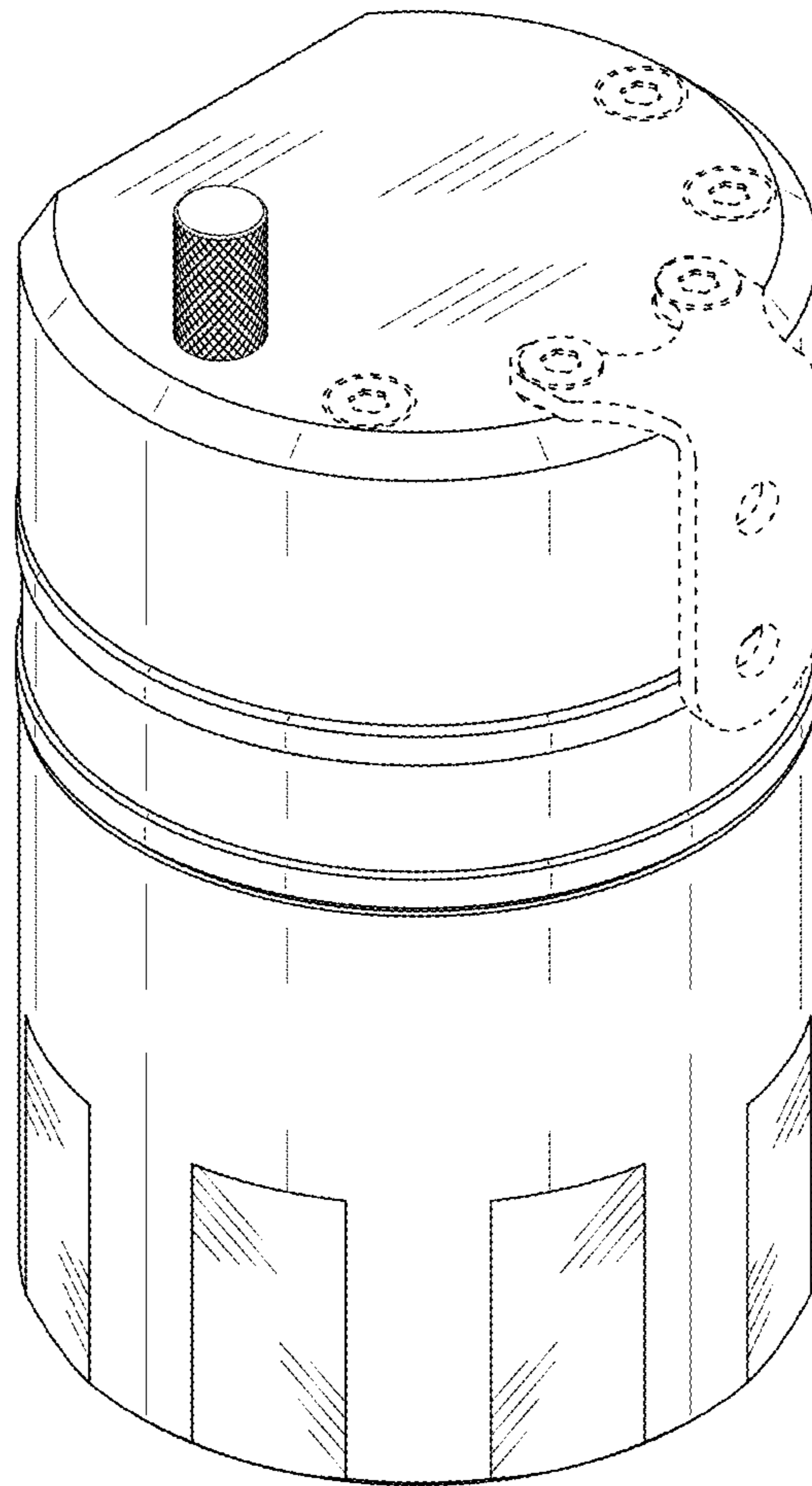




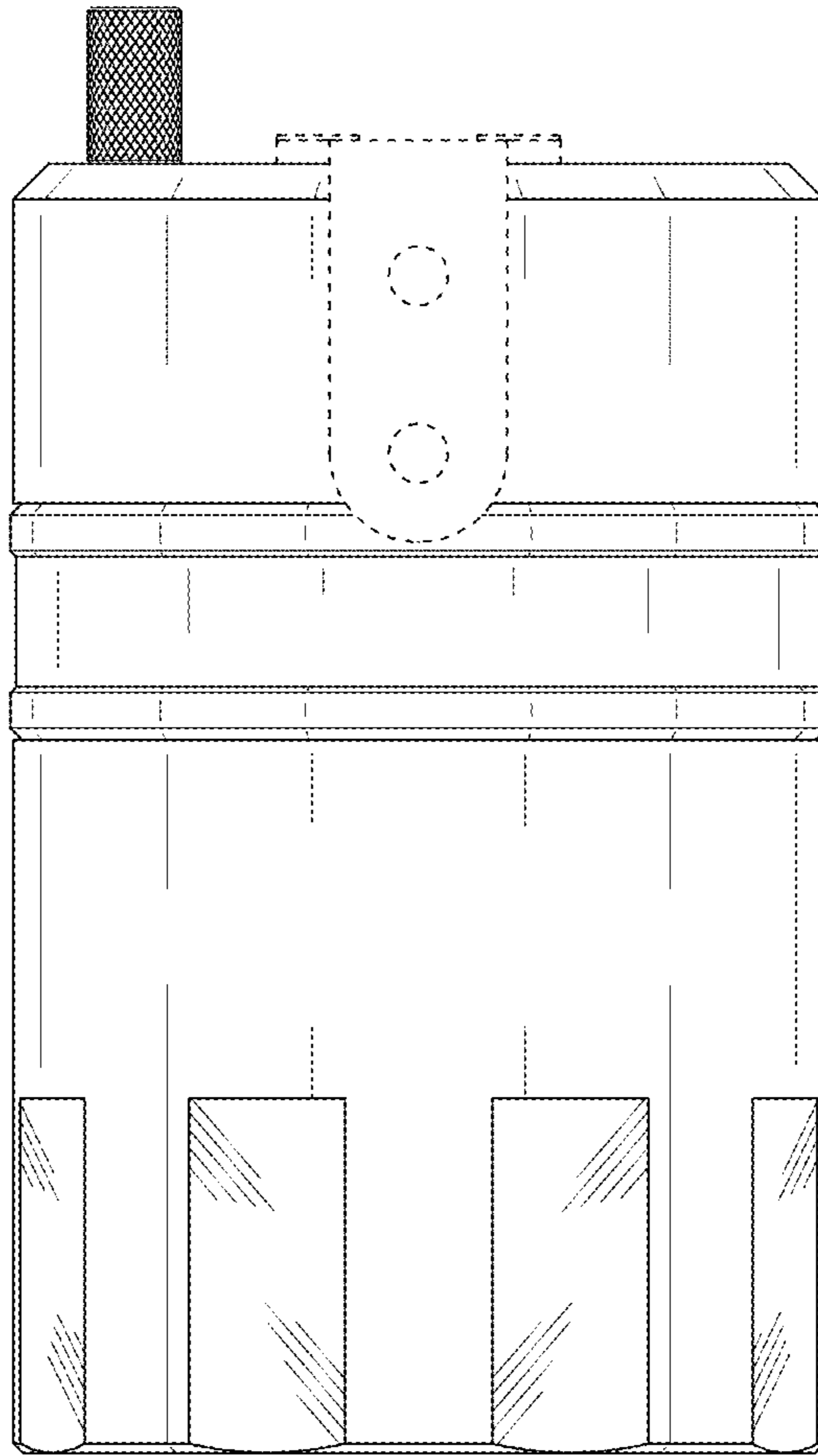
*FIG. 7*



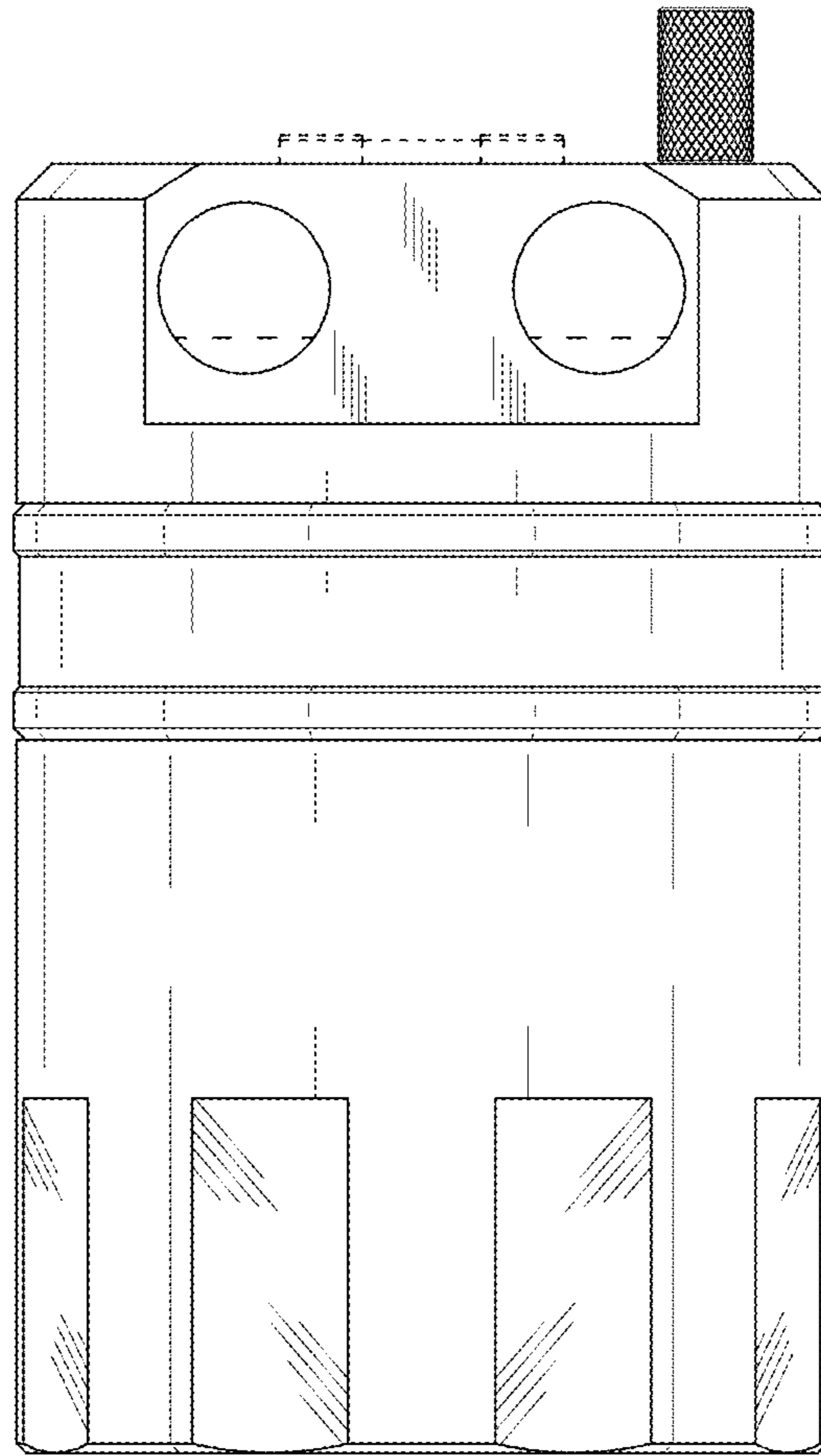
*FIG. 8*



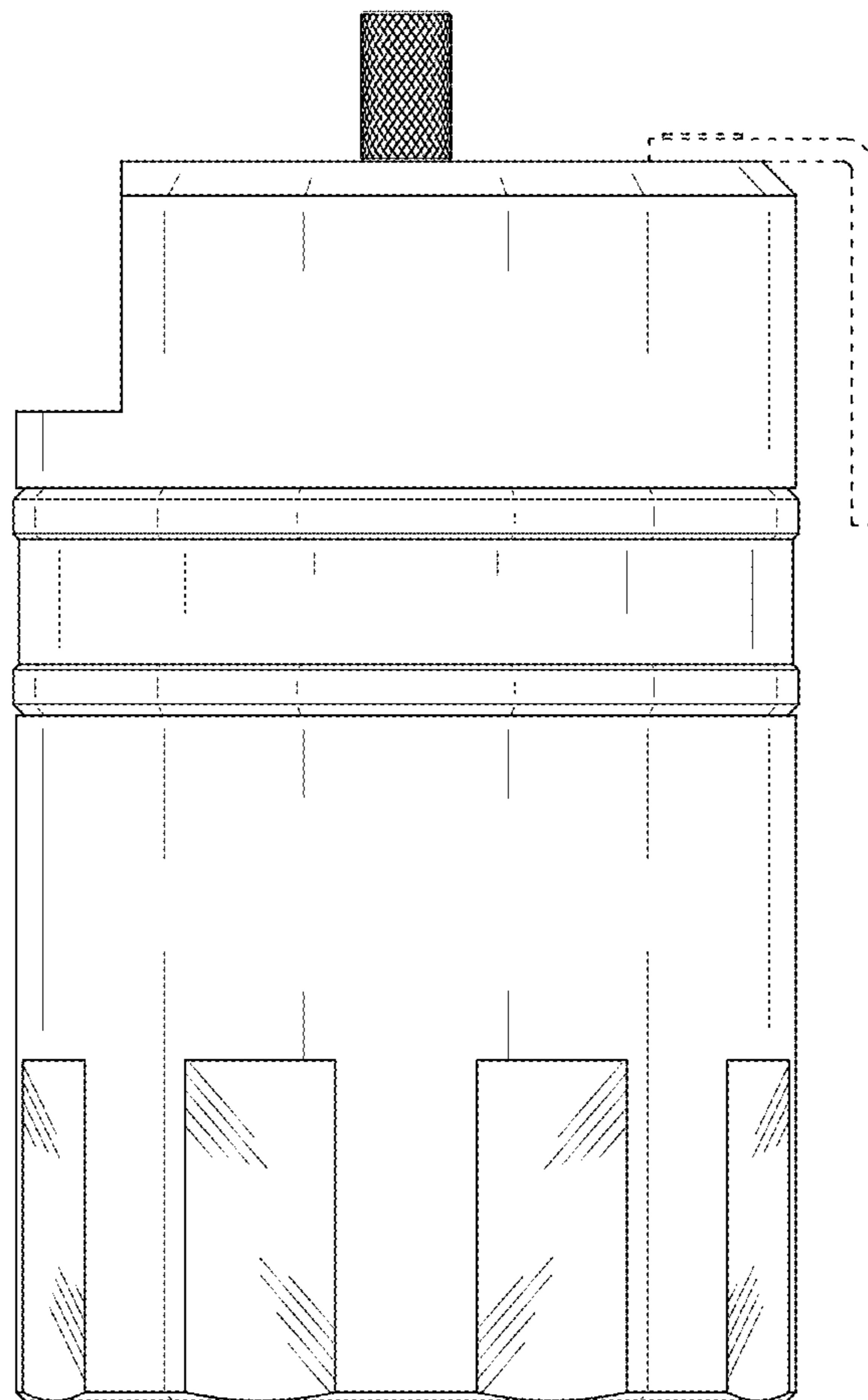
*FIG. 9*



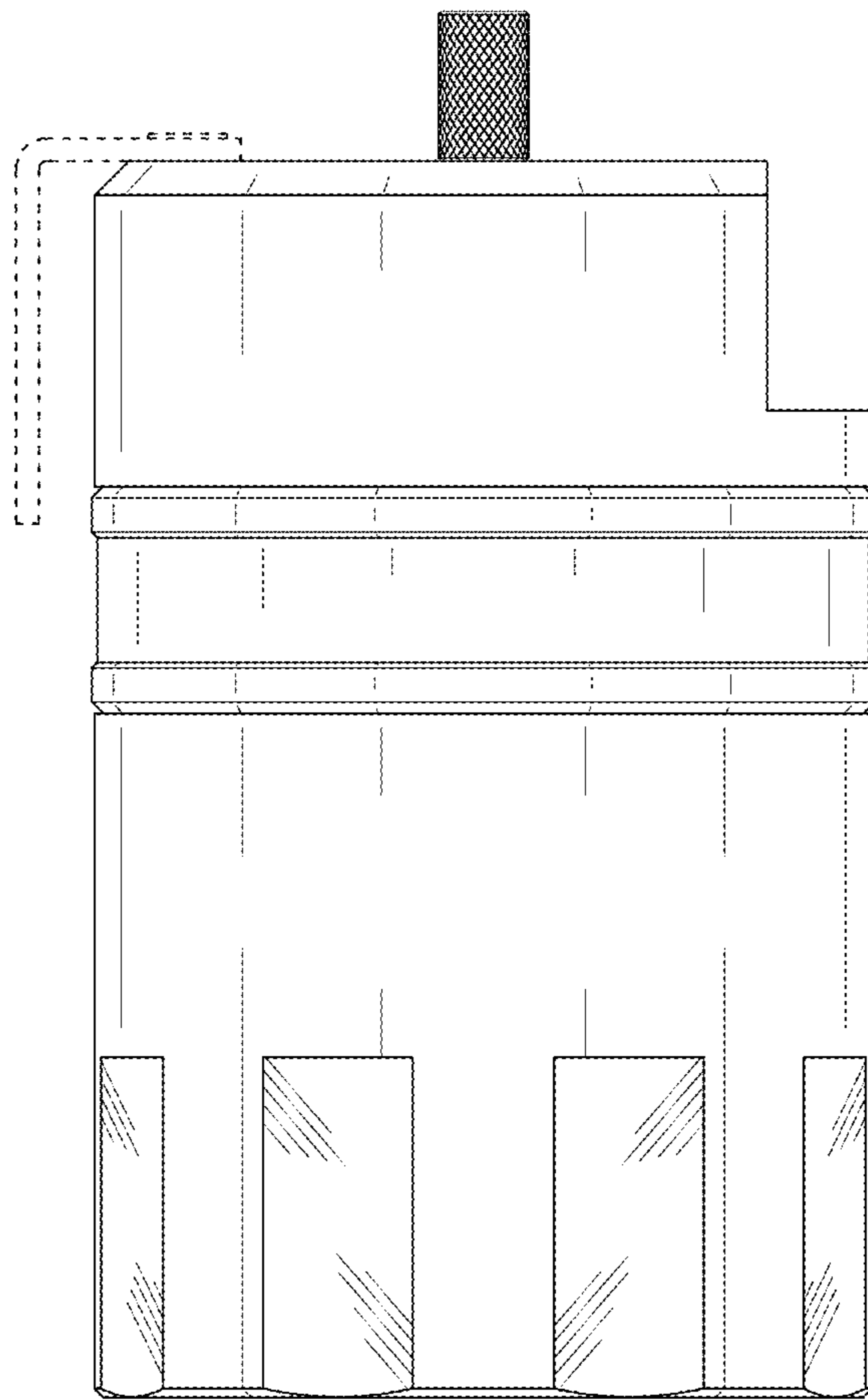
*FIG. 10*



*FIG. 11*



*FIG. 12*



*FIG. 13*

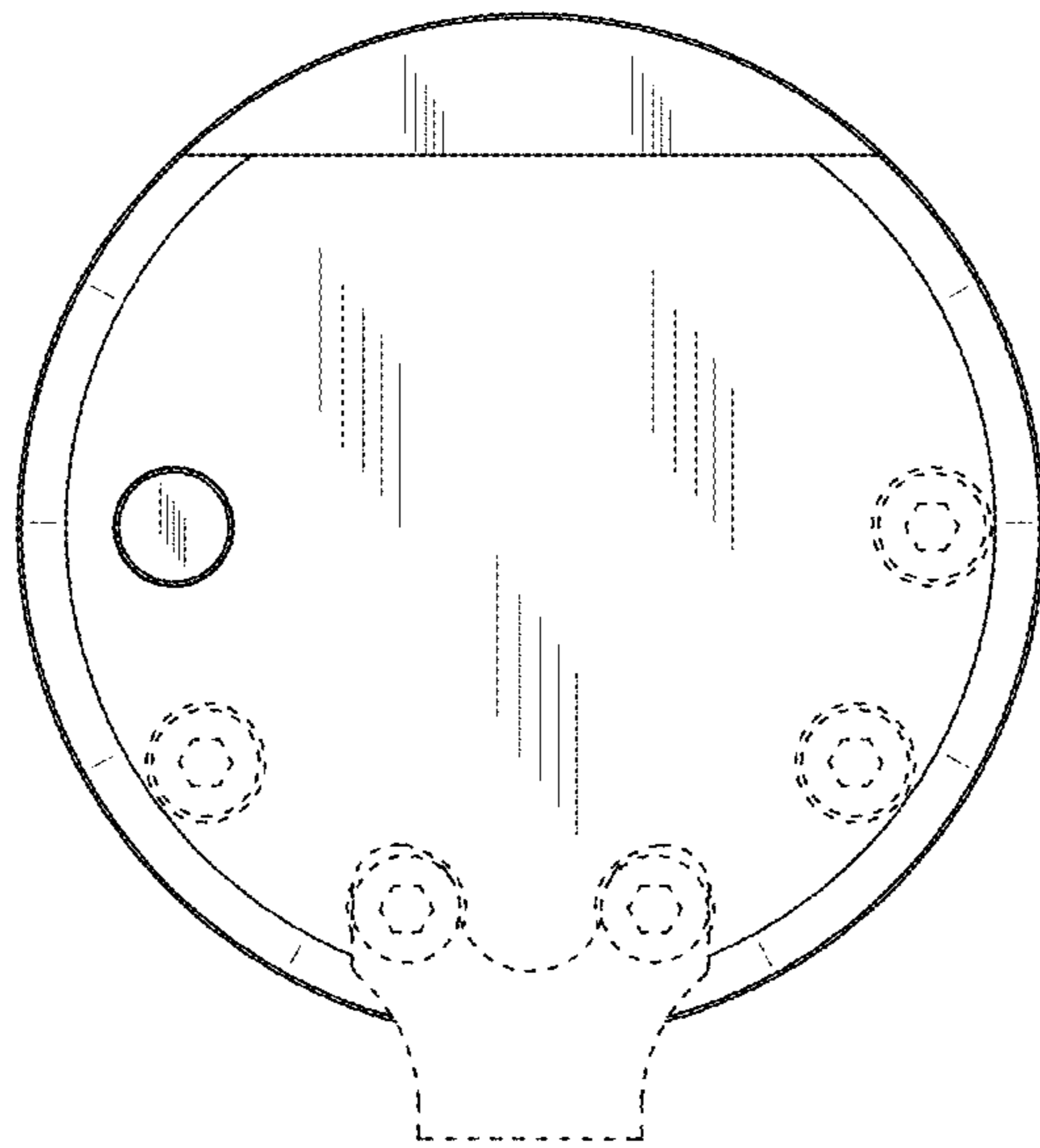
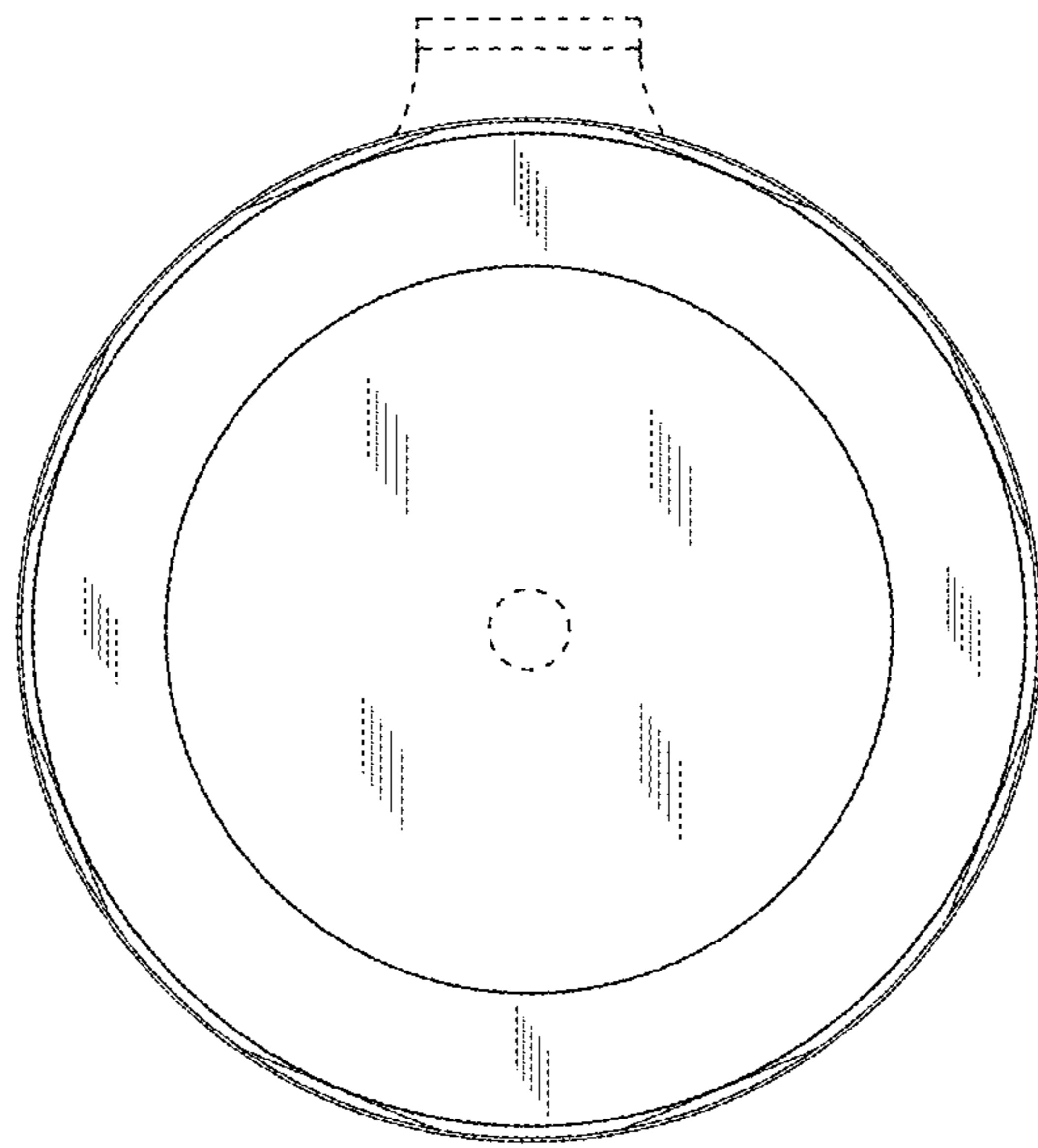
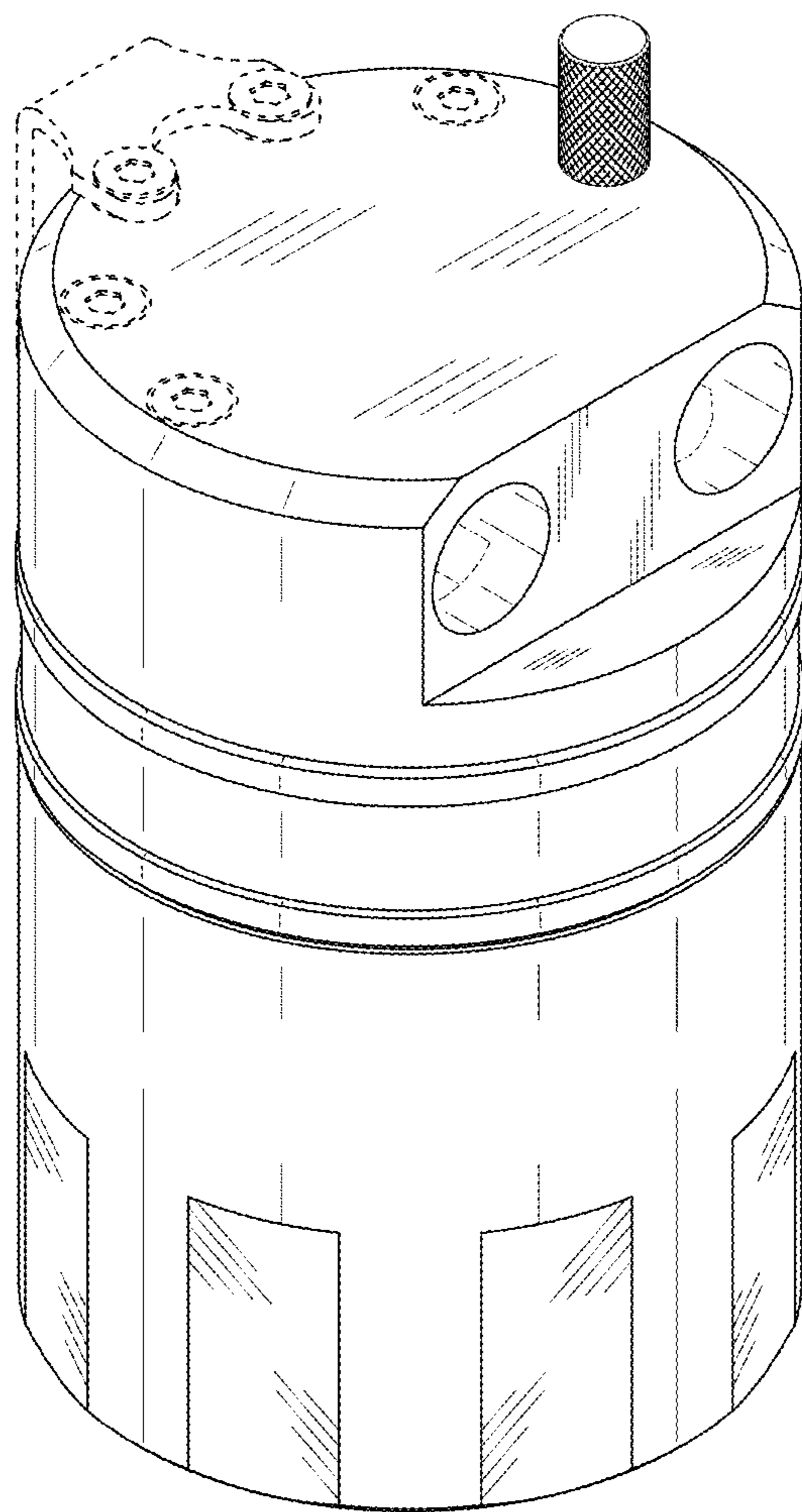


FIG. 14





*FIG. 15*



*FIG. 16*