



US00D870784S

(12) **United States Design Patent**  
**Hirabayashi**

(10) **Patent No.:** **US D870,784 S**

(45) **Date of Patent:** **\*\* Dec. 24, 2019**

(54) **MOTOR ACTUATOR**

(71) Applicant: **MINEBEA MITSUMI Inc.**, Nagano (JP)

(72) Inventor: **Koichiro Hirabayashi**, Hirakata (JP)

(73) Assignee: **MINEBEA MITSUMI INC.**, Nagano (JP)

(\*\*) Term: **15 Years**

(21) Appl. No.: **29/659,028**

(22) Filed: **Aug. 6, 2018**

(30) **Foreign Application Priority Data**

Feb. 27, 2018 (JP) ..... 2018-004062

(51) **LOC (12) Cl.** ..... **15-09**

(52) **U.S. Cl.**  
USPC ..... **D15/148**

(58) **Field of Classification Search**  
USPC ..... D13/158, 160; D15/143, 148, 199  
CPC ..... F15B 15/00; F15B 15/12; F15B 15/065;  
H02K 5/24; H02K 7/00; H02K 19/06;  
H02K 26/00; H02K 33/00; H02K 33/16;  
H02K 37/00

See application file for complete search history.

(56) **References Cited**

**U.S. PATENT DOCUMENTS**

- 5,777,410 A \* 7/1998 Asakura ..... B60H 1/00835  
310/69
- D660,891 S \* 5/2012 Sannomiya ..... D15/143
- D680,141 S \* 4/2013 Sannomiya ..... D15/148
- D706,325 S \* 6/2014 Wada ..... D15/148
- D707,739 S \* 6/2014 Wada ..... D15/148
- D747,745 S \* 1/2016 Sannomiya ..... D15/5
- D829,792 S \* 10/2018 Matsutou ..... D15/148
- D844,038 S \* 3/2019 Alfano ..... D15/148

- D855,022 S \* 7/2019 Chen ..... D13/112
- 2002/0111241 A1 \* 8/2002 Kujira ..... F16H 37/041  
475/149
- 2006/0164030 A1 \* 7/2006 Kujira ..... H02P 25/12  
318/400.38
- 2013/0104682 A1 \* 5/2013 Schneider ..... F16H 1/20  
74/421 A
- 2014/0000399 A1 \* 1/2014 Inoue ..... F16H 57/023  
74/412 R
- 2015/0108860 A1 \* 4/2015 Shibata ..... H02K 5/225  
310/71
- 2015/0357884 A1 \* 12/2015 Luo ..... H02K 11/022  
310/72
- 2016/0126680 A1 \* 5/2016 Maeda ..... H02K 5/225  
310/71
- 2016/0141933 A1 \* 5/2016 Akiyama ..... H02K 5/24  
310/89

(Continued)

*Primary Examiner* — Patricia A Palasik

(74) *Attorney, Agent, or Firm* — Pearne & Gordon LLP

(57) **CLAIM**

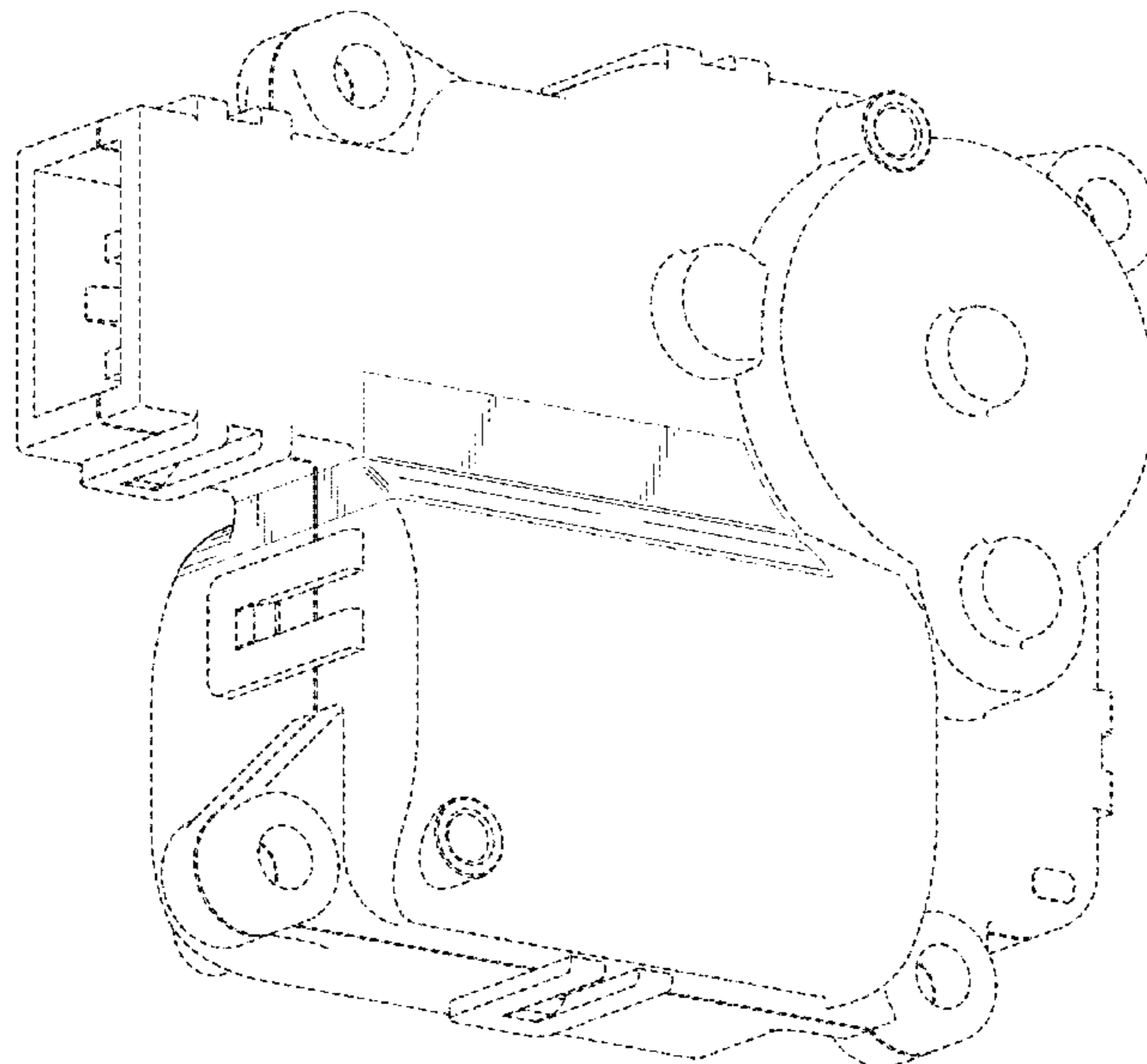
The ornamental design for a motor actuator, as shown and described.

**DESCRIPTION**

FIG. 1 is a front, bottom and left-side perspective view of a motor actuator showing my new design; FIG. 2 is a rear, top and left-side perspective view thereof; FIG. 3 is a front elevation view thereof; FIG. 4 is a rear elevation view thereof; FIG. 5 is a left-side elevation view thereof; FIG. 6 is a right-side elevation view thereof; FIG. 7 is a top plan view thereof; and, FIG. 8 is a bottom plan view thereof.

The broken lines depict portions of the motor actuator that form no part of the claimed design. The dot-dash boundary lines define the boundary of the claimed design and form no part of the claimed design.

**1 Claim, 7 Drawing Sheets**



(56)

**References Cited**

U.S. PATENT DOCUMENTS

2017/0067755 A1\* 3/2017 Tsuda ..... H01R 13/5213  
2019/0107197 A1\* 4/2019 Pezzotta ..... F16H 63/3466

\* cited by examiner

FIG. 1

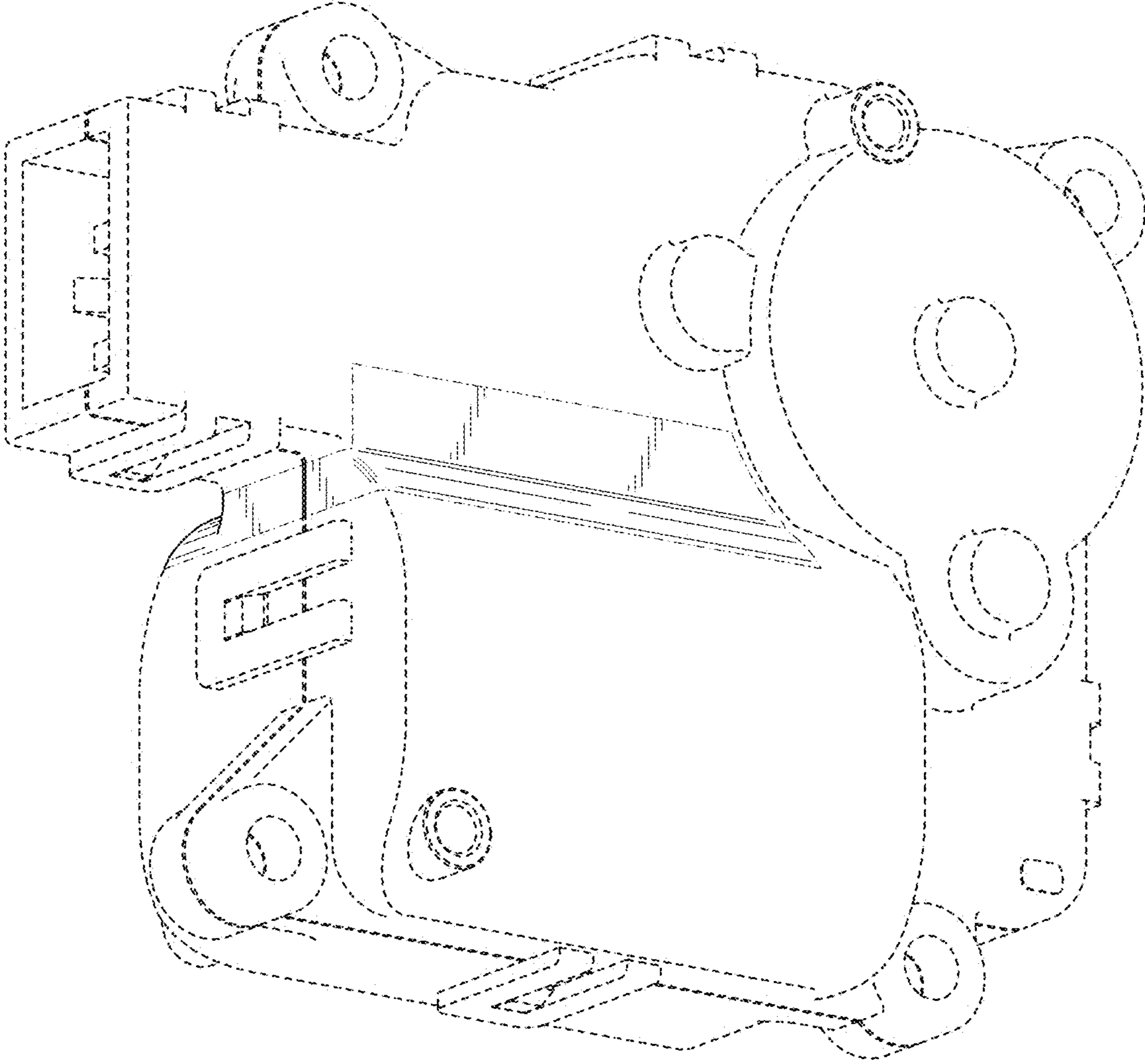


FIG. 2

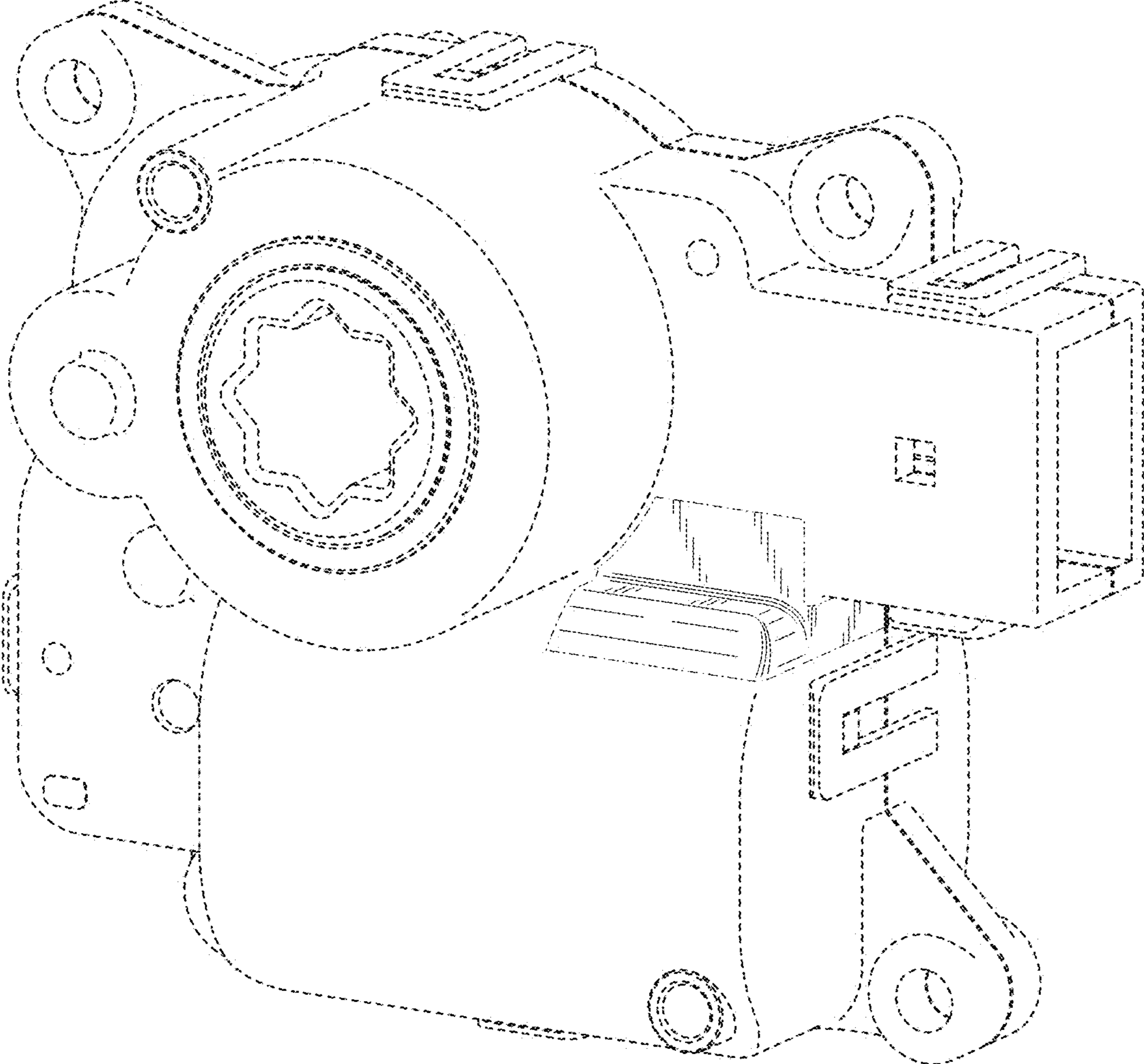


FIG. 3

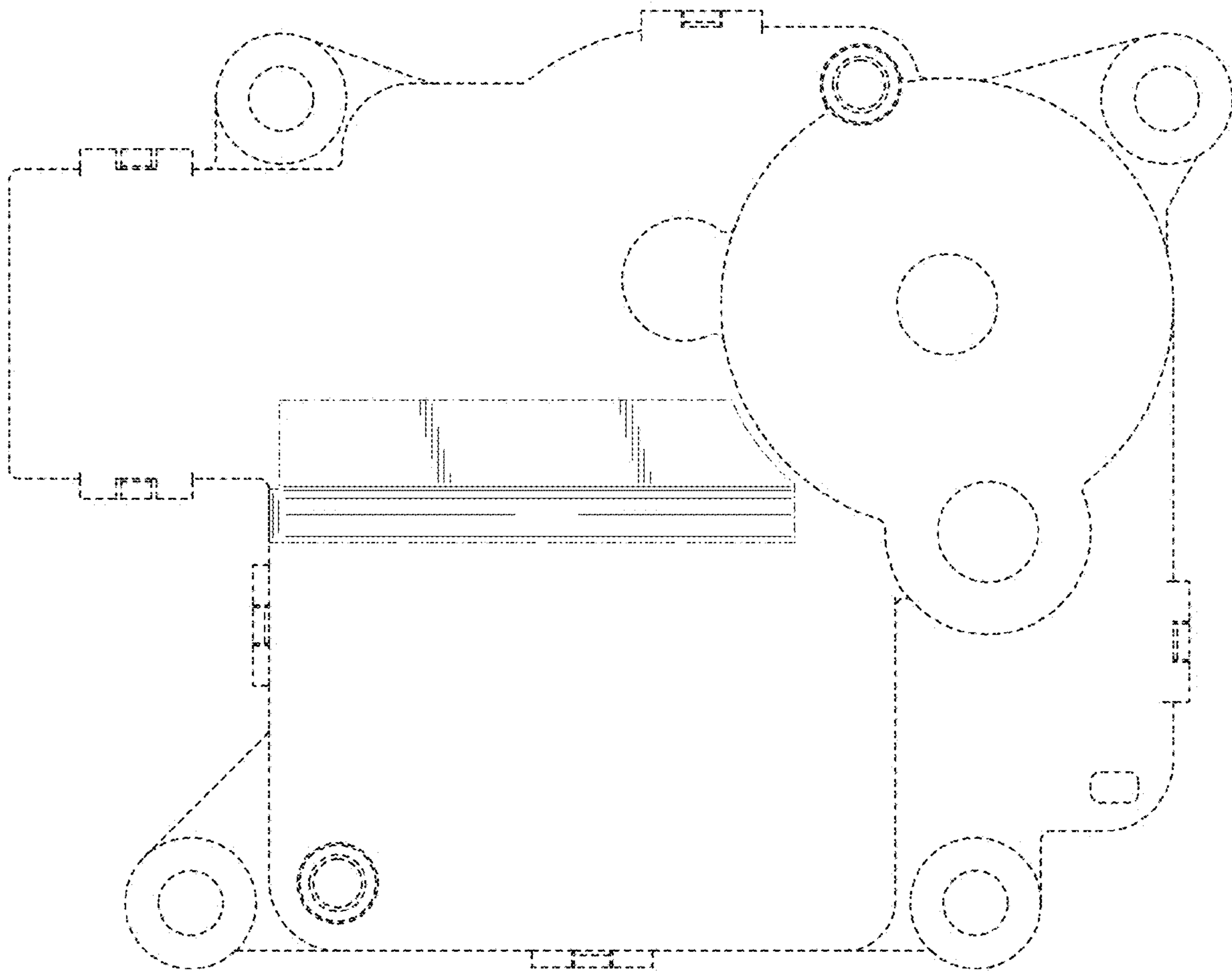


FIG. 4

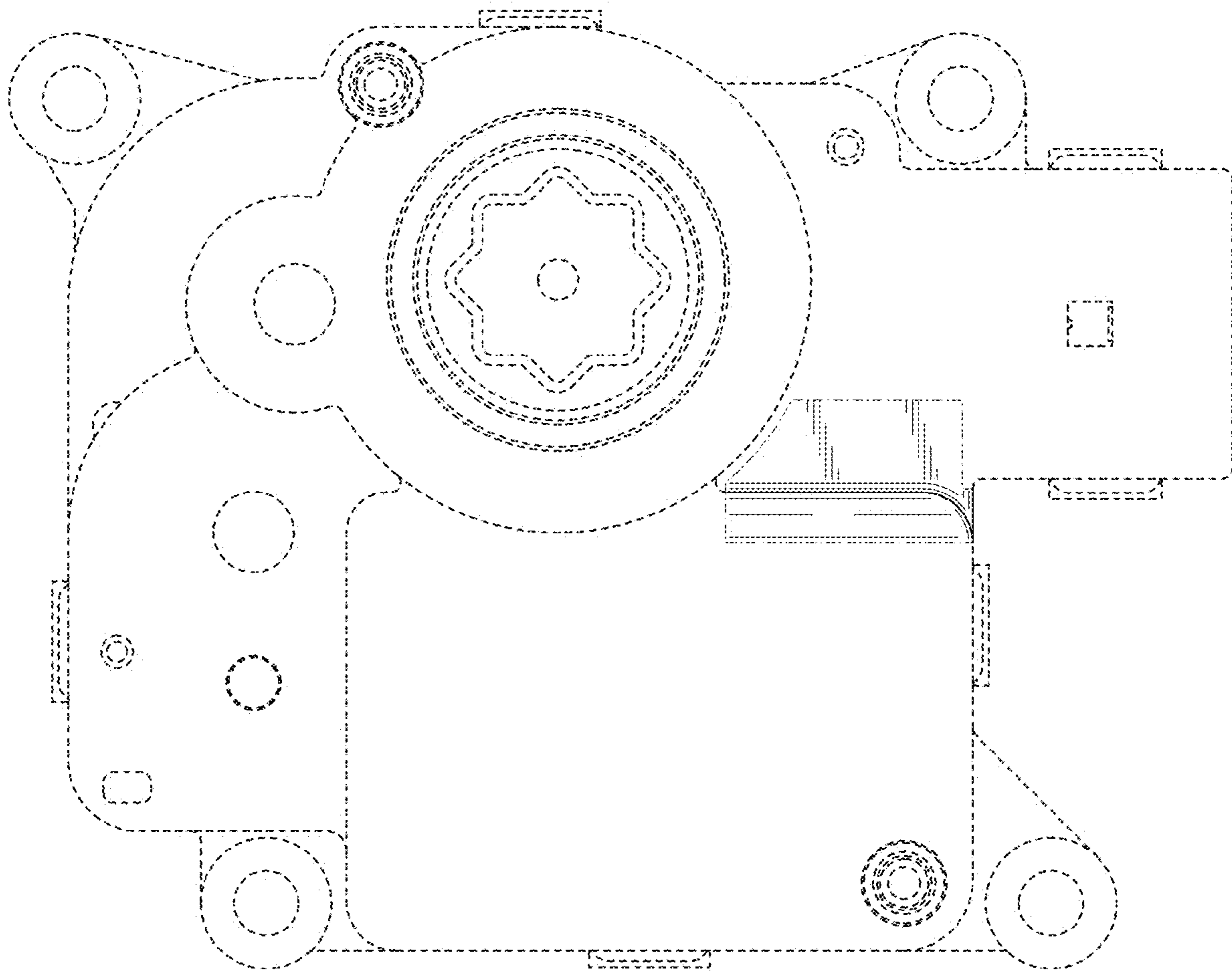
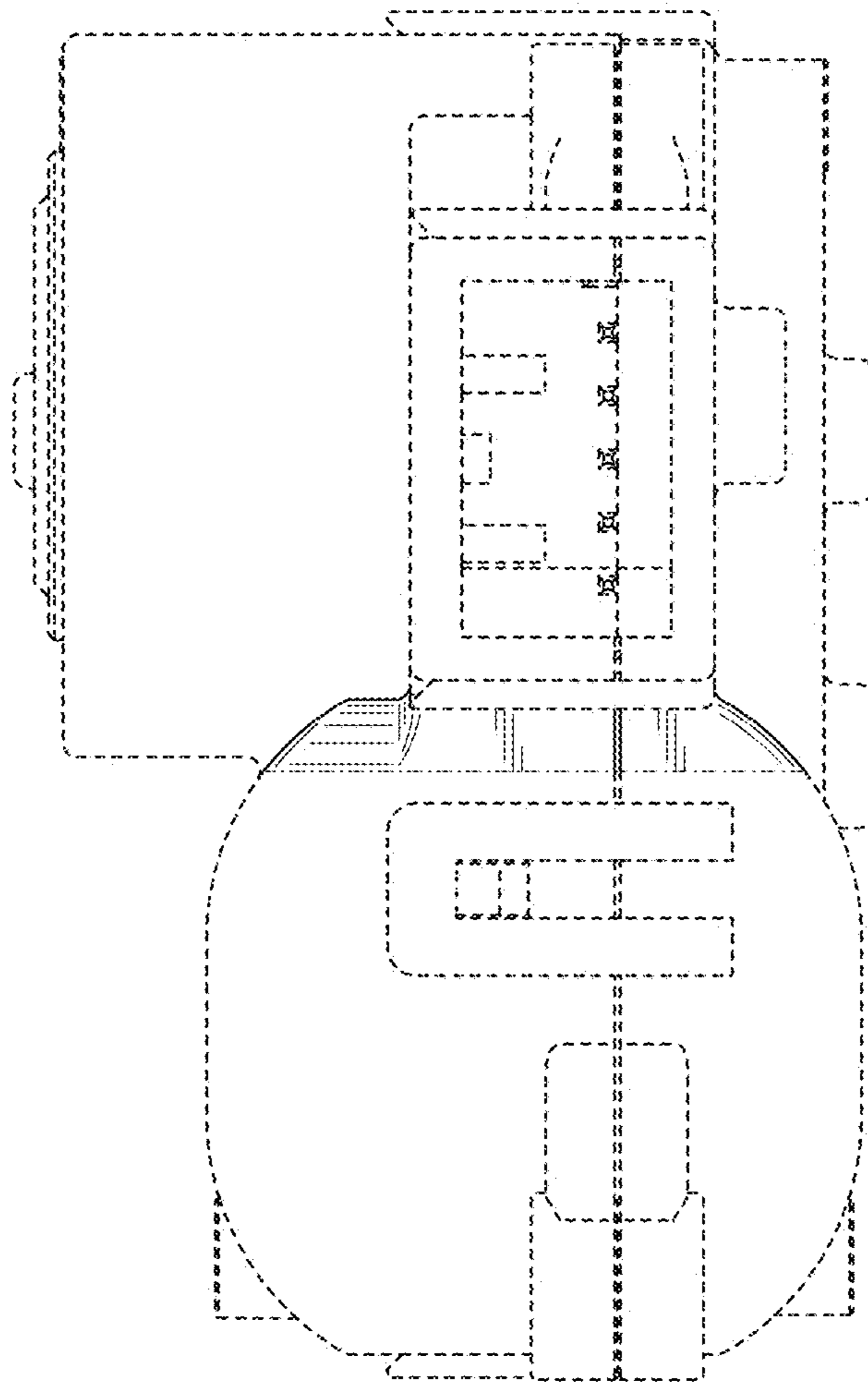
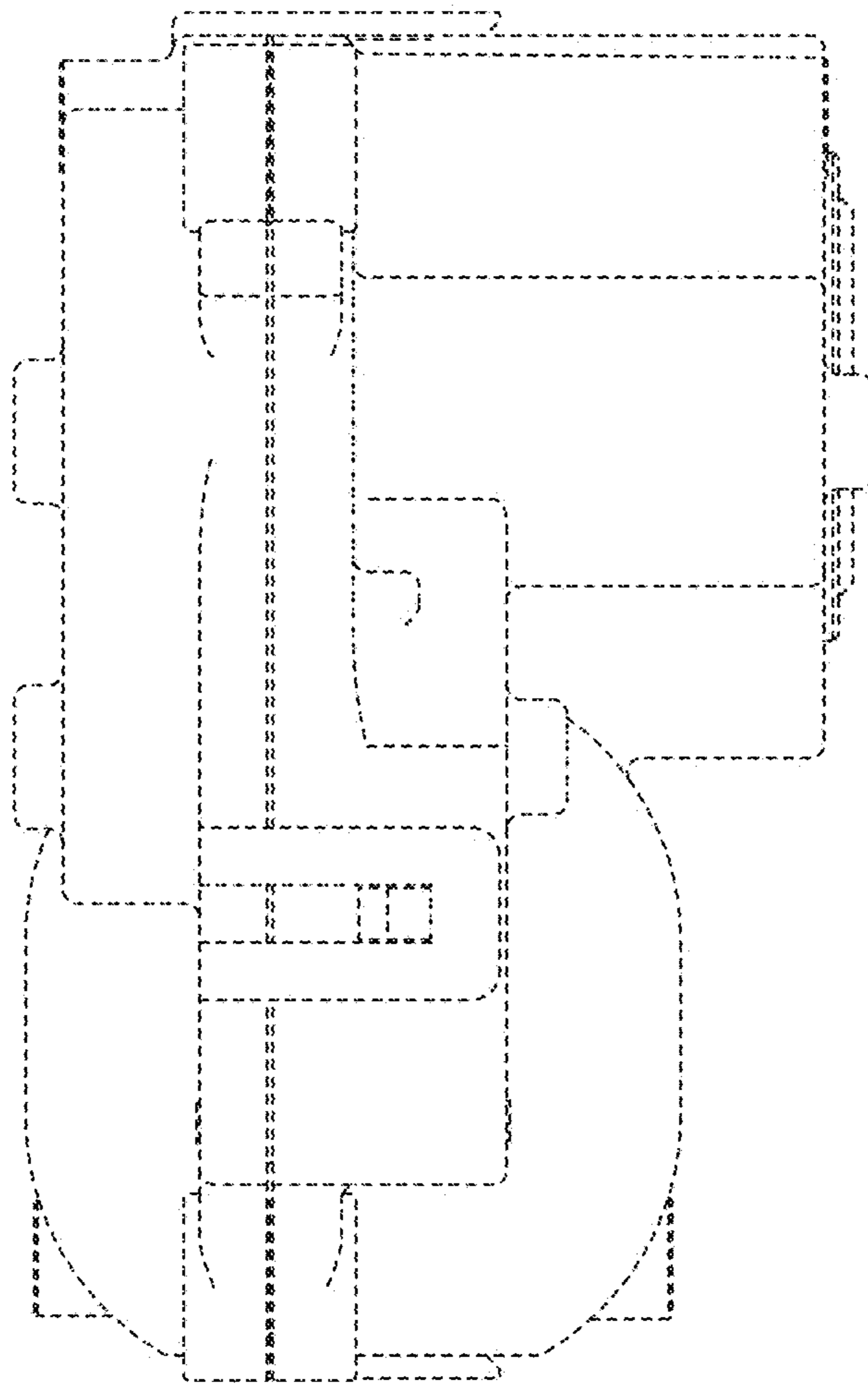


FIG. 5

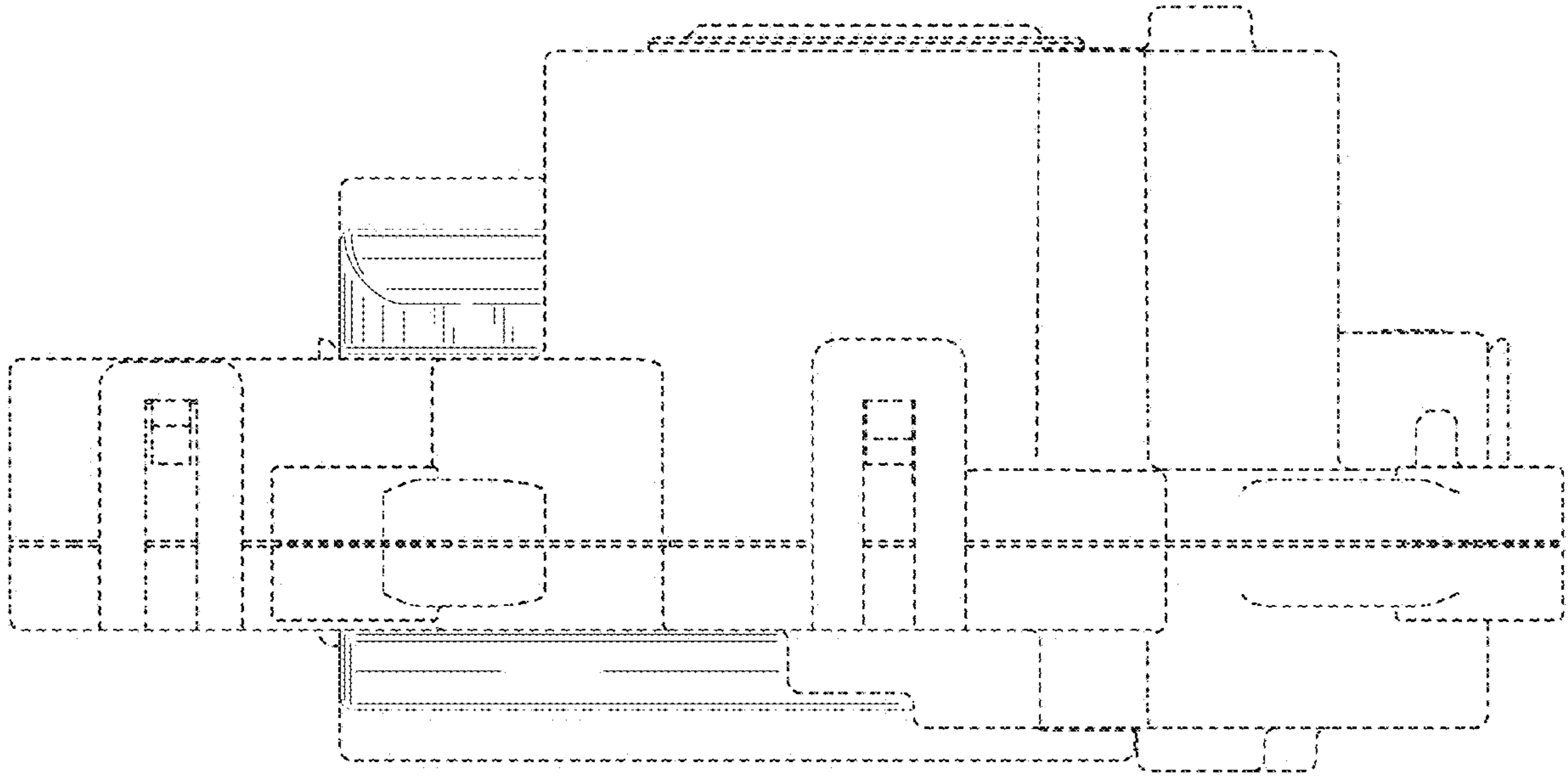


*FIG. 6*





*FIG. 7*



*FIG. 8*

