



US00D870783S

(12) **United States Design Patent** (10) **Patent No.:** **US D870,783 S**  
**Son** (45) **Date of Patent:** **\*\* Dec. 24, 2019**

(54) **CUTTING INSERT**  
(71) Applicant: **TaeguTec, Ltd.**, Gachang-ro,  
Gachang-myeon, Dalseong-gun, Daegu  
(KR)  
(72) Inventor: **Hee Yun Son**, Daegu (KR)  
(73) Assignee: **TaeguTec, Ltd.**, Dalseong-gun, Daegu  
(KR)

(\*\*) Term: **15 Years**  
(21) Appl. No.: **29/656,377**

(22) Filed: **Jul. 12, 2018**

(30) **Foreign Application Priority Data**

Jun. 7, 2018 (KR) ..... 30-2018-0026336

(51) **LOC (12) Cl.** ..... **15-09**

(52) **U.S. Cl.**  
USPC ..... **D15/139**

(58) **Field of Classification Search**  
USPC ..... D8/86, 70; D15/138, 139, 140  
CPC ..... E23B 51/00; E21B 10/54; E21B 10/55;  
E21B 10/567; E21B 10/5673; E21B  
10/602  
See application file for complete search history.

(56) **References Cited**

**U.S. PATENT DOCUMENTS**

D515,115 S \* 2/2006 Sollami ..... D15/139  
D531,649 S \* 11/2006 Sollami ..... D15/139  
7,419,337 B2 9/2008 Berminge  
D579,470 S \* 10/2008 Maeta ..... D15/139  
D595,322 S \* 6/2009 Sakata ..... D15/139  
D595,323 S \* 6/2009 Sakata ..... D15/139

D638,041 S \* 5/2011 Saito ..... D15/139  
D647,116 S \* 10/2011 Omi ..... D15/139  
D688,716 S \* 8/2013 Lampe ..... D15/139  
D700,640 S \* 3/2014 Choi ..... D15/139  
D735,254 S \* 7/2015 O'Malley ..... D15/139  
D736,841 S \* 8/2015 Jung ..... D15/139  
D755,267 S \* 5/2016 Lee ..... D15/139  
D772,319 S \* 11/2016 Nam ..... D15/139  
D778,330 S \* 2/2017 Fang ..... D15/139  
D794,102 S \* 8/2017 Ryu ..... D15/139  
D804,552 S \* 12/2017 Lee ..... D15/139  
D805,564 S \* 12/2017 Lee ..... D15/139  
D807,935 S \* 1/2018 Dudzinsky ..... B23C 5/2221  
D15/139  
D815,165 S \* 4/2018 Morisaki ..... D15/139  
D818,016 S \* 5/2018 Yoshida ..... D15/139  
D822,077 S \* 7/2018 Takahashi ..... D15/139  
D822,731 S \* 7/2018 Yoshida ..... D15/139  
2011/0110733 A1 5/2011 Hecht  
2014/0072379 A1 3/2014 Hecht  
2014/0199128 A1 7/2014 Hecht  
2014/0348601 A1 11/2014 Hecht

\* cited by examiner

*Primary Examiner* — Darlington Ly

(74) *Attorney, Agent, or Firm* — Womble Bond Dickinson  
(US) LLP

(57) **CLAIM**

The ornamental design for a cutting insert, as shown and described.

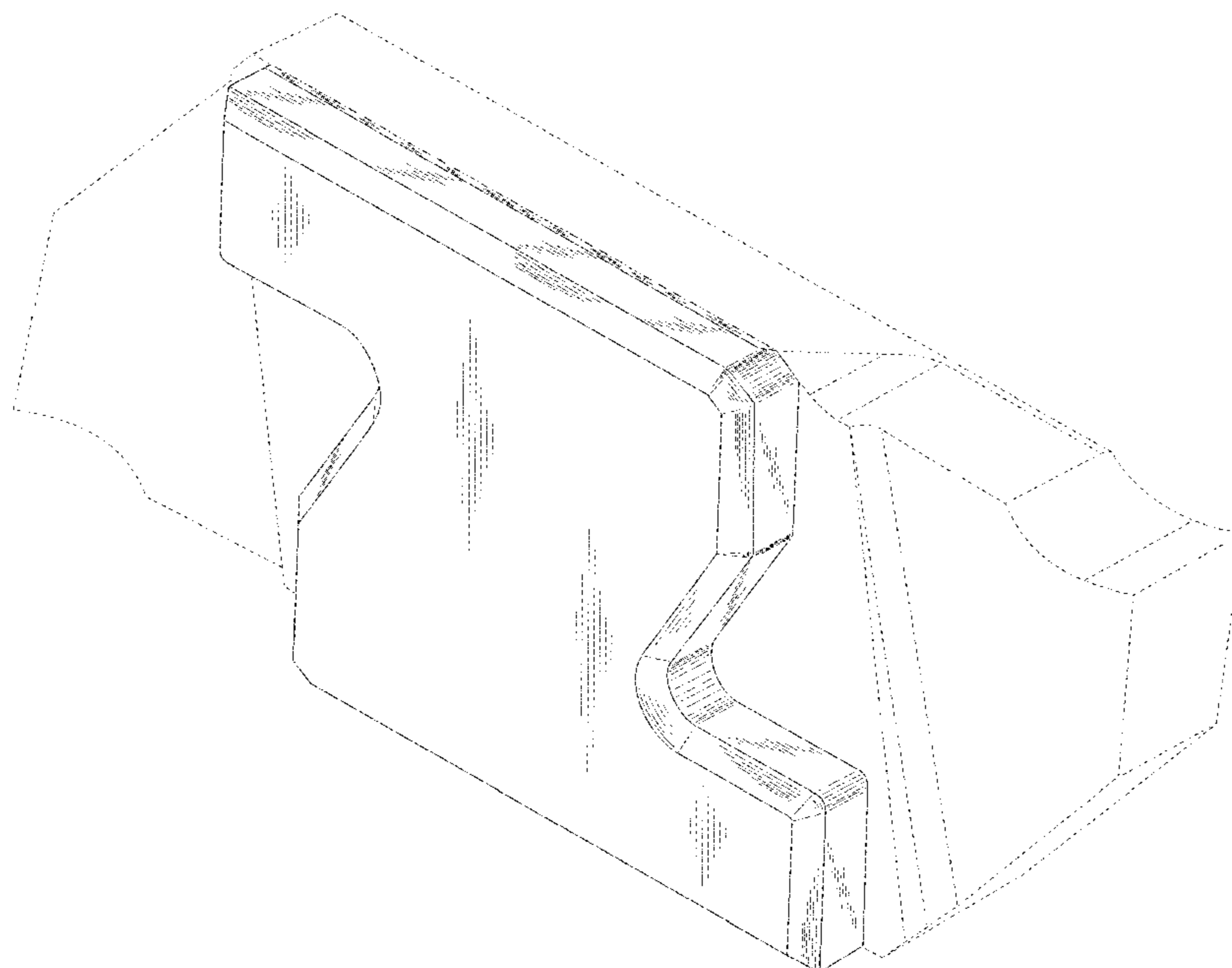
**DESCRIPTION**

FIG. 1 is a perspective view of a cutting insert showing my new design; and,

FIG. 2 is a front elevation view thereof.

The dash-dash broken line showing portions of the cutting insert and dash-dot broken line showing boundaries do not form part of the claimed design.

**1 Claim, 2 Drawing Sheets**



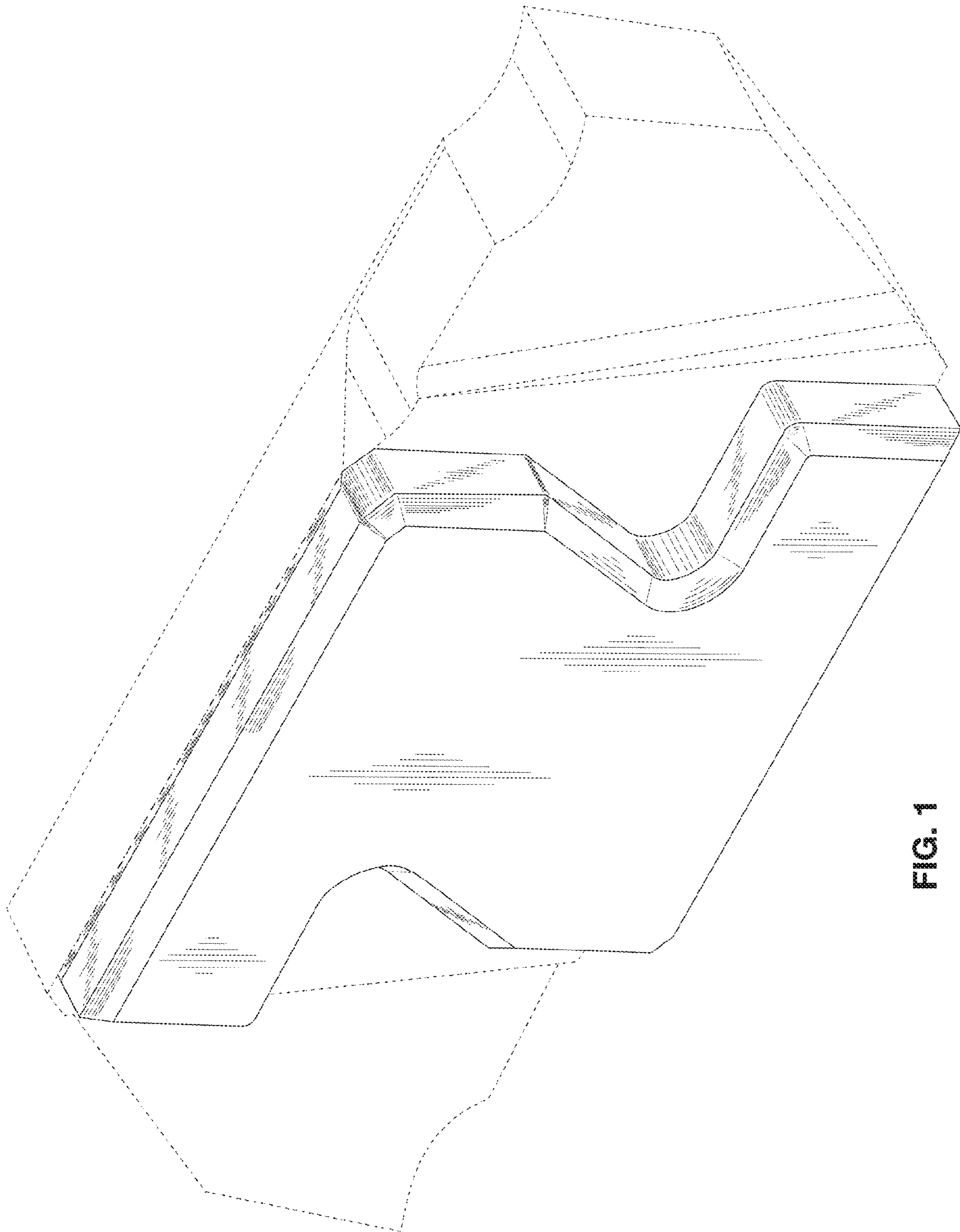


FIG. 1

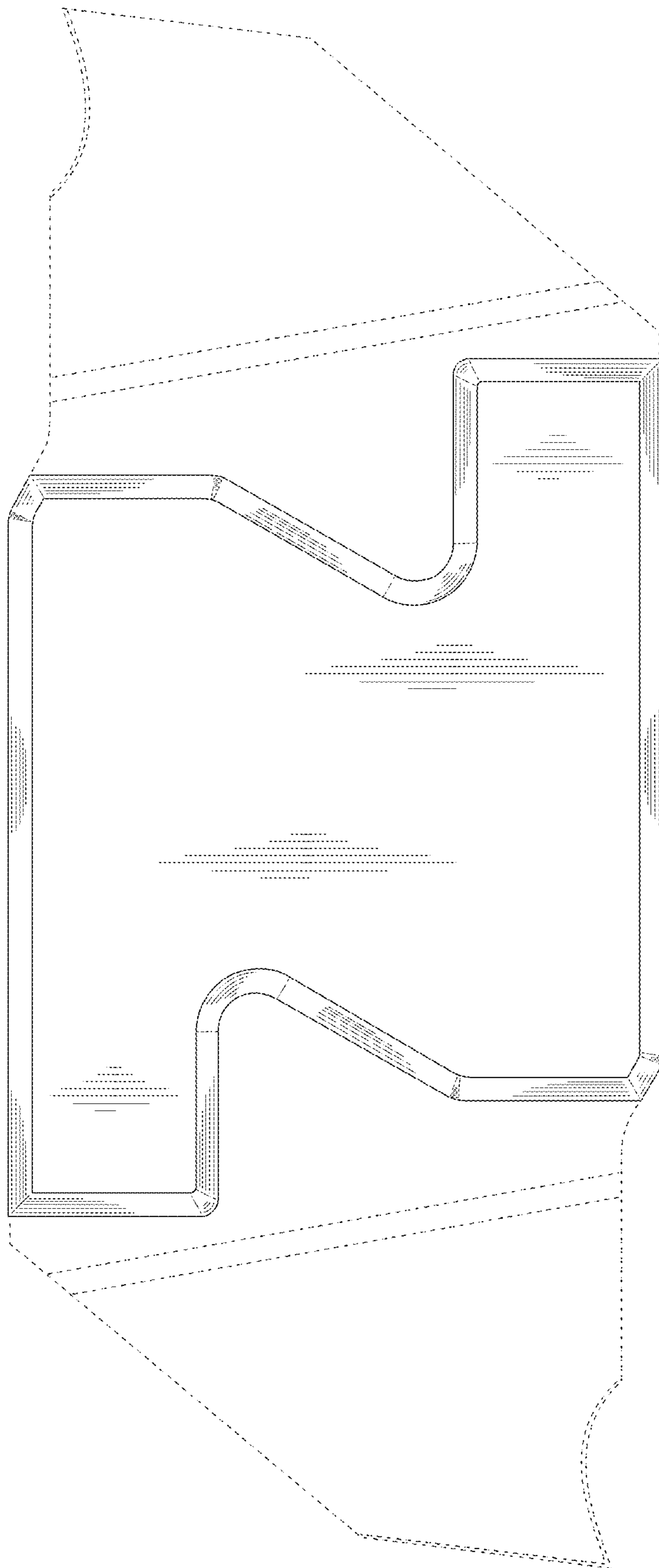


FIG. 2