



US00D870780S

(12) **United States Design Patent** (10) **Patent No.:** **US D870,780 S**
Zhang et al. (45) **Date of Patent:** **** Dec. 24, 2019**

- (54) **INSTRUMENT FOR PREPARING BIO-INK**
- (71) Applicant: **REVOTEK CO., LTD**, Sichuan (CN)
- (72) Inventors: **Leqing Zhang**, Sichuan (CN); **Deming Wang**, Sichuan (CN); **Yaya Zhang**, Sichuan (CN)
- (73) Assignee: **REVOTEK CO., LTD**, Sichuan (CN)
- (**) Term: **15 Years**
- (21) Appl. No.: **29/654,788**
- (22) Filed: **Jun. 27, 2018**
- (51) **LOC (12) Cl.** **15-09**
- (52) **U.S. Cl.**
 USPC **D15/122**
- (58) **Field of Classification Search**
 USPC D15/122; D18/6-7, 14, 19, 50, 54, 54.1, D18/55, 59
 CPC . B29C 47/12; B29C 67/0059; B29C 67/6659; G06T 11/00; G06T 11/60; G06T 11/206
 See application file for complete search history.

- D738,410 S * 9/2015 Liu D15/122
 D740,863 S * 10/2015 Kemperle D15/122
 D745,069 S * 12/2015 Kemperle D15/122
 D749,154 S * 2/2016 Kemperle D15/122
 D759,737 S * 6/2016 Gramlich D15/122
 D766,998 S * 9/2016 Kao D15/122
 D777,227 S * 1/2017 Kao D15/122
 D781,357 S * 3/2017 Inaba D15/122
 D794,099 S * 8/2017 Gallo D15/122
 D796,974 S * 9/2017 Dallarosa D10/70
 D799,568 S * 10/2017 Cesar D15/122
 D801,401 S * 10/2017 Clark, III D15/122
 D809,574 S * 2/2018 Lin D15/122
 D810,156 S * 2/2018 Lin D15/135
 D815,159 S * 4/2018 Pagel D15/122
 D832,313 S * 10/2018 Chanclon D15/122
 D836,714 S * 12/2018 Clark, III D18/57
 D841,702 S * 2/2019 Moroni D15/122

* cited by examiner

Primary Examiner — Patricia A Palasik

(74) *Attorney, Agent, or Firm* — Scully Scott Murphy & Presser

(57) **CLAIM**

The ornamental design for instrument for preparing bio-ink, as shown and described.

DESCRIPTION

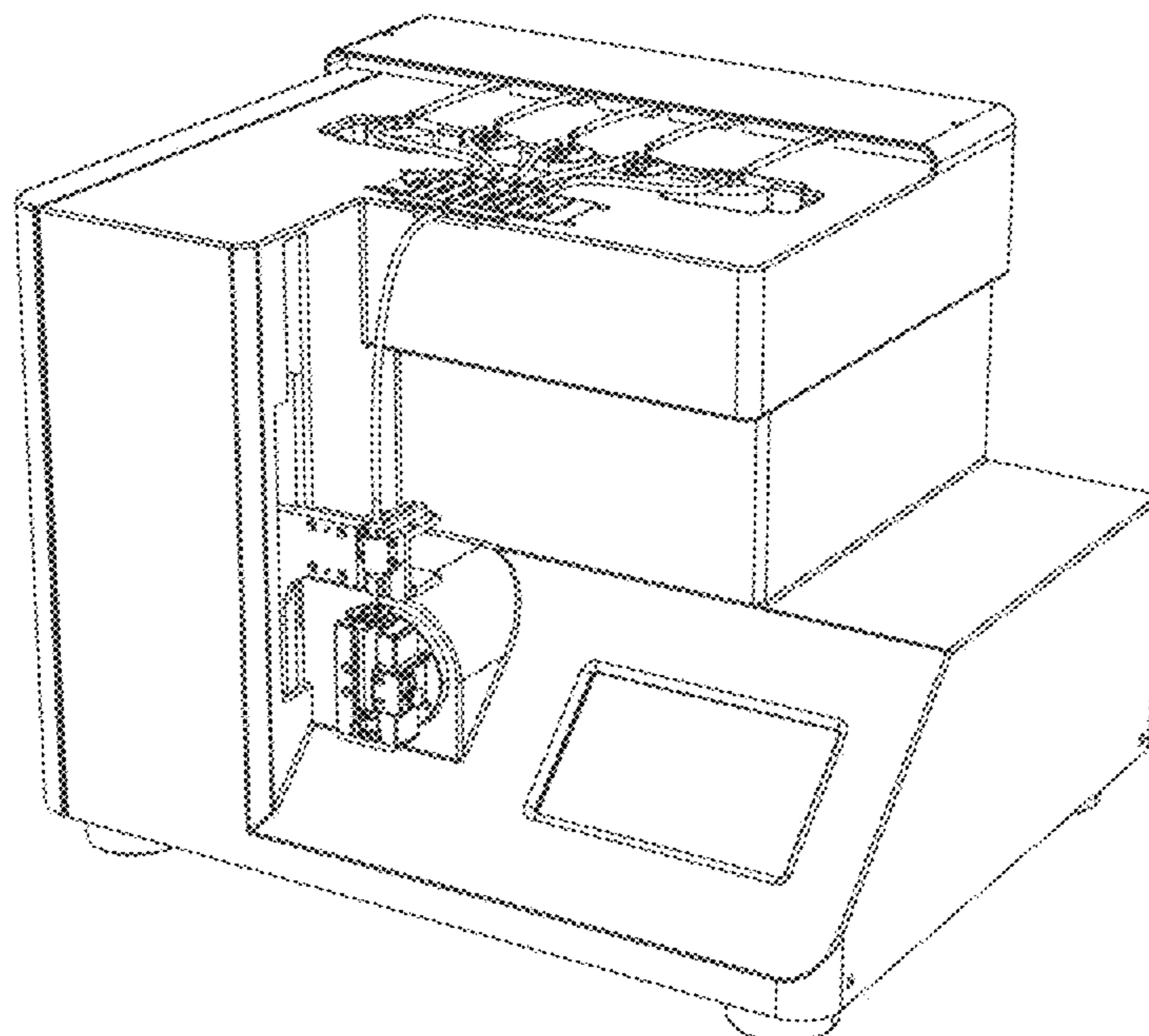
FIG. 1 is a perspective view of instrument for preparing bio-ink, showing our new design;
 FIG. 2 is a front elevation view thereof;
 FIG. 3 is a rear elevation view thereof;
 FIG. 4 is a side elevation view thereof;
 FIG. 5 is an opposite side elevation view thereof; and,
 FIG. 6 is a top plan view thereof.
 The broken lines depict portions of the instrument for preparing bio-ink that form no part of the claimed design.

1 Claim, 6 Drawing Sheets

(56) **References Cited**

U.S. PATENT DOCUMENTS

- D207,059 S * 2/1967 Regal D14/469
 D266,520 S * 10/1982 Engel D15/122
 D325,927 S * 5/1992 Fushiya D18/54
 5,939,008 A * 8/1999 Comb B33Y 10/00
 264/308
 D432,160 S * 10/2000 Kabumoto D18/37
 7,168,935 B1 * 1/2007 Taminger B23K 15/0073
 219/121.12
 8,252,223 B2 * 8/2012 Medina B33Y 70/00
 264/401
 D688,741 S * 8/2013 Joyce D18/50



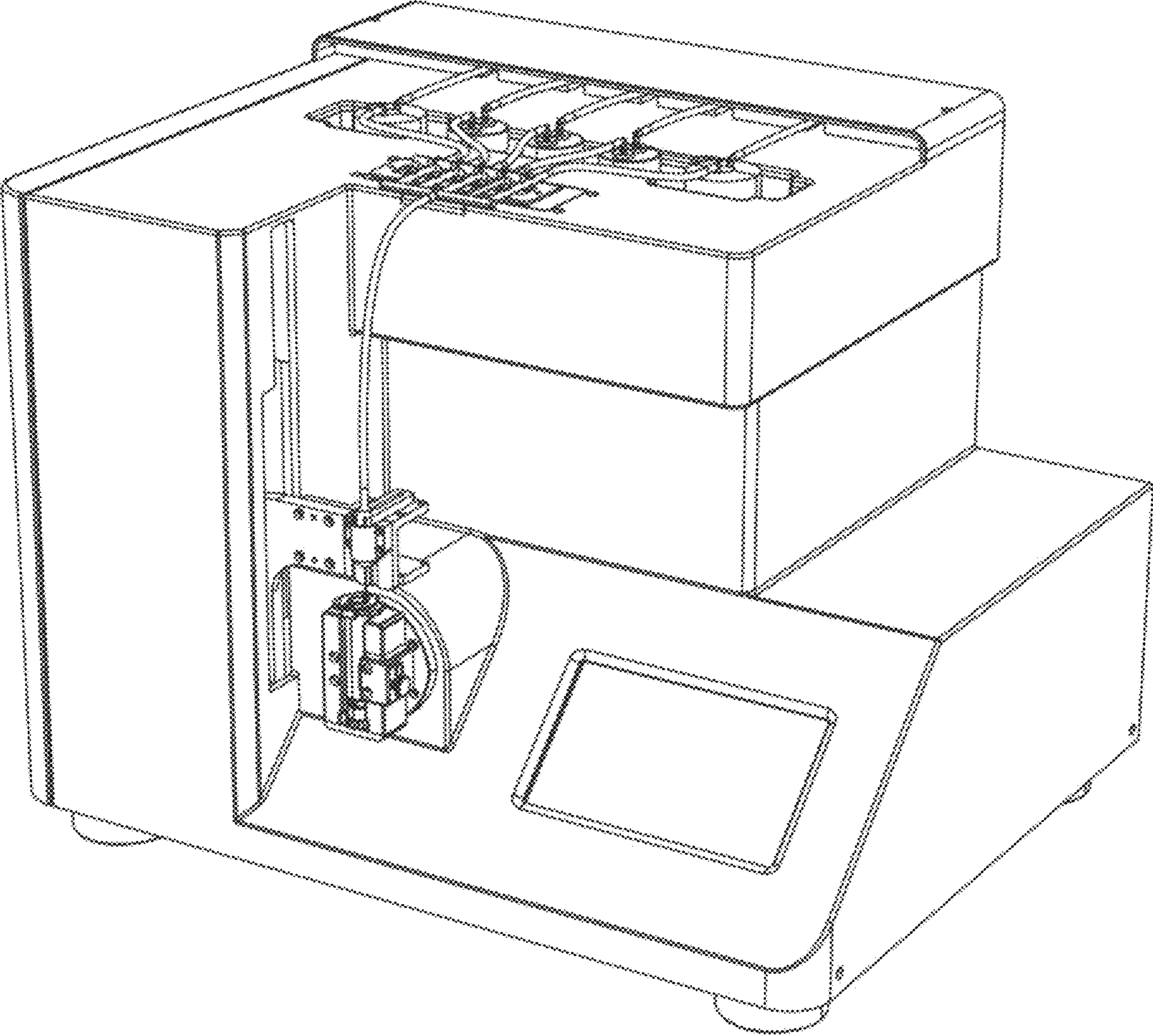


FIG. 1

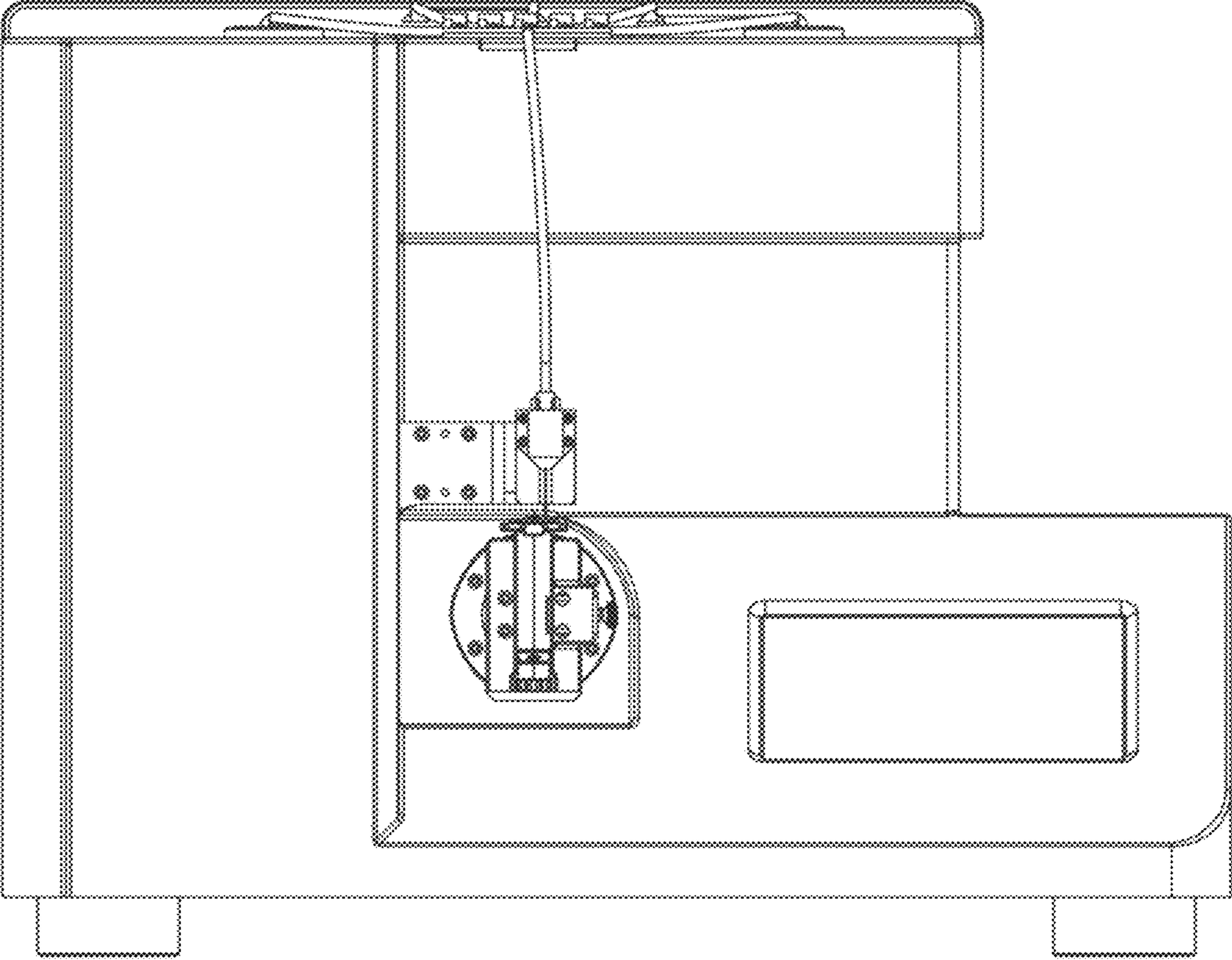


FIG. 2

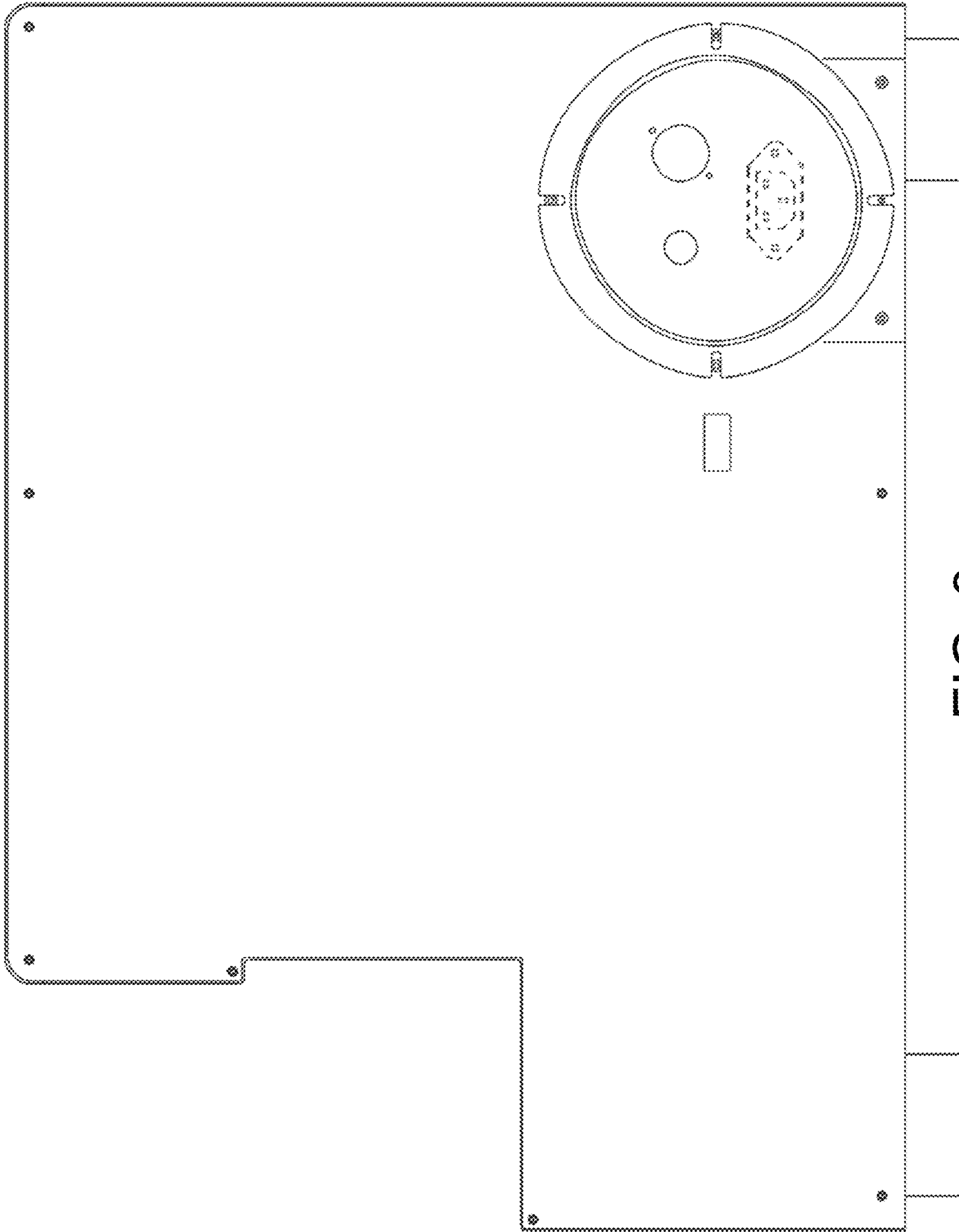


FIG. 3

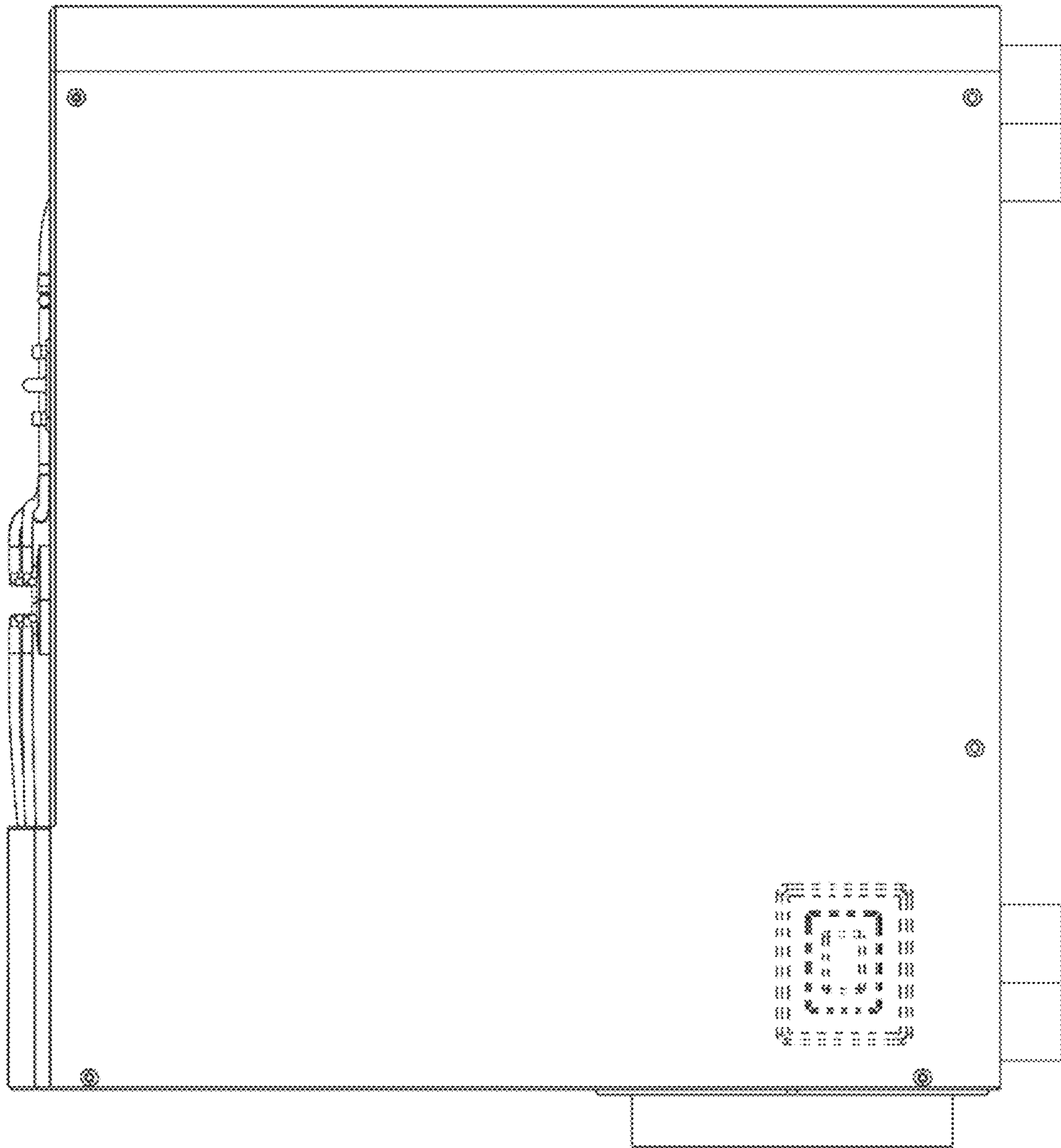


FIG. 4

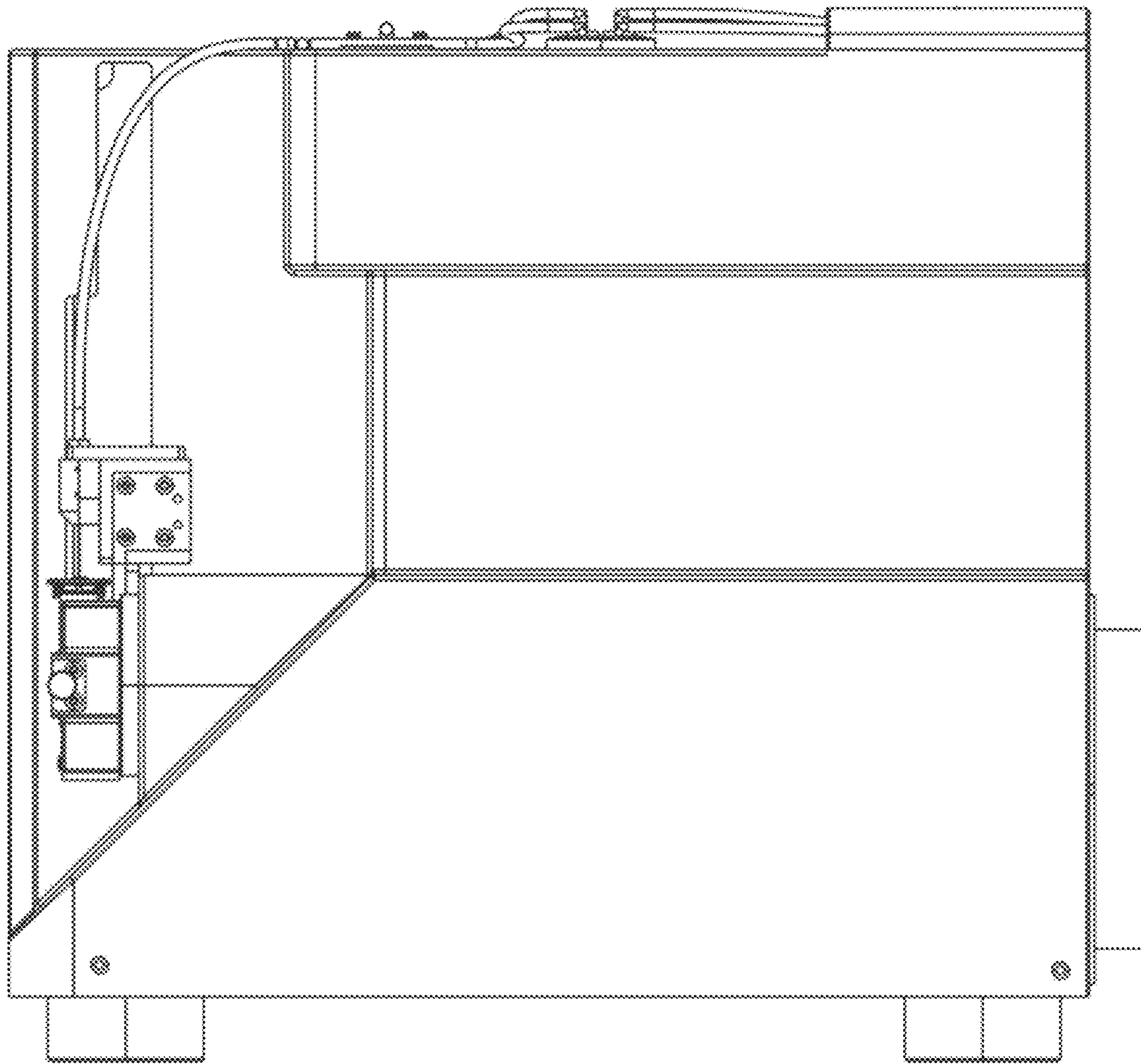


FIG. 5

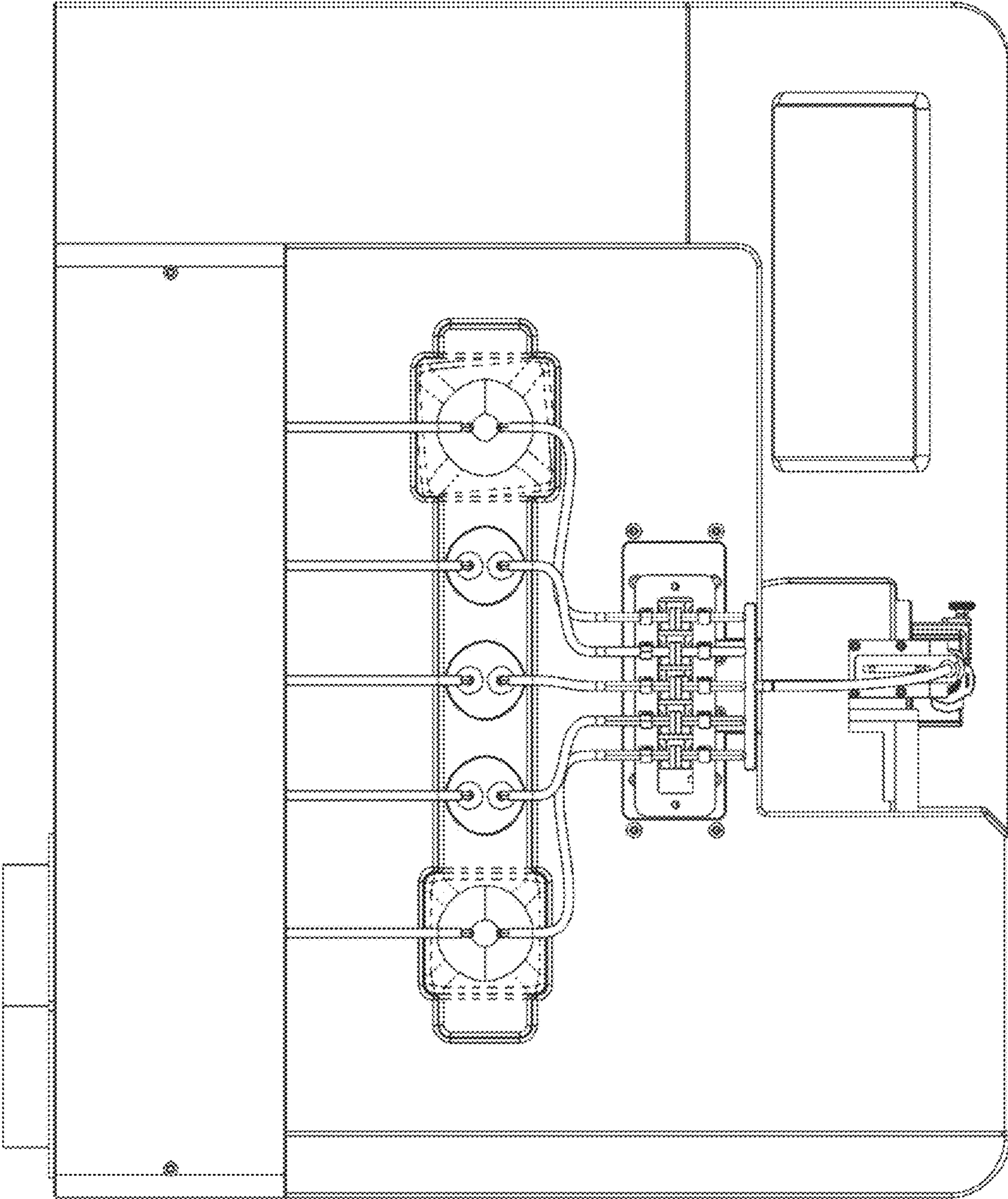


FIG. 6