



US00D870776S

(12) **United States Design Patent**
Zhang et al.

(10) **Patent No.:** **US D870,776 S**

(45) **Date of Patent:** **** Dec. 24, 2019**

(54) **COOLANT VALVE**

D691,638 S * 10/2013 Alexander D15/7
D699,762 S * 2/2014 Alexander D15/7
D768,208 S * 10/2016 Pademi D15/7

(71) Applicant: **Hangzhou Sanhua Research Institute Co., Ltd.**, Hangzhou, Zhejiang (CN)

(72) Inventors: **Yaoyao Zhang**, Zhejiang (CN); **Zhi Wu**, Zhejiang (CN); **Huayuan Jiang**, Zhejiang (CN); **Huipeng Lv**, Zhejiang (CN)

(73) Assignee: **Hangzhou Sanhua Research Institute Co., Ltd.**, Hangzhou, Zhejiang (CN)

(**) Term: **15 Years**

(21) Appl. No.: **29/631,101**

(22) Filed: **Dec. 27, 2017**

(30) **Foreign Application Priority Data**

Jun. 29, 2017 (CN) 2017 3 0280060

(51) **LOC (12) Cl.** **15-03**

(52) **U.S. Cl.**
USPC **D15/7**

(58) **Field of Classification Search**
USPC D15/7-9; D23/225, 231, 232
CPC F02M 37/04; F02M 37/14
See application file for complete search history.

(56) **References Cited**

U.S. PATENT DOCUMENTS

D536,005 S * 1/2007 Reverberi D15/5
D582,434 S * 12/2008 Turgut D15/7
D582,435 S * 12/2008 Turgut D15/7
D591,311 S * 4/2009 Tojo D15/7
D633,406 S * 3/2011 Magri D15/7

OTHER PUBLICATIONS

U.S. Appl. No. 29/631,087, filed Dec. 27, 2017, Lin et al.
U.S. Appl. No. 29/631,090, filed Dec. 27, 2017, Jiang et al.
U.S. Appl. No. 29/631,095, filed Dec. 27, 2017, Shentu et al.

* cited by examiner

Primary Examiner — Khawaja Anwar

(74) *Attorney, Agent, or Firm* — Wolf, Greenfield & Sacks, P.C.

(57) **CLAIM**

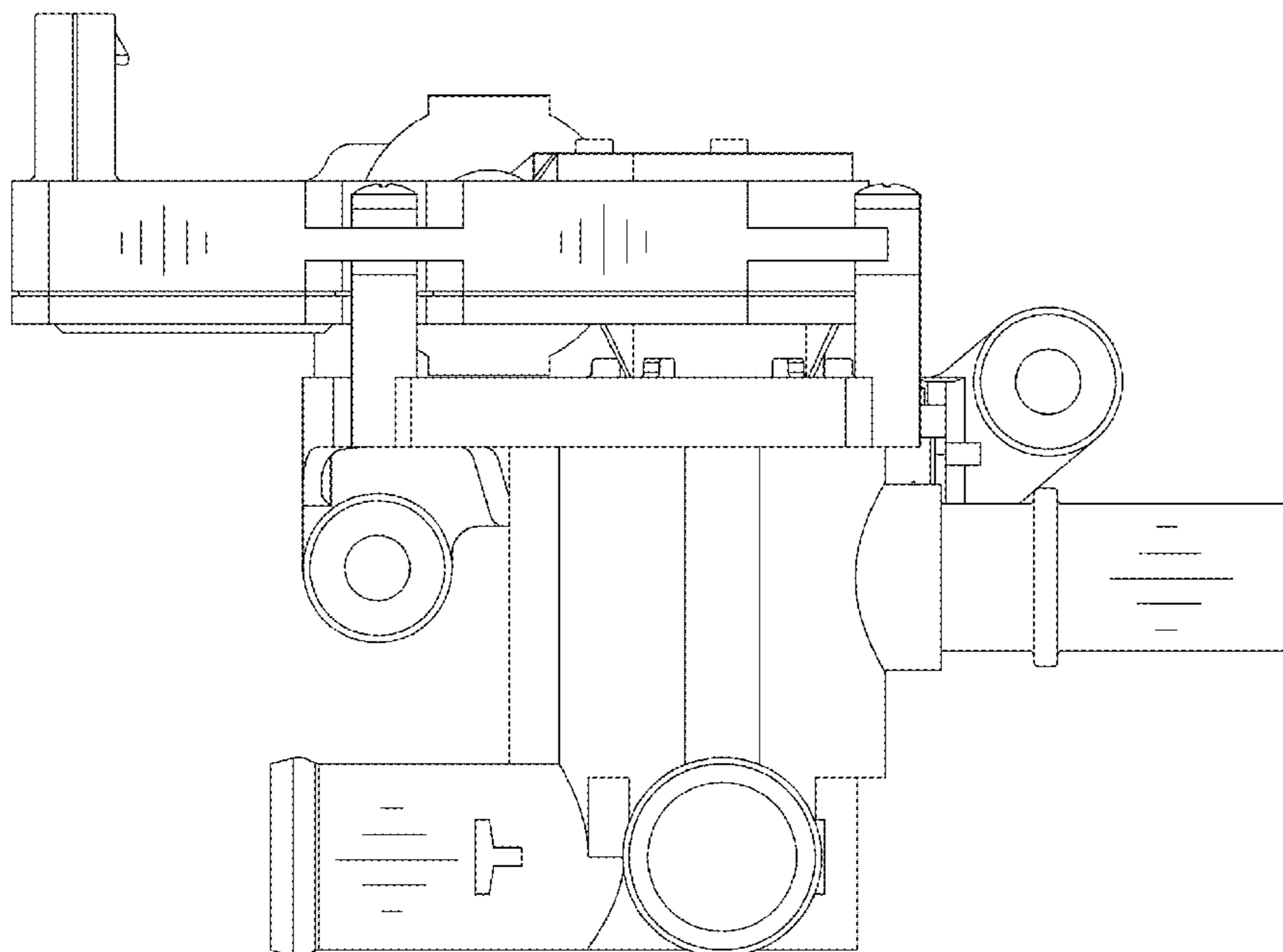
The ornamental design for a coolant valve, as shown and described.

DESCRIPTION

FIG. 1 is a front view of a coolant valve according to the present application;
FIG. 2 is a rear view of the coolant valve according to the present application;
FIG. 3 is a left view of the coolant valve according to the present application;
FIG. 4 is a right view of the coolant valve according to the present application;
FIG. 5 is a top view of the coolant valve according to the present application;
FIG. 6 is a bottom view of the coolant valve system according to the present application; and,
FIG. 7 is a perspective view of the coolant valve according to the present application.

The broken lines depict parts of the coolant valve that form no part of the claimed design.

1 Claim, 7 Drawing Sheets



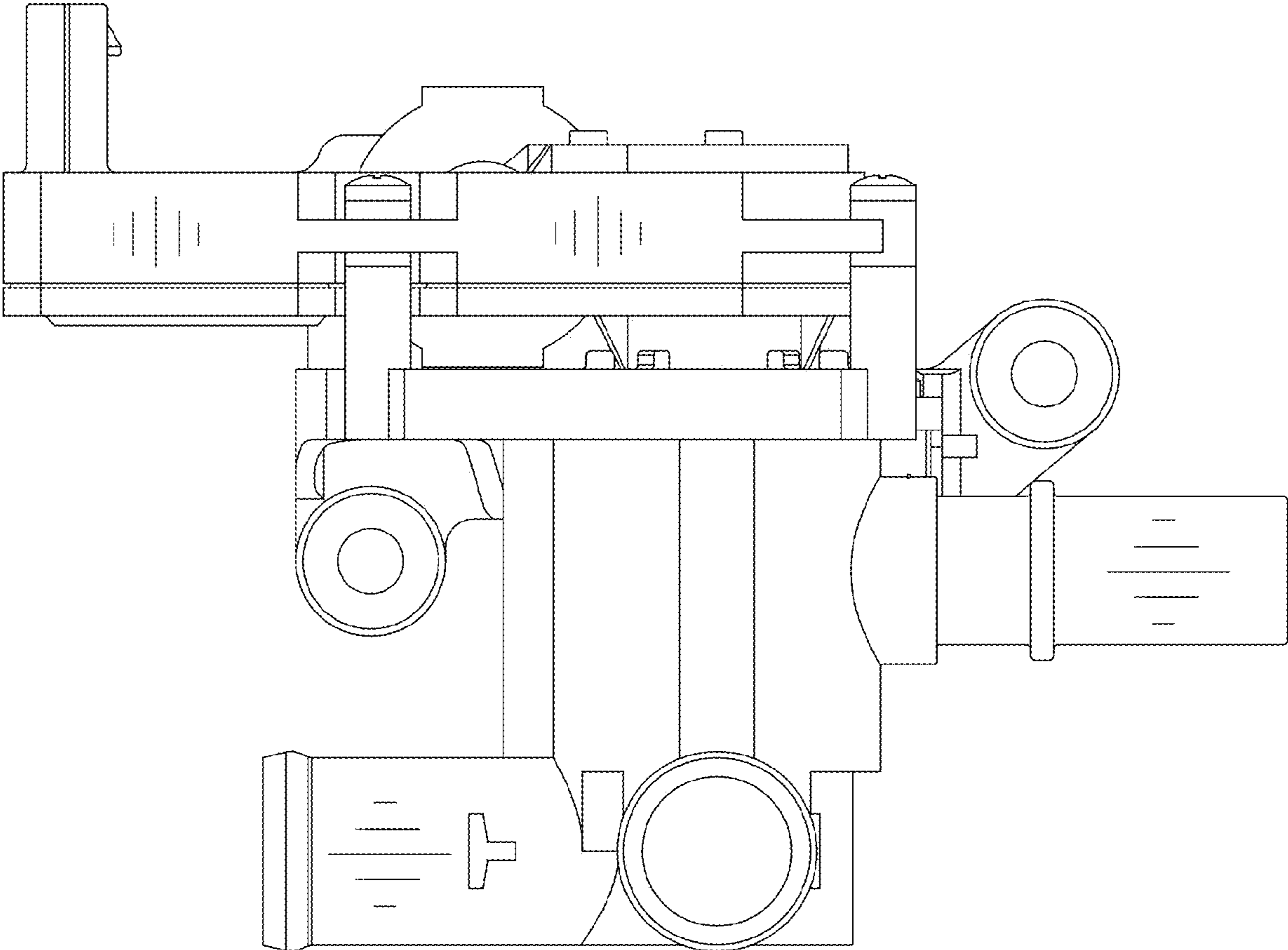


Fig. 1

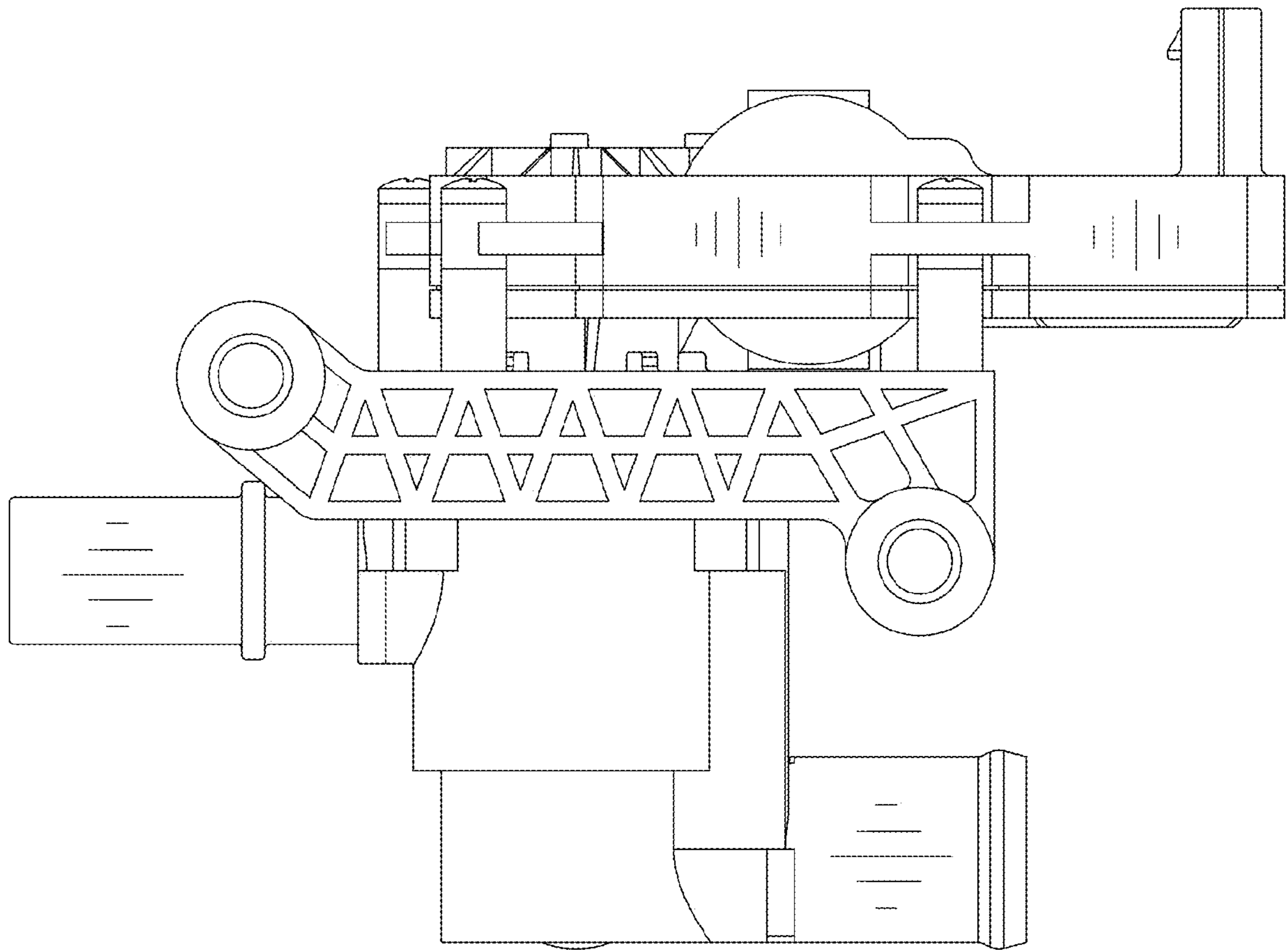


Fig. 2

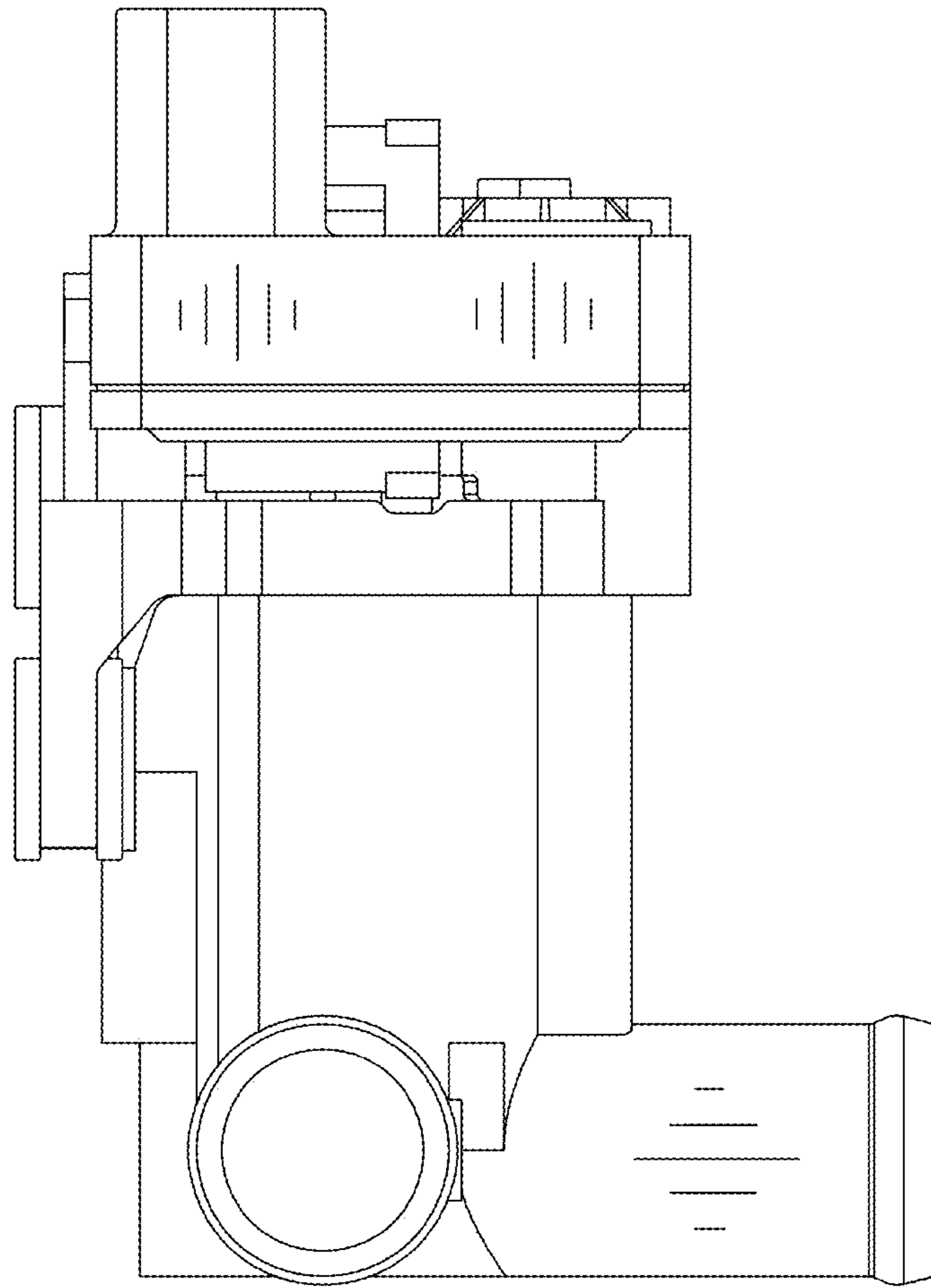


Fig. 3

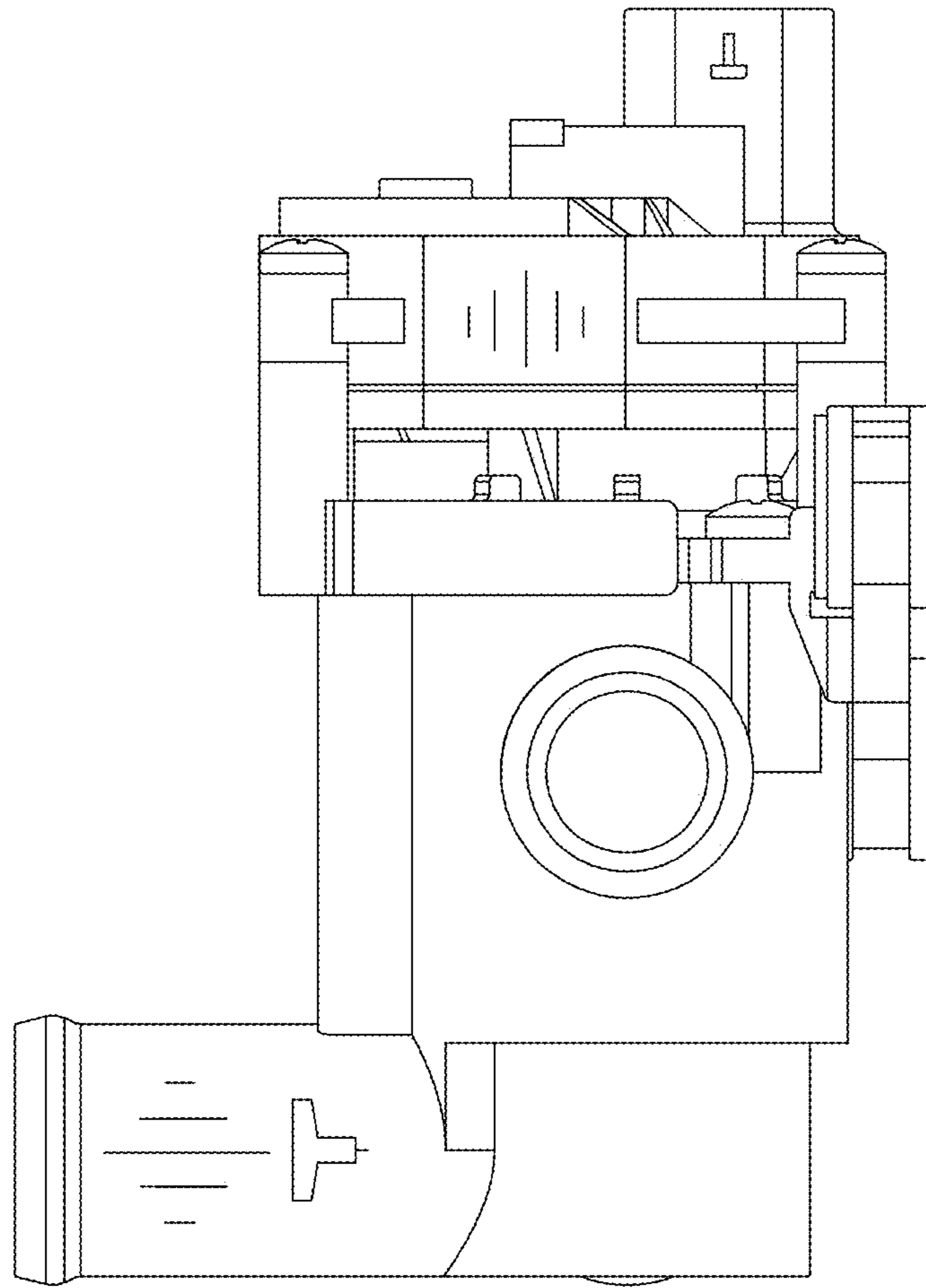


Fig. 4

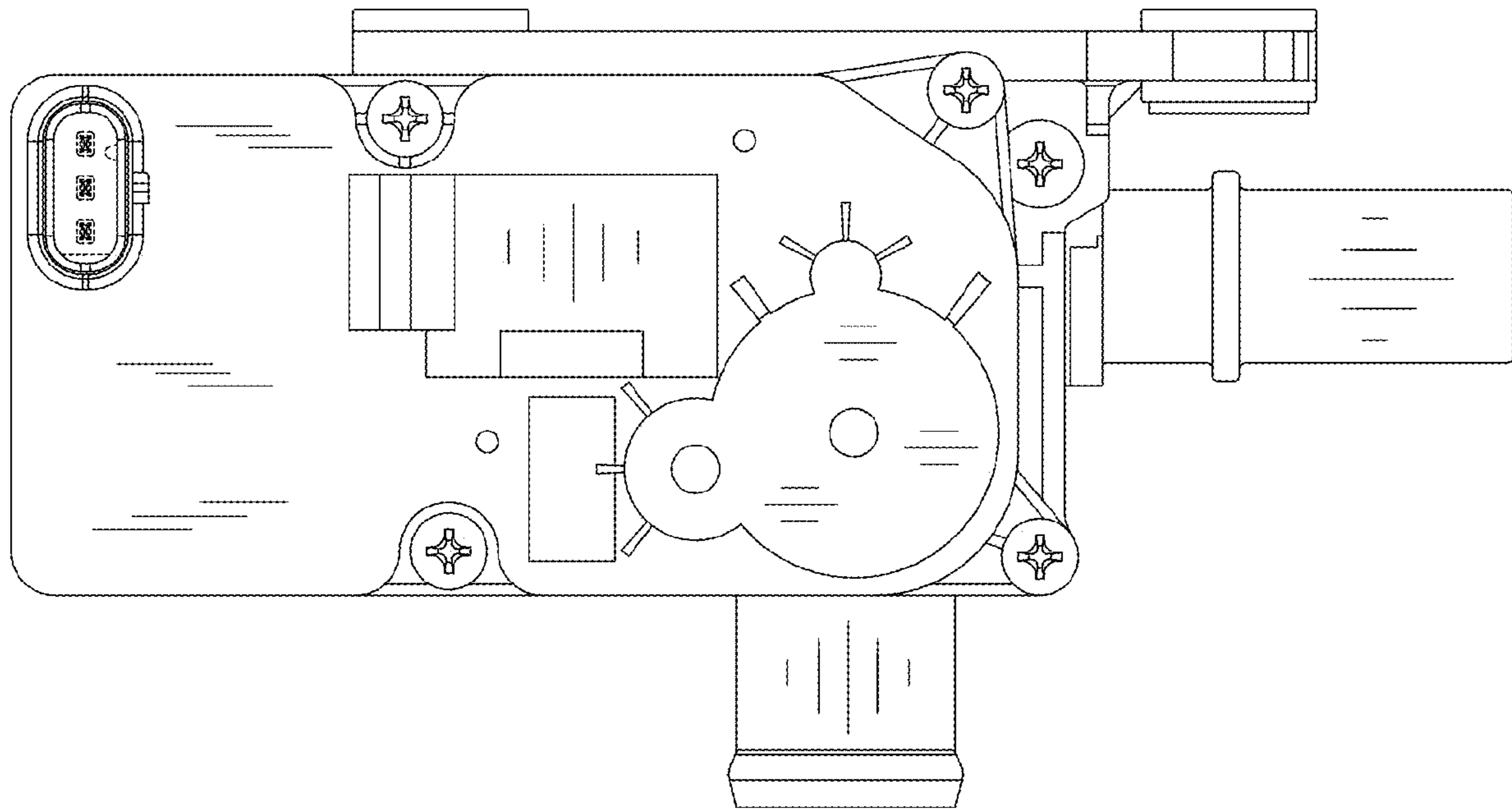


Fig. 5

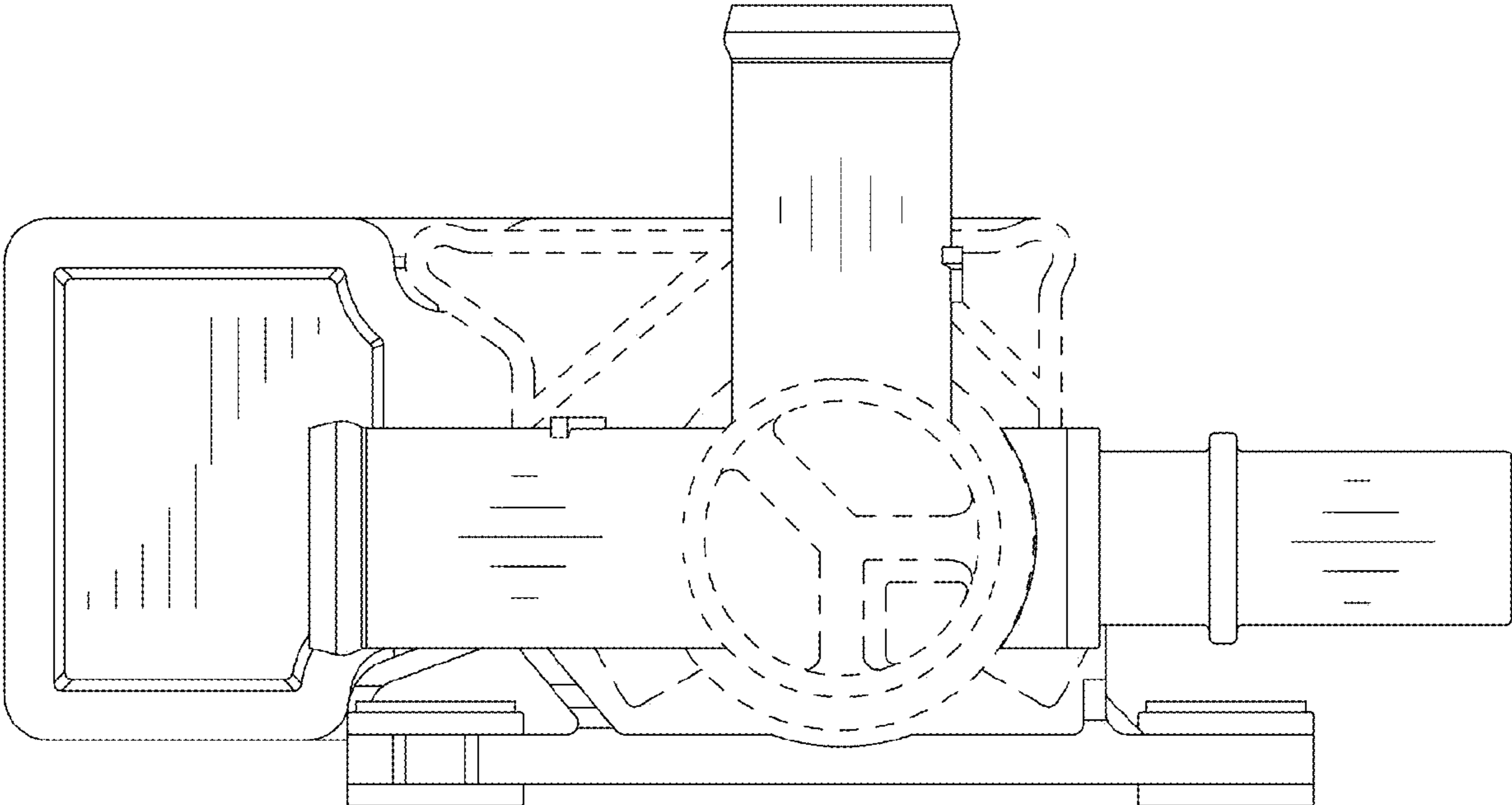


Fig. 6

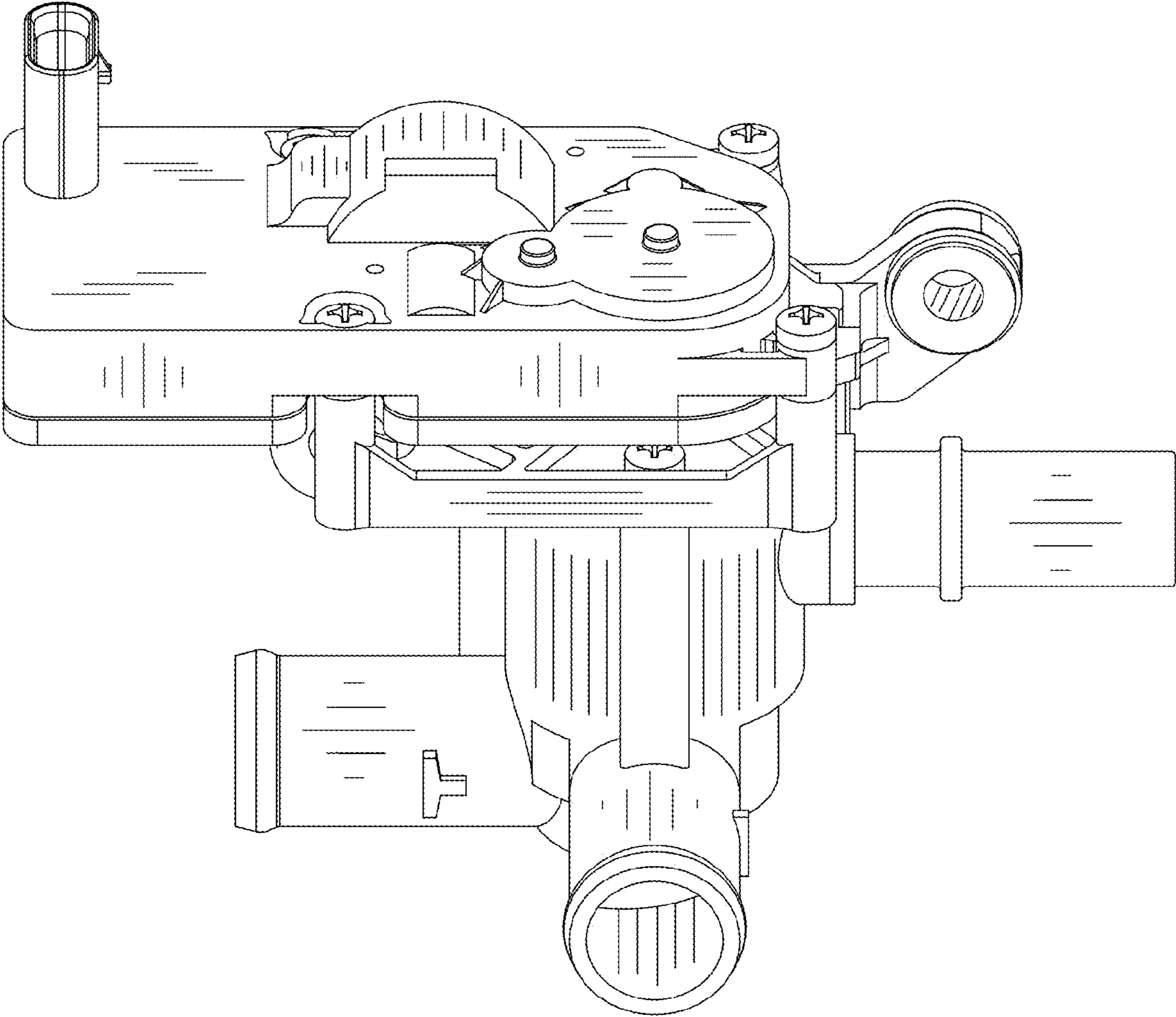


Fig. 7