



US00D870775S

(12) **United States Design Patent** (10) **Patent No.:** **US D870,775 S**
Walko, III (45) **Date of Patent:** **** Dec. 24, 2019**

- (54) **CENTRIFUGAL SEPARATOR**
- (71) Applicant: **Clean Diesel Development LLC,**
Saxonburg, PA (US)
- (72) Inventor: **John F. Walko, III,** Trafford, PA (US)
- (73) Assignee: **Clean Diesel Development LLC,**
Saxonburg, PA (US)
- (**) Term: **15 Years**
- (21) Appl. No.: **29/598,052**
- (22) Filed: **Mar. 22, 2017**
- (51) **LOC (12) Cl.** **15-01**
- (52) **U.S. Cl.**
USPC **D15/5; D15/147**
- (58) **Field of Classification Search**
USPC D13/123; D15/1-5, 9.1, 147, 148, 149;
D12/174, 177, 194, 206, 213, 216, 400
CPC . B01D 45/12; B04B 2005/125; F01N 3/0215;
F01N 3/0231; F01N 3/037; F01N 3/125
See application file for complete search history.

- D347,638 S * 6/1994 Benson D15/5
- D413,122 S * 8/1999 Chapman D15/5
- 6,896,720 B1 5/2005 Arnold et al.
- D525,890 S * 8/2006 Inagaki D10/81
- 7,266,943 B2 9/2007 Kammel
- D645,477 S * 9/2011 Duffek D15/5
- D645,882 S * 9/2011 Duffek D15/5
- D654,105 S * 2/2012 Schneider D15/147
- D658,695 S * 5/2012 Schneider D15/147
- D734,364 S * 7/2015 Blythe F01N 13/1816
D15/5
- 9,260,995 B2 2/2016 Patchett et al.
- D765,966 S * 9/2016 Dandachli D3/211
- D785,926 S * 5/2017 Dandachli D3/211
- D786,549 S * 5/2017 Dandachli D3/211
- D793,452 S * 8/2017 Regnier D15/5
- D807,024 S * 1/2018 Dandachli D3/211
- D829,770 S * 10/2018 Gasman D15/7
- D836,676 S * 12/2018 Geldenhuys D15/7

(Continued)

Primary Examiner — Michael C Stout
Assistant Examiner — Fritzgerald L Butac
(74) *Attorney, Agent, or Firm* — The Webb Law Firm

(57) **CLAIM**

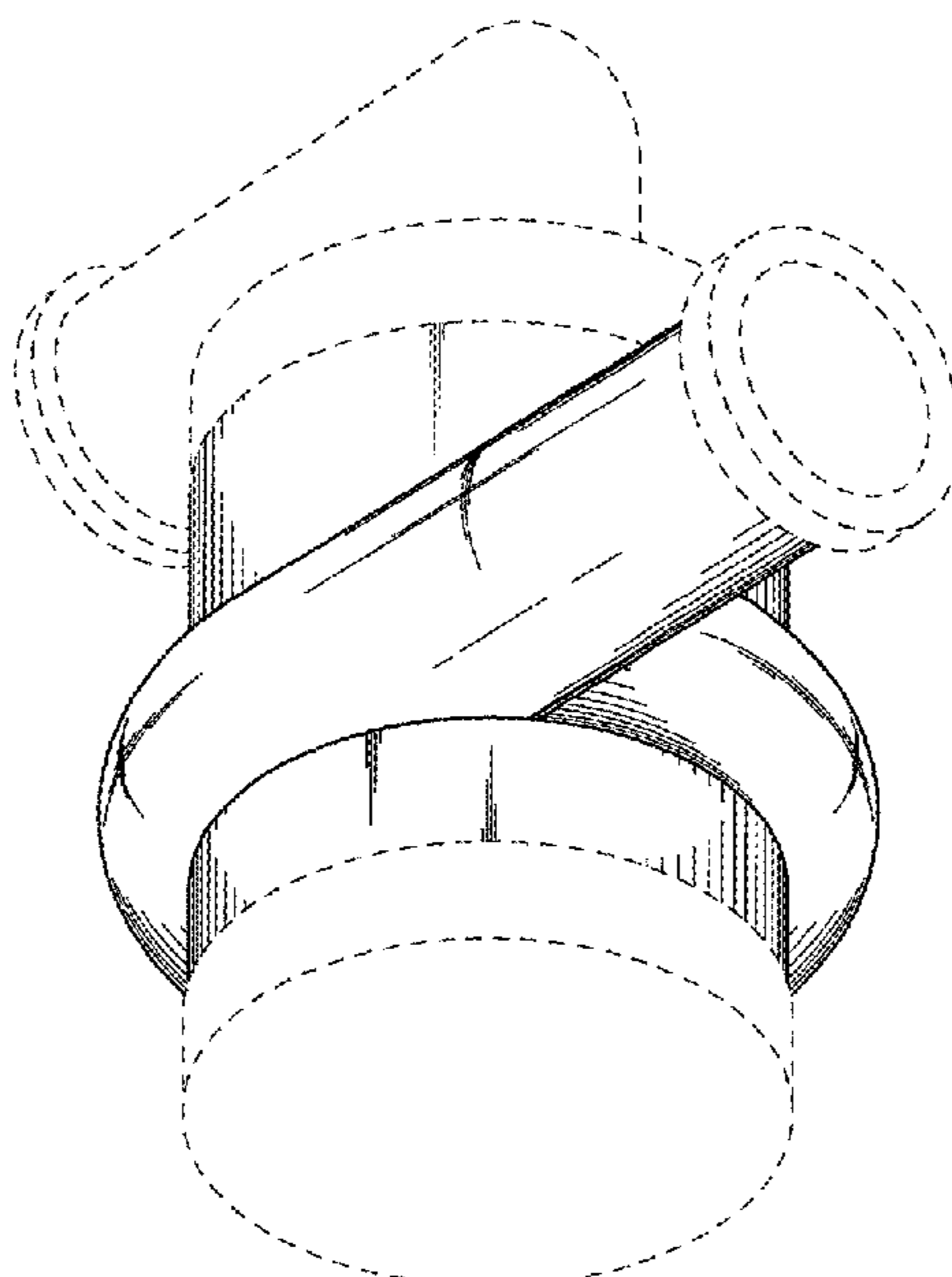
The ornamental design for a centrifugal separator, as shown and described.

DESCRIPTION

FIG. 1 is perspective view of a centrifugal separator;
FIG. 2 is a front view thereof;
FIG. 3 is a rear view thereof;
FIG. 4 is a right side view thereof;
FIG. 5 is a left side view thereof;
FIG. 6 is a bottom view thereof; and,
FIG. 7 is a top view thereof.
The broken lines are for the purpose of showing environmental structure and form no part of the claimed design.

1 Claim, 6 Drawing Sheets

- (56) **References Cited**
U.S. PATENT DOCUMENTS
- 2,792,909 A * 5/1957 Court F01N 3/005
422/177
- 3,056,662 A 10/1962 Ridgway
- 3,130,157 A 4/1964 Kelsall et al.
- 3,391,787 A 7/1968 Salomon
- 3,564,843 A 2/1971 Hirschler, Jr. et al.
- 3,815,337 A 6/1974 Lenane
- 3,969,096 A 7/1976 Richard
- 4,279,743 A 7/1981 Miller
- 4,989,408 A 2/1991 Leonhard et al.
- D316,418 S * 4/1991 Benson D15/5
- 5,102,431 A 4/1992 Barry
- D335,294 S * 5/1993 Vallien D15/147



(56)

References Cited

U.S. PATENT DOCUMENTS

2014/0305311 A1* 10/2014 Nakamura B04C 5/14
96/228
2018/0274414 A1* 9/2018 Walko, III F01N 3/037

* cited by examiner

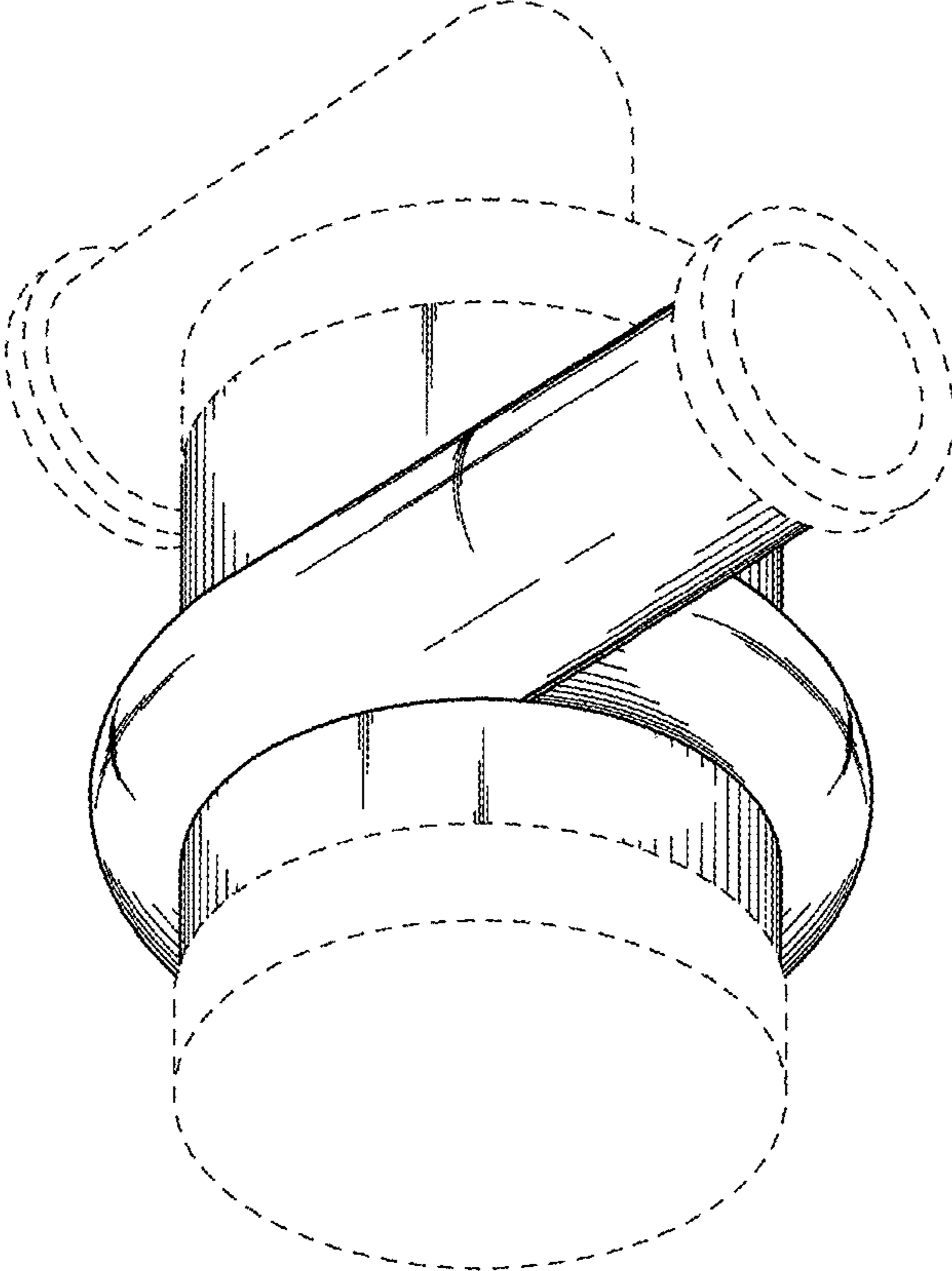


FIG. 1

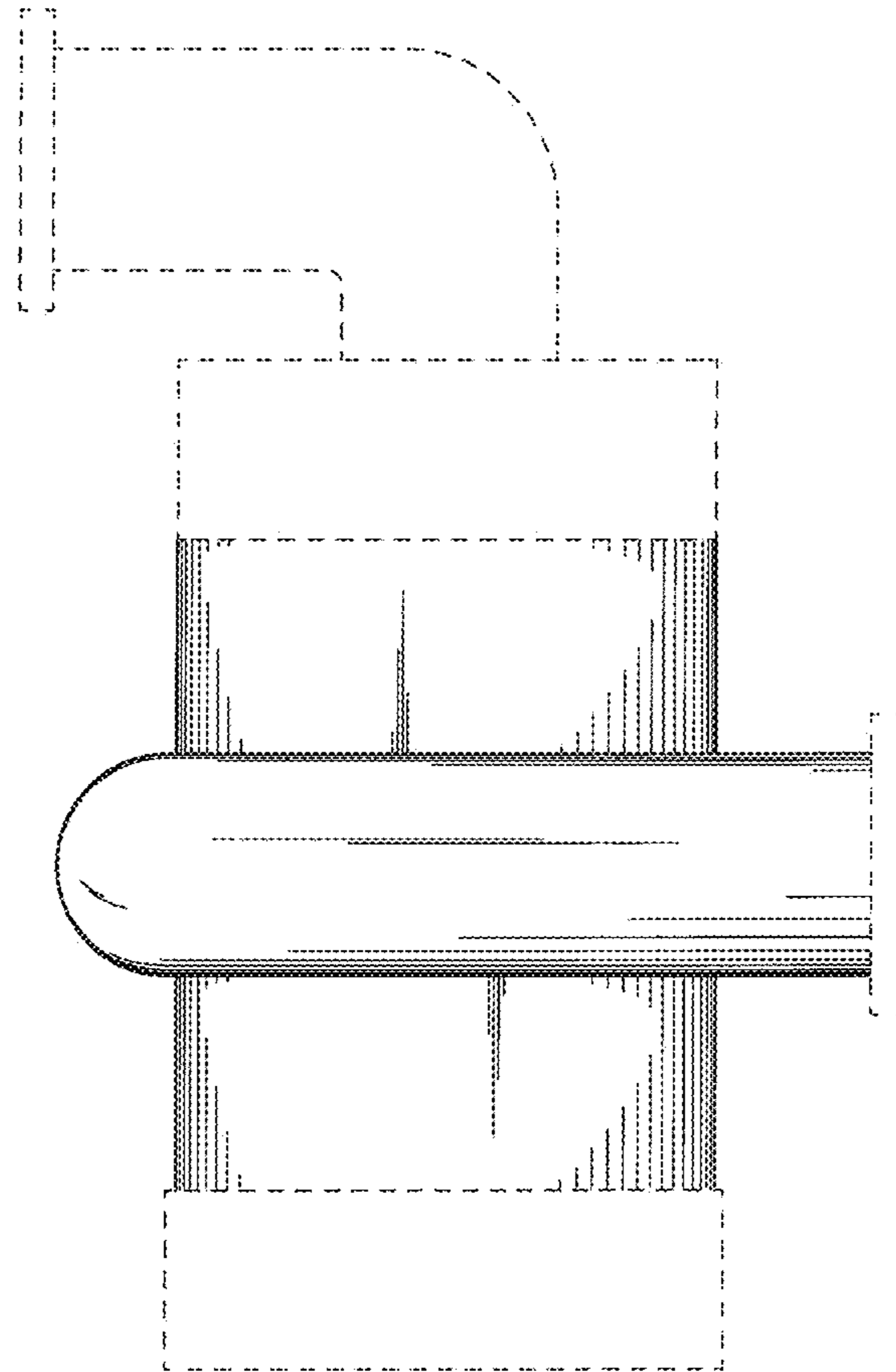


FIG. 2

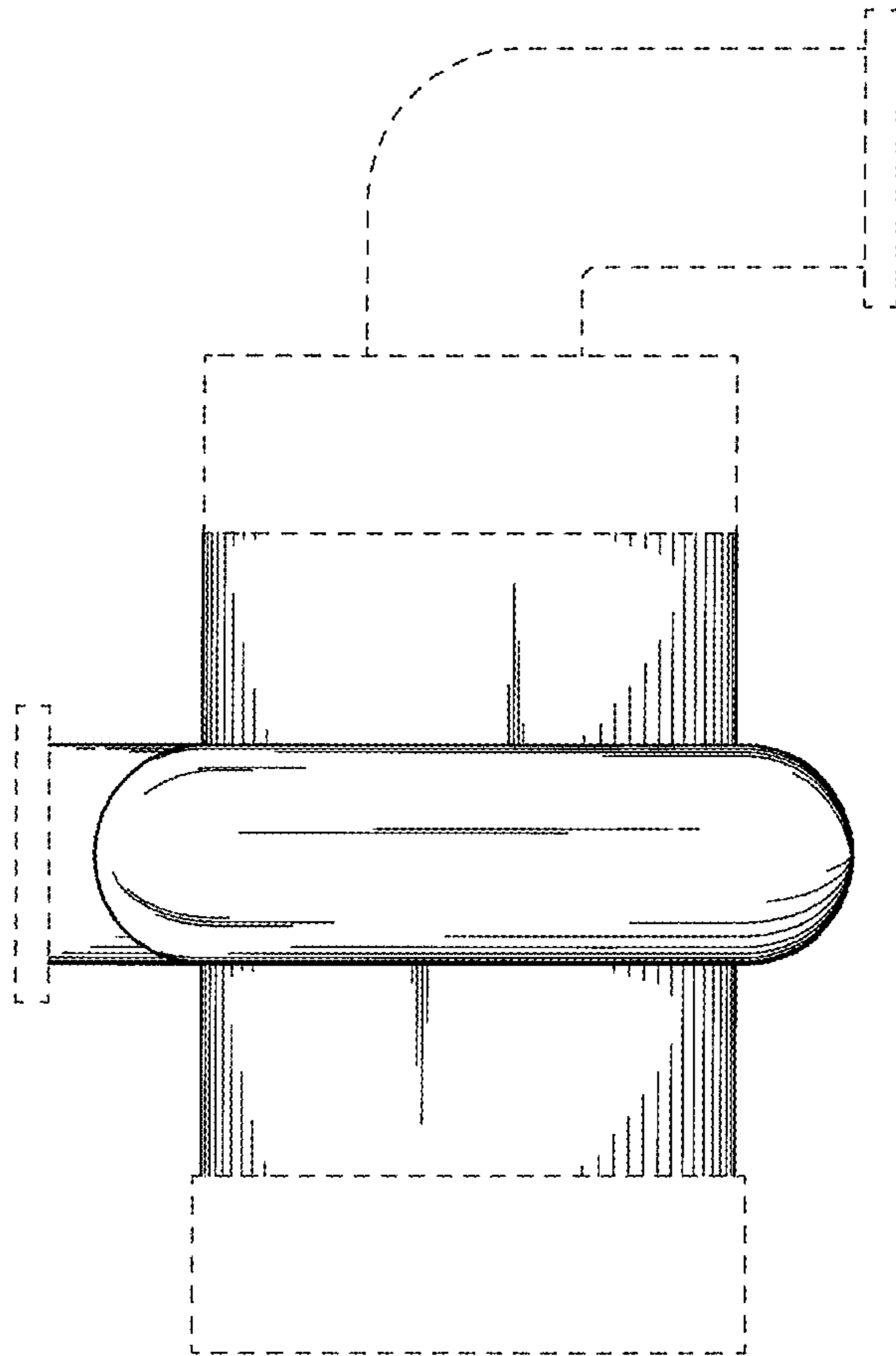


FIG. 3

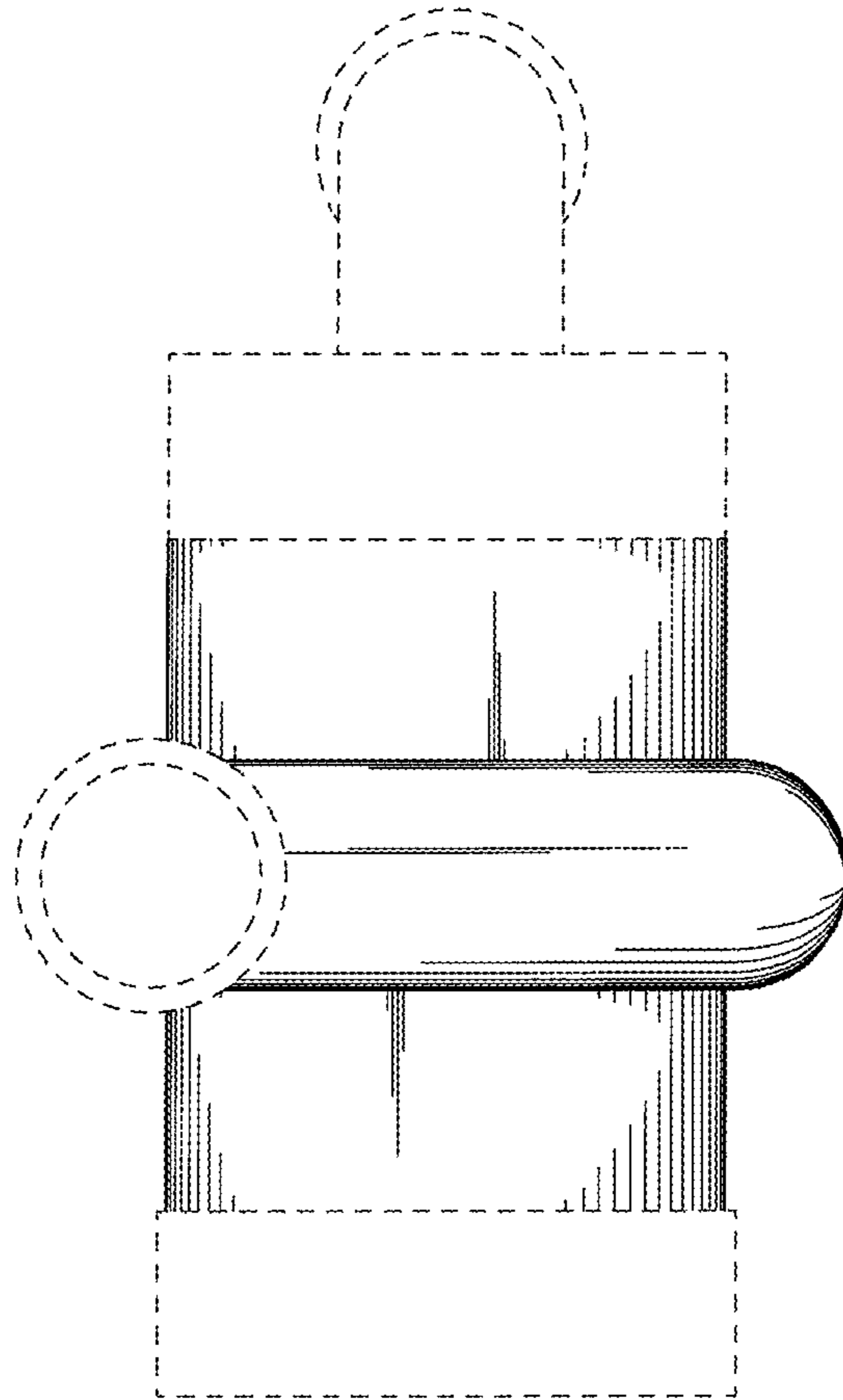


FIG. 4

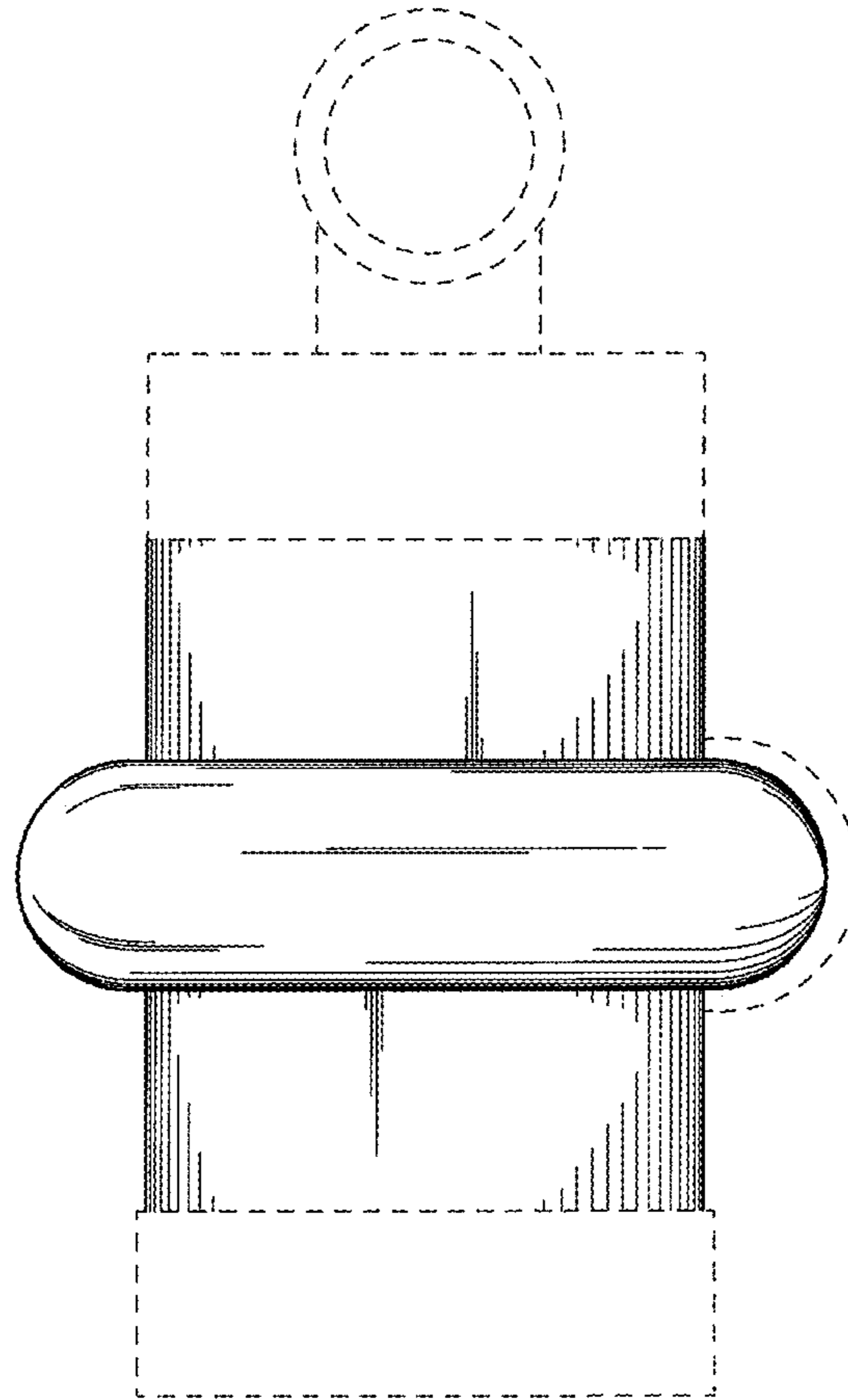


FIG. 5

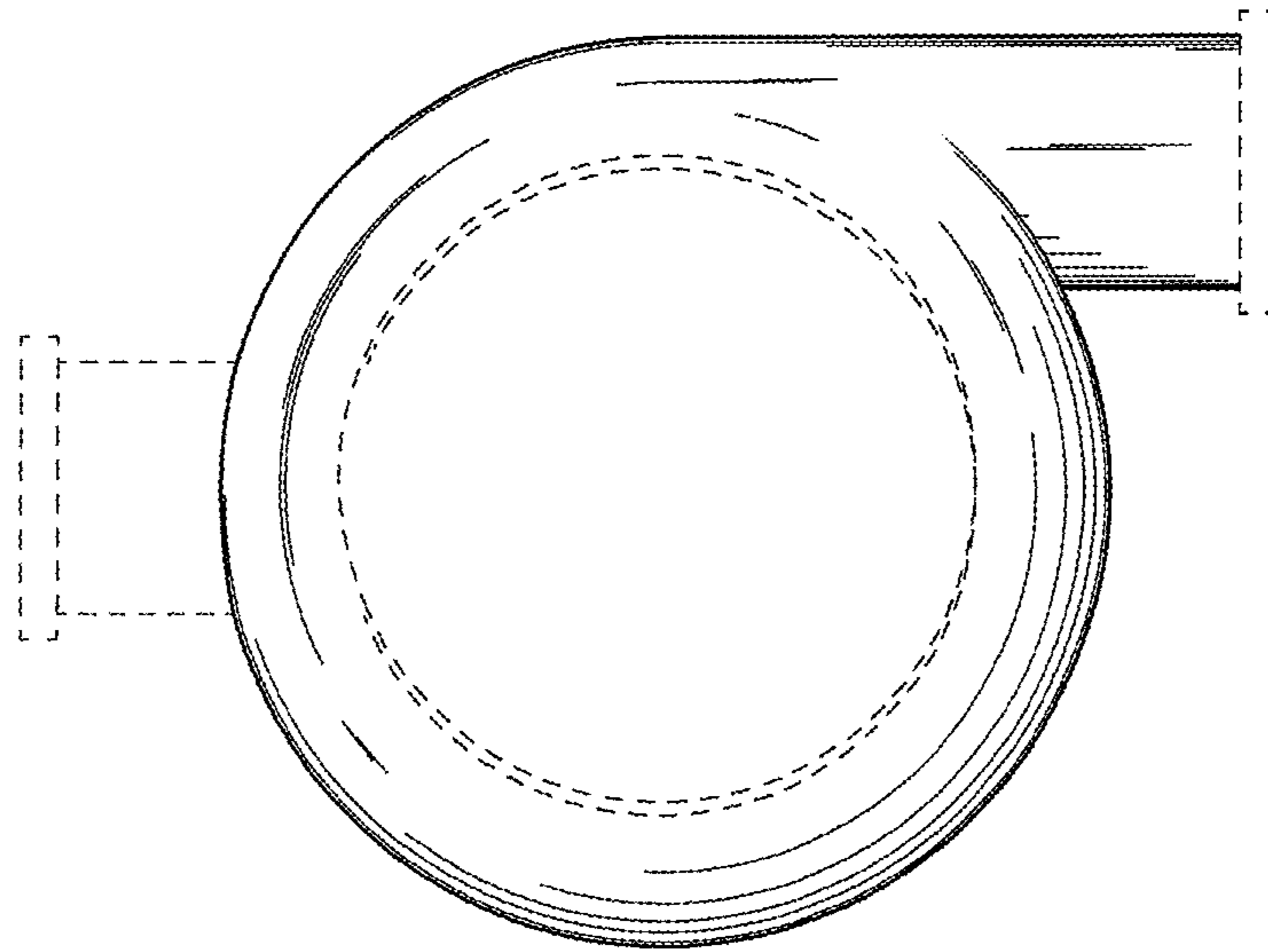


FIG. 6

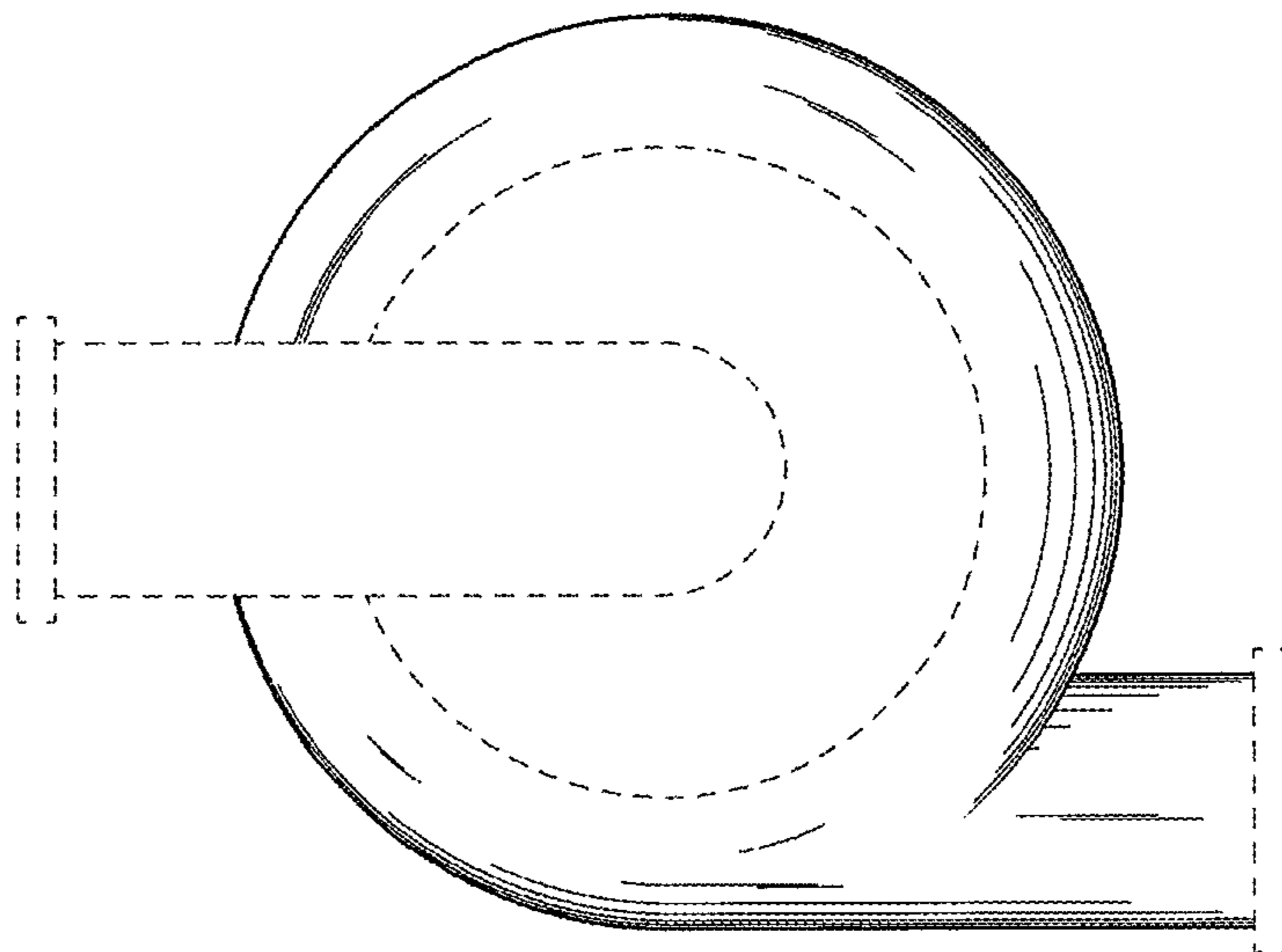


FIG. 7