

US00D870772S

(12) **United States Design Patent** (10) **Patent No.:** **US D870,772 S**
Seong et al. (45) **Date of Patent:** **** Dec. 24, 2019**

(54) **DISPLAY SCREEN OR PORTION THEREOF WITH TRANSITIONAL GRAPHICAL USER INTERFACE**

Primary Examiner — Darlington Ly
Assistant Examiner — Katherine A Holbrow
(74) *Attorney, Agent, or Firm* — Cantor Colburn LLP

(71) Applicant: **SAMSUNG ELECTRONICS CO., LTD.**, Suwon-si (KR)
(72) Inventors: **Ju-Hyun Seong**, Seoul (KR); **A-Hyeon Shim**, Ahnyang-si (KR); **Seung-Min Lee**, Gwacheon-si (KR); **Hee-Jin Ko**, Bucheon-si (KR); **Yoo-Jin Choi**, Seoul (KR)

(57) **CLAIM**

The ornamental design for a display screen or portion thereof with transitional graphical user interface, as shown and described.

(73) Assignee: **SAMSUNG ELECTRONICS CO., LTD.**, Gyeonggi-Do (KR)

DESCRIPTION

(**) Term: **15 Years**
(21) Appl. No.: **29/654,898**
(22) Filed: **Jun. 28, 2018**
(30) **Foreign Application Priority Data**
Jan. 8, 2018 (KR) 30-2018-0001279
(51) **LOC (12) Cl.** **14-04**
(52) **U.S. Cl.**
USPC **D14/489**; D14/492
(58) **Field of Classification Search**
USPC D14/485–495
CPC .. G06F 3/0481; G06F 3/0482; G06F 3/04842;
G06F 3/0488; G06F 3/04817; G06F
17/30053; G06T 2200/24; G10H 1/0008;
G06Q 10/063114; H04N 1/00477; H04N
21/4781; G11B 27/34
See application file for complete search history.

FIG. 1 is a front view of the first image in a sequence for a display screen or portion thereof with transitional graphical user interface, showing our new design;
FIG. 2 is a front view of the second image thereof;
FIG. 3 is a front view of the third image thereof;
FIG. 4 is a front view of the fourth image thereof;
FIG. 5 is a front view of the fifth image thereof;
FIG. 6 is an enlarged view of the claimed portion thereof in FIG. 1;
FIG. 7 is an enlarged view of the claimed portion thereof in FIG. 2;
FIG. 8 is an enlarged view of the claimed portion thereof in FIG. 3;
FIG. 9 is an enlarged view of the claimed portion thereof in FIG. 4; and,
FIG. 10 is an enlarged view of the claimed portion thereof in FIG. 5.

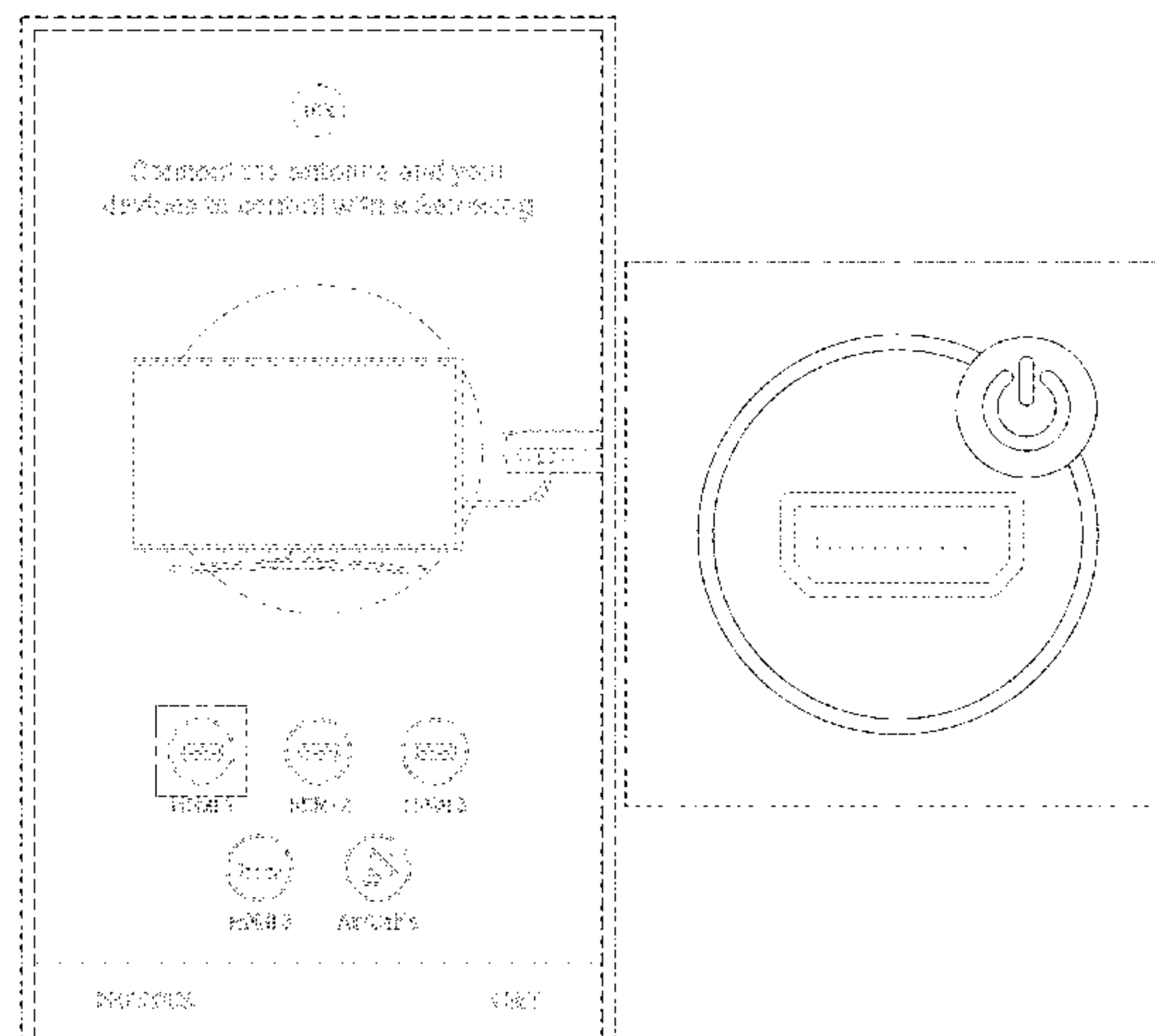
The outer perimeter illustrated by a pair of dashed broken lines represents a display screen or portion thereof and forms no part of the claimed design. All other dashed broken lines illustrate portions of the graphical user interface and form no part of the claimed design.

The appearance of the transitional graphical user interface sequentially transitions between the images shown in FIGS. 1-5 and FIGS. 6-10. The process or period in which one image transitions to another forms no part of the claimed design.

(56) **References Cited**
U.S. PATENT DOCUMENTS
D591,305 S * 4/2009 Shimoda D14/485
D684,185 S * 6/2013 van Dongen D14/489
D744,502 S * 12/2015 Wilberding D14/485
D766,271 S * 9/2016 Lau D14/485

(Continued)

1 Claim, 10 Drawing Sheets



(56)

References Cited

U.S. PATENT DOCUMENTS

D767,586 S *	9/2016	Kwon	D14/485
D772,930 S *	11/2016	Vazquez	D14/489
D783,672 S *	4/2017	Rajasankar	D14/488
D784,402 S *	4/2017	Luo	D14/488
D786,278 S *	5/2017	Motamedi	D14/485
D806,116 S *	12/2017	Springer	D14/489
D816,090 S *	4/2018	Stonecipher	D14/485
D826,957 S *	8/2018	Pillalamarri	D14/485
D830,384 S *	10/2018	Lepine	D14/486
D838,731 S *	1/2019	Pillalamarri	D14/485
2015/0169505 A1 *	6/2015	Kim	G06F 3/0484 715/269
2016/0098154 A1 *	4/2016	Ko	G06F 3/0481 345/173

* cited by examiner

FIG. 1

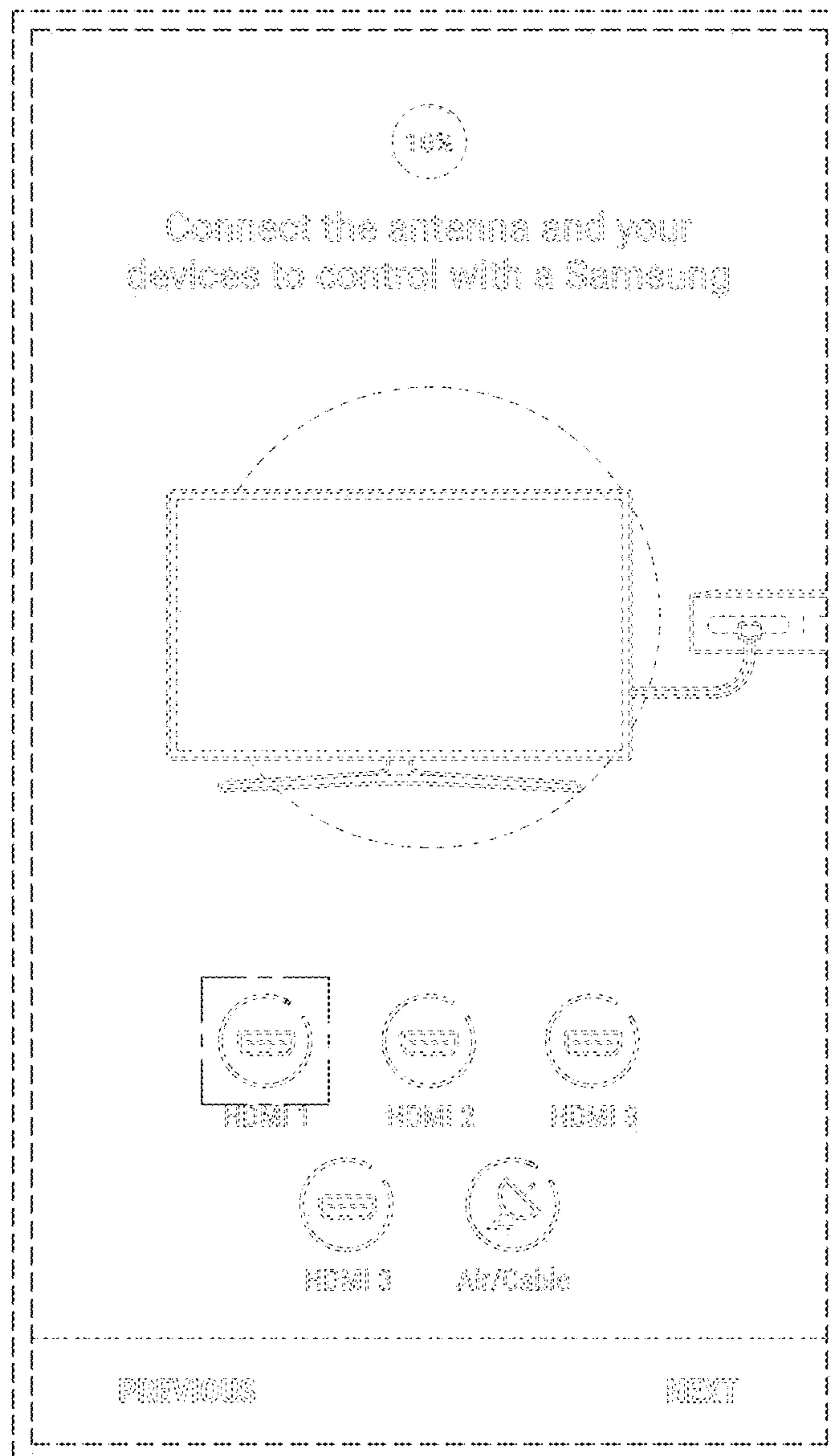


FIG. 2

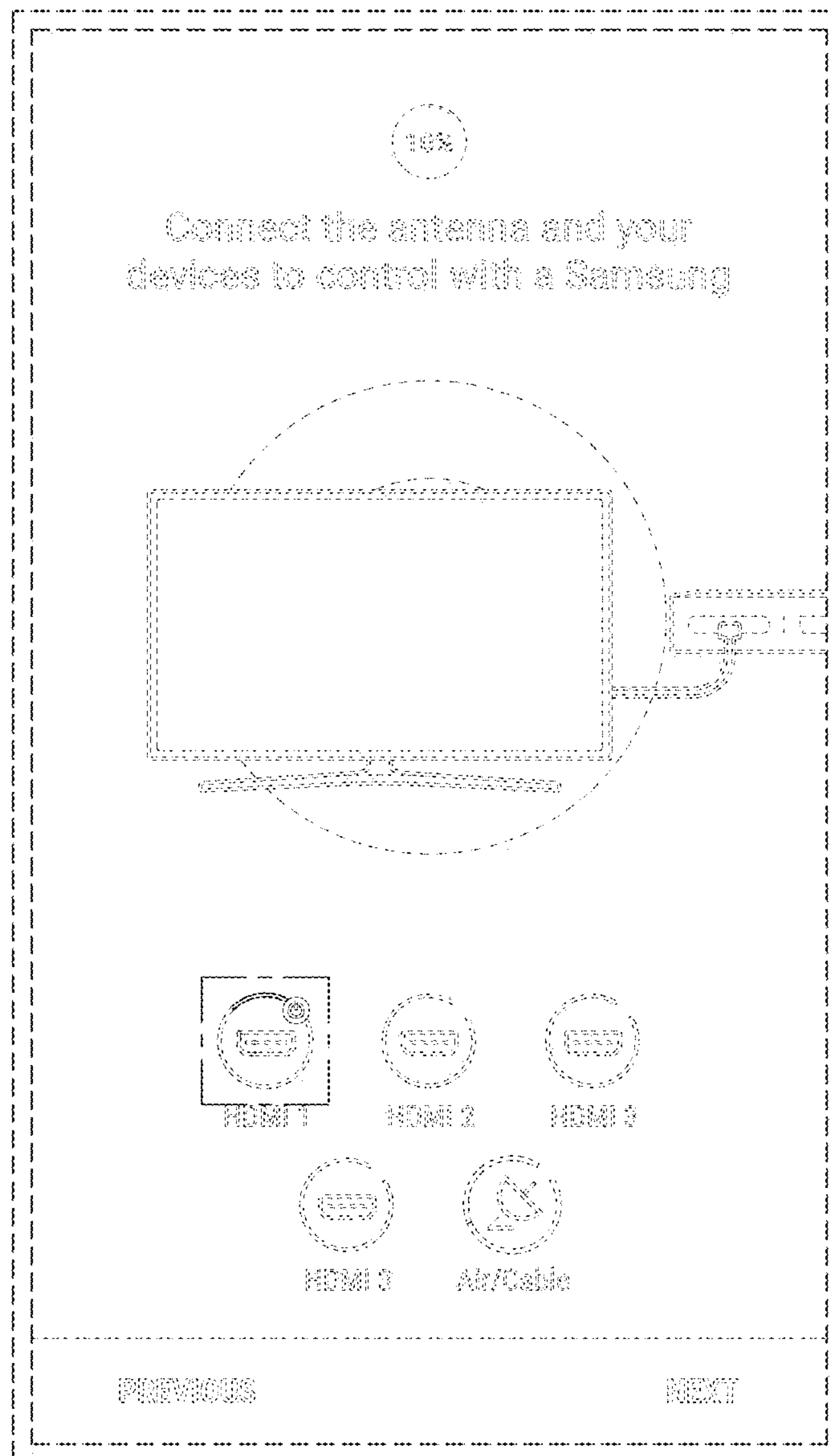


FIG. 3

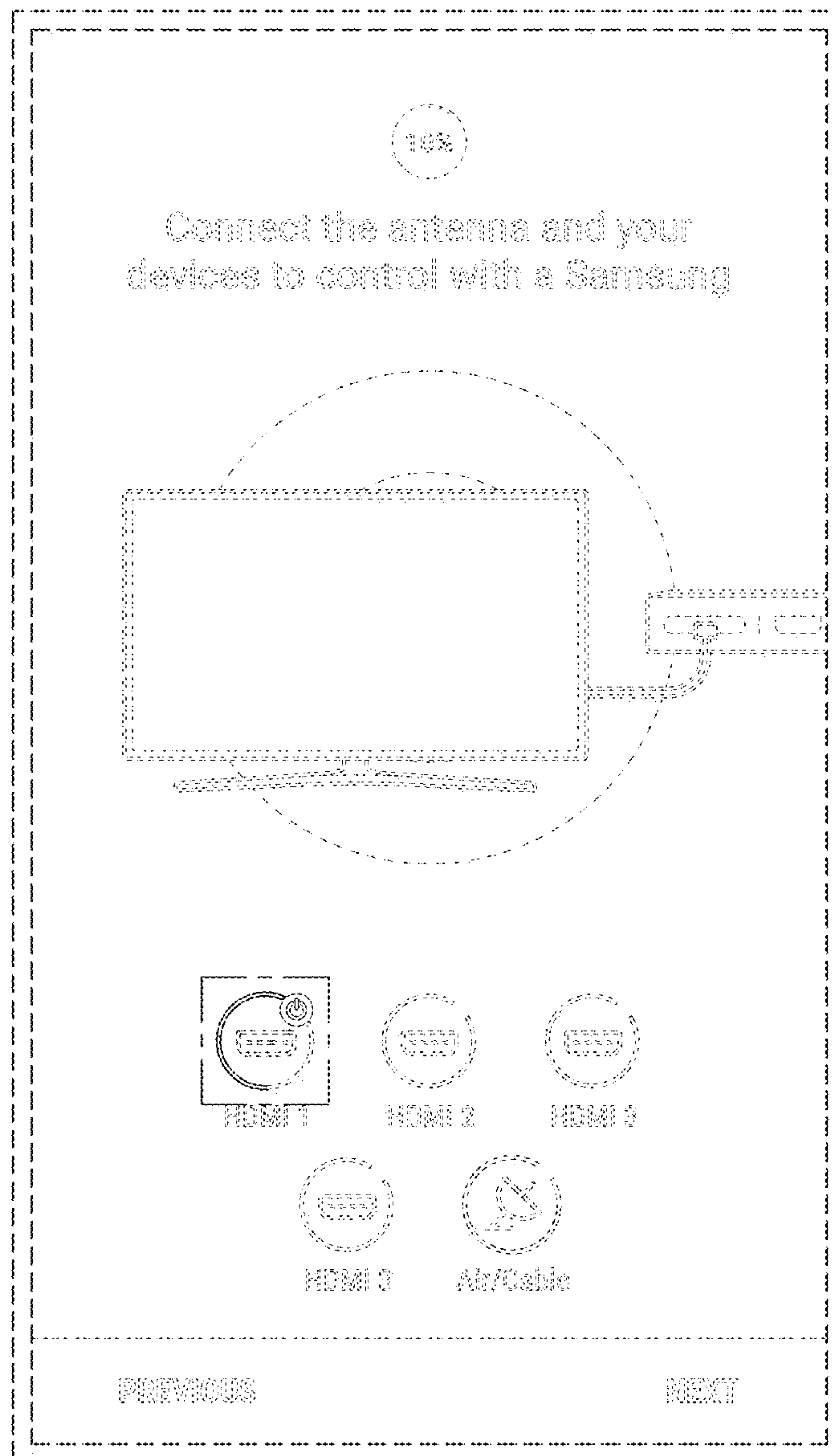


FIG. 4

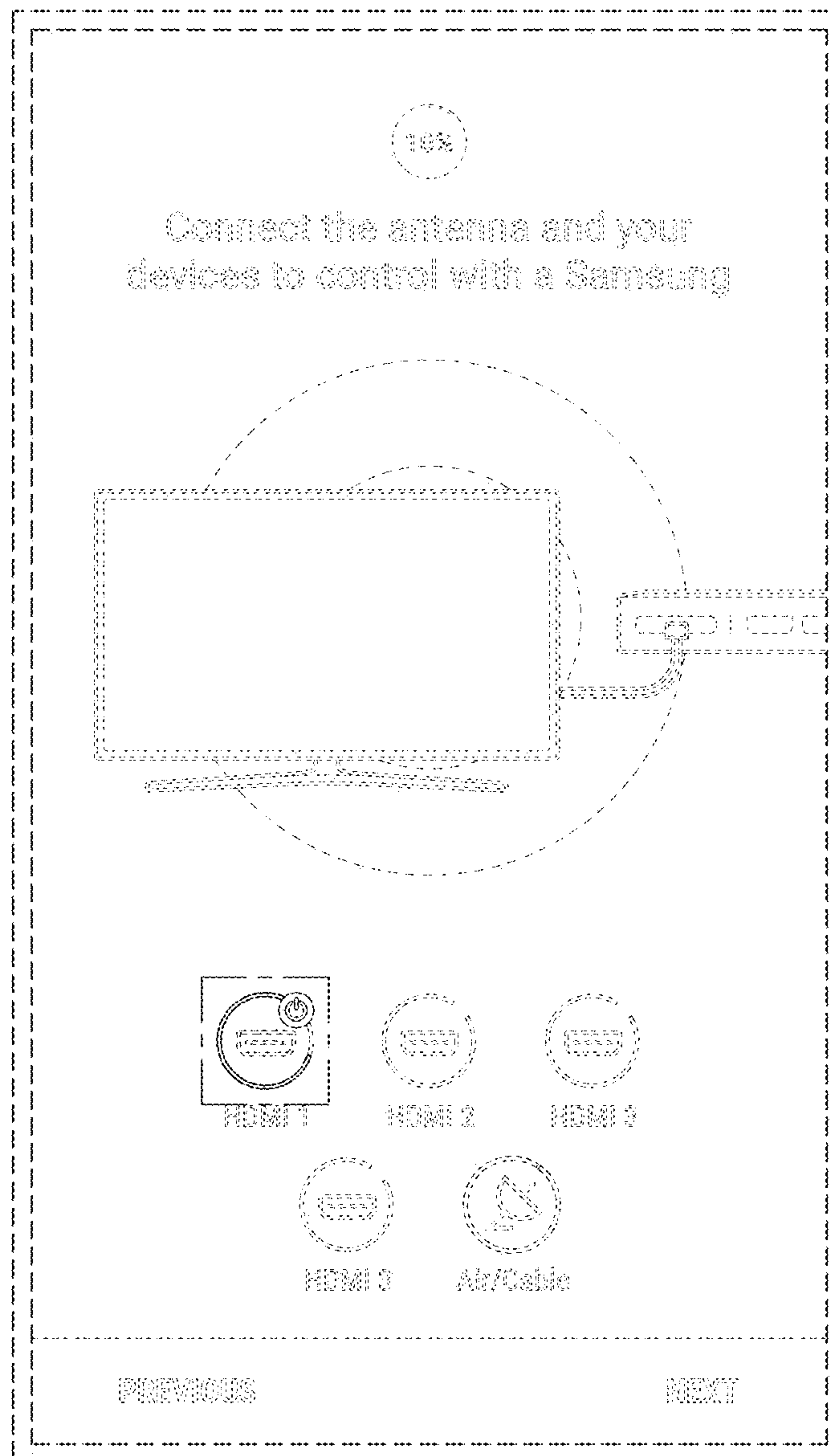


FIG. 5

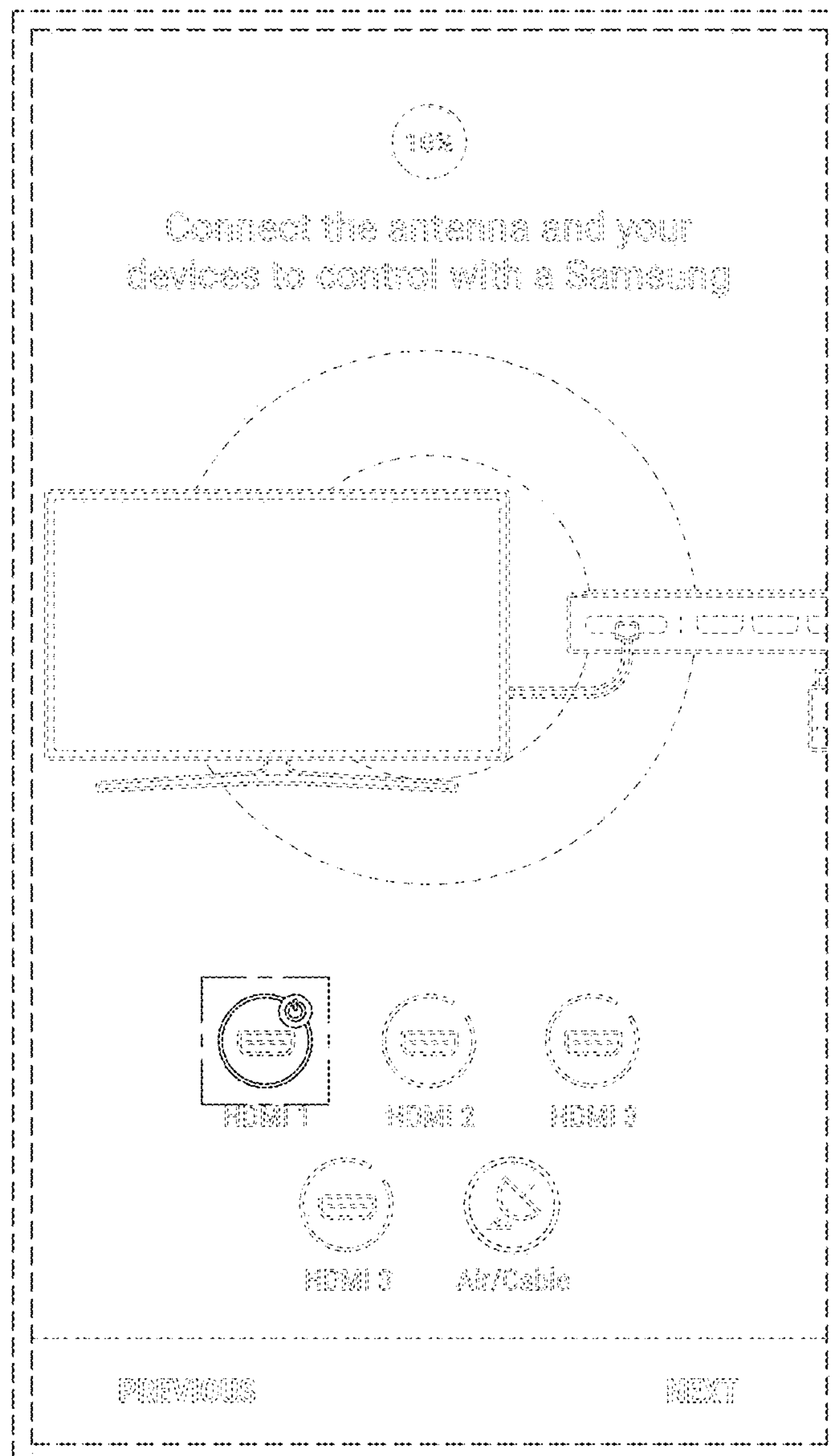


FIG. 6

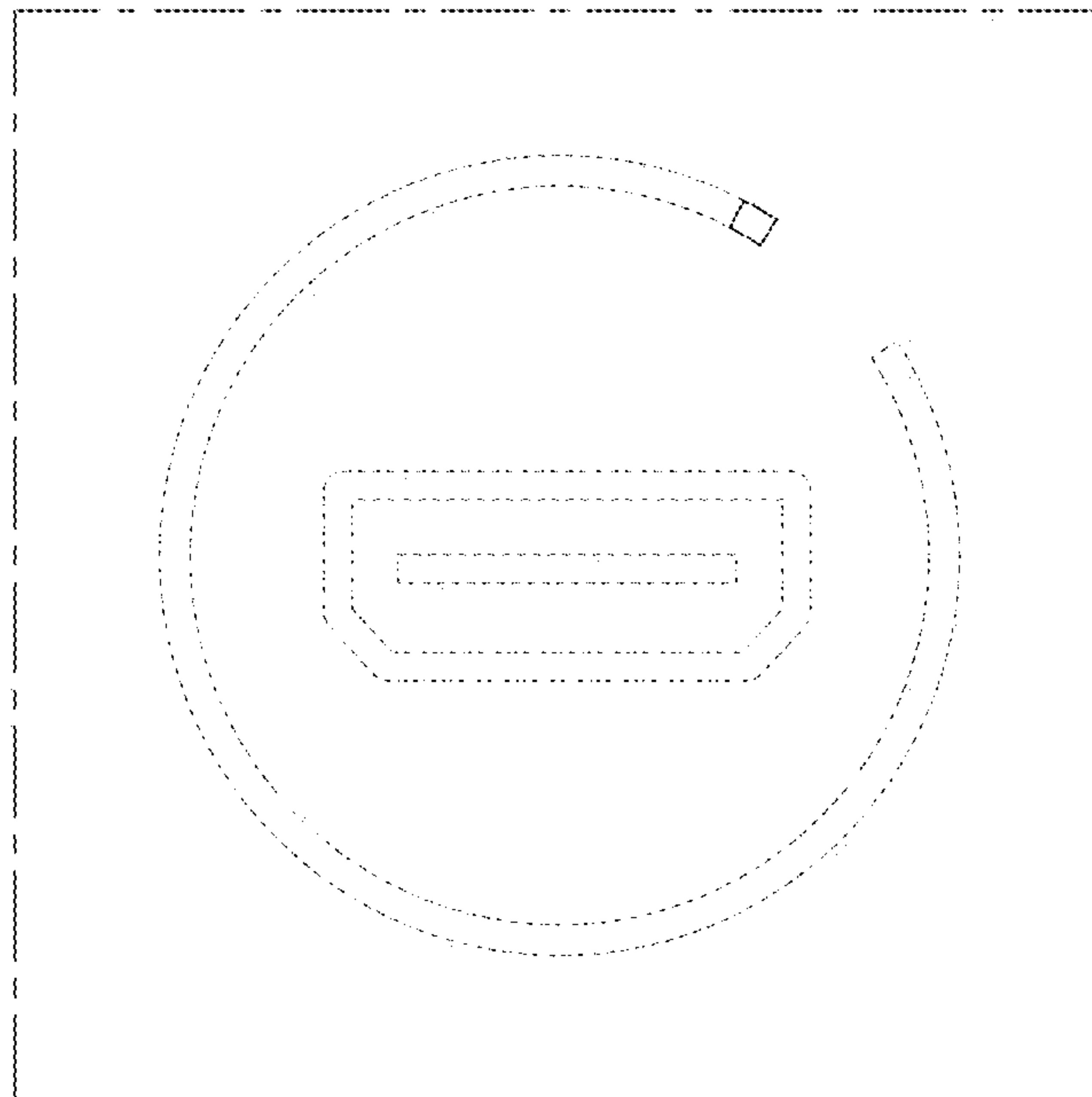


FIG. 7

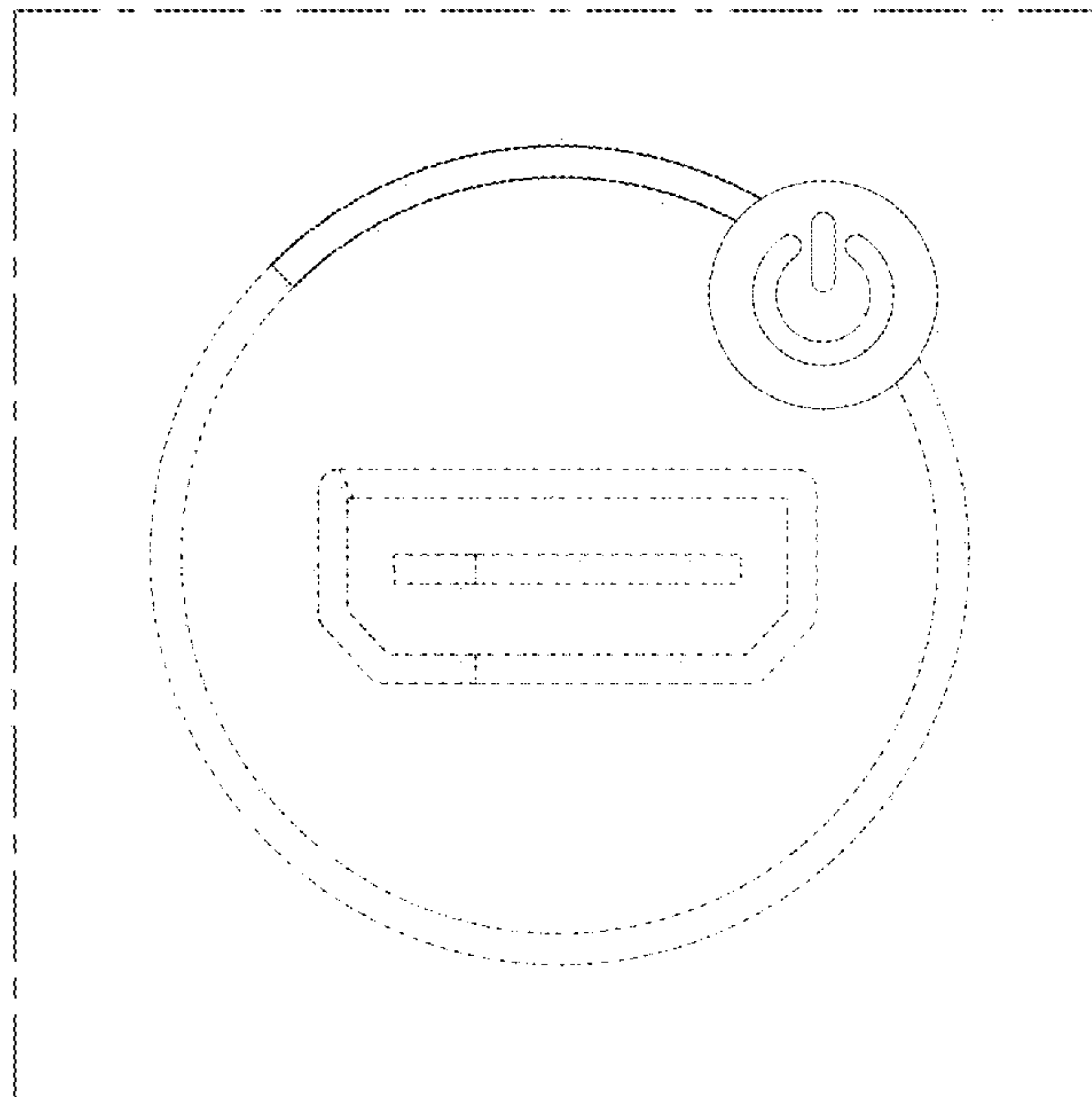


FIG. 8

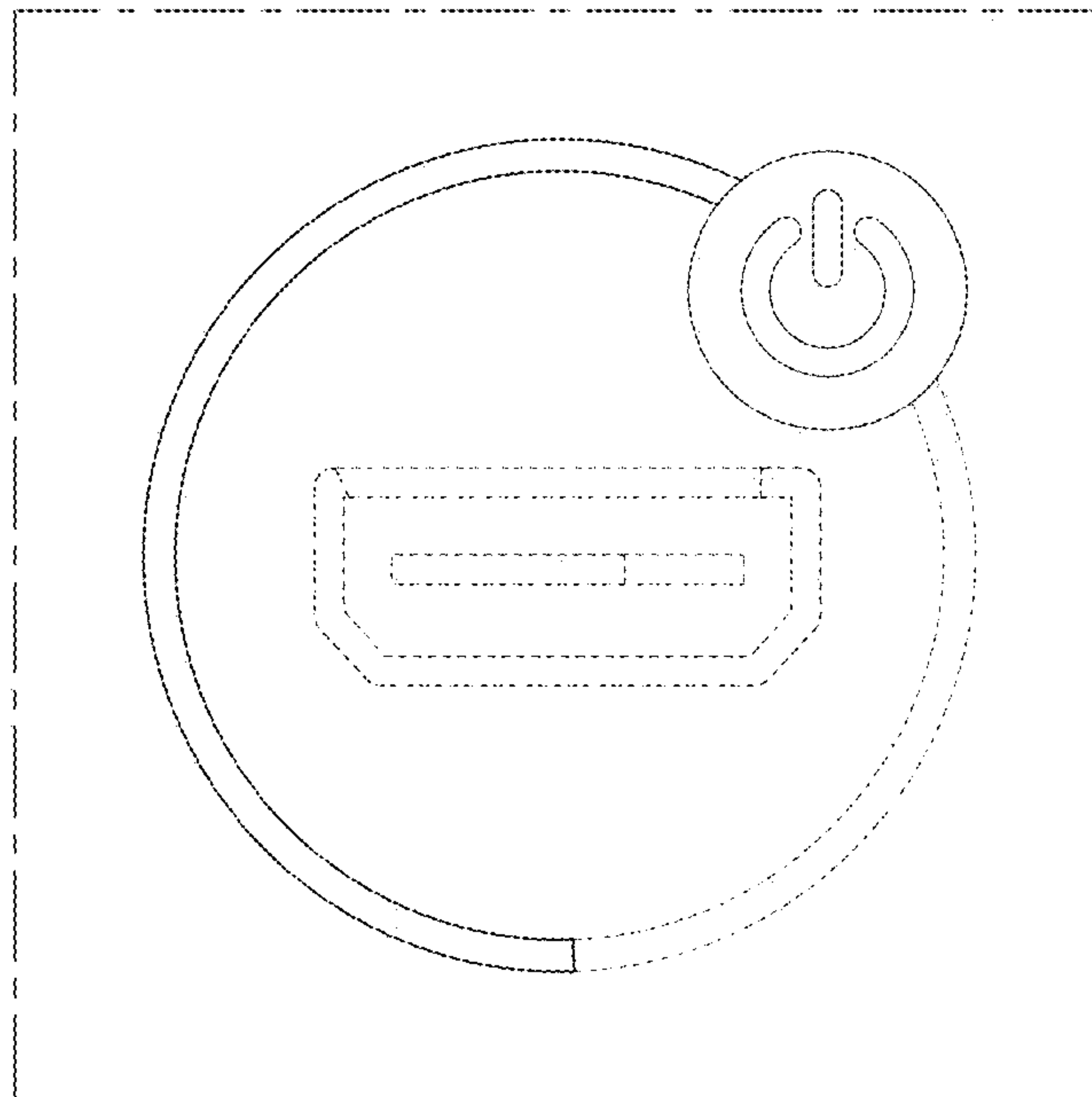


FIG. 9

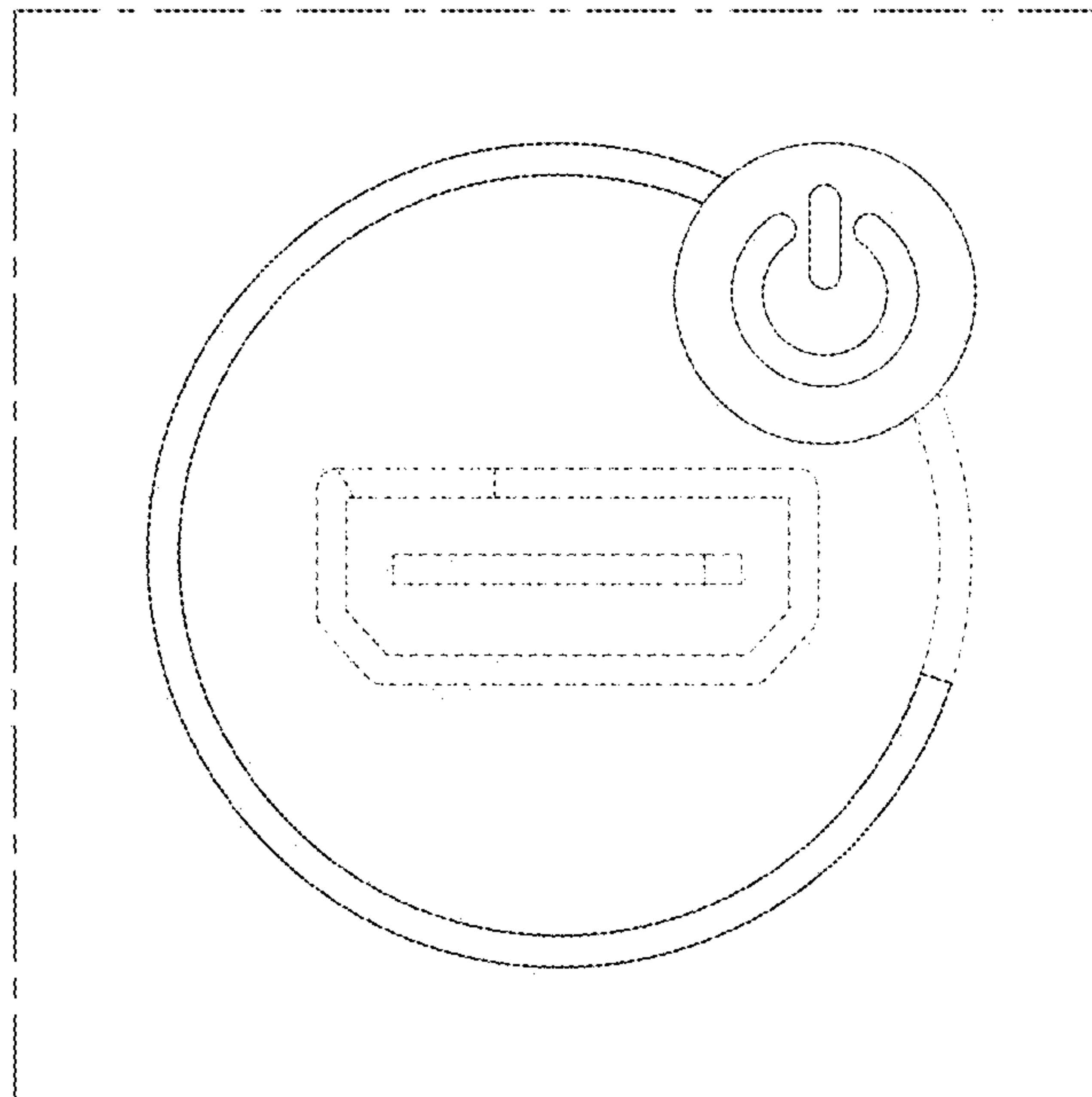


FIG. 10

