



US00D870765S

(12) **United States Design Patent**  
**Georg et al.**

(10) **Patent No.:** **US D870,765 S**

(45) **Date of Patent:** **\*\* Dec. 24, 2019**

(54) **COMPUTING DEVICE DISPLAY SCREEN WITH GRAPHICAL USER INTERFACE FOR GENERATING A THREE-DIMENSIONAL OROFACIAL WORKFLOW**

(71) Applicants: **Ralph Georg**, Miami, FL (US);  
**Christian Coachman**, Miami, FL (US)

(72) Inventors: **Ralph Georg**, Miami, FL (US);  
**Christian Coachman**, Miami, FL (US)

(\*\*) Term: **15 Years**

(21) Appl. No.: **29/659,915**

(22) Filed: **Aug. 14, 2018**

(51) **LOC (12) Cl.** ..... **14-04**

(52) **U.S. Cl.**  
USPC ..... **D14/486**; D14/488

(58) **Field of Classification Search**  
USPC ..... D14/485-495; D20/11; D21/324, 325  
CPC .... G06F 3/048; G06F 3/0481; G06F 3/04817;  
G06F 3/0482; G06F 3/0483; G06F 3/04842; G06F 3/0485; G06F 3/04855;  
G06F 3/0486; G06F 3/0488; G06F 3/04886; G06F 9/4443; G06F 17/211;  
G06F 17/212; G09B 23/283; A61B 5/103;  
A61C 7/00; A61C 7/002; A61C 13/0004;  
A61C 19/04

See application file for complete search history.

(56) **References Cited**

**U.S. PATENT DOCUMENTS**

5,944,531	A *	8/1999	Foley	.....	G09B 23/283 434/262
6,261,248	B1 *	7/2001	Takaishi	.....	A61B 5/103 378/39
D649,557	S *	11/2011	Duchene	.....	D14/488
9,529,970	B2 *	12/2016	Andreiko	.....	A61C 7/002
9,782,236	B2 *	10/2017	Sporbert	.....	A61C 7/00
2005/0127064	A1 *	6/2005	Garcia	.....	F24C 7/083 219/492

2009/0291408	A1 *	11/2009	Stone-Collonge	.....	A61C 7/002 433/24
2009/0306939	A1 *	12/2009	Methot	.....	A61C 19/04 703/1
2010/0049351	A1 *	2/2010	Monkmeyer	.....	A61C 5/77 700/98
2013/0158958	A1 *	6/2013	Methot	.....	A61C 13/0004 703/1
2013/0218530	A1 *	8/2013	Deichmann	.....	A61C 13/0004 703/1

(Continued)

**OTHER PUBLICATIONS**

“Digital Smile Design” Sep. 11, 2018, posted at digitalsmiledesign.com, [site visited Aug. 28, 2019]. <https://web.archive.org/web/20180911065813/http://www.digitalsmiledesign.com>.\*

(Continued)

*Primary Examiner* — Jack Reickel

*Assistant Examiner* — John M Otte

(74) *Attorney, Agent, or Firm* — The Rapacke Law Group, P.A.

(57) **CLAIM**

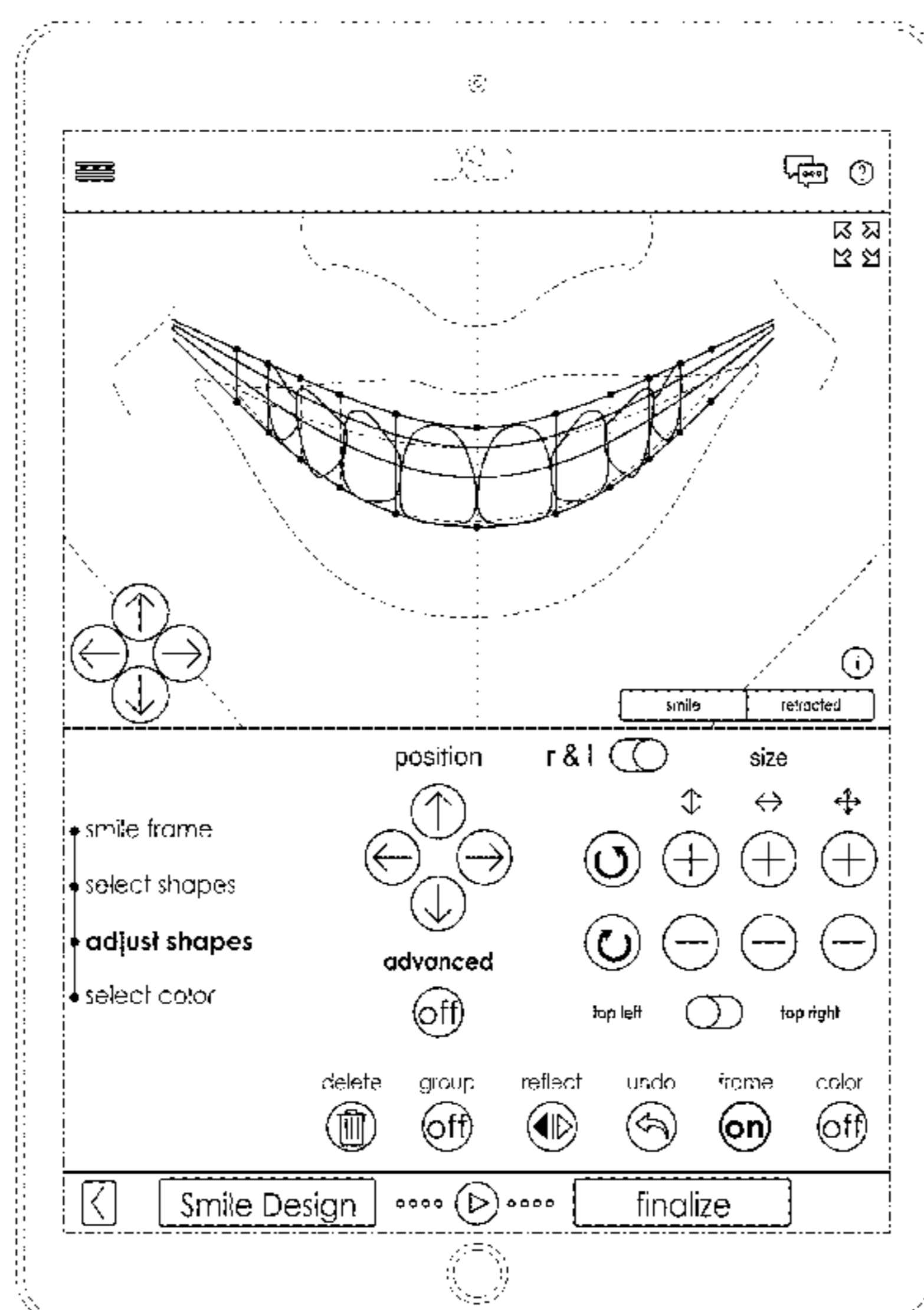
The ornamental design for a computing device display screen with graphical user interface for generating a three-dimensional orofacial workflow, as shown and described.

**DESCRIPTION**

The sole FIGURE is a front view of the computing device display screen with graphical user interface for generating a three-dimensional orofacial workflow, showing the new design.

The evenly spaced broken lines showing an electronic device and portions of the graphical user interface, and the dot-dash lines showing the display screen, are included for the purpose of showing portions of the article which form no part of the claimed design.

**1 Claim, 1 Drawing Sheet**



(56)

**References Cited**

U.S. PATENT DOCUMENTS

2015/0351638 A1\* 12/2015 Amato ..... A61C 7/002  
433/215

OTHER PUBLICATIONS

Coachman, Christian, "Smile Designer Pro, the DSD application for iPad. Coming soon!" Aug. 23, 2013, posted at twitter.com, [site visited Aug. 28, 2019]. [https://twitter.com/c\\_coachman/status/370951065044123648](https://twitter.com/c_coachman/status/370951065044123648).\*

"Planmeca Romexis® Smile Design—Smile Design in 2 Minutes!" Jan. 24, 2018, posted at youtube.com, [site visited Aug. 28, 2019]. [https://www.youtube.com/watch?v=jFhcBEh\\_8QI](https://www.youtube.com/watch?v=jFhcBEh_8QI).\*

"GPS presents the 3D Smile Designer" Sep. 5, 2013, posted at youtube.com, [site visited Aug. 28, 2019]. [https://www.youtube.com/watch?v=\\_YBSCyLL7HI](https://www.youtube.com/watch?v=_YBSCyLL7HI).\*

\* cited by examiner

