



US00D870741S

(12) **United States Design Patent** (10) **Patent No.:** **US D870,741 S**  
**Keating** (45) **Date of Patent:** **\*\* Dec. 24, 2019**

(54) **DISPLAY SCREEN OR PORTION THEREOF WITH POP-UP GRAPHICAL USER INTERFACE**

(71) Applicant: **Trivver, Inc.**, Huntington Beach, CA (US)

(72) Inventor: **Simon Keating**, Aldershot (GB)

(73) Assignee: **Trivver, Inc.**, Huntington Beach, CA (US)

(\*\*) Term: **15 Years**

(21) Appl. No.: **29/631,275**

(22) Filed: **Dec. 28, 2017**

(51) **LOC (12) Cl.** ..... **14-04**

(52) **U.S. Cl.**  
USPC ..... **D14/485**

(58) **Field of Classification Search**  
USPC ..... D14/485-495  
CPC ..... G06F 3/04817; G06F 3/0482; H04N 1/00472

See application file for complete search history.

(56) **References Cited**

U.S. PATENT DOCUMENTS

D450,058 S *	11/2001	Istvan	.....	D14/486
D469,104 S *	1/2003	Istvan	.....	D14/486
D527,012 S *	8/2006	Cummins	.....	D14/486
7,155,729 B1 *	12/2006	Andrew	.....	G06F 9/44505 719/318
7,503,008 B2 *	3/2009	Berquist	.....	G06F 3/0481 715/764
D606,086 S *	12/2009	Agnetta	.....	D14/485
D668,262 S *	10/2012	Gleasant	.....	D14/488
D689,509 S *	9/2013	Convay	.....	D14/486

D697,931 S *	1/2014	Lee	.....	D14/486
D725,127 S *	3/2015	Aoshima	.....	D14/485
D732,067 S *	6/2015	Kang	.....	D14/488
D769,303 S *	10/2016	Rodriguez	.....	D14/488
D774,069 S *	12/2016	Gardner	.....	D14/486
D803,858 S *	11/2017	Su	.....	D14/486
D834,036 S *	11/2018	Felton	.....	D14/485
2004/0255253 A1 *	12/2004	Marcjan	.....	G06F 3/04817 715/789
2009/0187837 A1 *	7/2009	Fusaro	.....	G06F 9/451 715/762
2009/0187859 A1 *	7/2009	Tuerk	.....	G06F 9/451 715/834
2010/0058216 A1 *	3/2010	Yoon	.....	G06F 3/0482 715/769

\* cited by examiner

*Primary Examiner* — Richelle G Shelton

(74) *Attorney, Agent, or Firm* — Chhabra Law Firm, PC

(57) **CLAIM**

The ornamental design for a display screen or portion thereof with pop-up graphical user interface, as shown and described.

**DESCRIPTION**

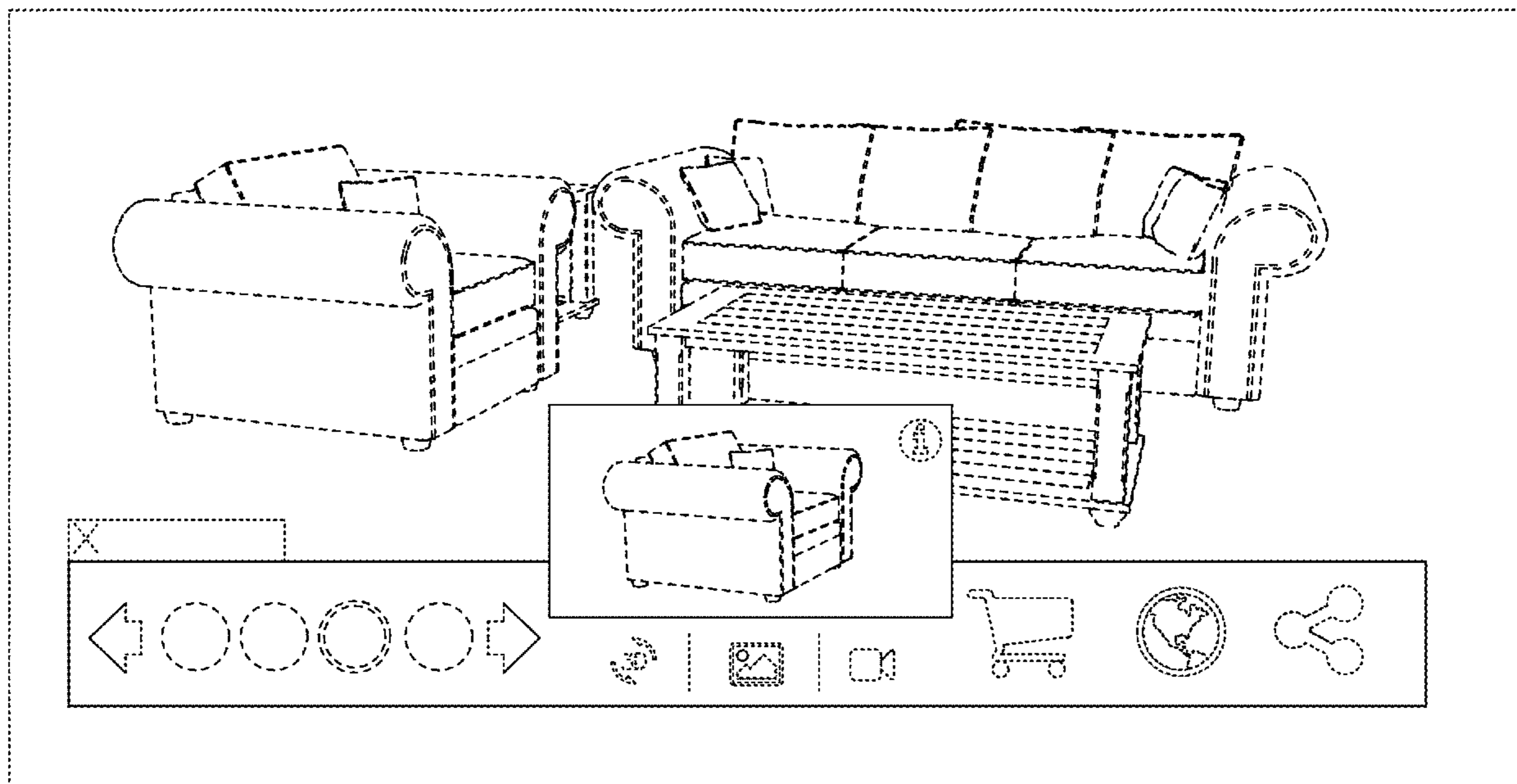
FIG. 1 is a front view of a display screen or a portion thereof with pop-up graphical user interface showing a first embodiment of the new design.

FIG. 2 is a detail view thereof, shown separately for ease of illustration; and,

FIG. 3 is a front view thereof, shown in an alternate environment.

The broken line showings of the display screen, or a portion thereof, and of selected elements of the graphical user interface are for environmental purposes only and form no part of the claimed design.

**1 Claim, 3 Drawing Sheets**



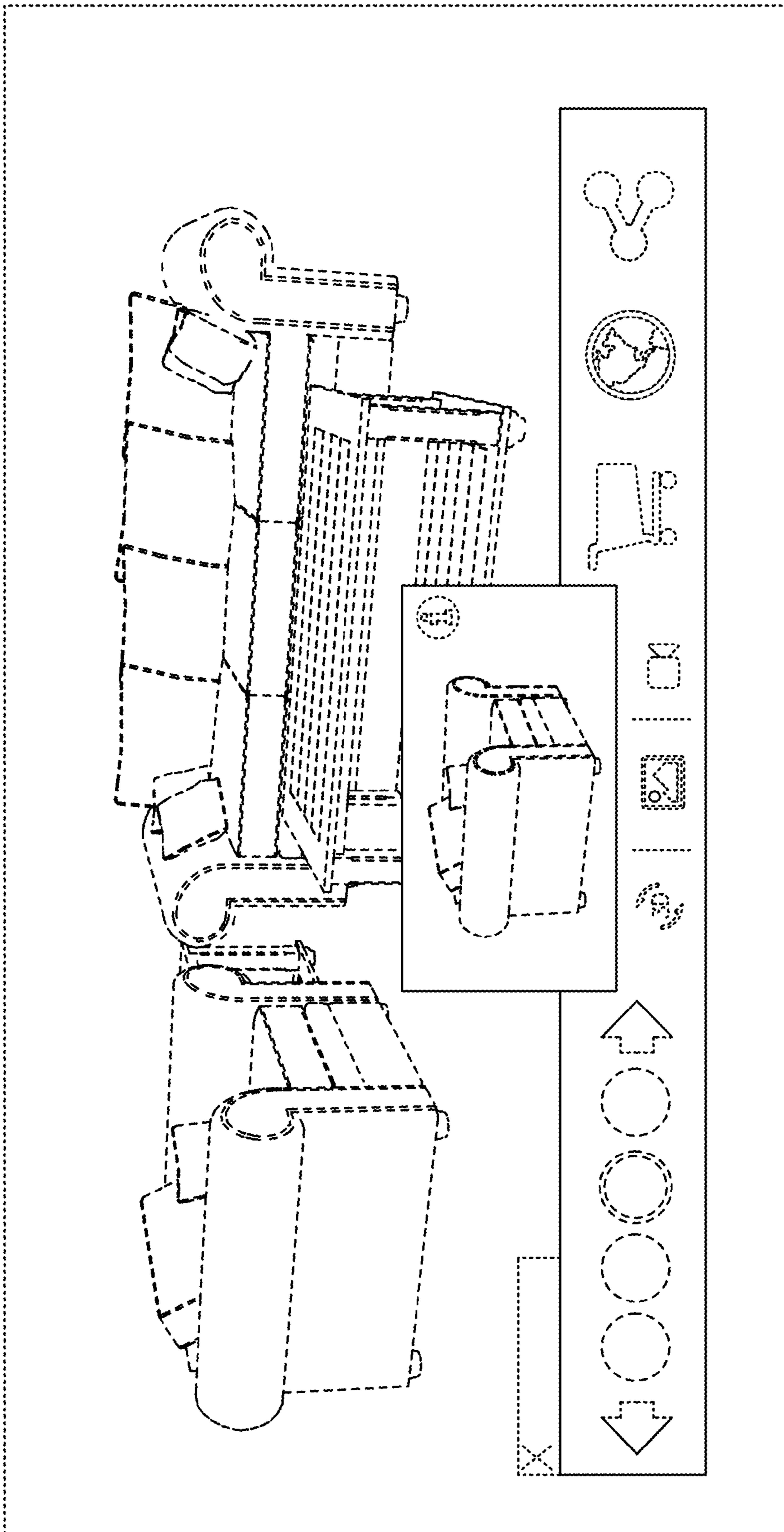


FIG. 1

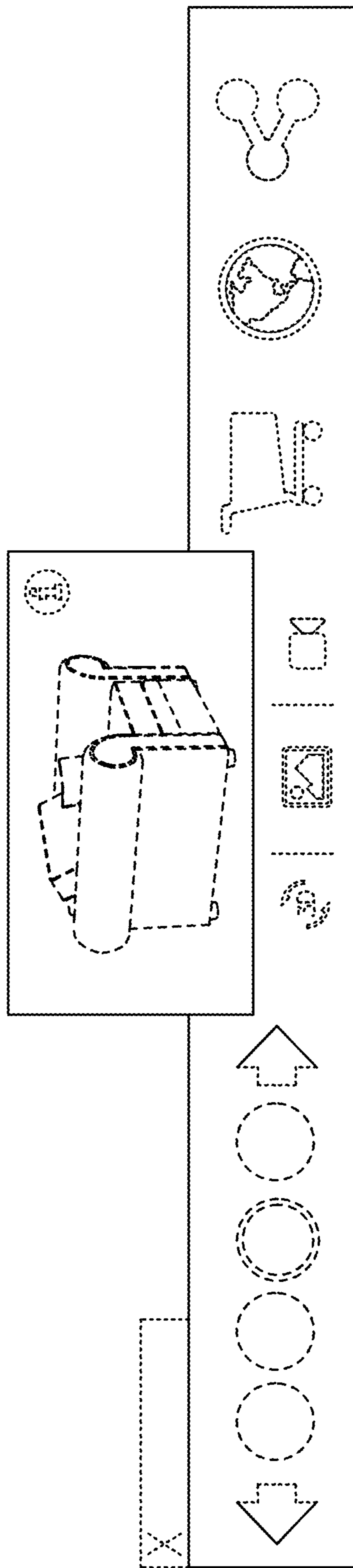


FIG. 2

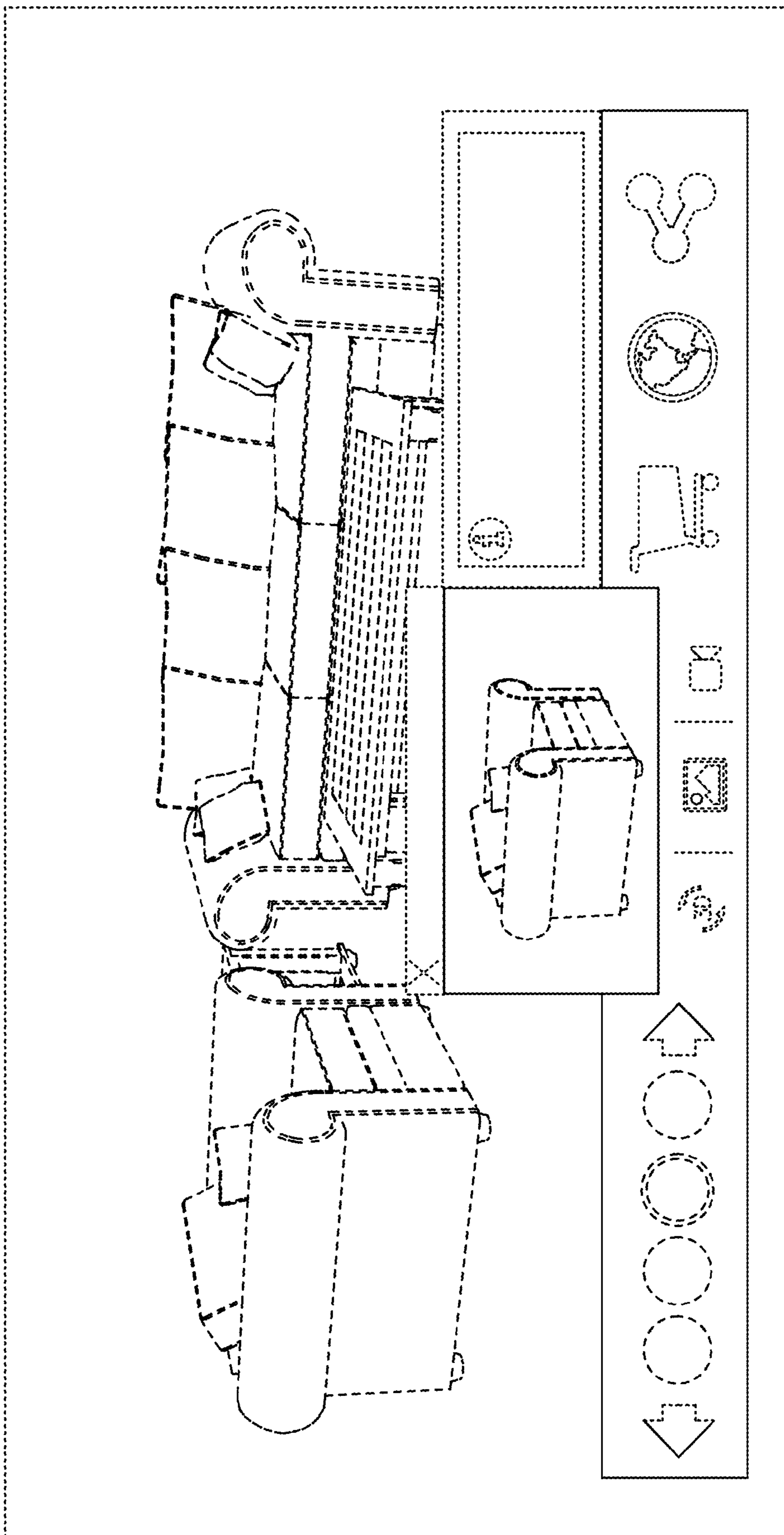


FIG. 3