



US00D870738S

(12) **United States Design Patent** (10) **Patent No.:** **US D870,738 S**
Robinson et al. (45) **Date of Patent:** **** Dec. 24, 2019**

(54) **DISPLAY PANEL OR SCREEN WITH GRAPHICAL USER INTERFACE**

H04N 2005/4456; H04N 2005/44565;
H04N 2005/44569; H04N 2005/44573;
H04N

(71) Applicant: **Verizon Patent and Licensing Inc.**,
Arlington, VA (US)

(Continued)

(72) Inventors: **Quentin N. Robinson**, Willingboro, NJ
(US); **Layton R. Diament**, San
Francisco, CA (US); **Melissa Kark**,
Jersey City, NJ (US); **Martin Luther
Bunyi**, Long Valley, NJ (US); **Denise
Nicole Lyn-Shue**, Cambridge, MA (US)

(56) **References Cited**

U.S. PATENT DOCUMENTS

D396,455 S * 7/1998 Bier D14/489
6,549,219 B2 * 4/2003 Selker G06F 3/0482
345/902
D500,766 S * 1/2005 Hanisch D14/489
(Continued)

(73) Assignee: **VERIZON PATENT AND
LICENSING INC.**, Basking Ridge, NJ
(US)

OTHER PUBLICATIONS

“UPDD Radial Menu.” touch-base.com, accessed via Internet Archive
Wayback Machine. Revised Jun. 30, 2014. Accessed Aug. 14, 2018.
Available online via URL: <<https://web.archive.org/web/20140720025929/https://www.touch-base.com/documentation/UPDDRadialMenu.htm>> (Year: 2014).*

(Continued)

(**) Term: **15 Years**

Primary Examiner — Cathron C Brooks
Assistant Examiner — Christian P. McLean

(21) Appl. No.: **29/575,992**

(22) Filed: **Aug. 30, 2016**

(51) **LOC (12) Cl.** **14-04**

(52) **U.S. Cl.**
USPC **D14/485**

(58) **Field of Classification Search**
USPC D14/485–495; 345/1.1, 1.2, 2.1–2.3, 3.1,
345/902; 715/763, 810, 836, 837, 846,
715/847, 977

CPC G06F 3/048; G06F 3/0481; G06F 3/04812;
G06F 3/04817; G06F 3/0482; G06F
3/0483; G06F 3/0484; G06F 3/04847;
G06F 3/0485; G06F 3/04855; G06F
3/04886; G06Q 30/00; H03J 1/00; H03J
1/0008; H03J 1/0016; H03J 1/0025;
H04N 5/00; H04N 5/08; H04N 5/14;
H04N 5/222; H04N 5/225; H04N 5/232;
H04N 5/445; H04N 5/44543; H04N 5/45;
H04N 2005/44517; H04N 2005/44521;
H04N 2005/44526; H04N 2005/4453;
H04N 2005/44534; H04N 2005/44539;
H04N 2005/44547; H04N 2005/44556;

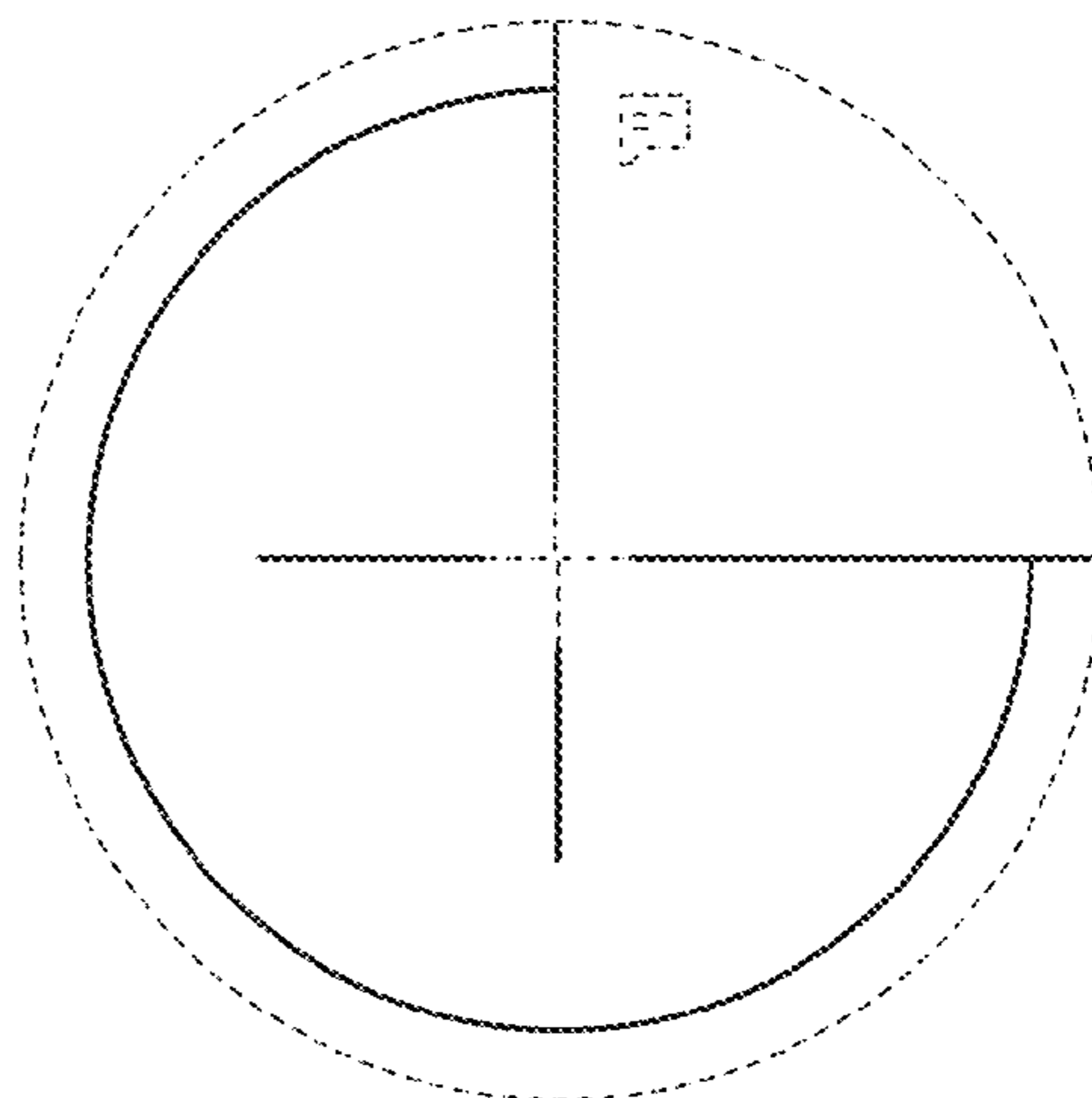
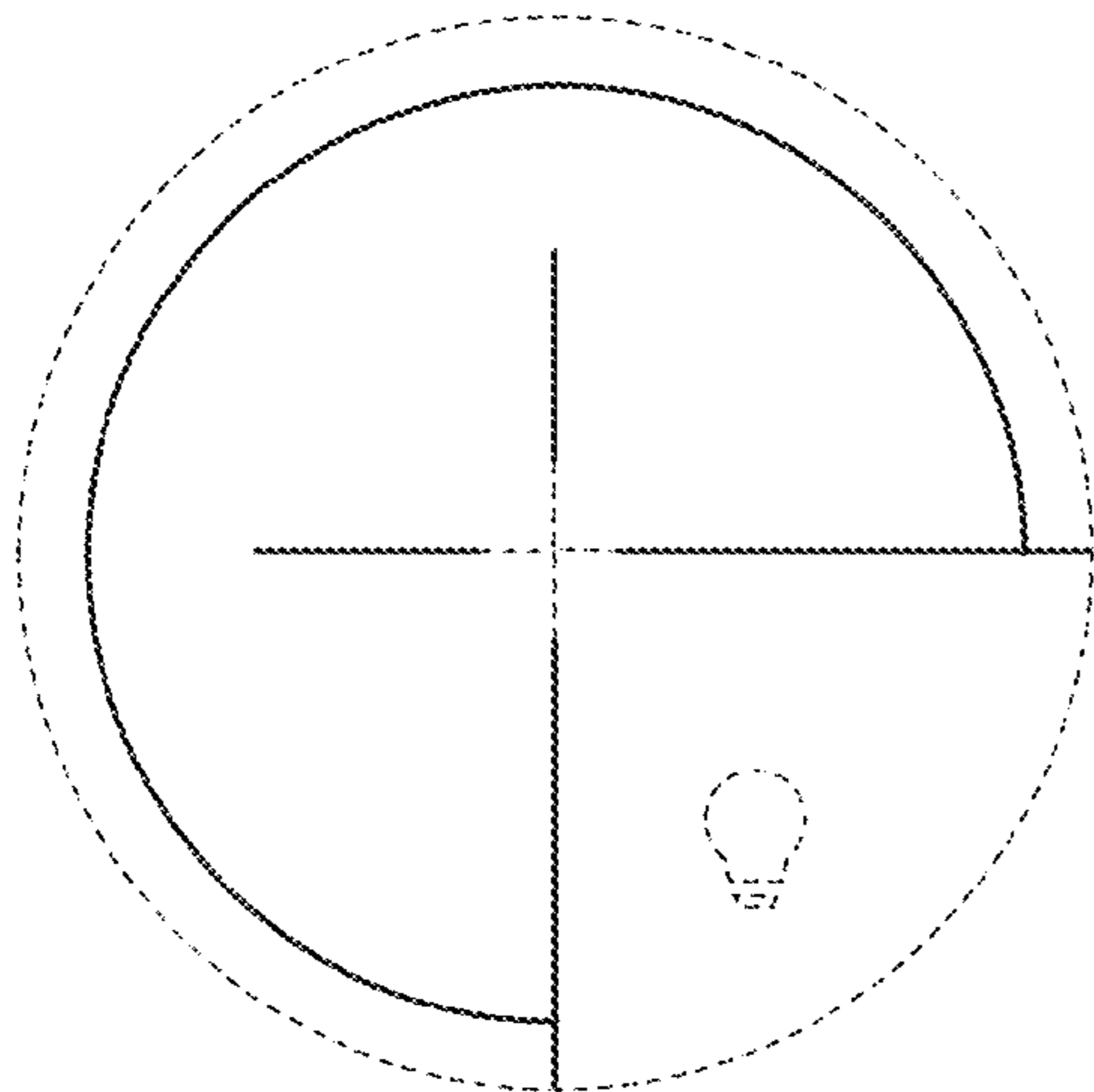
(57) **CLAIM**

The ornamental design for a display panel or screen with
graphical user interface, as shown and described.

DESCRIPTION

FIG. 1 is a front view of a display panel or screen with a
graphical user interface showing a first embodiment of our
new design;
FIG. 2 is a front view of a second embodiment thereof;
FIG. 3 is a front view of a third embodiment thereof; and,
FIG. 4 is a front view of a fourth embodiment thereof.
The outermost broken lines illustrate a display panel or
screen and form no part of the claimed design. The remain-
ing broken lines illustrate portions of the graphical user
interface that form no part of the claimed design.

1 Claim, 1 Drawing Sheet



- (58) **Field of Classification Search**
 CPC 21/00; H04N 21/234; H04N 21/431; H04N
 21/4312; H04N 21/4314; H04N 21/4316
 See application file for complete search history.

(56) **References Cited**

U.S. PATENT DOCUMENTS

D602,033 S * 10/2009 Vu D14/485
 D687,460 S * 8/2013 Tyler D14/489
 D716,319 S * 10/2014 Fan D14/485
 D722,079 S * 2/2015 Charles D14/488
 D732,555 S * 6/2015 Schoger D14/486
 D752,618 S * 3/2016 Lee D14/486
 D754,674 S * 4/2016 Lee D14/485
 D754,677 S * 4/2016 Takizawa D14/485
 D754,686 S * 4/2016 Mandeville D14/485
 D755,798 S * 5/2016 Zheng D14/485
 D757,817 S * 5/2016 Pan G06F 3/04817
 D763,289 S * 8/2016 Mistry D14/486
 D764,497 S * 8/2016 Seo D14/485
 D765,669 S * 9/2016 Shaw D14/485
 D766,267 S * 9/2016 Lee D14/485
 D768,141 S * 10/2016 Andre D14/485
 D774,543 S * 12/2016 Yun D14/489
 D781,912 S * 3/2017 Napper D14/489
 D784,361 S * 4/2017 Graham D14/485
 D786,269 S * 5/2017 Lin D14/485
 D788,122 S * 5/2017 Tada D14/485
 D795,898 S * 8/2017 Li D14/486
 D797,756 S * 9/2017 Meyer D14/485
 D797,792 S * 9/2017 Patterson D14/488
 D798,336 S * 9/2017 Maccubbin D14/485
 D799,498 S * 10/2017 Graham D14/485
 D800,764 S * 10/2017 Thoreson D14/488
 D804,492 S * 12/2017 Graham D14/485
 D807,384 S * 1/2018 Quattrocchi D14/486

D810,755 S * 2/2018 Josephson D14/485
 D811,420 S * 2/2018 Gaur D14/485
 D811,421 S * 2/2018 Caldwell G06Q 40/12
 D14/485
 D814,508 S * 4/2018 Holl D14/488
 D818,489 S * 5/2018 Lider D14/488
 D823,866 S * 7/2018 Laing D14/485
 D824,925 S * 8/2018 Guy D14/485
 D824,935 S * 8/2018 Boutoussov D14/486
 D835,632 S * 12/2018 Liu D14/485
 D841,035 S * 2/2019 Kim D14/486
 10,204,597 B2 * 2/2019 Kurata G06F 3/0485
 D847,838 S * 5/2019 Muenzer D14/486
 10,353,549 B2 * 7/2019 Azmoon G06F 3/04847
 D855,629 S * 8/2019 Arai D14/485
 2007/0261003 A1 * 11/2007 Reissmueller G06F 3/0482
 715/810
 2007/0271528 A1 * 11/2007 Park G06F 3/0482
 715/810
 2013/0019208 A1 * 1/2013 Kotler G06F 3/04812
 715/835
 2013/0127911 A1 * 5/2013 Brown G06F 3/04886
 345/649
 2014/0110483 A1 * 4/2014 Benson G05B 1/01
 235/404
 2017/0322711 A1 * 11/2017 Robinson G06F 3/04847

OTHER PUBLICATIONS

“Are circular menu/button interfaces intuitive?” ux.stackexchange.com. Edited Aug. 24, 2012. Accessed Aug. 14, 2018. Available online at URL: <<https://ux.stackexchange.com/questions/25002/are-circular-menu-button-interfaces-intuitive>> (Year: 2012).*

Maxim, Andrey. “Circle Menu + PSD.” dribbble.com. Jul. 16, 2012. Accessed Aug. 14, 2018. Available online at URL: <<https://dribbble.com/shots/647272-Circle-Menu-PSD>> (Year: 2012).*

* cited by examiner

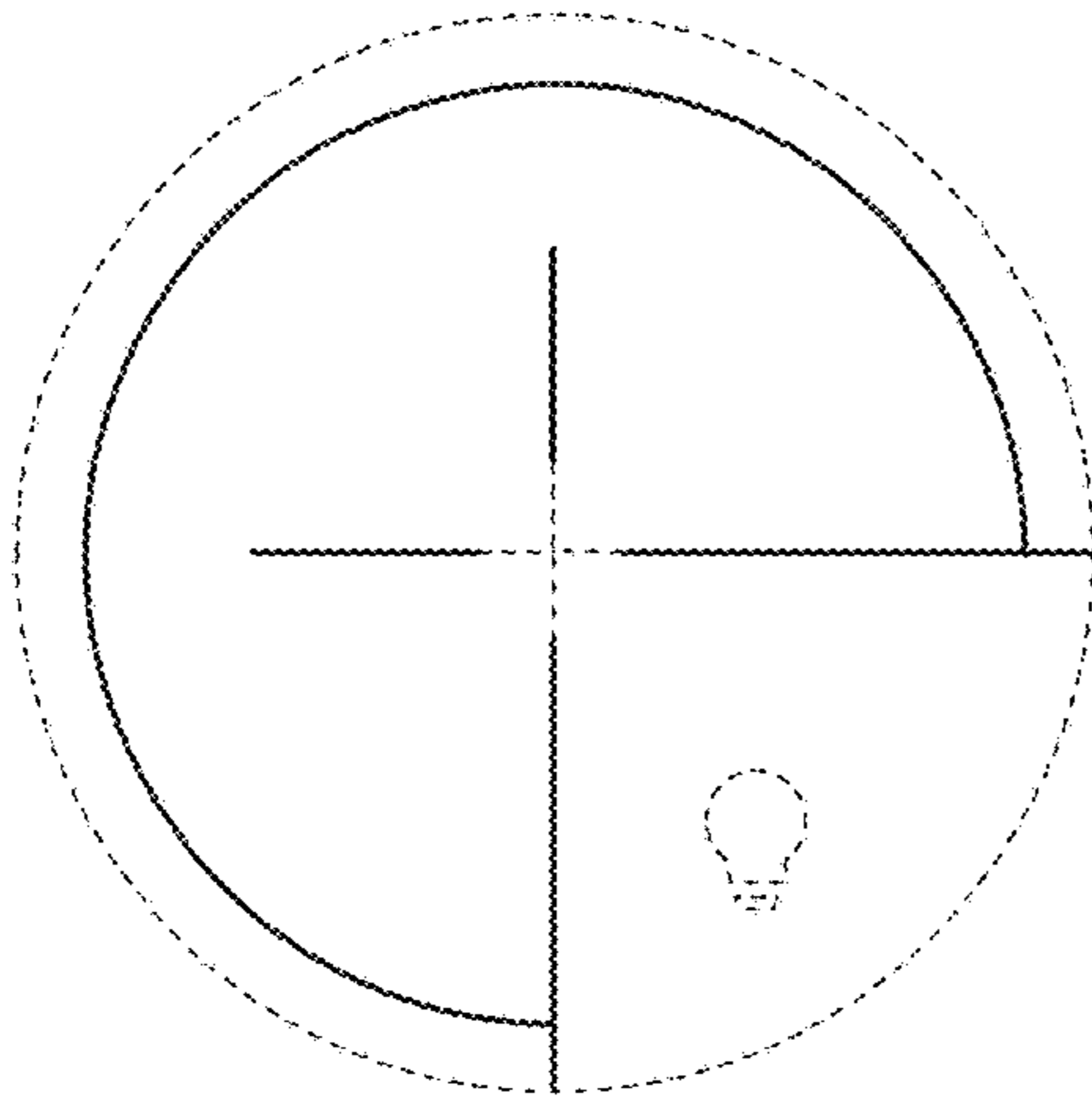


FIG. 1

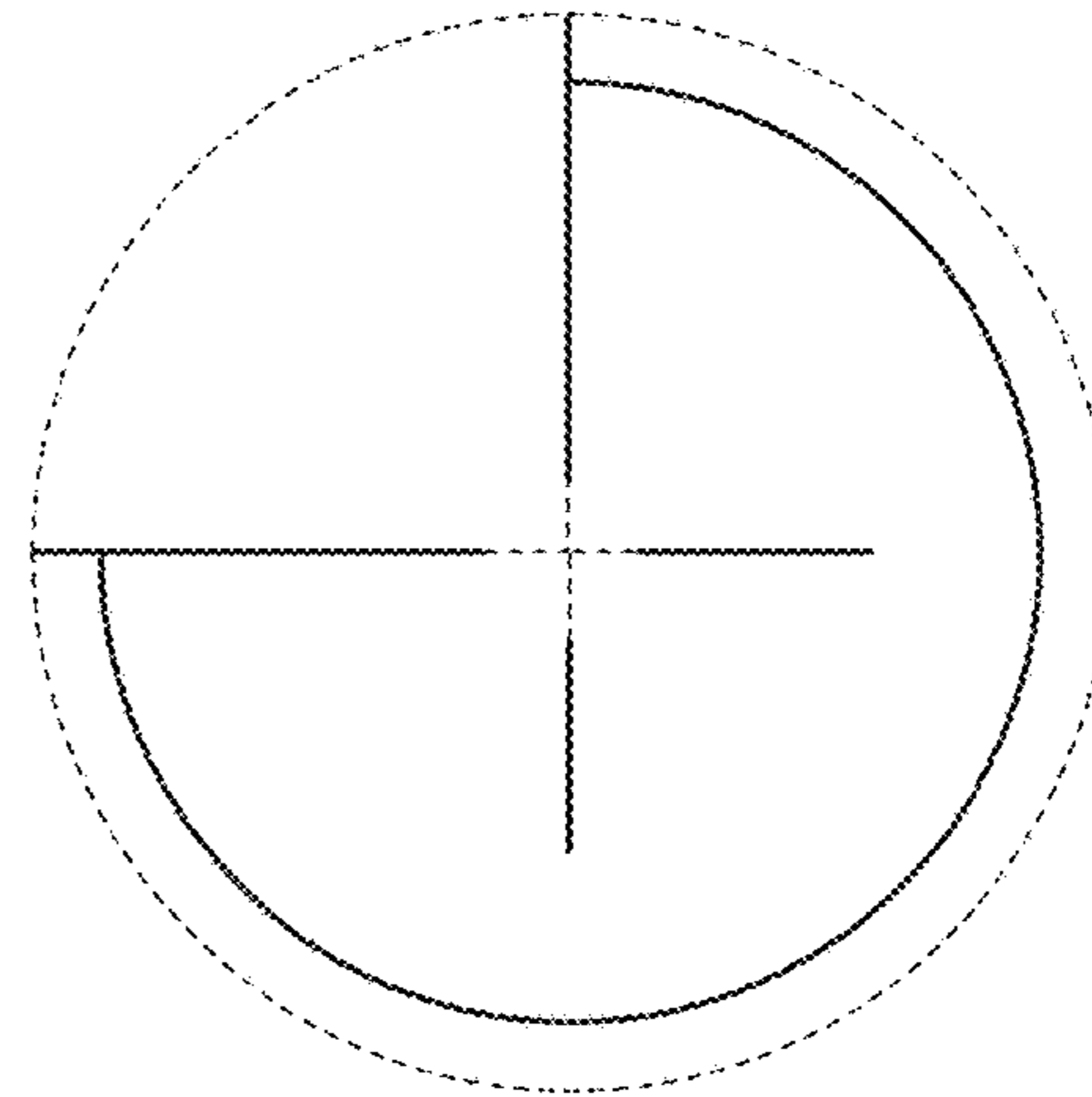


FIG. 3

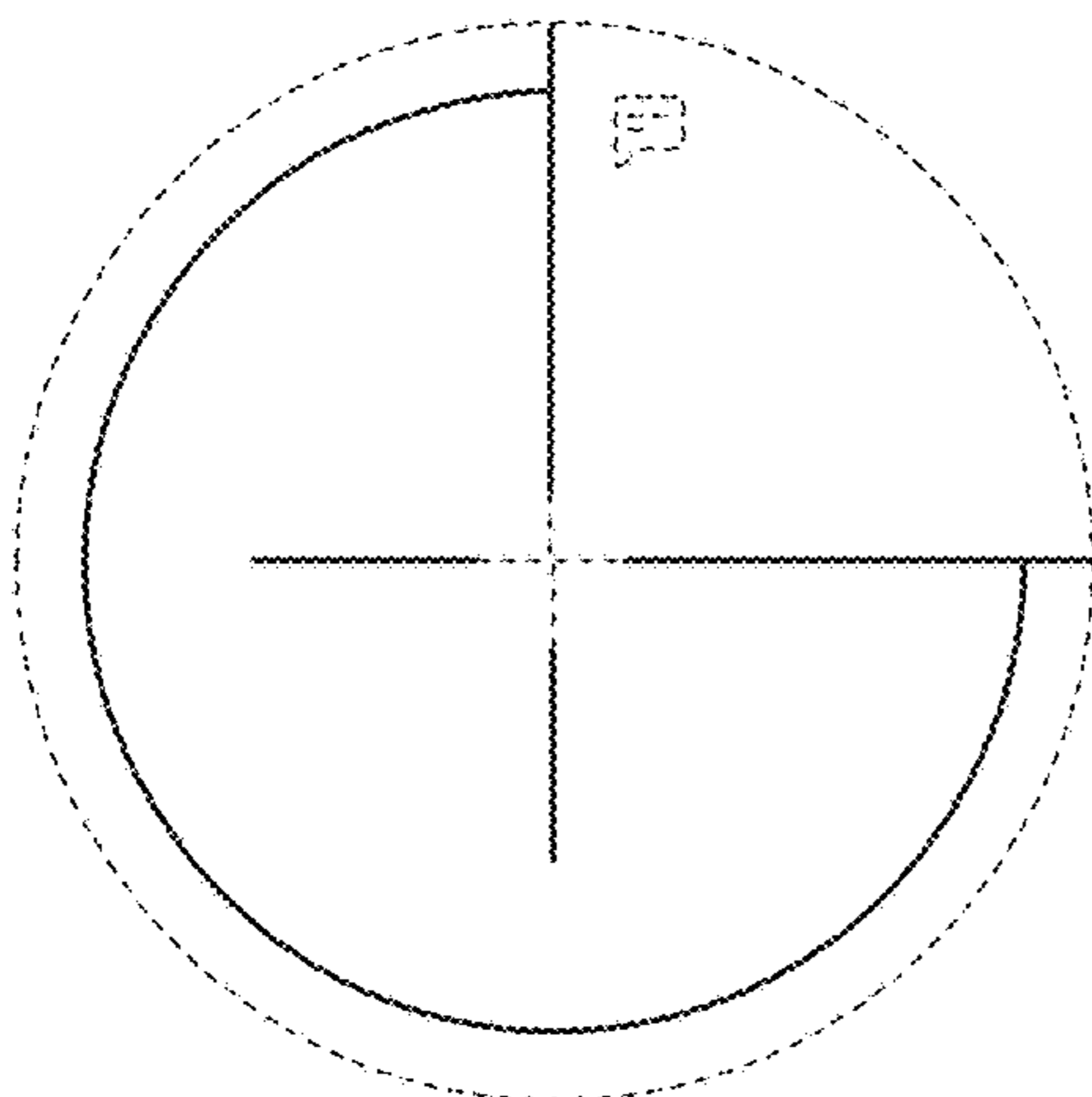


FIG. 2

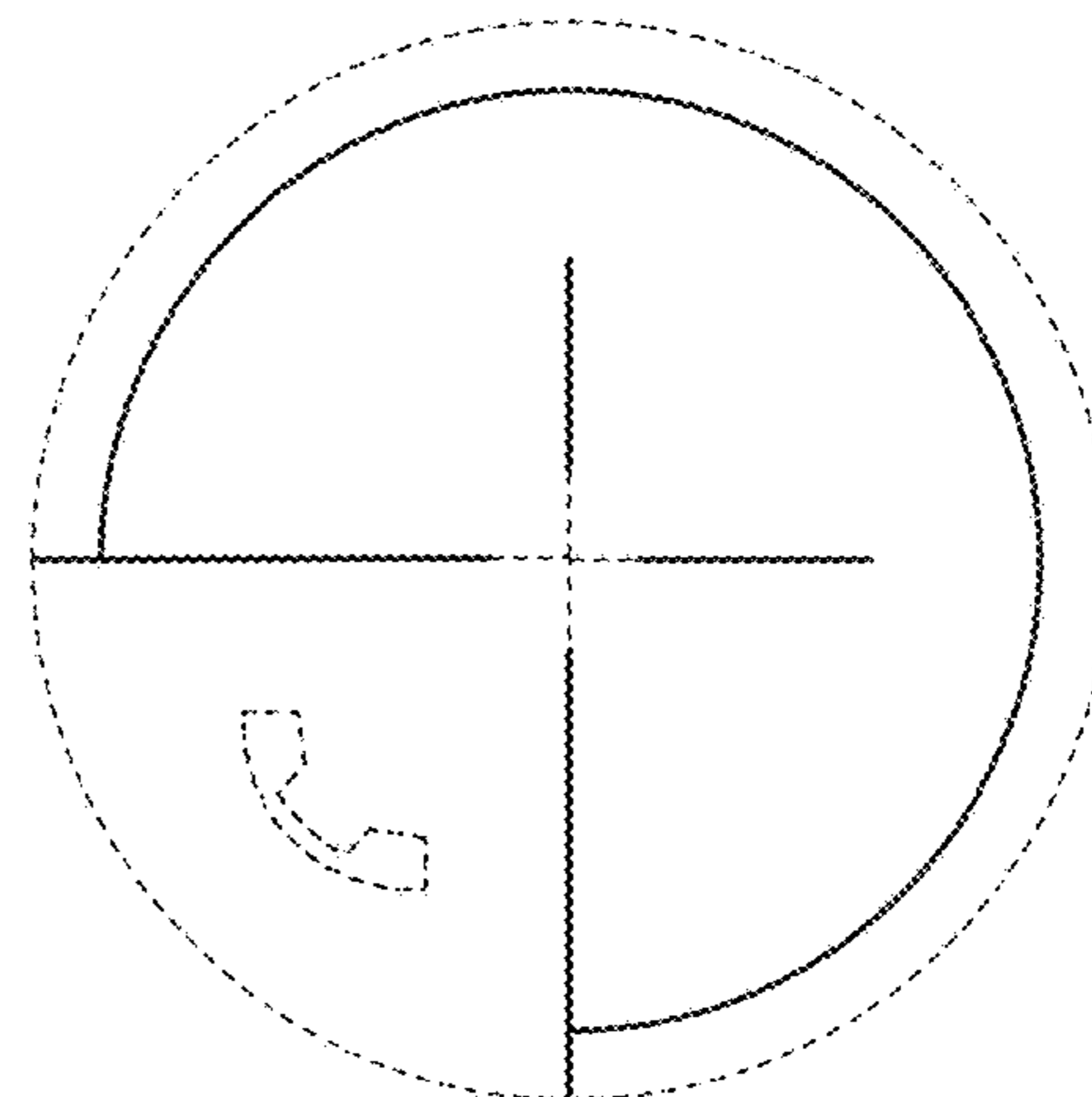


FIG. 4