



US00D870737S

(12) **United States Design Patent**
Borloz et al.

(10) **Patent No.:** **US D870,737 S**

(45) **Date of Patent:** **** Dec. 24, 2019**

(54) **SUPPORT ARM**

(71) Applicant: **GCX Corporation**, Petaluma, CA (US)

(72) Inventors: **Paul Rene Borloz**, Petaluma, CA (US);
Joshua Kawarii Littlefield, Santa Rosa, CA (US); **Cristian J. Daugbjerg**, Novato, CA (US); **Robert Peter Glaser**, Corte Madera, CA (US); **Frankie Vazquez**, San Francisco, CA (US); **Elvin Chu**, San Francisco, CA (US)

(73) Assignee: **GCX Corporation**, Petaluma, CA (US)

(**) Term: **15 Years**

(21) Appl. No.: **29/639,472**

(22) Filed: **Mar. 6, 2018**

(51) **LOC (12) Cl.** **14-02**

(52) **U.S. Cl.**
USPC **D14/452**

(58) **Field of Classification Search**
USPC D14/447-452, 336, 341, 371, 373, 374,
D14/375, 376, 377, 126, 127, 128, 129
(Continued)

(56) **References Cited**

U.S. PATENT DOCUMENTS

D337,333 S * 7/1993 Turk D14/251
D488,708 S * 4/2004 Lam D8/363
(Continued)

FOREIGN PATENT DOCUMENTS

CN 301216640 * 5/2010
CN 304056418 * 2/2017
JP D1287161 * 11/2006

OTHER PUBLICATIONS

Amazon. Link: <http://a.co/d/9cVsIHj>. Aug. 11, 2018. Single Arm Wall Mount Monitor Stand. (Year: 2018).*

Primary Examiner — Susan Bennett Hattan

Assistant Examiner — Lauren D McVey

(74) *Attorney, Agent, or Firm* — Perkins Coie LLP;
Michael A. Glenn

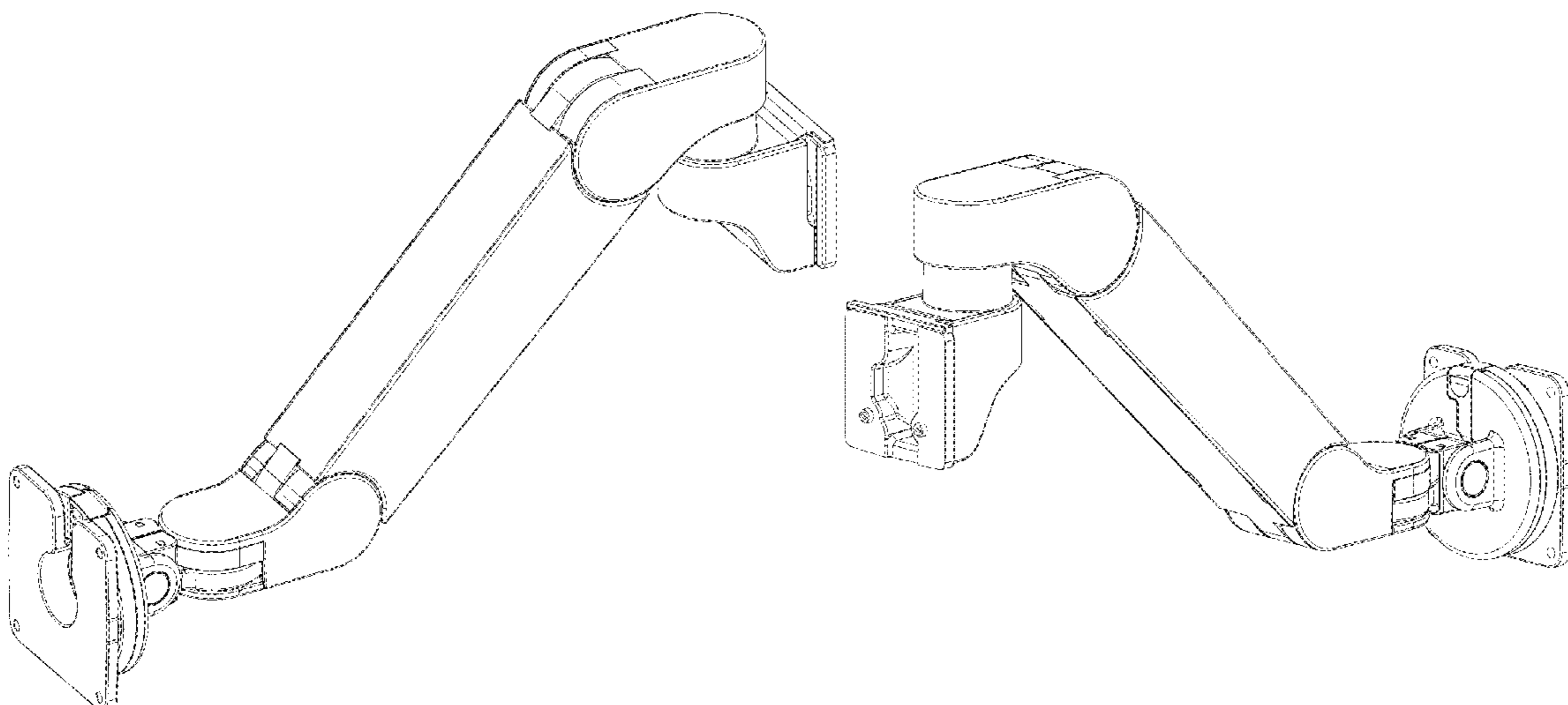
(57) **CLAIM**

The ornamental design for a support arm, as shown and described.

DESCRIPTION

FIG. 1 is a front perspective view of a support arm, showing our new design in a lower position;
FIG. 2 is a rear perspective view thereof;
FIG. 3 is a top plan view thereof;
FIG. 4 is a right side view thereof;
FIG. 5 is a front view thereof;
FIG. 6 is a left side view thereof;
FIG. 7 is a bottom plan view thereof;
FIG. 8 is a front perspective view of the support arm, showing our new design in an upper position;
FIG. 9 is a rear perspective view thereof;
FIG. 10 is a top plan view thereof;
FIG. 11 is a right side view thereof;
FIG. 12 is a front view thereof;
FIG. 13 is a left side view thereof;
FIG. 14 is a bottom plan view thereof;
FIG. 15 is a front perspective view of the support arm, showing our new design in a horizontal position;
FIG. 16 is a rear perspective view thereof;
FIG. 17 is a top plan view thereof;
FIG. 18 is a right side view thereof;
FIG. 19 is a front view thereof;
FIG. 20 is a left side view thereof; and,
FIG. 21 is a bottom plan view thereof.
The wire frame lines shown throughout the views are intended to indicate surface contour.
The broken lines depict portions of the support arm that form no part of the claimed design.

1 Claim, 21 Drawing Sheets



(58) **Field of Classification Search**

CPC F16M 11/105; F16M 11/10; F16M 11/048;
F16M 11/12; F16M 13/022

See application file for complete search history.

(56) **References Cited**

U.S. PATENT DOCUMENTS

D537,323 S * 2/2007 Saez D14/452
7,753,329 B2 * 7/2010 Hanson B60J 3/0226
248/183.1
D627,474 S * 11/2010 Nordgren D14/452
D660,842 S * 5/2012 Kaluza D14/452
8,960,632 B2 * 2/2015 Fallows F16M 11/2092
248/276.1
D798,848 S * 10/2017 Frank D14/239
D805,085 S * 12/2017 Xiang D14/452
D830,371 S * 10/2018 Lau D14/452
2006/0060735 A1 * 3/2006 Oddsen, Jr. F16M 11/105
248/278.1
2006/0157627 A1 * 7/2006 Hung F16C 11/10
248/276.1
2018/0112820 A1 * 4/2018 Lau F16M 11/14

* cited by examiner

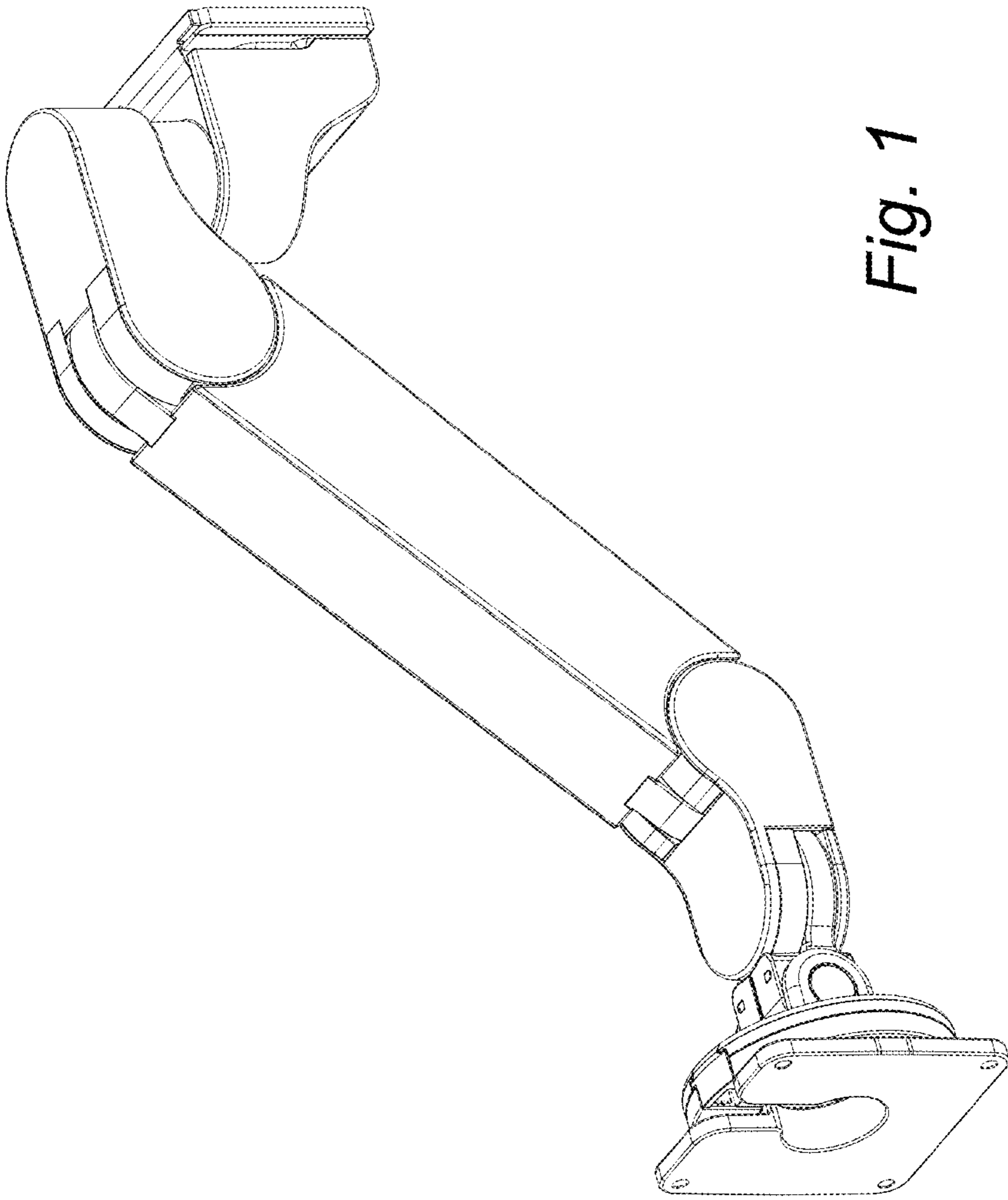


Fig. 1

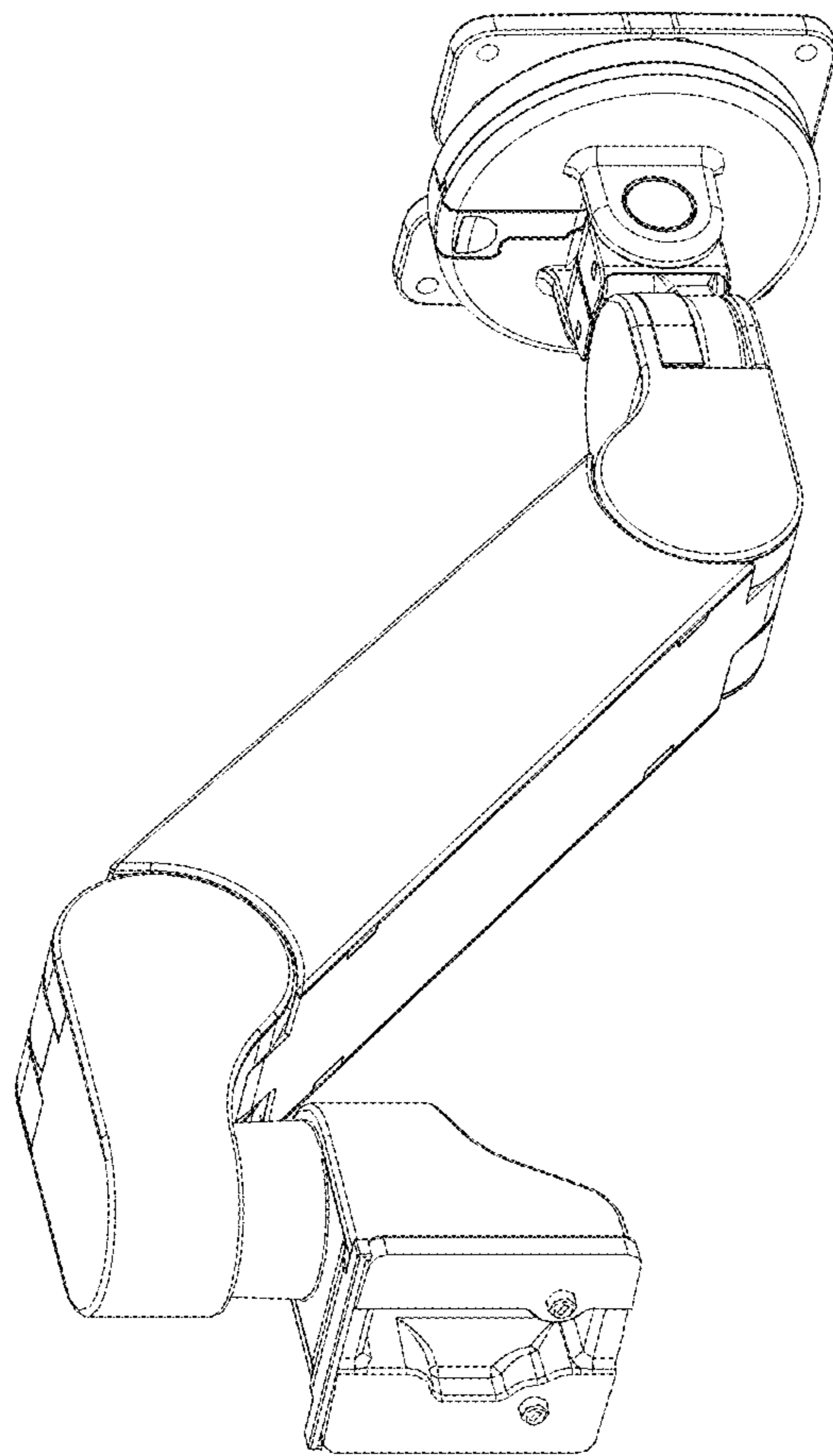


Fig. 2

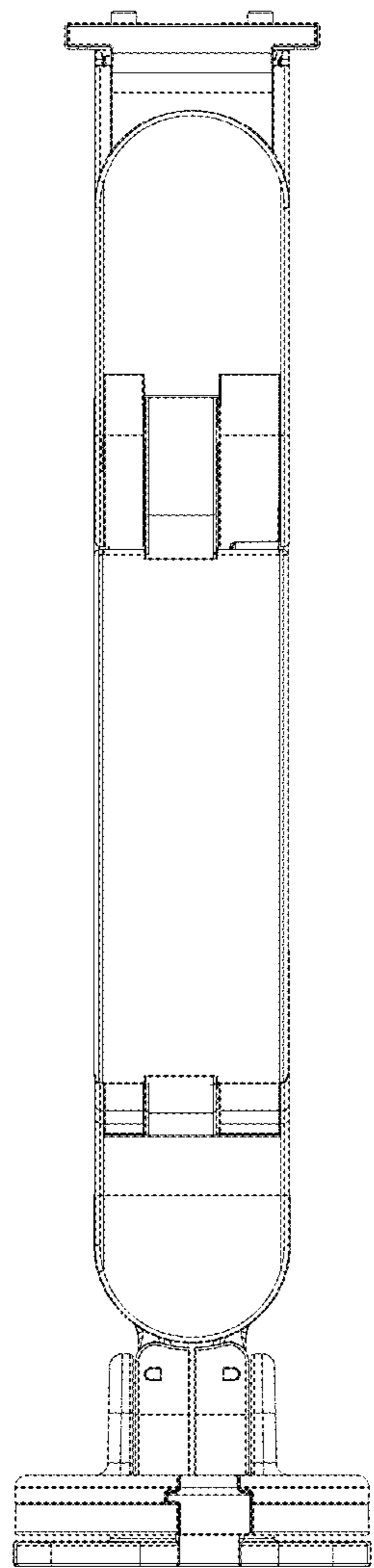


Fig. 3

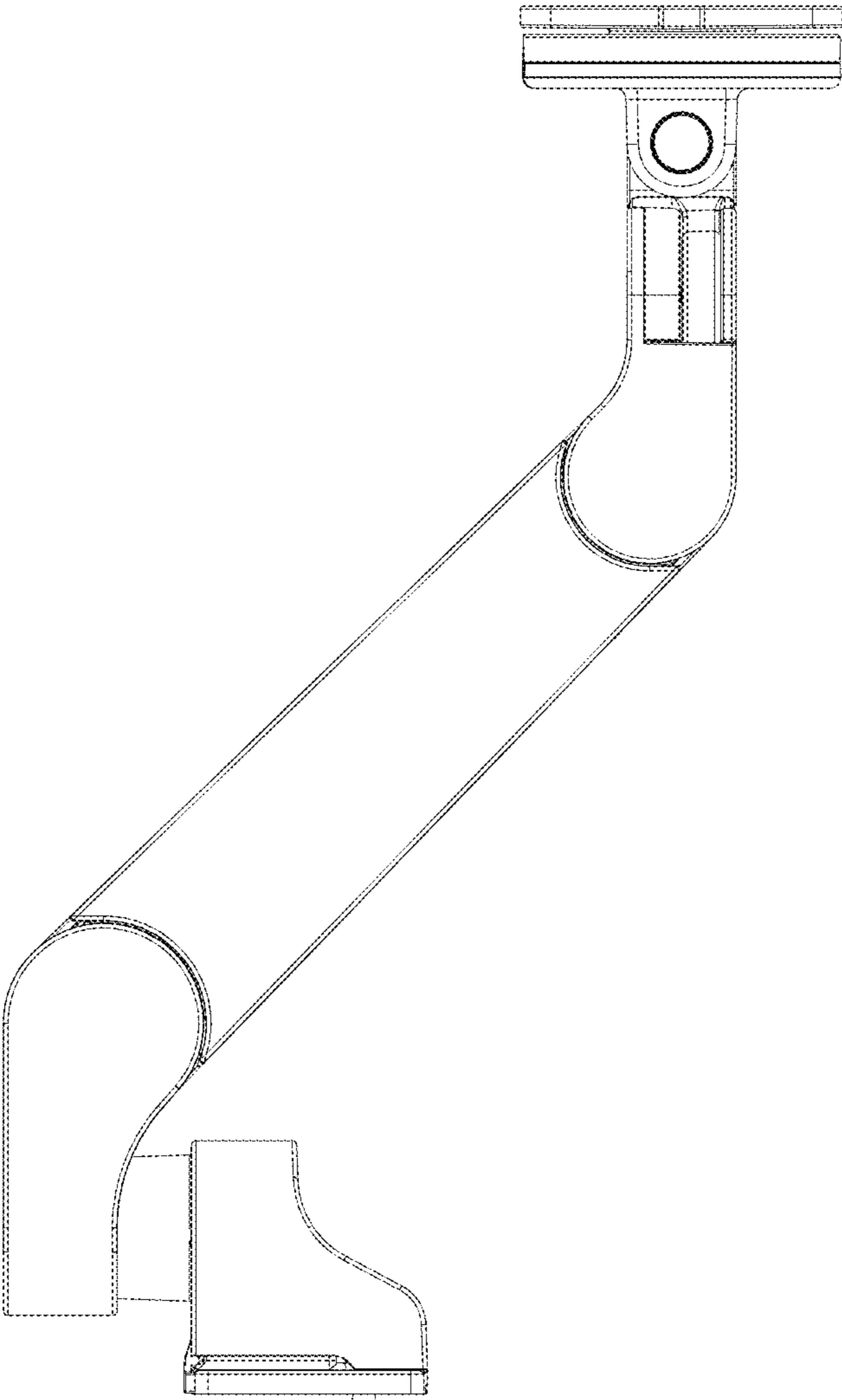


Fig. 4

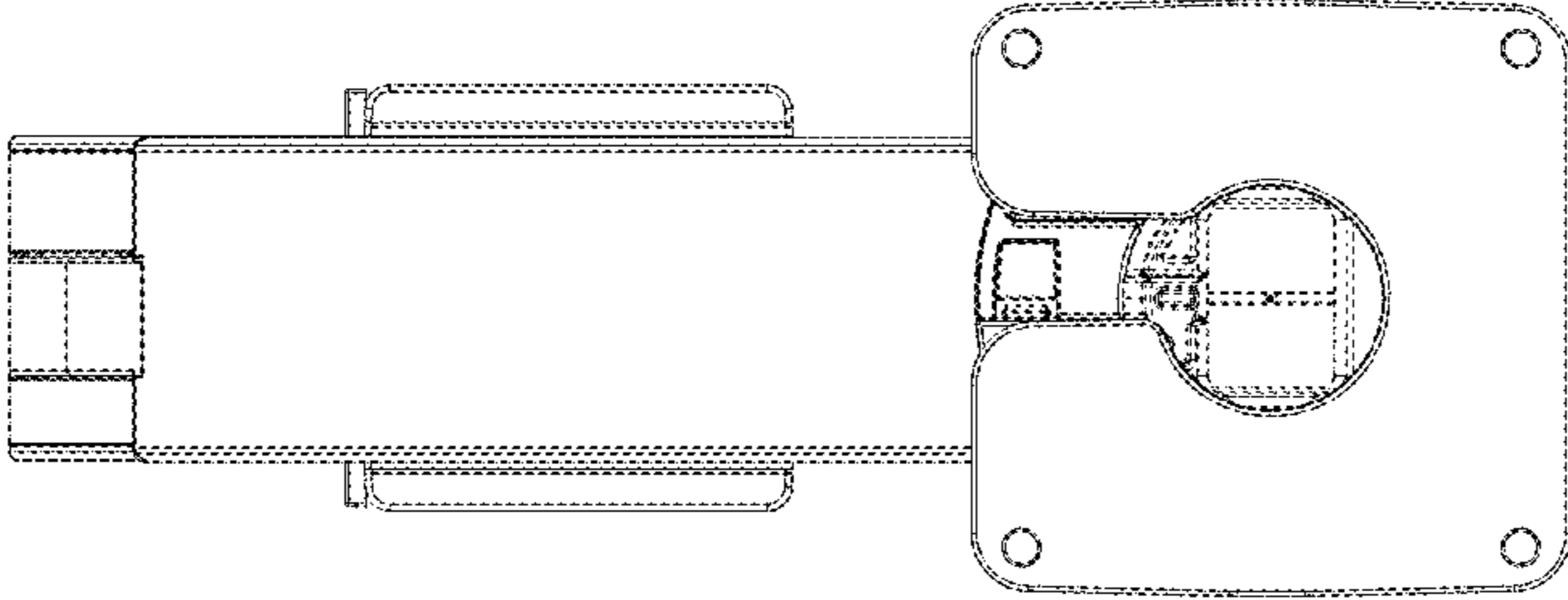


Fig. 5

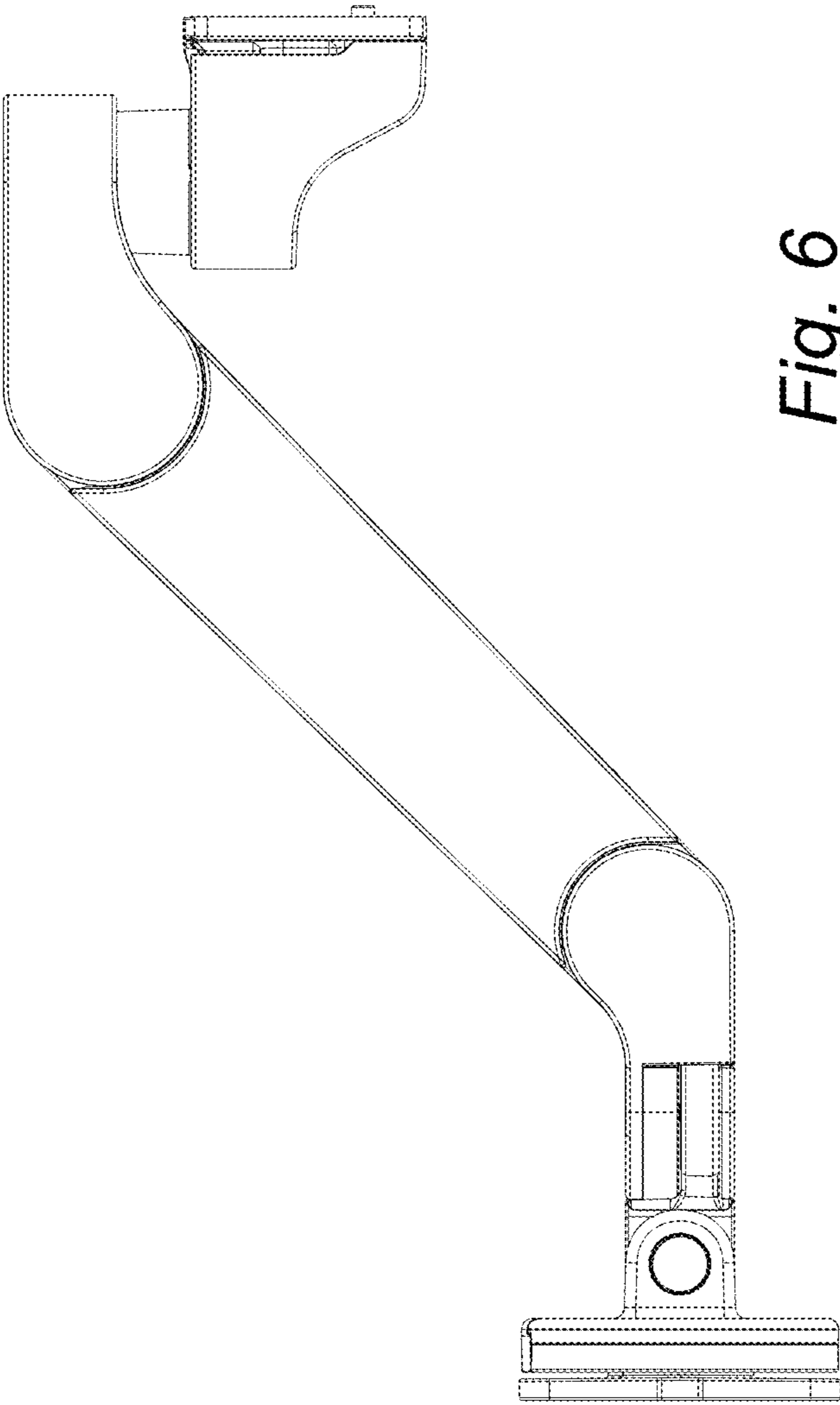


Fig. 6

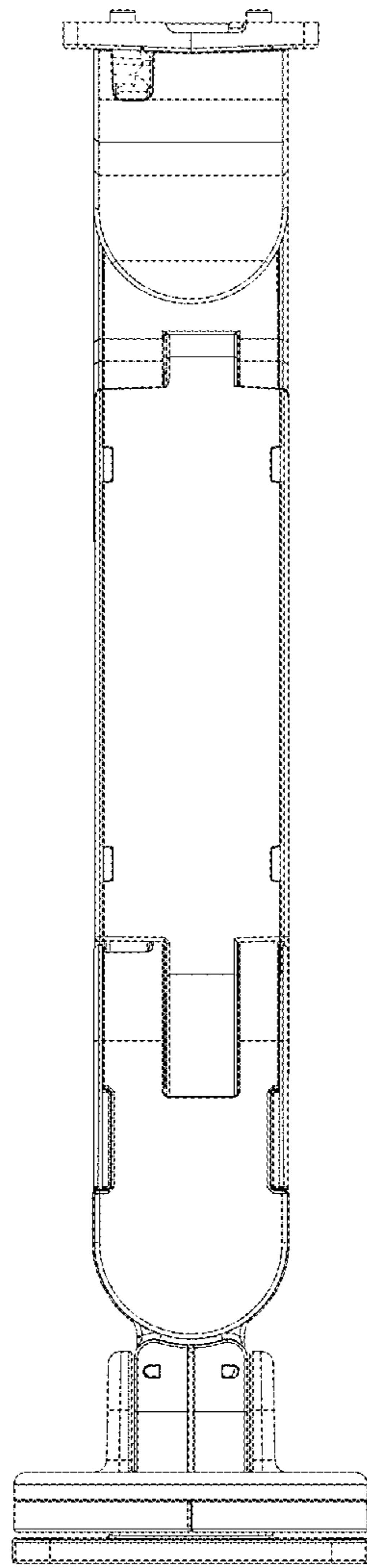


Fig. 7

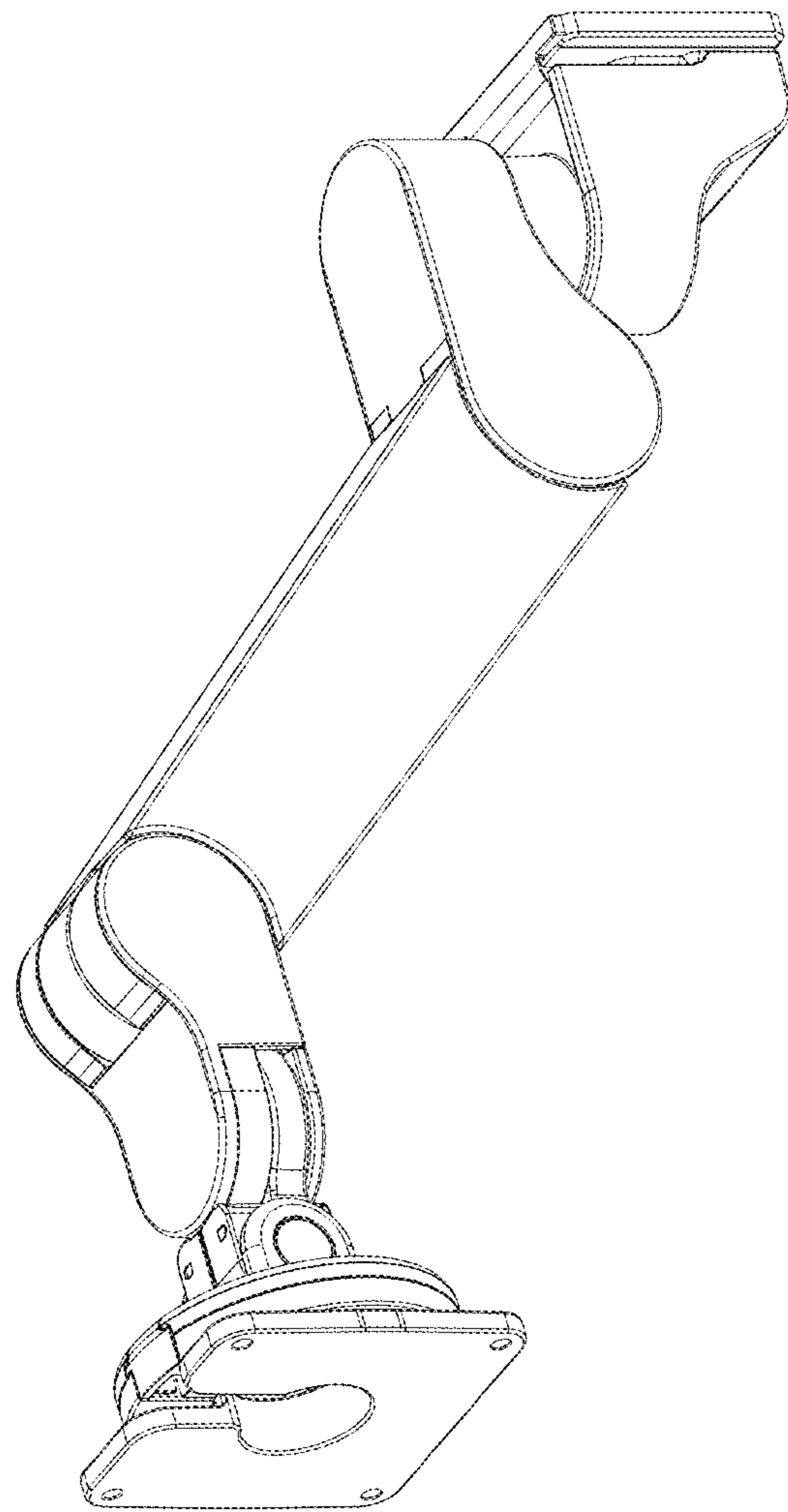


Fig. 8

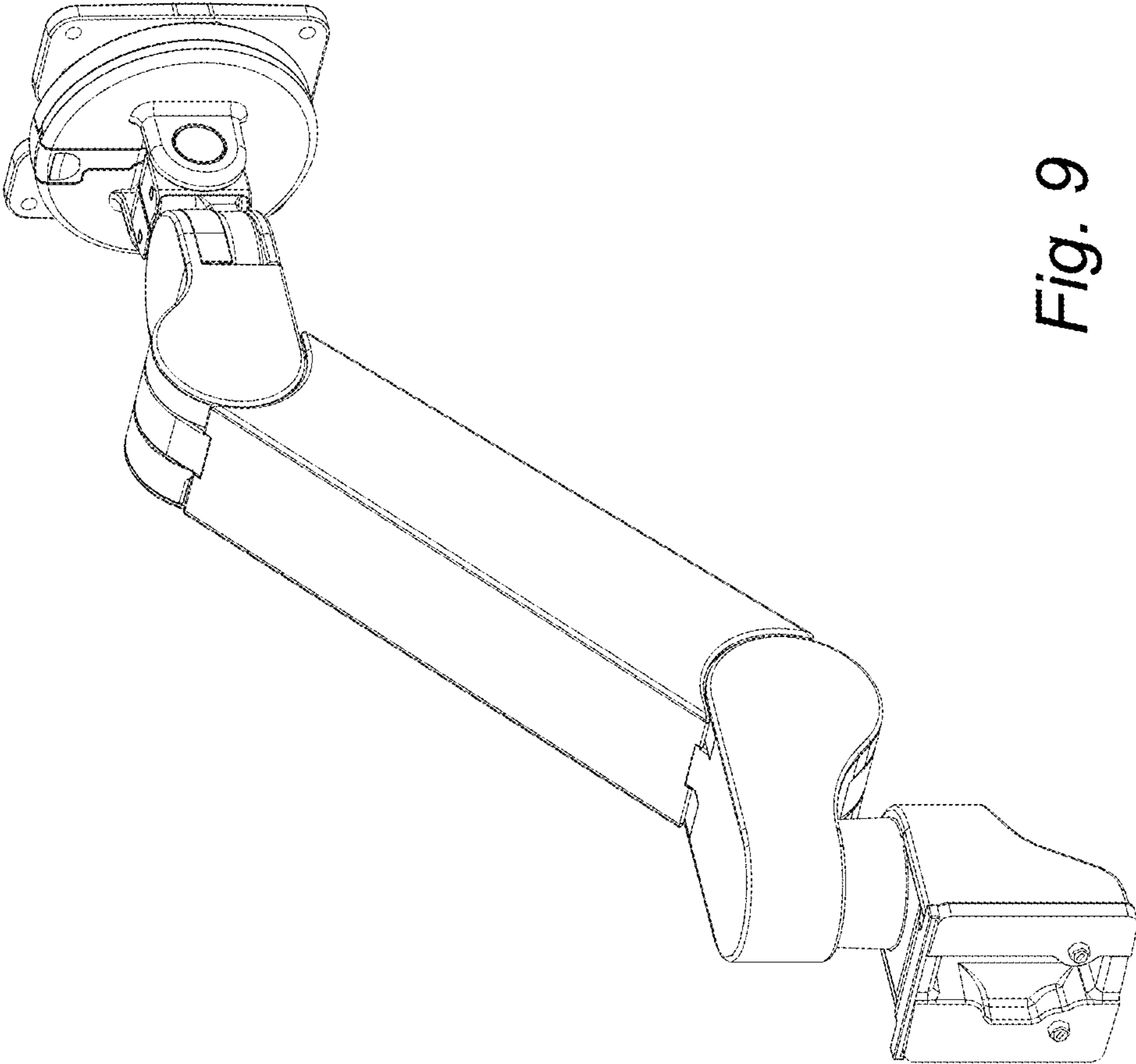


Fig. 9

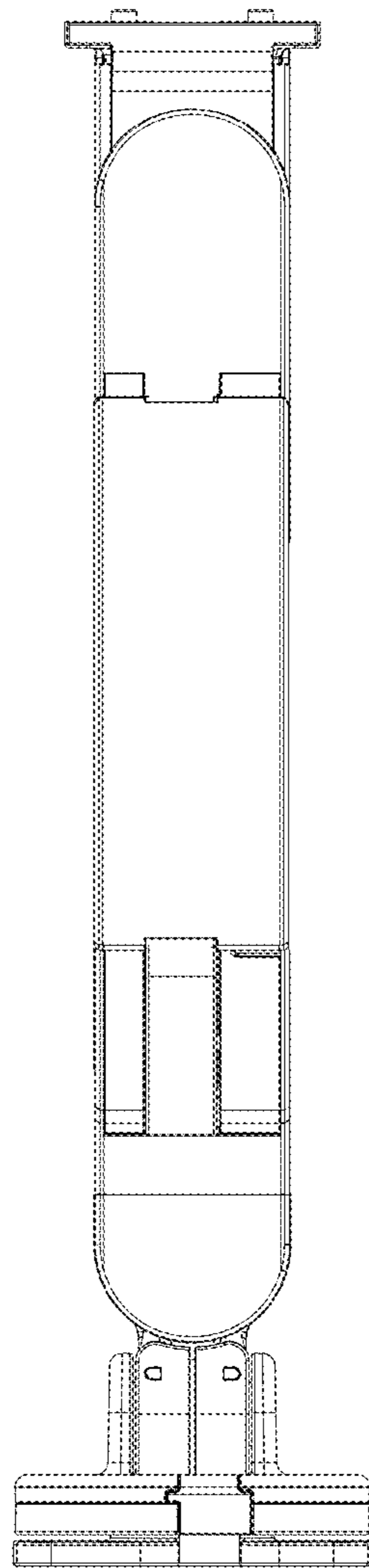


Fig. 10

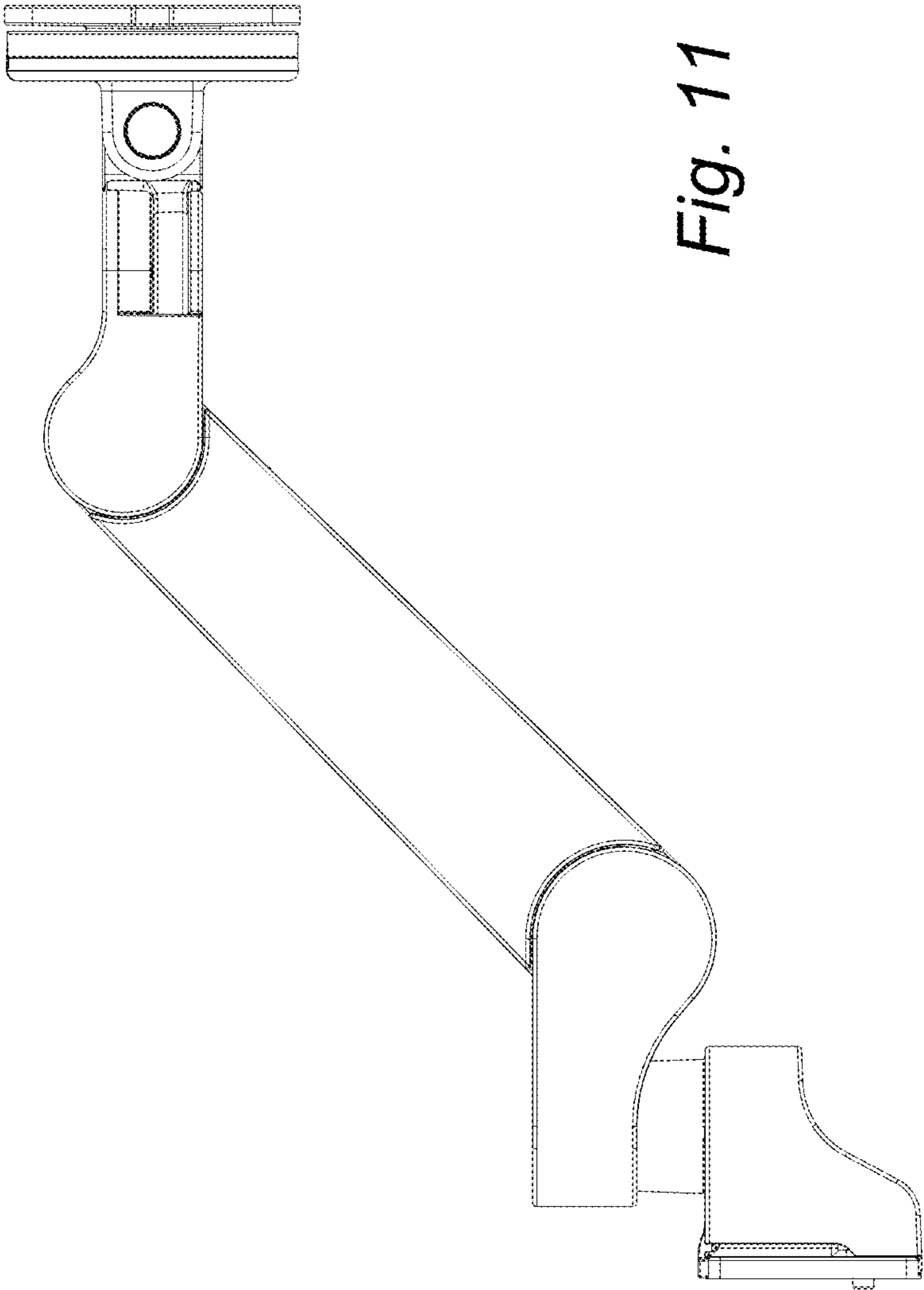


Fig. 11

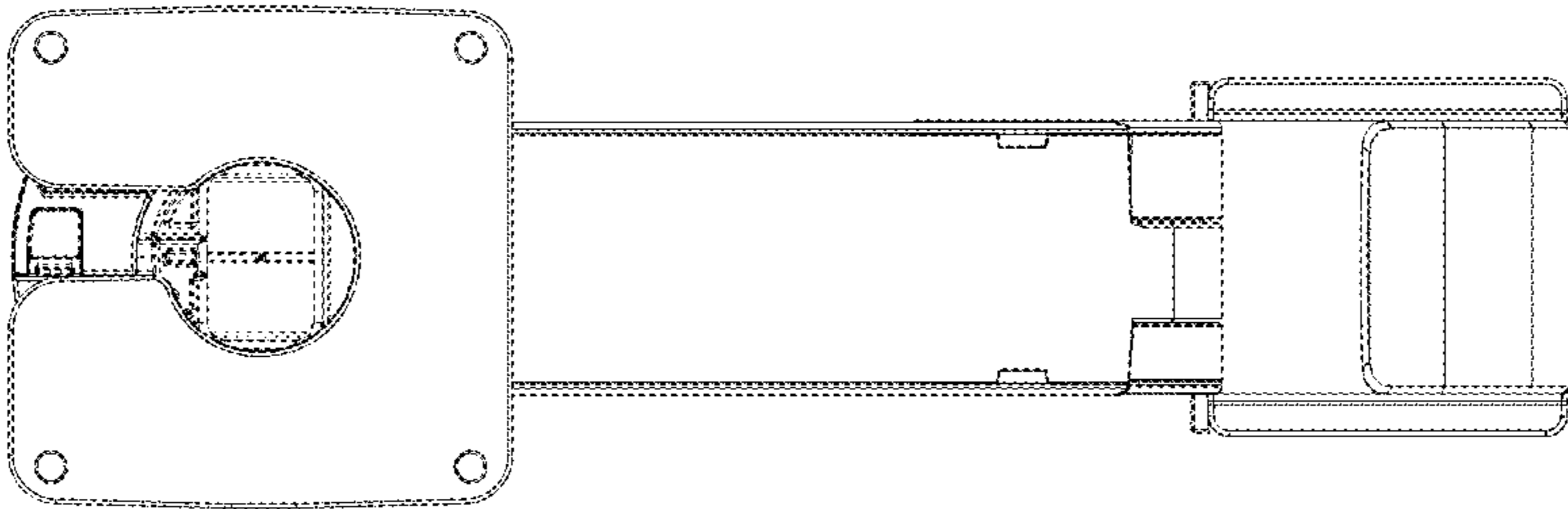


Fig. 12

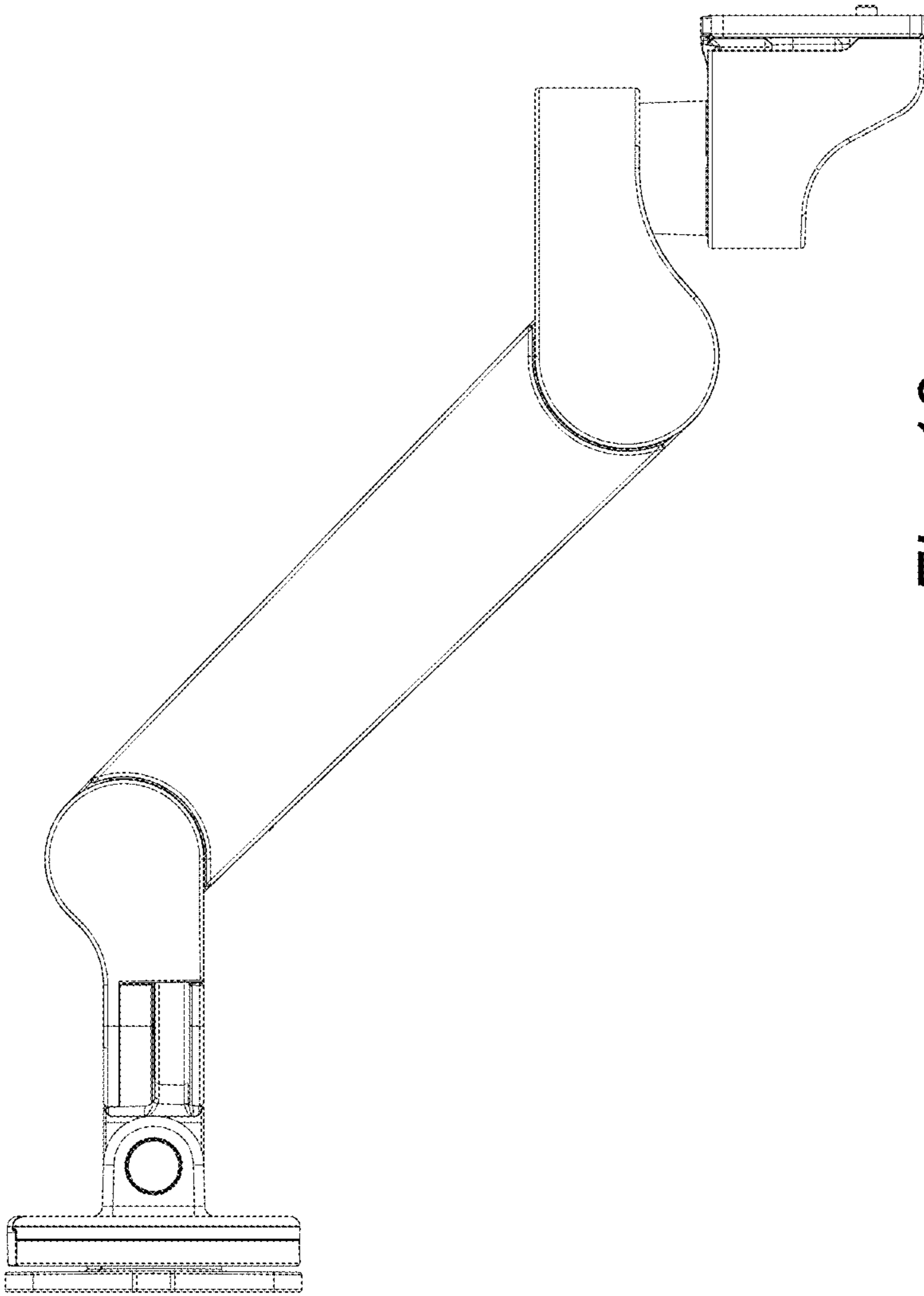


Fig. 13

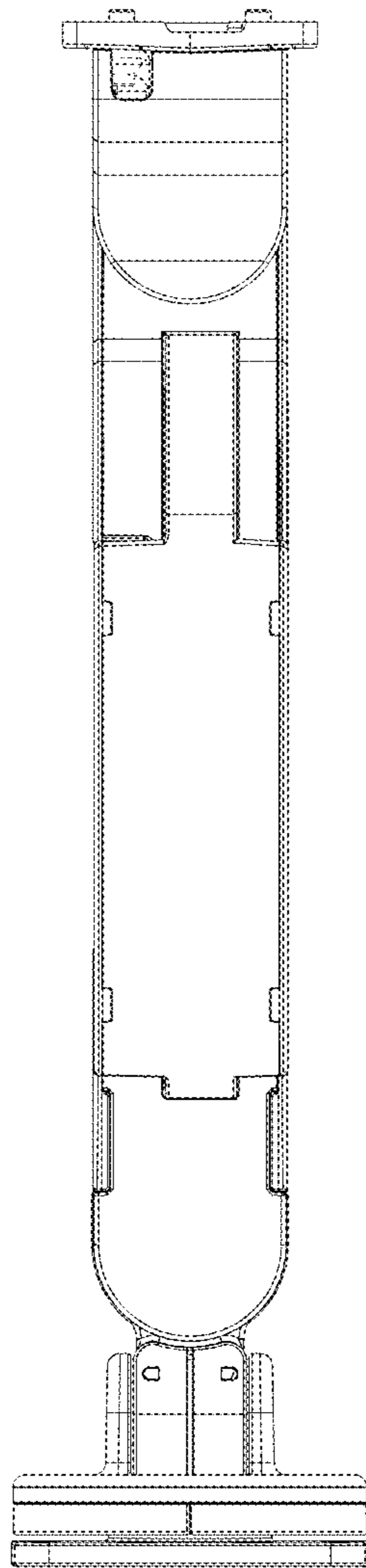


Fig. 14

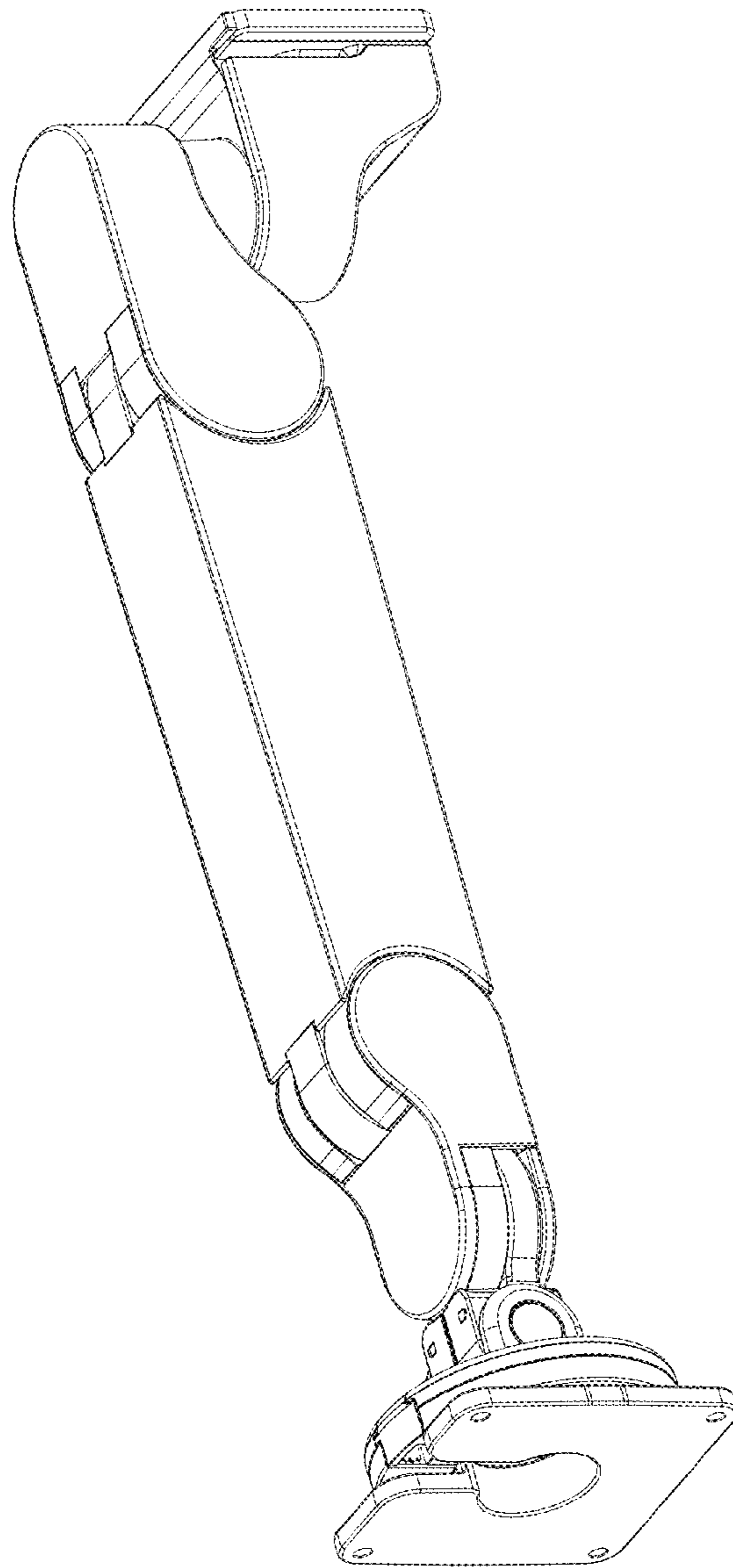


Fig. 15

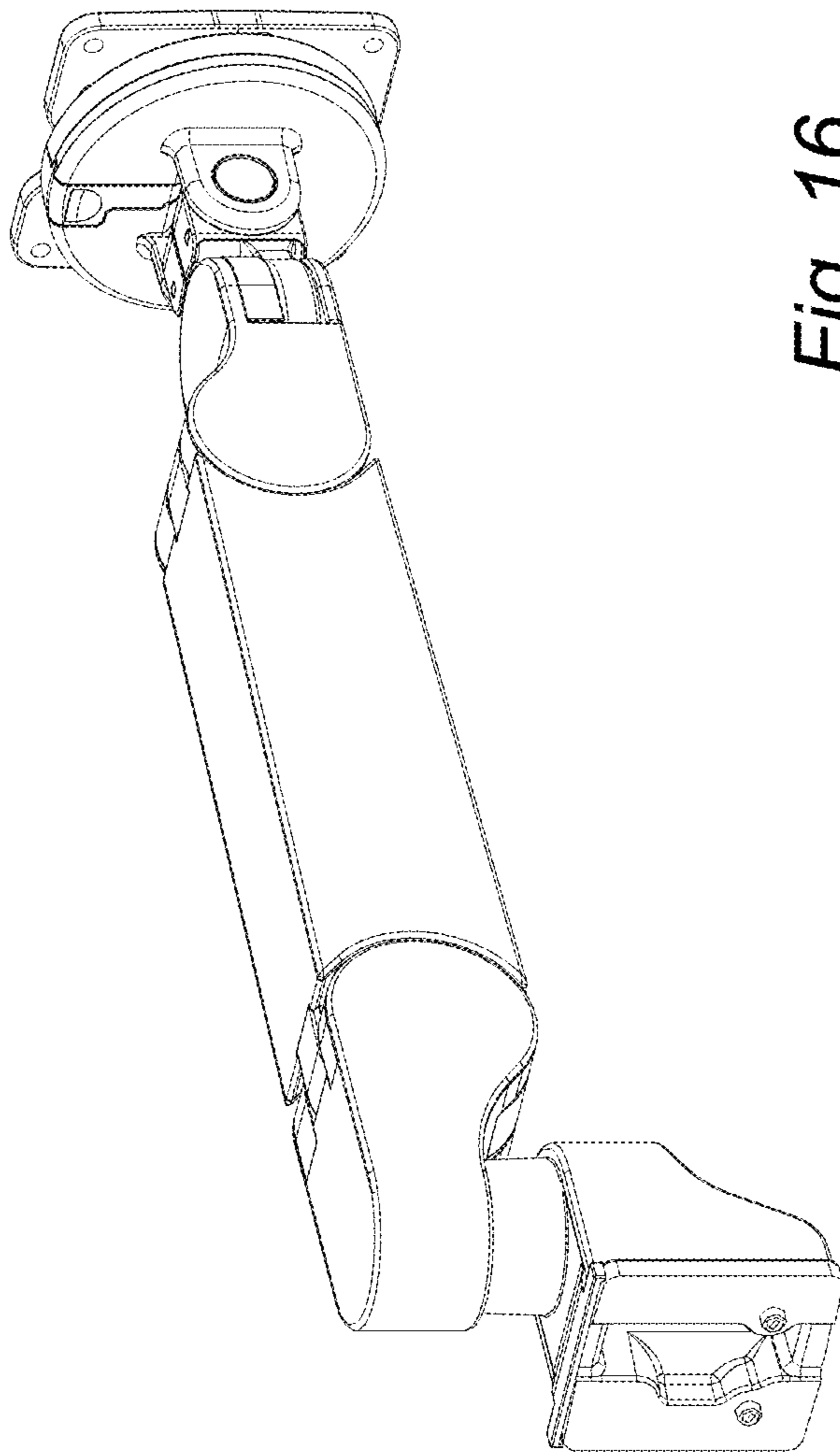


Fig. 16

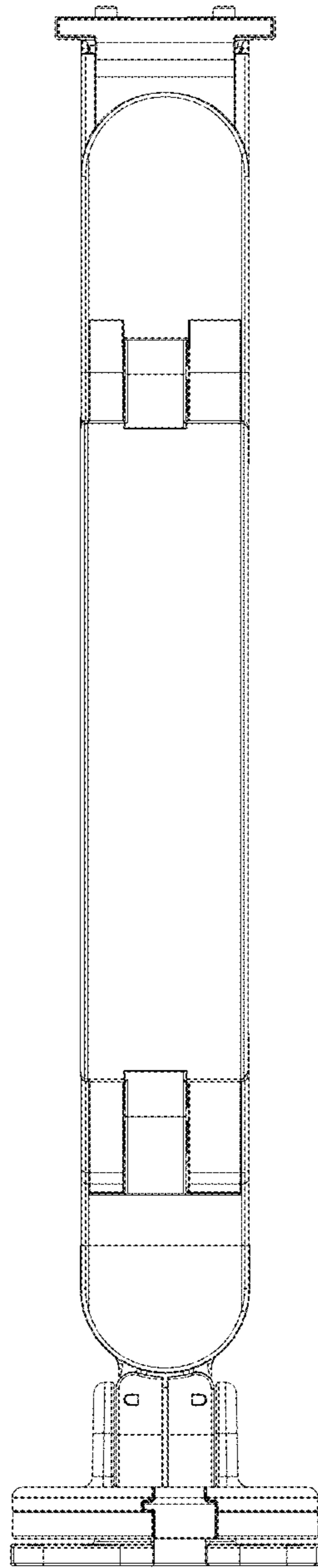


Fig. 17

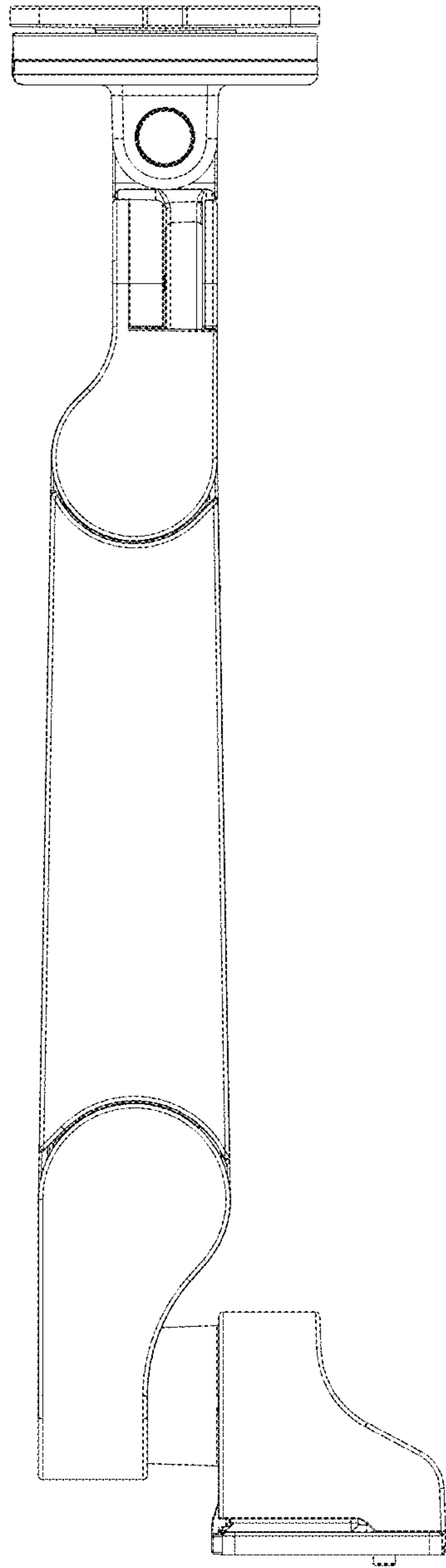


Fig. 18

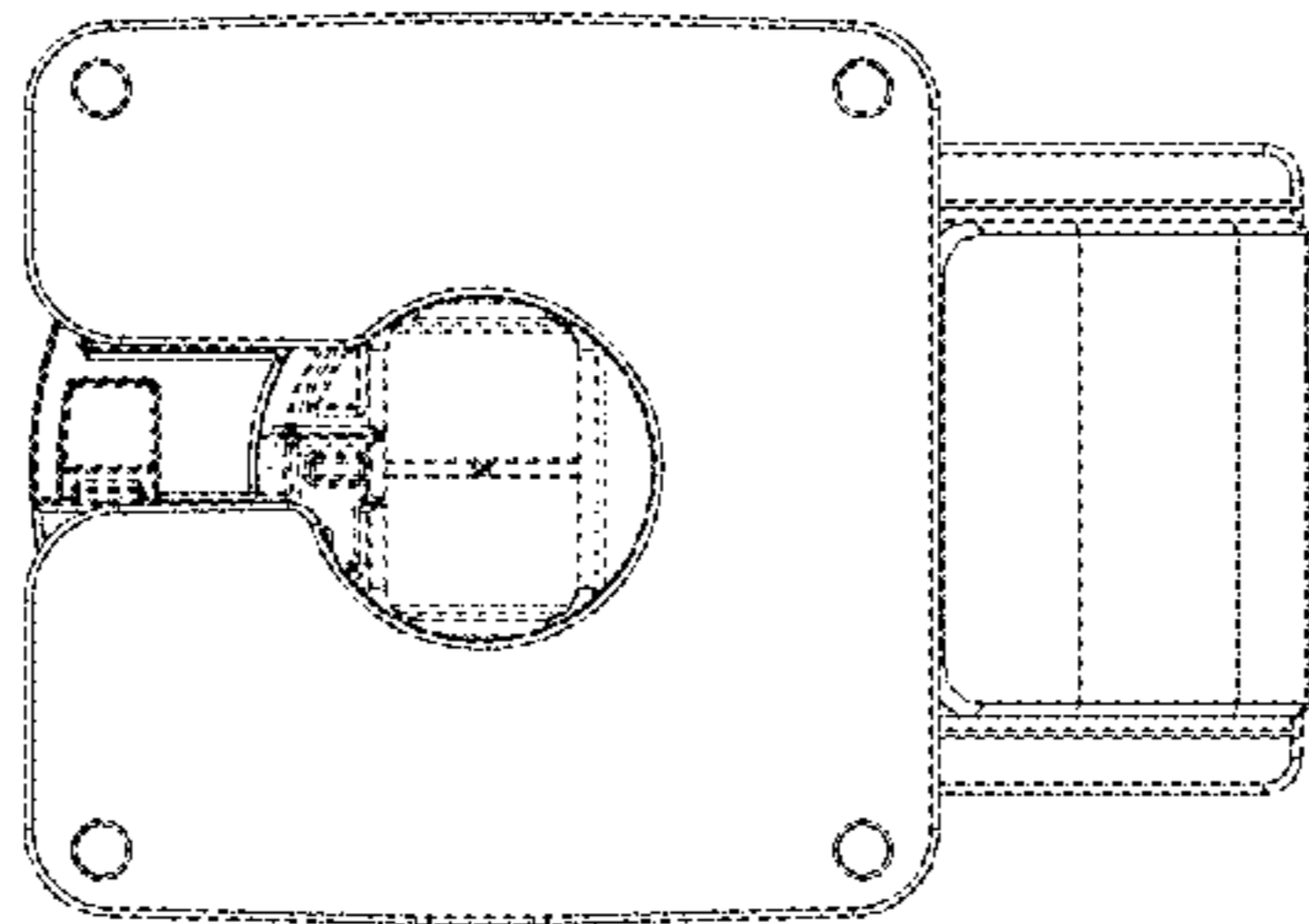


Fig. 19

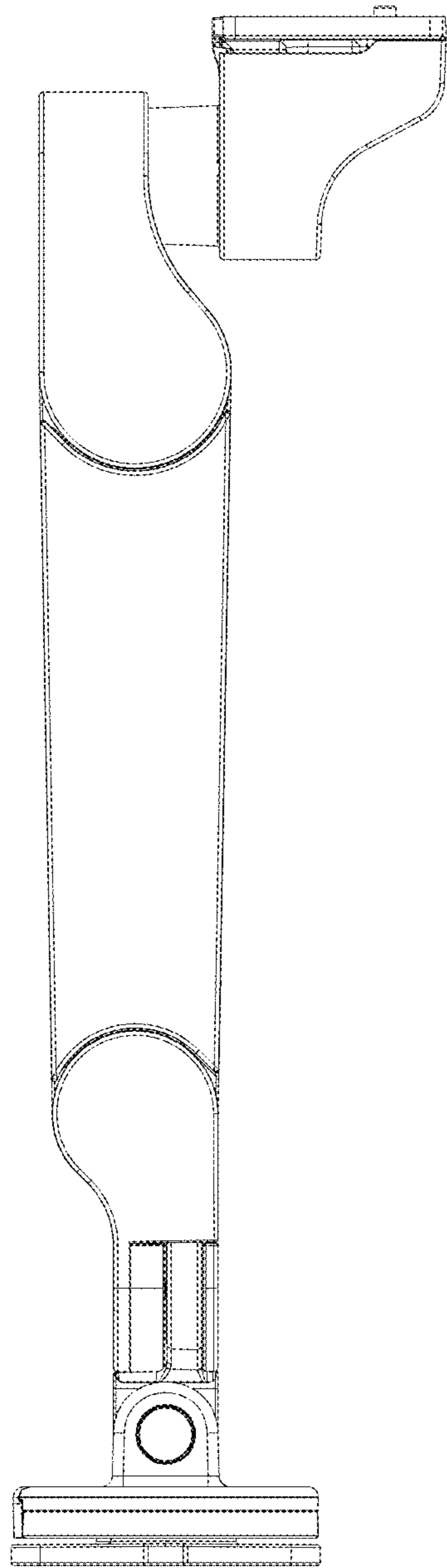


Fig. 20

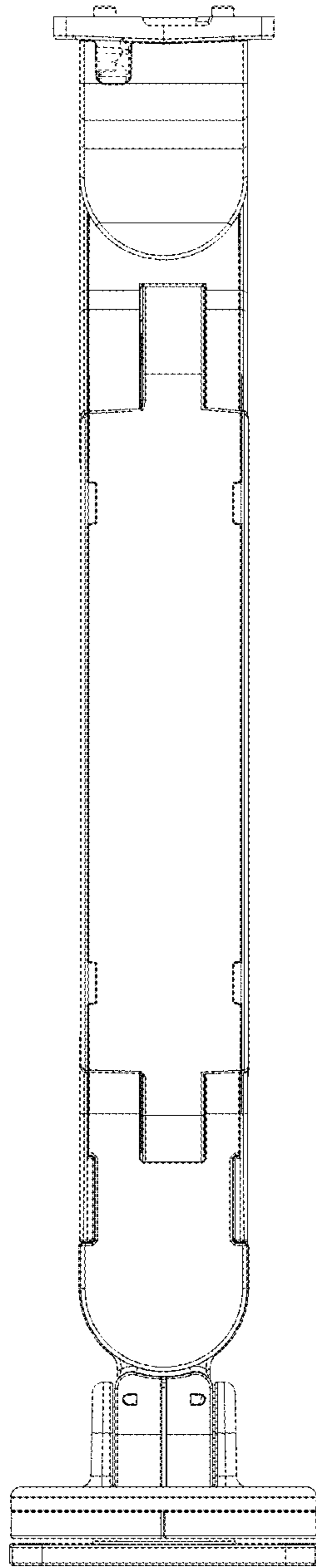


Fig. 21