



US00D870736S

(12) **United States Design Patent**
Lederer

(10) **Patent No.:** **US D870,736 S**

(45) **Date of Patent:** **** Dec. 24, 2019**

(54) **MOBILE DEVICE STAND**

(71) Applicant: **Broder Bros., Co.**, Trevose, PA (US)

(72) Inventor: **Jeffrey Lederer**, Greenwich, CT (US)

(73) Assignee: **Broder Bros., Co.**, Trevose, PA (US)

(**) Term: **15 Years**

(21) Appl. No.: **29/660,456**

(22) Filed: **Aug. 21, 2018**

(51) **LOC (12) Cl.** **08-07**

(52) **U.S. Cl.**
USPC **D14/447**

(58) **Field of Classification Search**
USPC D14/447, 432, 434, 439, 440, 451, 452,
D14/457, 239; D8/363, 373, 380;
D6/406.3, 406.4, 406.5, 406.6; D12/415
CPC A47B 21/04; A47B 2097/006; A47B
2097/005; A47B 2023/049; A45C
2011/002; A45C 2011/003; F16M
2200/00; F16M 13/00

See application file for complete search history.

(56) **References Cited**

U.S. PATENT DOCUMENTS

D589,964 S *	4/2009	Heggland	D14/434
D678,296 S *	3/2013	Lakraa	D14/447
D690,306 S *	9/2013	Malisse	D14/447
8,560,031 B2	10/2013	Barnett et al.		
D733,156 S *	6/2015	Choi	D14/447
D733,157 S *	6/2015	Kim	D14/447
D749,080 S *	2/2016	Su	D14/447
D752,054 S *	3/2016	Baumann	D14/447
D768,635 S *	10/2016	Due	D14/432
D797,749 S *	9/2017	Awad	D14/447
D799,468 S *	10/2017	Chen	D14/253

D824,913 S *	8/2018	Bidwell	D14/447
D833,446 S *	11/2018	Elder	D14/447
D834,028 S *	11/2018	Wu	D14/447

* cited by examiner

Primary Examiner — Angela J Lee

(74) *Attorney, Agent, or Firm* — Myers Wolin, LLC

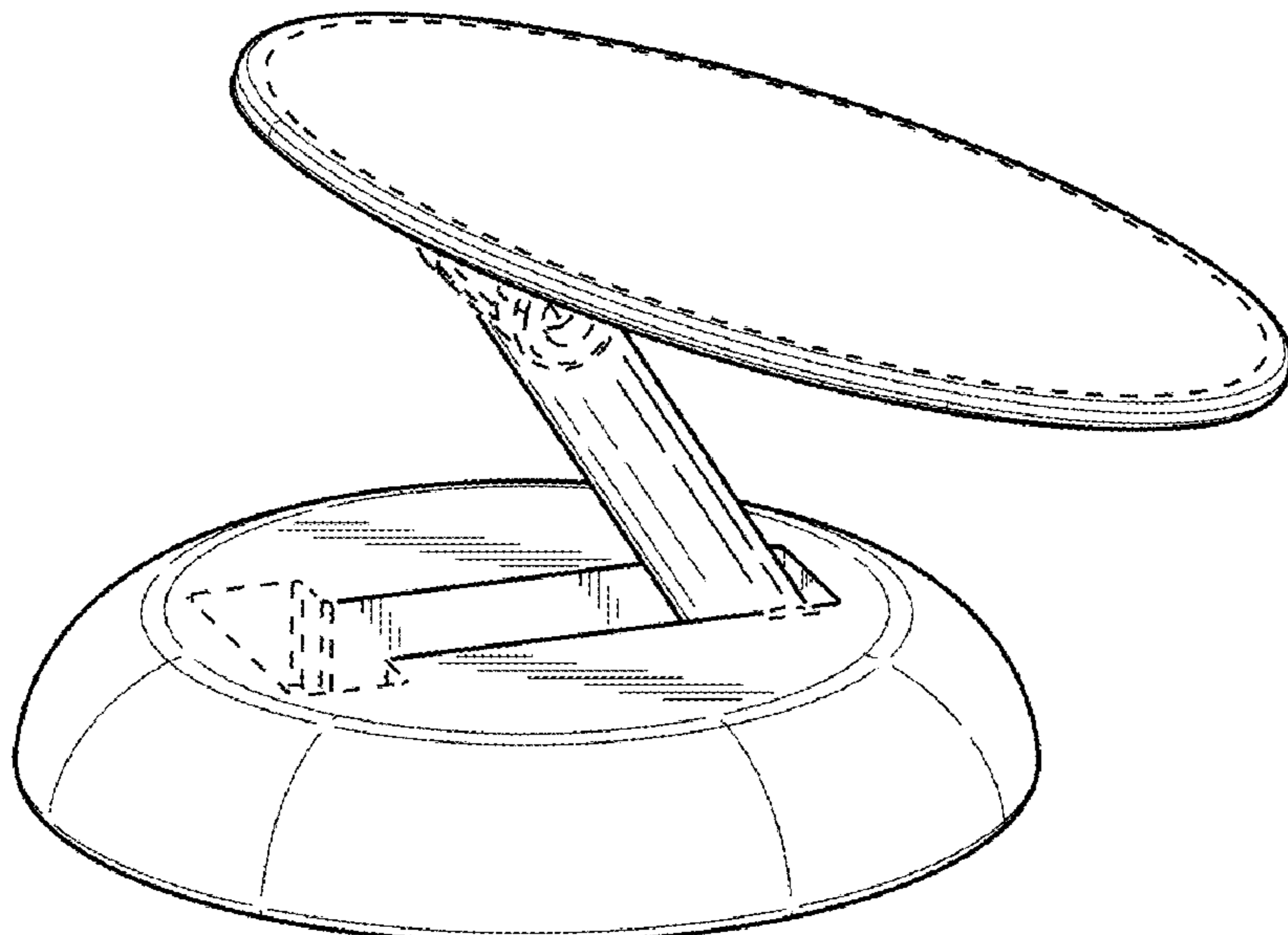
(57) **CLAIM**

The ornamental design for a mobile device stand, as shown and described.

DESCRIPTION

FIG. 1 is an upper perspective view of one embodiment of a mobile device stand showing my new design;
 FIG. 2 is an upper perspective view thereof taken from a different orientation;
 FIG. 3 is a lower perspective view thereof;
 FIG. 4 is a lower perspective view thereof taken from a different orientation;
 FIG. 5 is a top plan view thereof;
 FIG. 6 is a front elevational view thereof, the rear, left and right side elevational views being identical;
 FIG. 7 is a bottom plan view thereof;
 FIG. 8 is a side elevational view thereof shown in a use condition;
 FIG. 9 is a side elevational view thereof shown in an alternate position;
 FIG. 10 is a lower perspective view thereof;
 FIG. 11 is an upper perspective view thereof;
 FIG. 12 is a side elevational view thereof shown in a use condition;
 FIG. 13 is a side elevational view thereof shown in an alternate position and a use condition; and,
 FIG. 14 is a side elevational view thereof shown in an alternate position and a use condition.
 The broken lines are for illustrative purposes only and form no part of the claimed design.

1 Claim, 6 Drawing Sheets



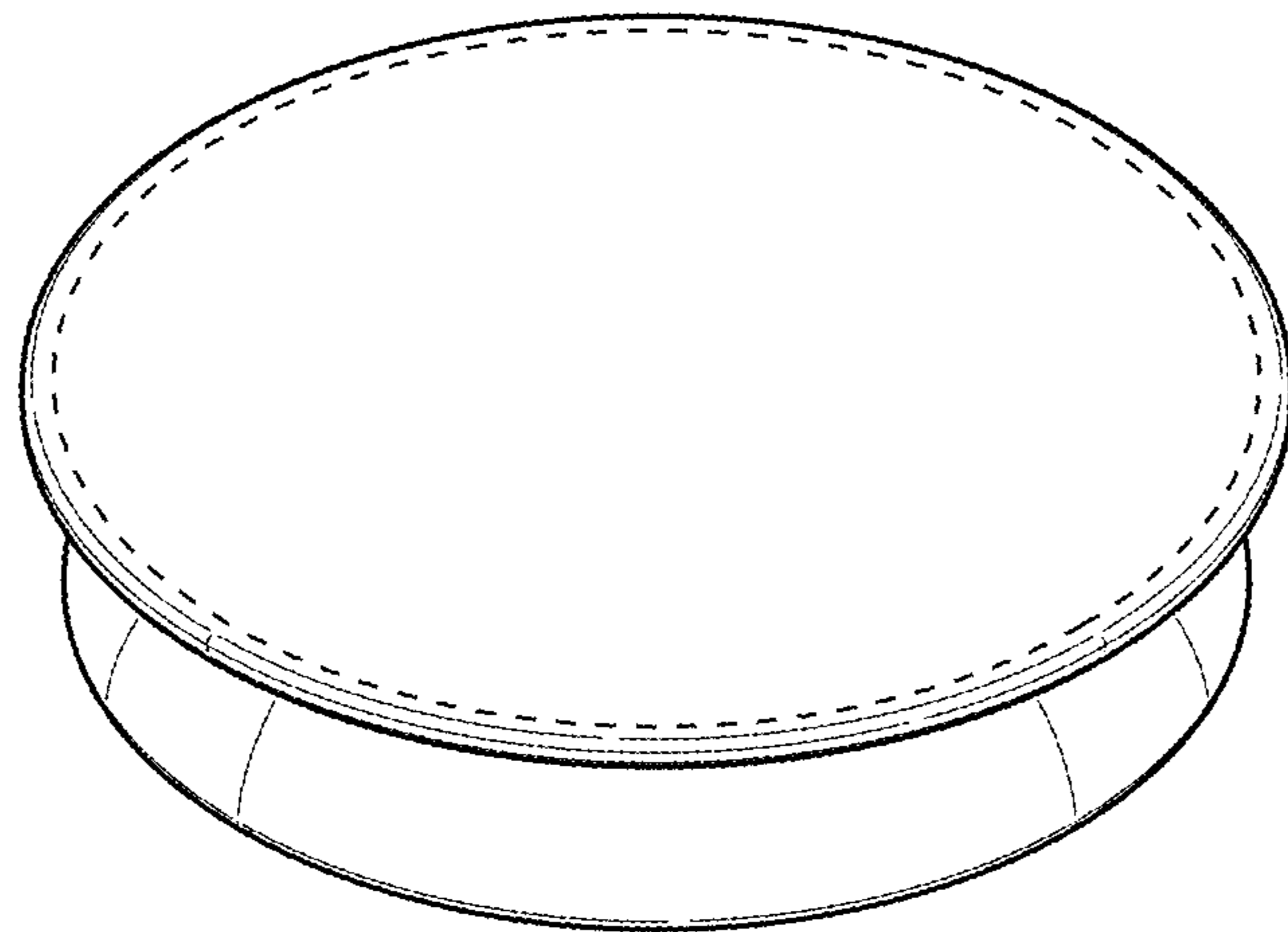


FIG. 1

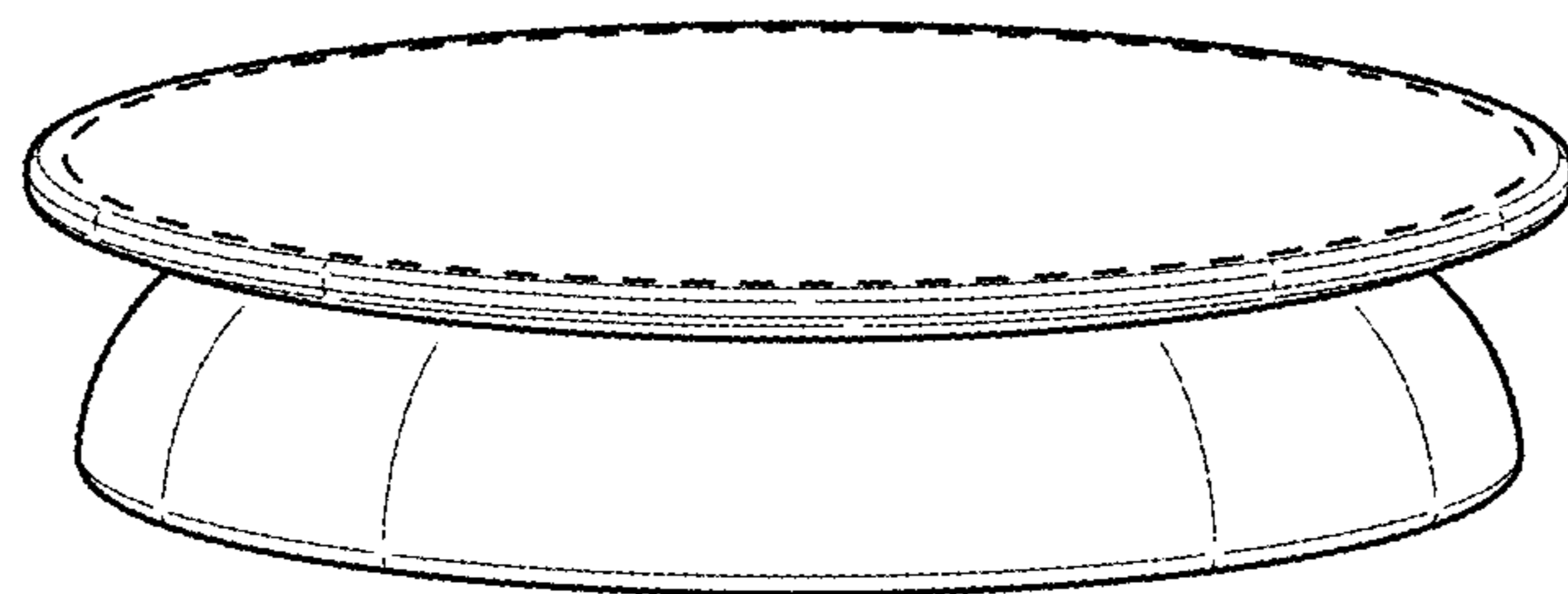


FIG. 2

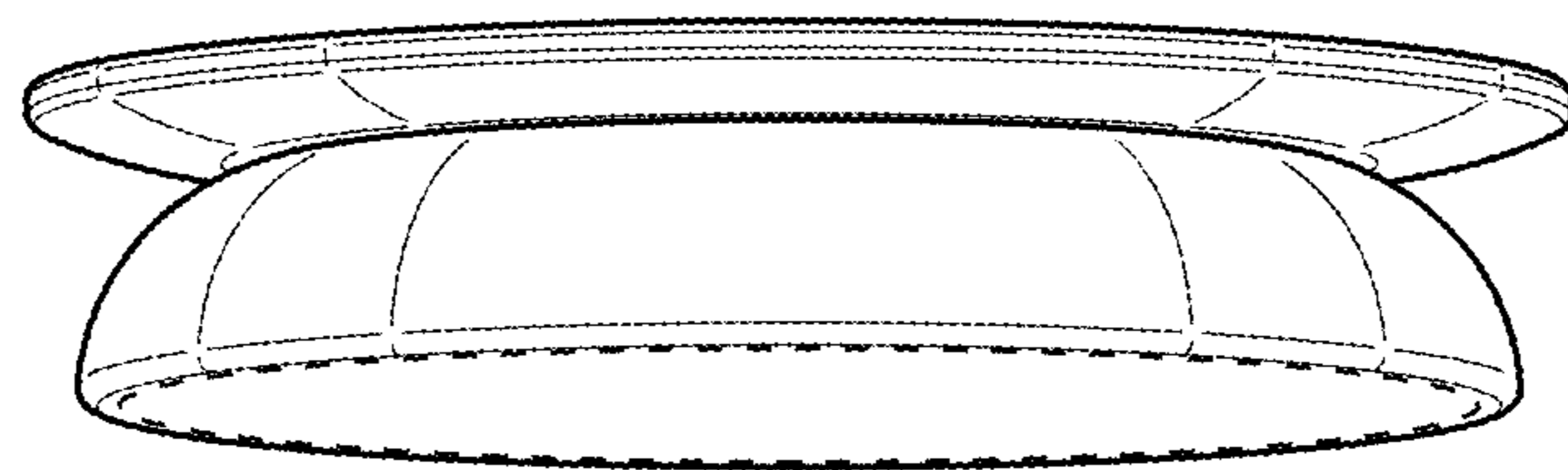


FIG. 3

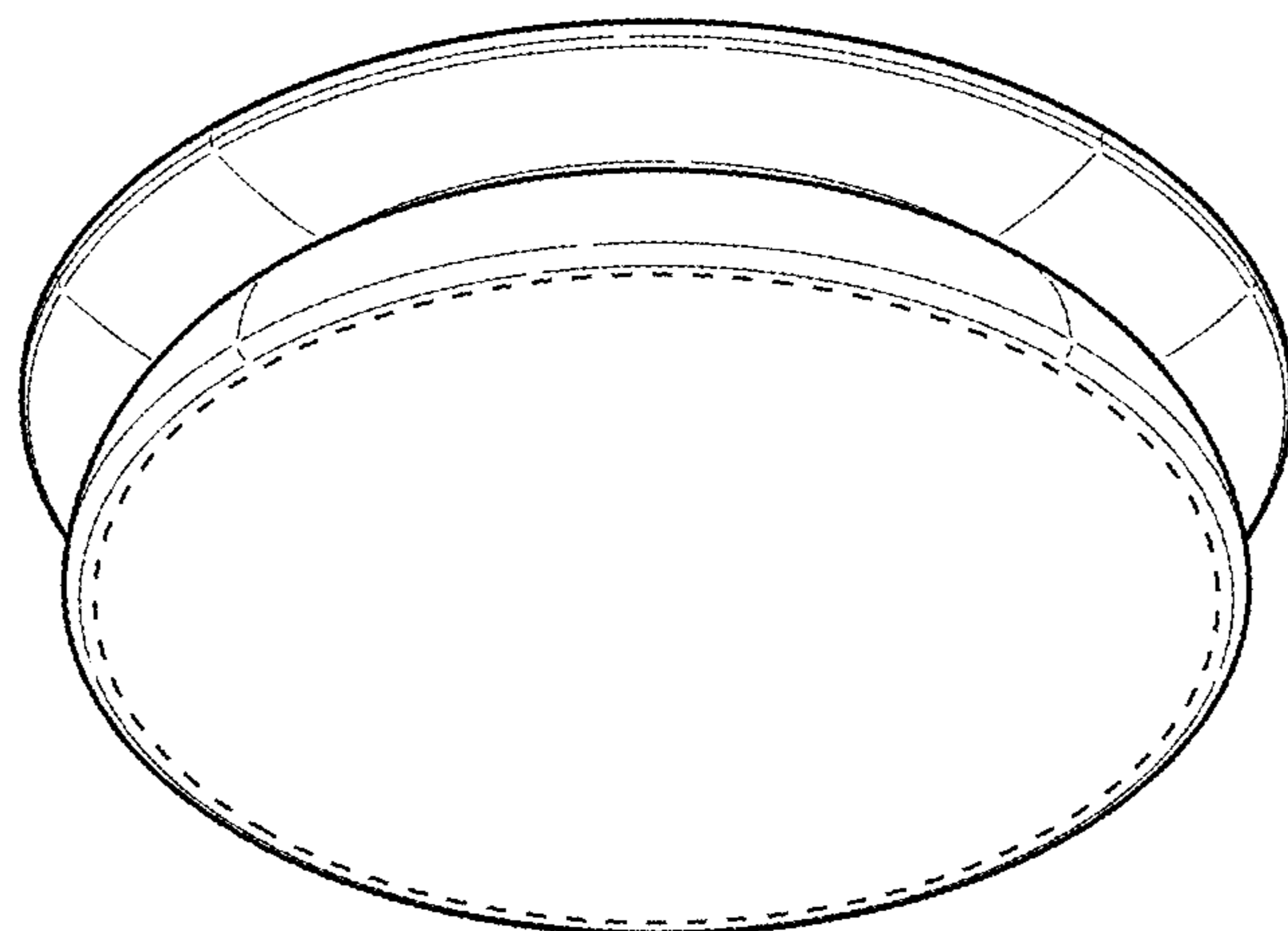


FIG. 4

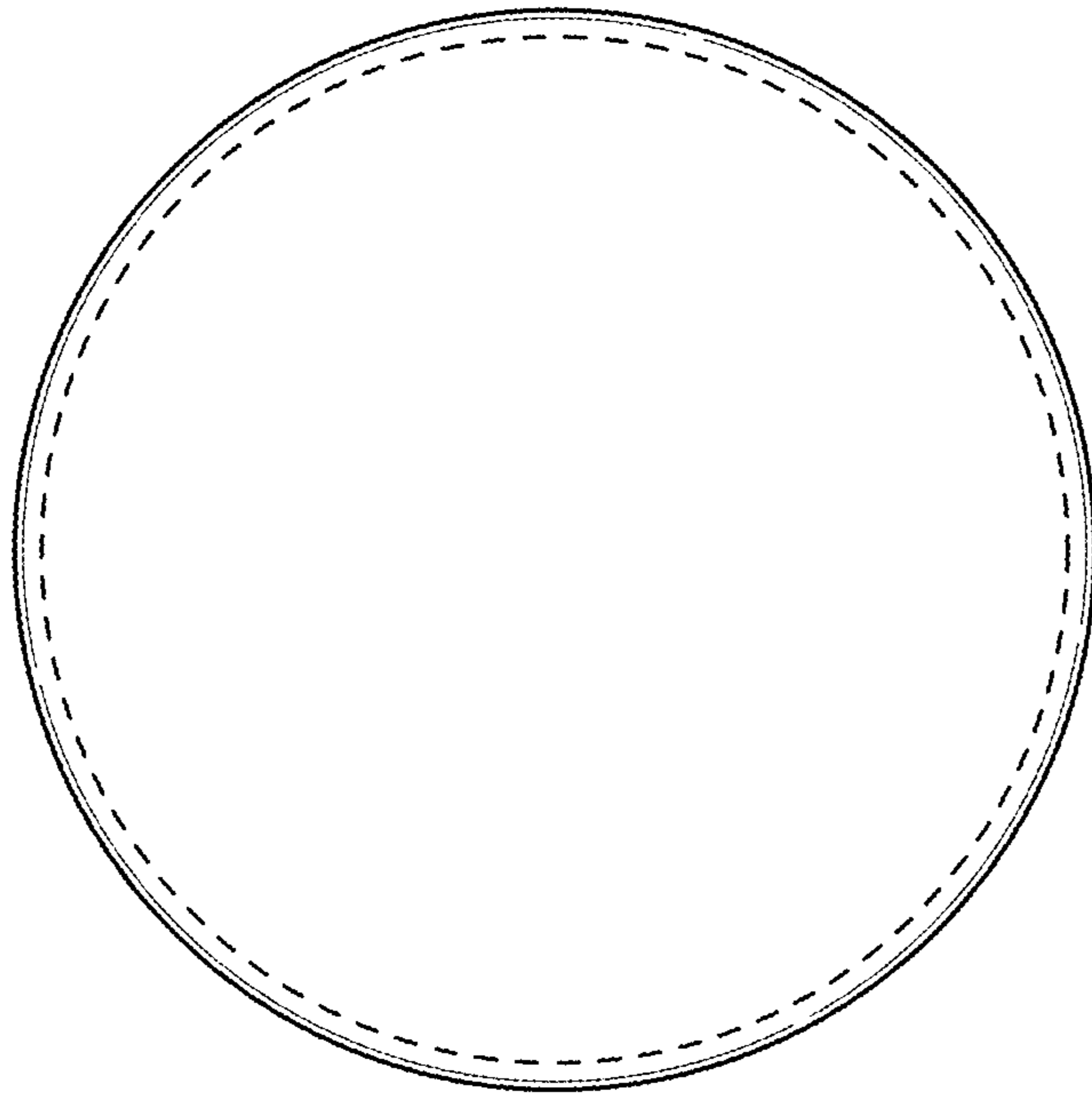


FIG. 5

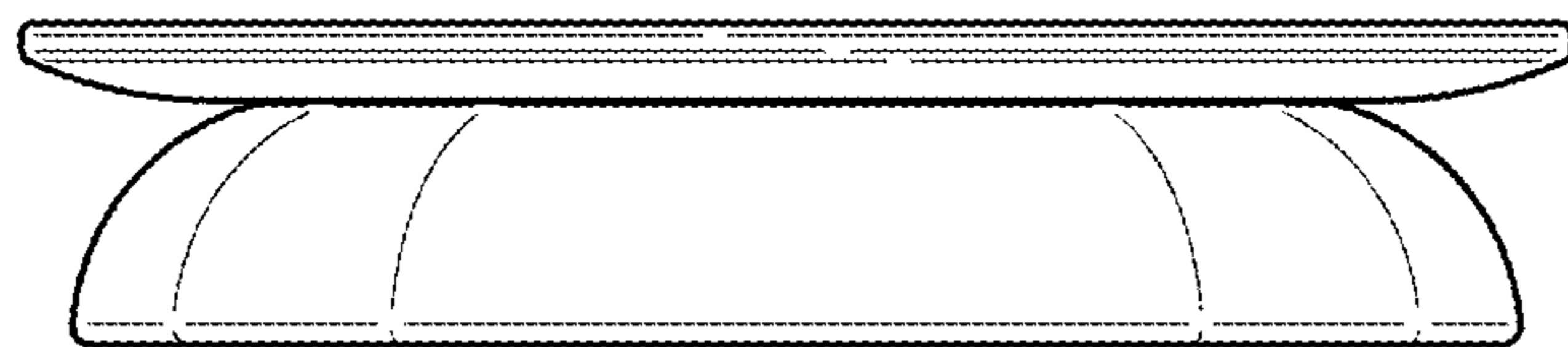


FIG. 6

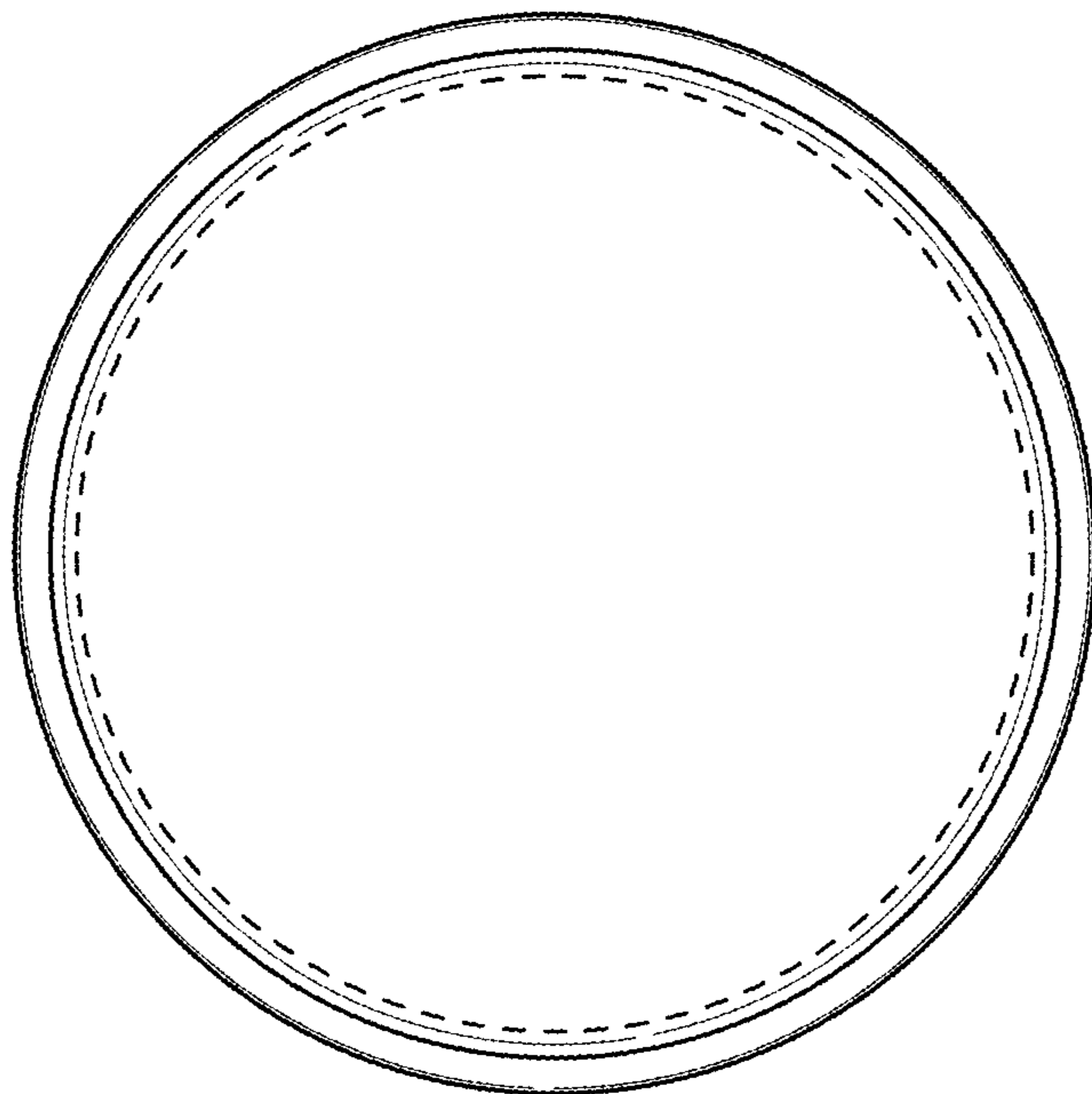


FIG. 7

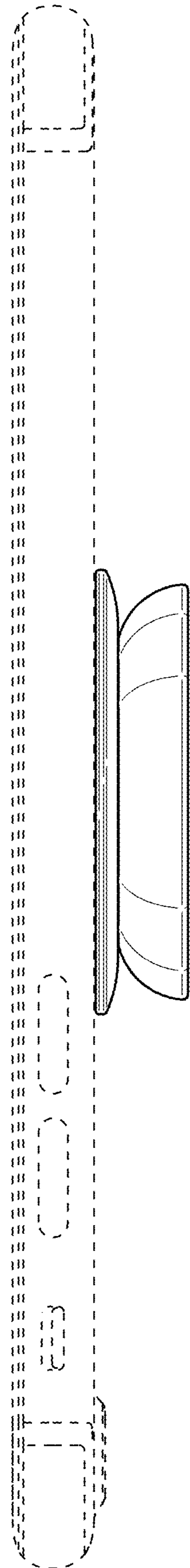


FIG. 8

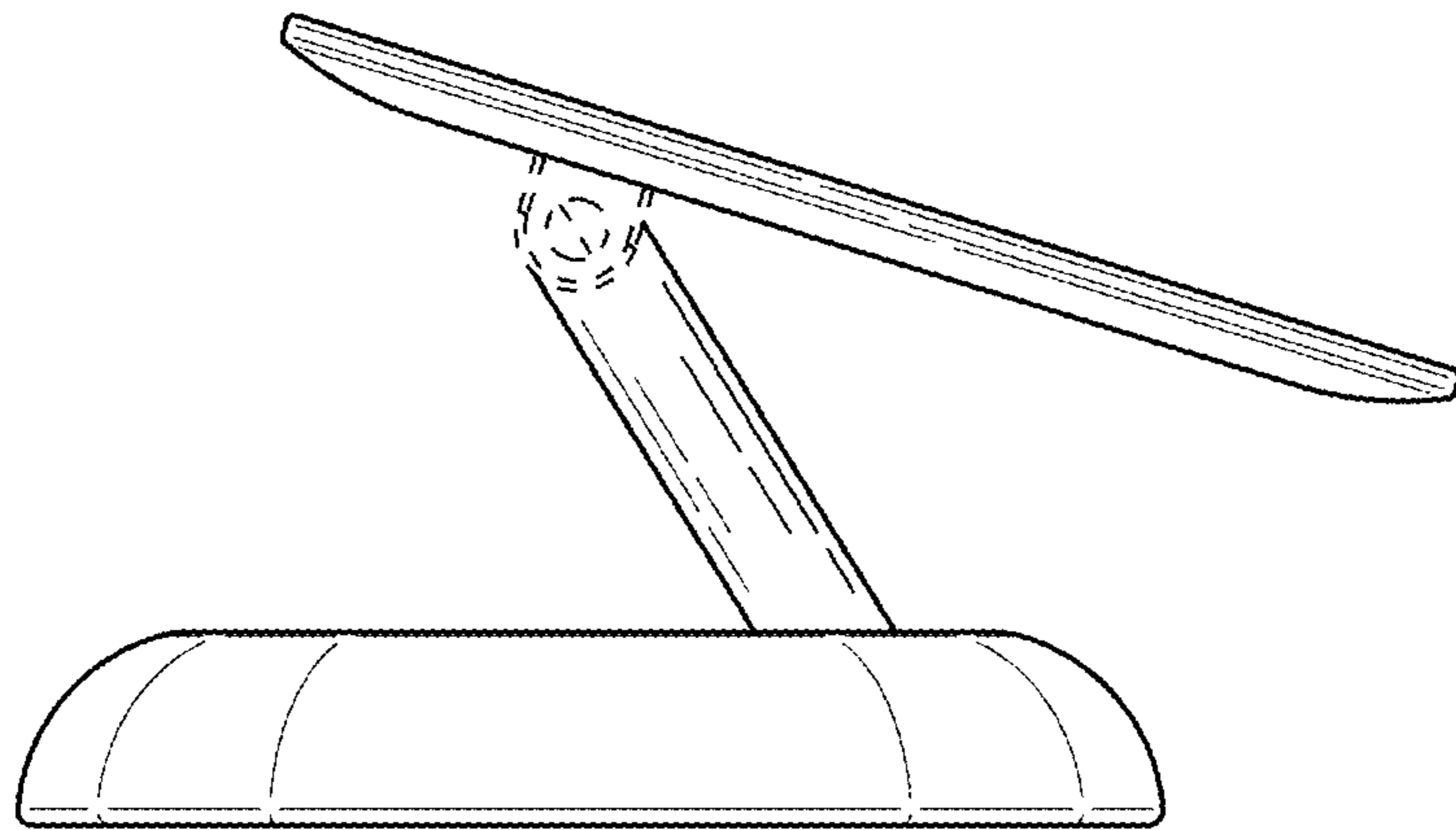


FIG. 9

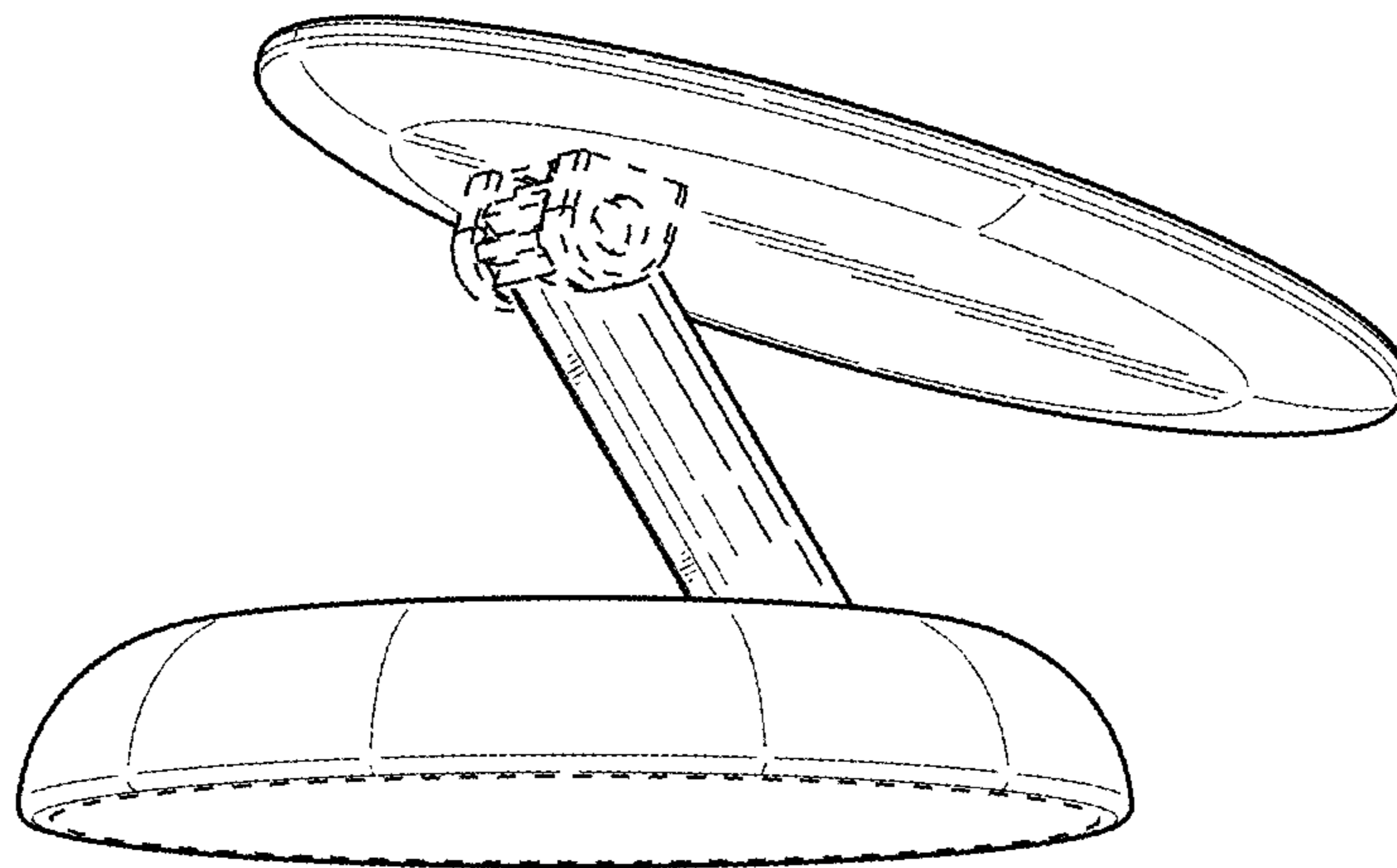


FIG. 10

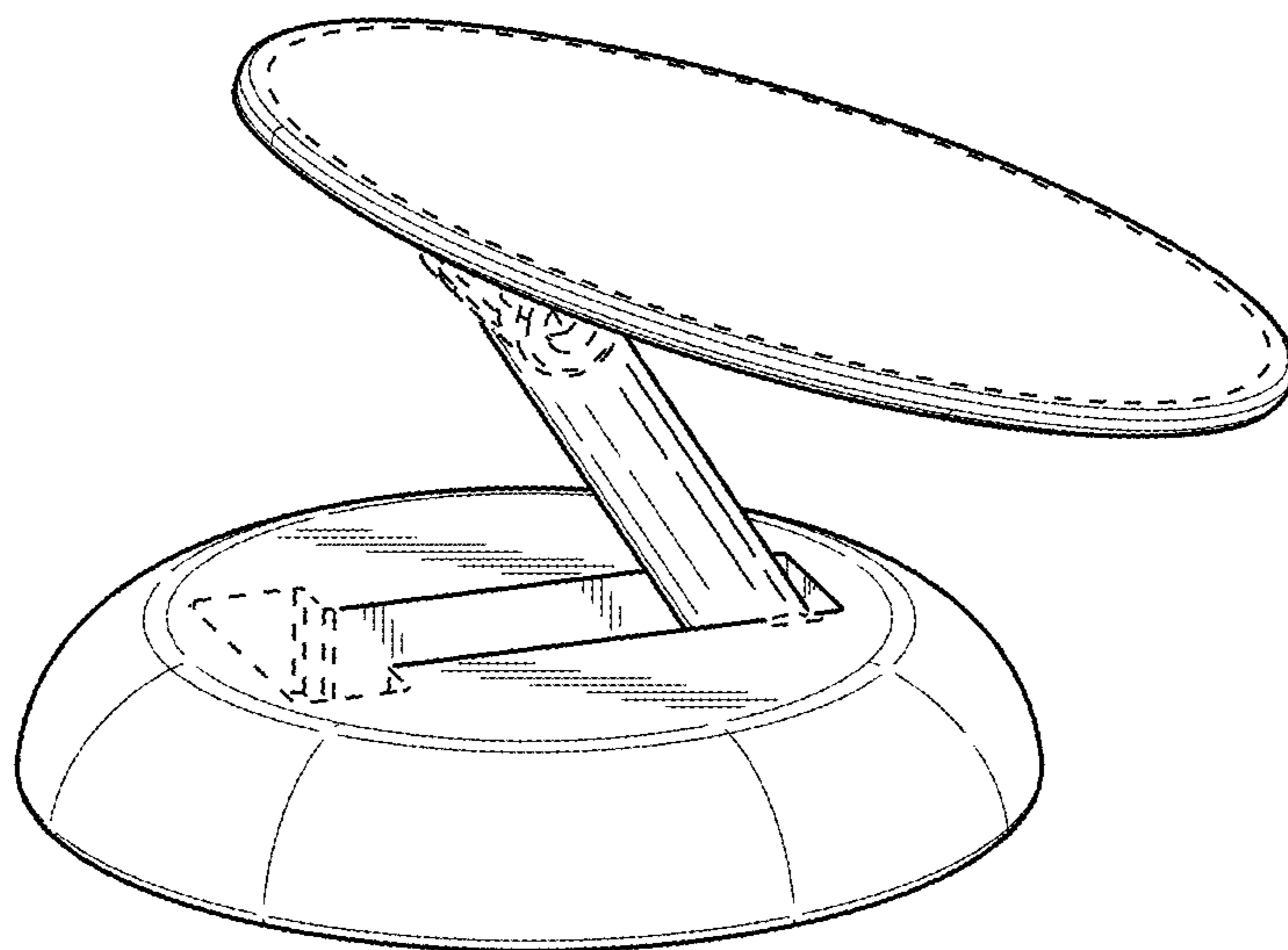


FIG. 11

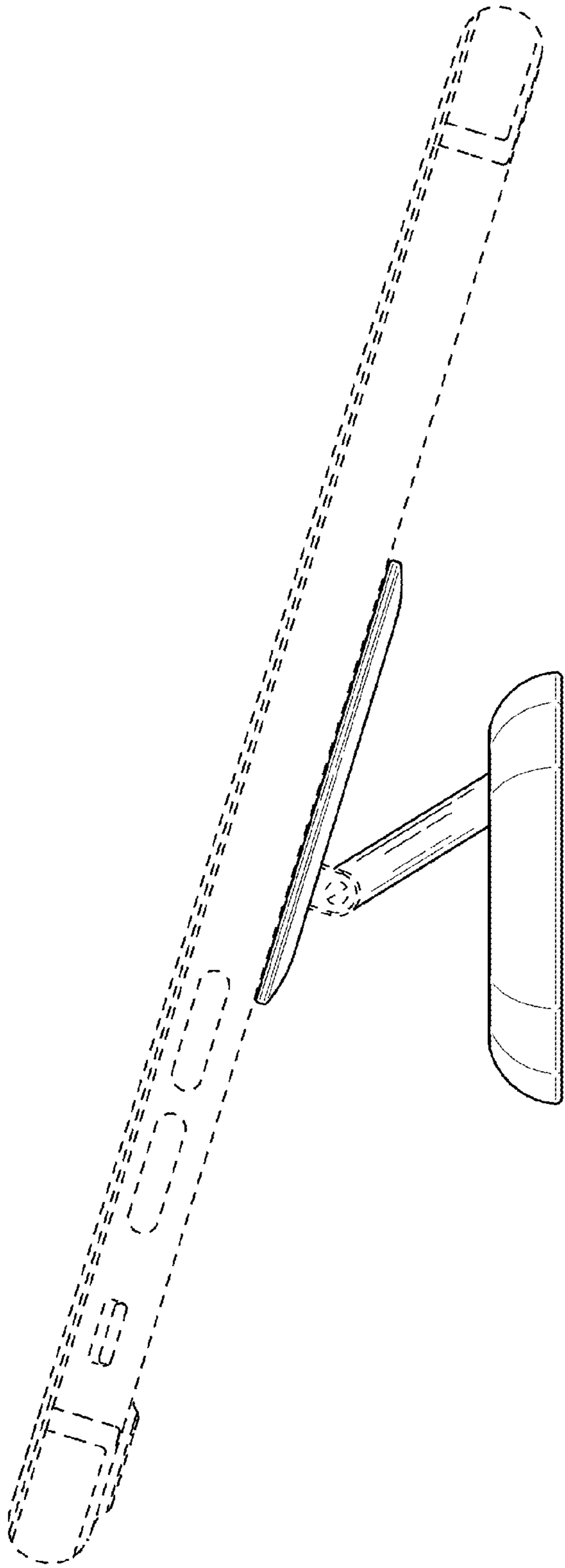


FIG. 12

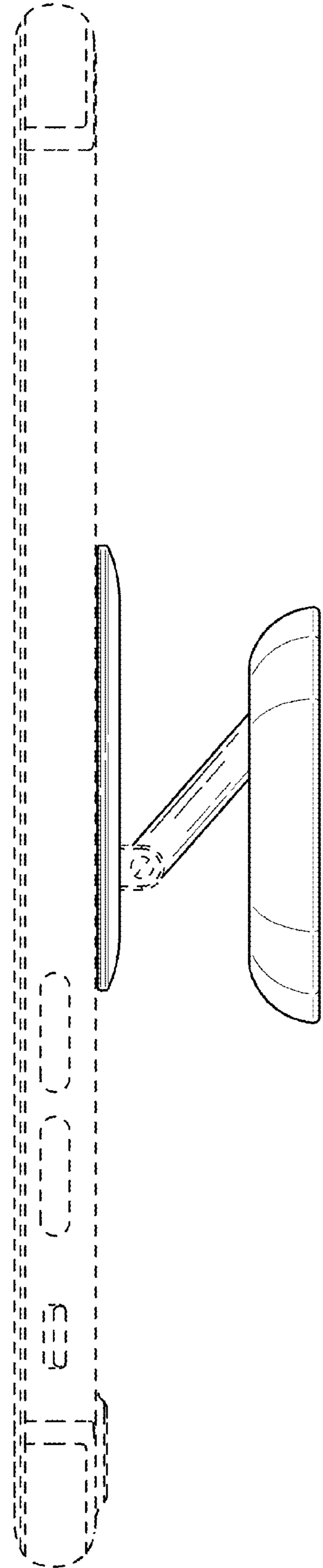


FIG. 13

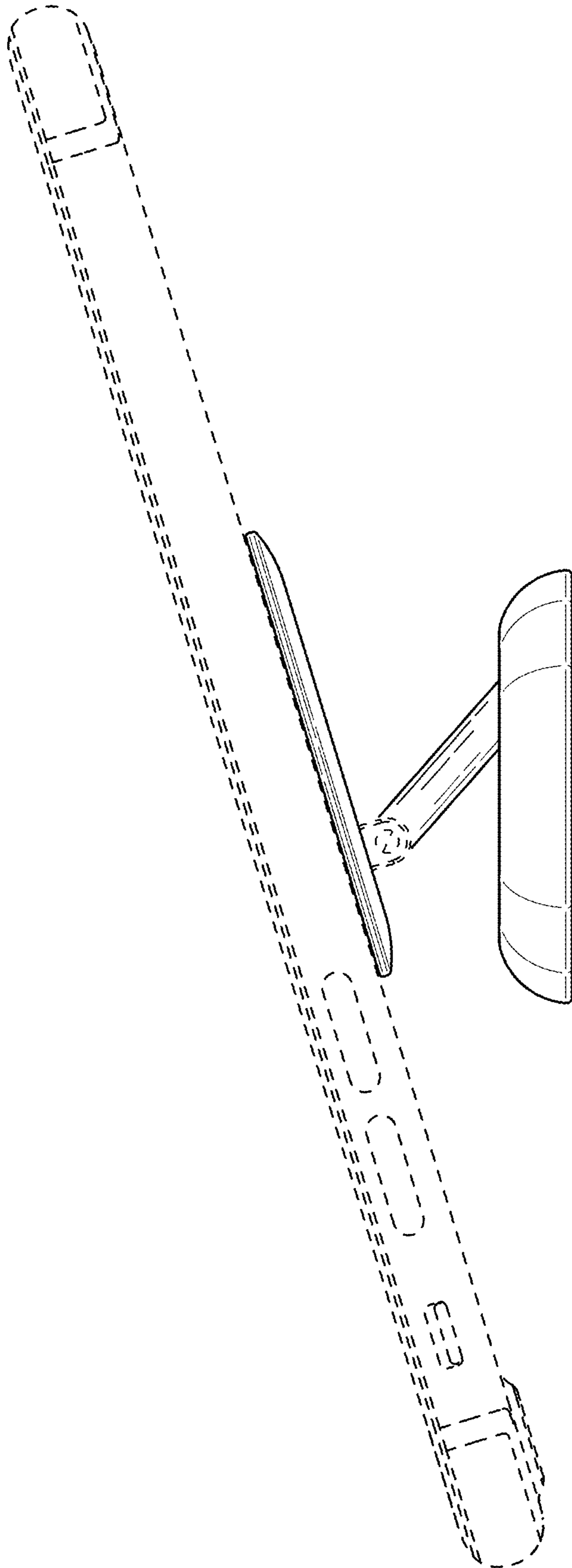


FIG. 14