

US00D870734S

(12) **United States Design Patent**  
**Memke et al.**

(10) **Patent No.:** **US D870,734 S**

(45) **Date of Patent:** **\*\* Dec. 24, 2019**

(54) **MOBILE COMPUTER**

(71) Applicant: **Hand Held Products, Inc.**, Fort Mill, SC (US)

(72) Inventors: **David Memke**, Bainbridge Island, WA (US); **Michael James Wells**, Lake Stevens, WA (US); **Dean J. Bidwell**, Renton, WA (US); **Hyung Kim**, Lynwood, WA (US)

(73) Assignee: **HAND HELD PRODUCTS, INC.**, Fort Mill, SC (US)

(\*\*) Term: **15 Years**

(21) Appl. No.: **29/669,589**

(22) Filed: **Nov. 9, 2018**

**Related U.S. Application Data**

(63) Continuation of application No. 29/599,372, filed on Apr. 3, 2017, now Pat. No. Des. 835,107.

(51) **LOC (12) Cl.** ..... **14-02**

(52) **U.S. Cl.**  
USPC ..... **D14/426**; D14/429

(58) **Field of Classification Search**

USPC ..... D14/420, 426-430, 453, 346, 341, 347, D14/412, 138; D13/107, 184; 358/473; 235/462.43, 462.45, 462.47, 462.48, 235/462.44, 462.46, 487, 472.01, 472.02, 235/145 A, 145 R; D10/78; 324/426; D3/273; 710/73; D18/7; 361/679, 728, 361/679.56; 382/313, 321; 455/575.1, 455/561, 572; 345/156, 168, 169, 172, 345/173, 87; 705/17, 18, 22-25  
CPC ..... G06F 1/626; G06F 1/1626; G06F 1/1656; G06F 1/1632; G06F 1/1684; G06F 1/1635; G06F 8/63; G06F 17/30091; G06F 9/4401; G06K 7/10881; G06K 7/1098; G06K 7/10722; G06K 7/1404; G06K 7/0004; G06K 7/10633; G06K

7/10851; G06K 7/1091; G06K 7/1092; G06K 7/1093; G06K 7/10; G06K 7/109; G06K 7/1417; G06K

(Continued)

(56) **References Cited**

**U.S. PATENT DOCUMENTS**

D505,422 S 5/2005 Kakizaki et al.  
D599,798 S 9/2009 Fitch et al.

(Continued)

*Primary Examiner* — Susan Moon Lee

(74) *Attorney, Agent, or Firm* — Alston & Bird LLP

(57) **CLAIM**

The ornamental design for a mobile computer, as shown in the accompanying drawings and described above.

**DESCRIPTION**

FIG. 1 is a top, rear, left perspective view of a mobile computer in accordance with the present invention;

FIG. 2 is a bottom, front, left perspective view of the mobile computer of FIG. 1;

FIG. 3 is a bottom, front, right perspective view of the mobile computer of FIG. 1;

FIG. 4 is a top plan view of the mobile computer of FIG. 1;

FIG. 5 is a bottom plan view of the mobile computer of FIG. 1;

FIG. 6 is a right elevation view of the mobile computer of FIG. 1;

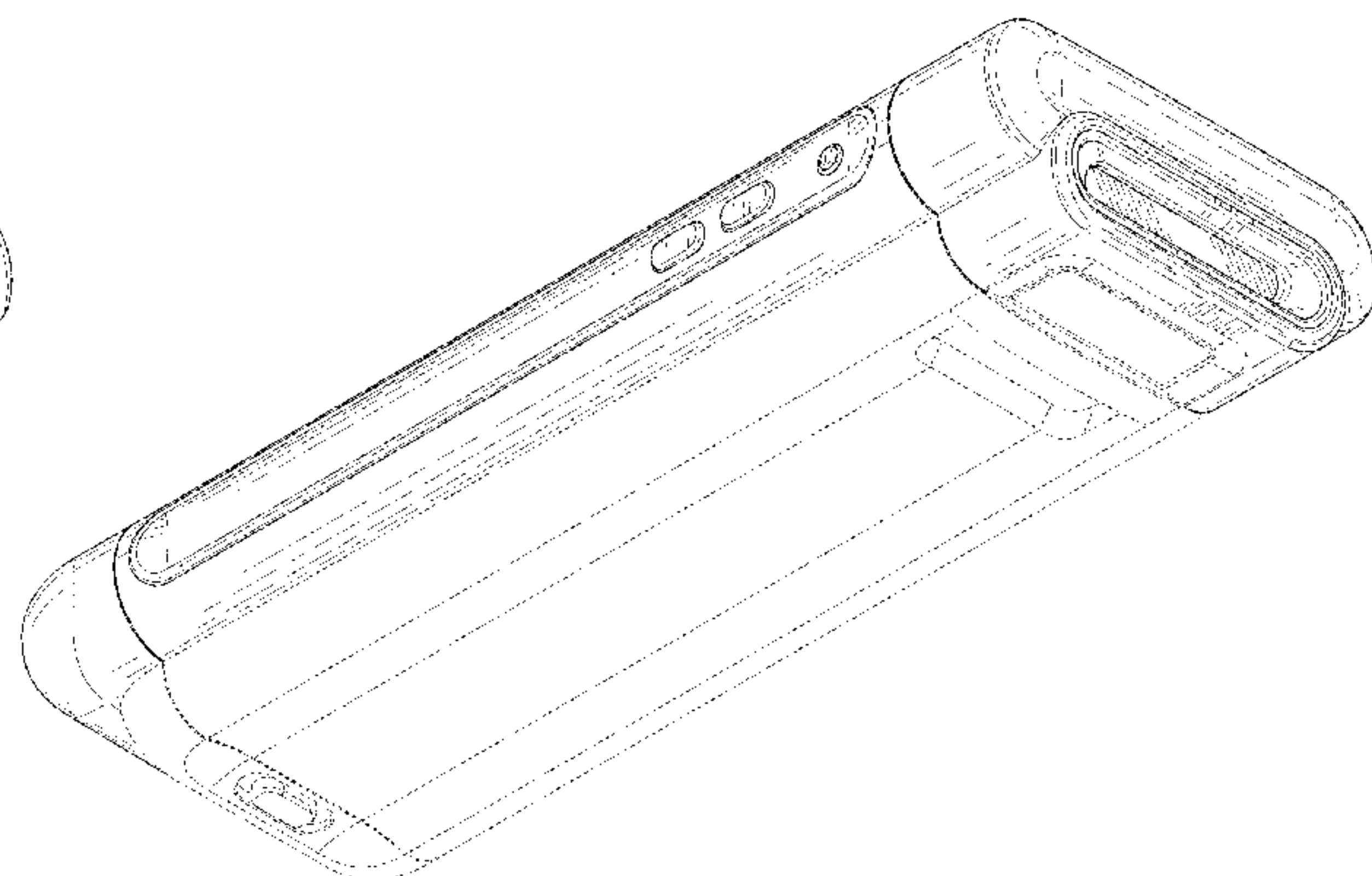
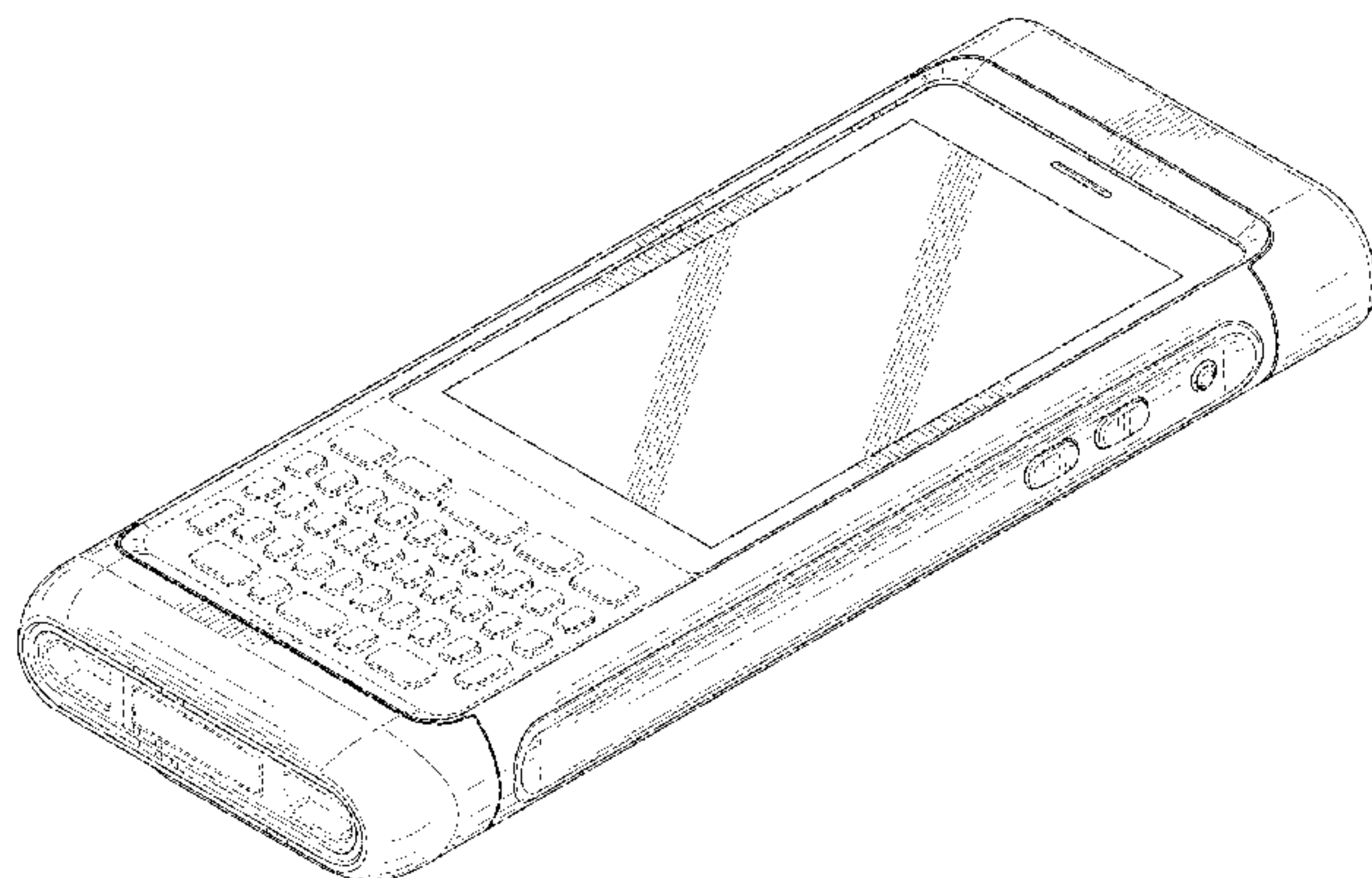
FIG. 7 is a left elevation view of the mobile computer of FIG. 1;

FIG. 8 is a rear elevation view of the mobile computer of FIG. 1; and,

FIG. 9 is a front elevation view of the mobile computer of FIG. 1.

The broken lines shown herein are for illustrative purposes and form no part of the claimed design.

**1 Claim, 7 Drawing Sheets**



(58) **Field of Classification Search**

CPC .... 9/228; G06K 17/0022; G06K 17/00; G06K  
2207/1011; G06K 2207/1013; G06K  
2207/1016; G06K 2207/1018; G06K  
2017/0051; G06K 2017/0067; G06K  
2007/10524; G07G 1/0081; G07G 1/009;  
G06Q 20/20; G06Q 20/201; G06Q  
20/202; G06Q 20/203; G06Q 20/30;  
G06Q 20/32; G06Q 20/322; G06Q  
20/4014; G06Q 10/087; H04N 1/00127;  
H04N 1/00135; H04N 1/00326; H04N  
1/00334; H04N 1/00307; H04N 1/107;  
H04N 2201/0084; H04N 2101/00; H04M  
1/0249; H04M 1/0262; H04M 1/0266;  
H04M 1/18; H04M 1/23; H04M 1/236;  
H04B 1/3827; H04B 1/3833; H04B  
1/3877; H04B 1/3883; H04B 1/3888;  
H04B 2001/3894; H01M 2/1066

See application file for complete search history.

(56)

**References Cited**

U.S. PATENT DOCUMENTS

|              |         |                |         |
|--------------|---------|----------------|---------|
| D614,626 S   | 4/2010  | Dai et al.     |         |
| D638,422 S   | 5/2011  | Reed et al.    |         |
| D674,796 S * | 1/2013  | Cullen .....   | D14/426 |
| D677,663 S   | 3/2013  | Minafo et al.  |         |
| D697,067 S   | 1/2014  | Minafo et al.  |         |
| D704,711 S   | 5/2014  | Minafo et al.  |         |
| D709,503 S * | 7/2014  | Chen .....     | D14/426 |
| D716,307 S   | 10/2014 | Paufler et al. |         |
| D732,534 S   | 6/2015  | Paufler et al. |         |
| D771,631 S   | 11/2016 | Fitch et al.   |         |
| D792,407 S   | 7/2017  | Fitch et al.   |         |
| D829,212 S * | 9/2018  | Bidwell .....  | D14/426 |
| D835,107 S * | 12/2018 | Memke .....    | D14/426 |

\* cited by examiner



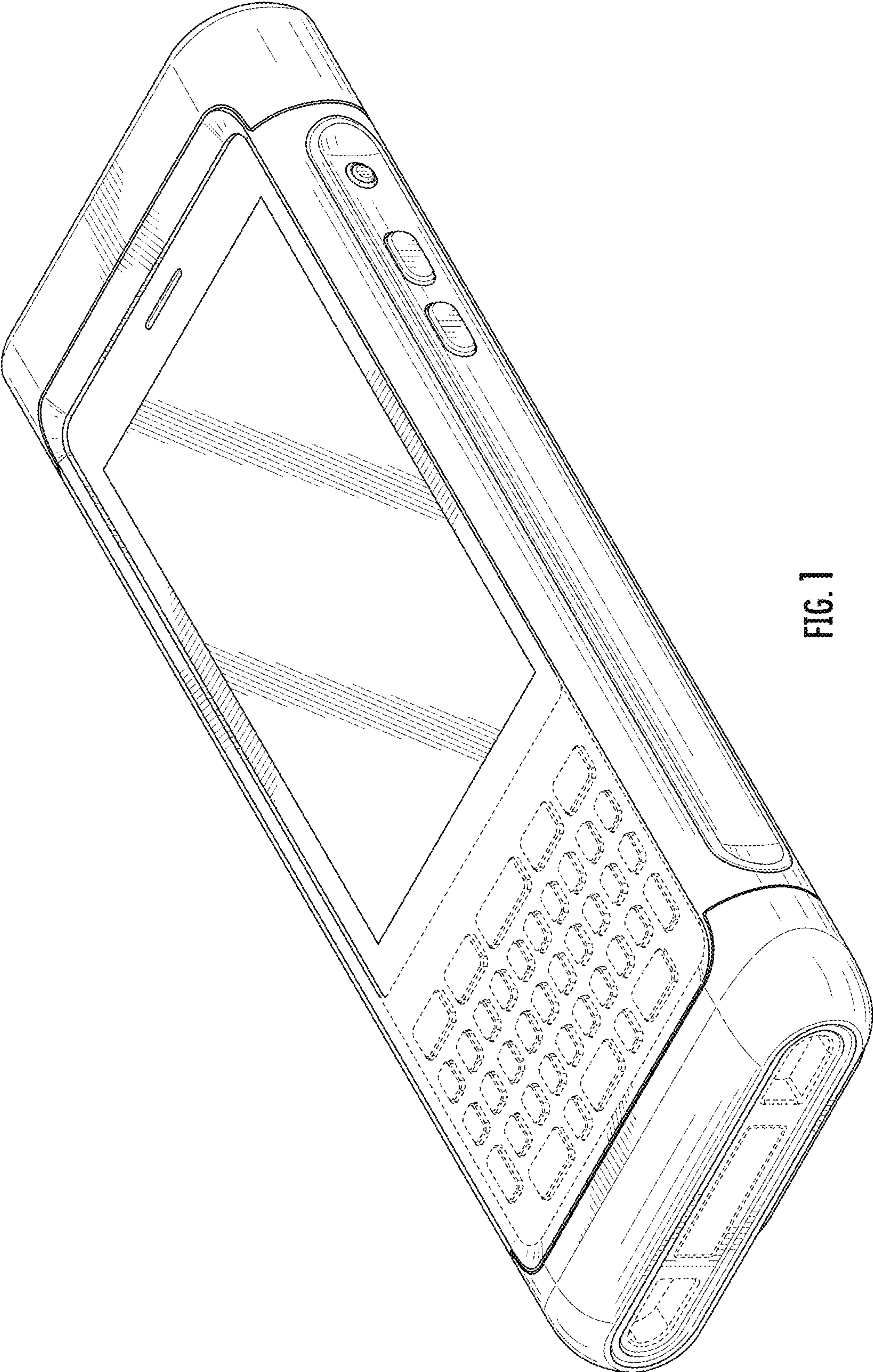


FIG. 1

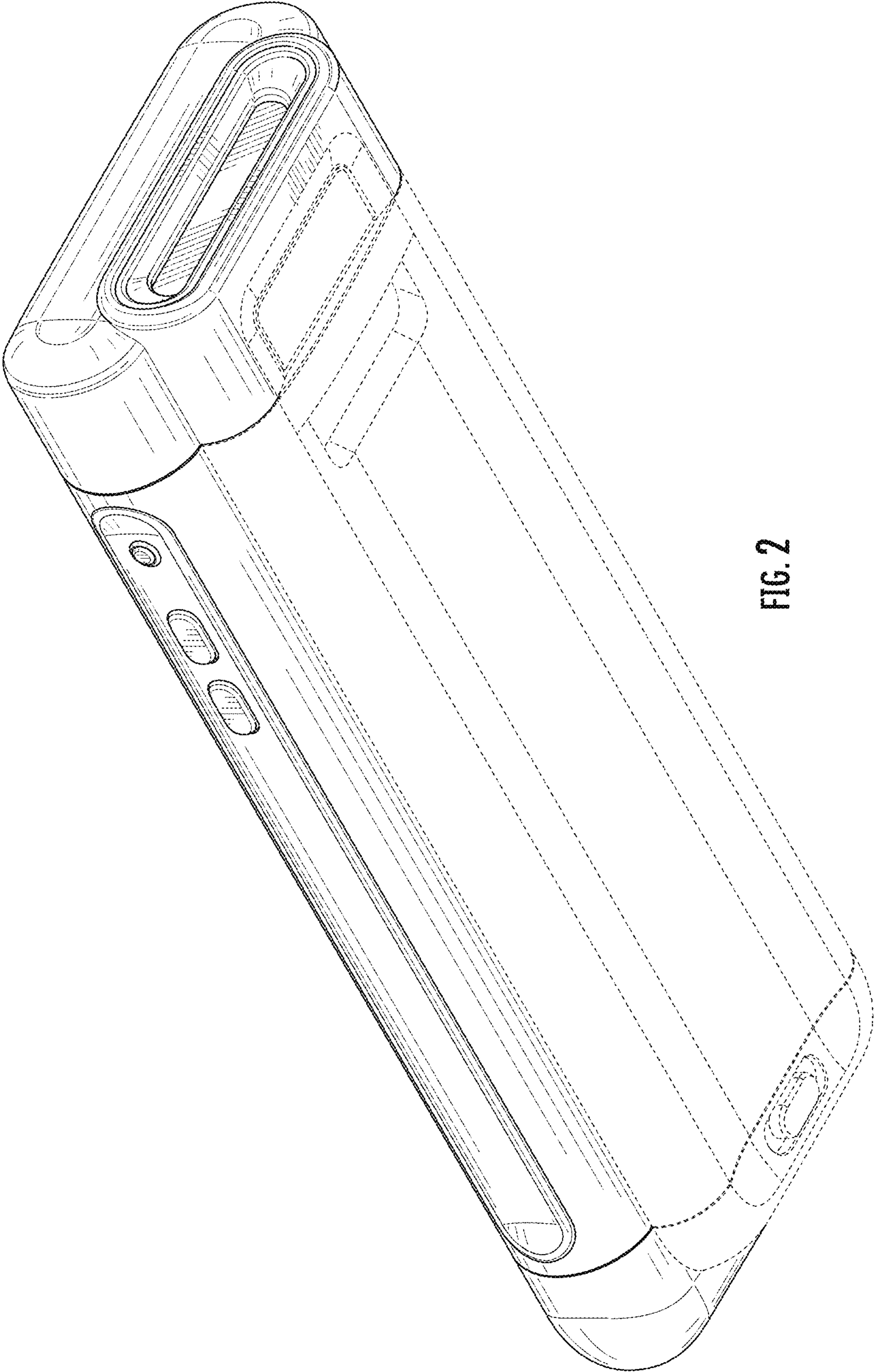


FIG. 2



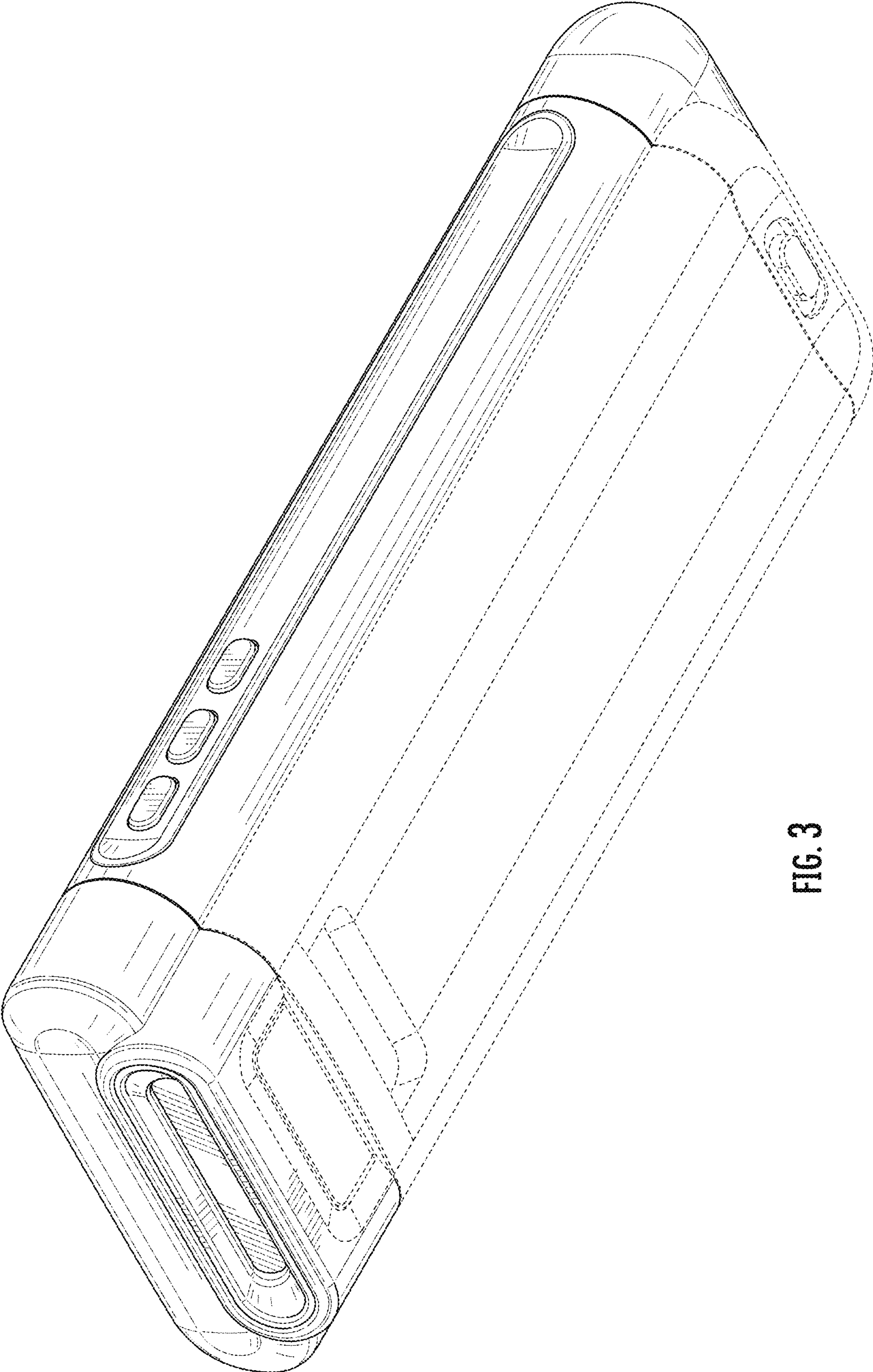


FIG. 3

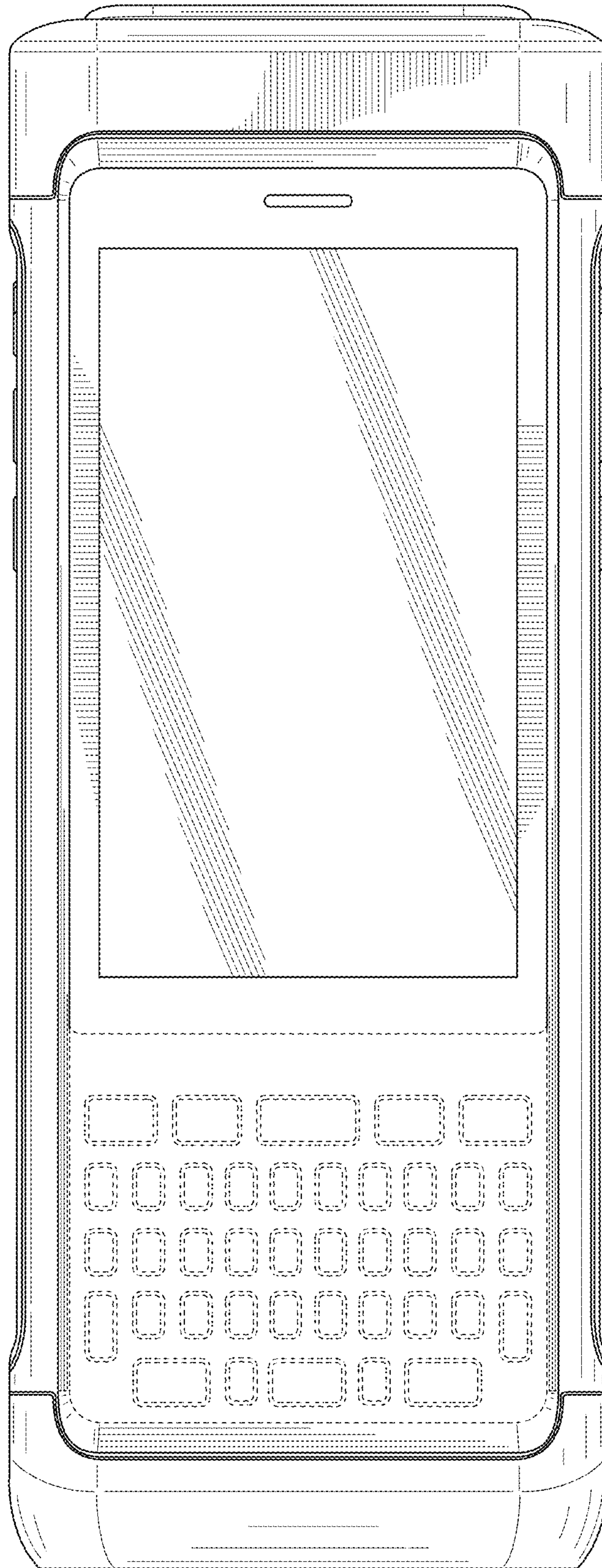


FIG. 4

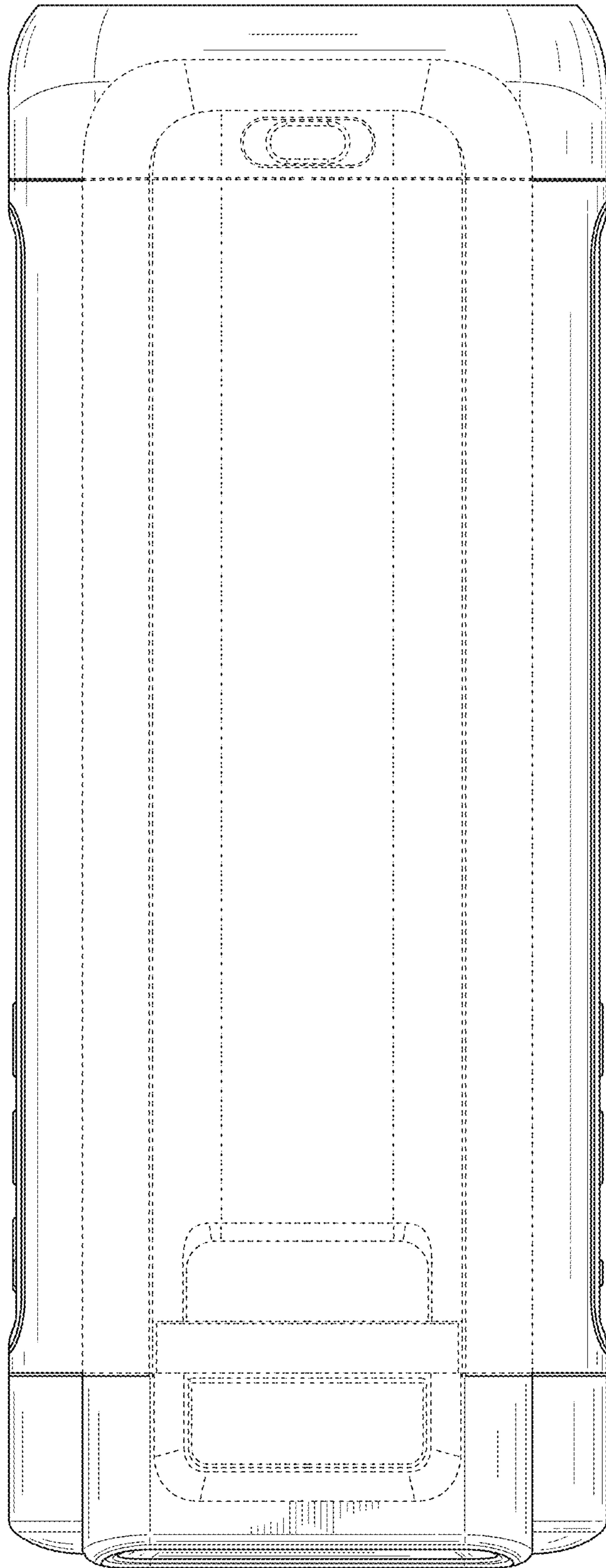


FIG. 5



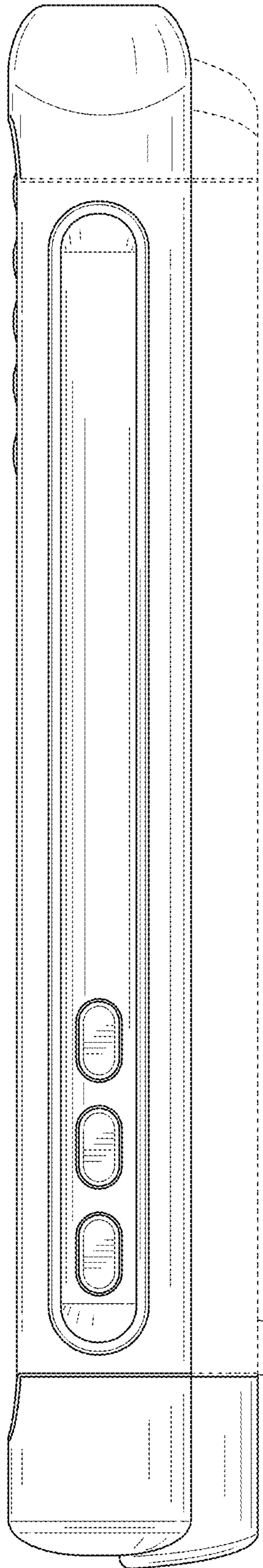


FIG. 6

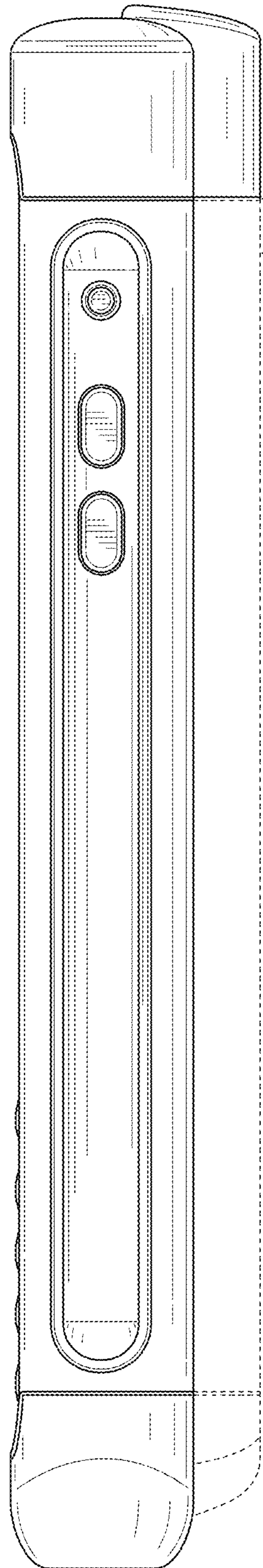


FIG. 7



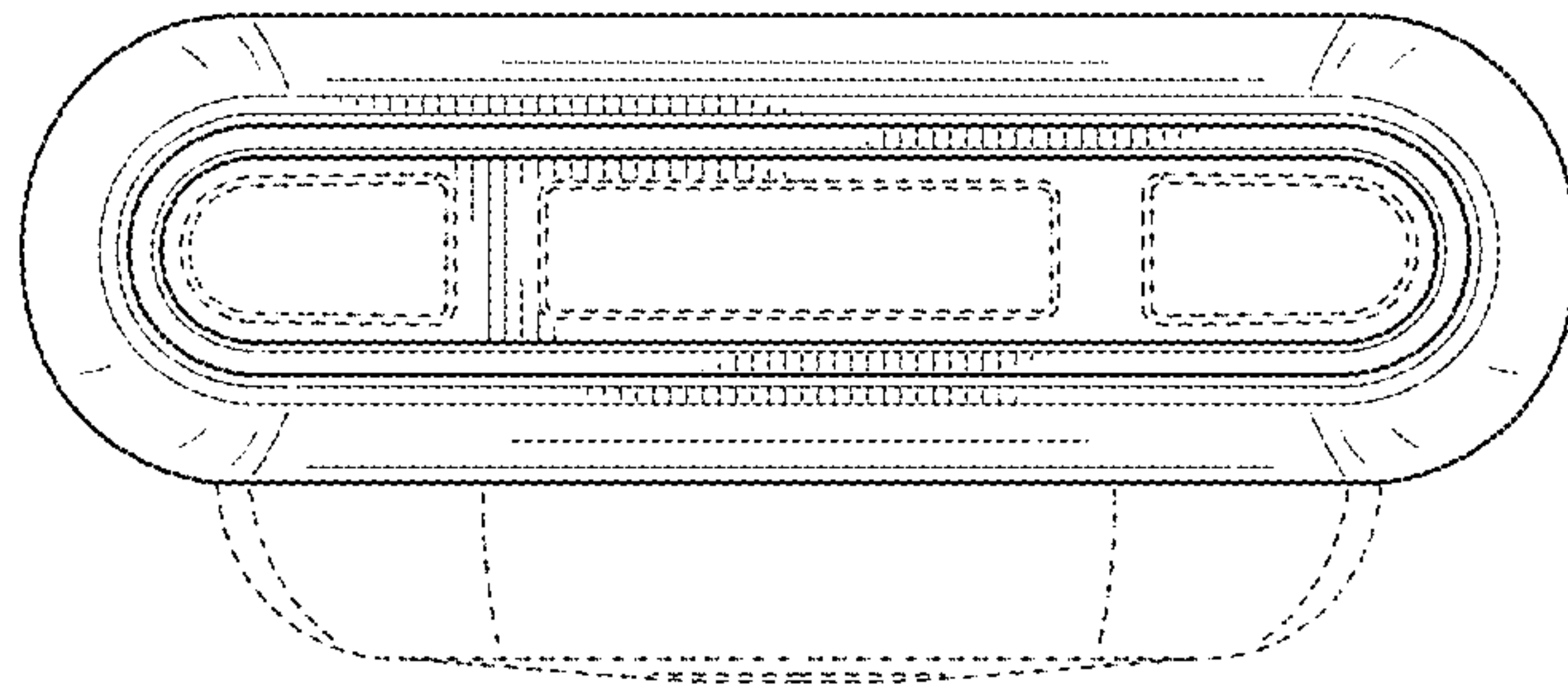


FIG. 8

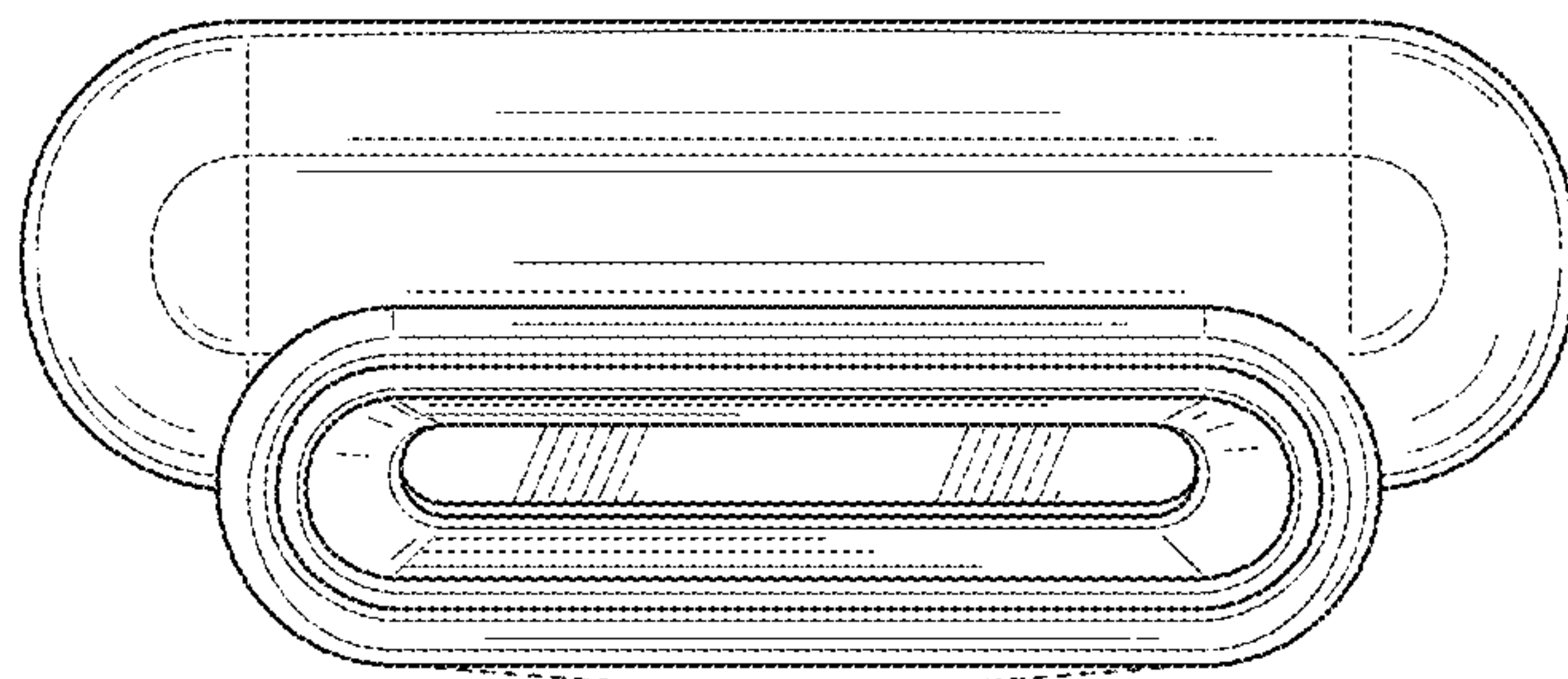


FIG. 9