



US00D870731S

(12) **United States Design Patent** (10) **Patent No.:** **US D870,731 S**
Kuo (45) **Date of Patent:** **** Dec. 24, 2019**

(54) **SCANNER FOR MOBILE COMPUTER**

(71) Applicant: **Getac Technology Corporation**,
Hsinchu County (TW)

(72) Inventor: **Hsiu-Yu Kuo**, Taipei (TW)

(73) Assignee: **GETAC TECHNOLOGY CORPORATION**, Hsinchu County (TW)

(**) Term: **15 Years**

(21) Appl. No.: **29/621,305**

(22) Filed: **Oct. 6, 2017**

(51) **LOC (12) Cl.** **14-02**

(52) **U.S. Cl.**
USPC **D14/420**

(58) **Field of Classification Search**

USPC D14/420, 426-439, 453, 356-358, D14/383-386, 217, 474, 480.1-480.7, D14/483, 484.1, 433, 341, 342, 315-329, D14/440; 235/462.01, 462.11, 462.43, 235/462.45, 462.49, 472.01, 385, 454, 235/440, 462.13, 439, 492, 380, 375, 486, 235/382, 451, 487, 381, 441, 472.02, 235/472.03, 462.47, 462.41, 462.46, 493; 382/313, 321, 318; 358/473, 474, 483; 250/215, 216; D26/37-50, 24; 362/157, 362/158, 171-174, 183-208; 396/427; D18/4.6; D13/158, 162, 171, 147, 164, D13/108, 110, 103; 710/73; D16/200, D16/202, 203, 208, 211, 212, 219, 237, D16/239, 130, 134, 136

CPC G06K 7/10584; G06K 7/10613; G06K 7/10881; G06K 7/109; G06K 7/10693; G06K 7/10871; G06K 7/1096; G06K 7/10; G06K 7/10564; G06K 7/10594; G06K 7/10603; G06K 7/10663; G06K 7/10673; G06K 7/10702; G06K 7/10792; G06K 7/10633; G06K 7/10653; G06K 7/10891; G06K 7/14; G06K 7/1443; G06K 7/10801; G06K 7/10811; G06K

7/10851; G06K 7/10861; G06K 2207/1011; G06K 2207/1012; G06K 2207/1013; G06K 2207/1016; G06K 2207/1017; G06K 2207/1018; G06K 2207/10534; G06K 17/0022; G06K 7/12; G06K 7/1097; G06K

(Continued)

(56) **References Cited**

U.S. PATENT DOCUMENTS

D295,413 S * 4/1988 Nakamura D14/420
6,195,053 B1 * 2/2001 Kodukula G06K 7/0004
235/462.47

(Continued)

Primary Examiner — Susan Moon Lee

(74) *Attorney, Agent, or Firm* — Locke Lord LLP; Tim Tingkang Xia, Esq.

(57) **CLAIM**

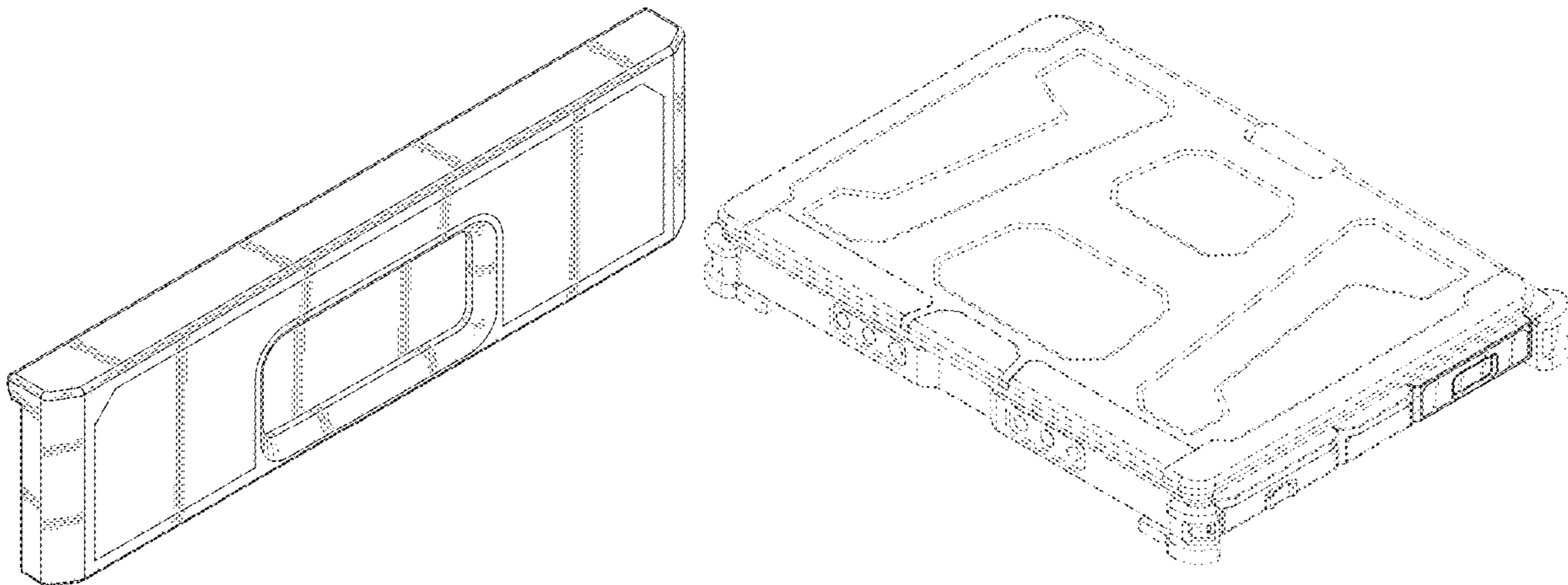
The ornamental design for a scanner for mobile computer, as shown and described.

DESCRIPTION

FIG. 1 is a top front left perspective view of a scanner for mobile computer according to my new design; FIG. 2 is a bottom rear right perspective view thereof; FIG. 3 is a front view thereof; FIG. 4 is a rear view thereof; FIG. 5 is a left side view thereof; FIG. 6 is a right side view thereof; FIG. 7 is a top view thereof; FIG. 8 is a bottom view thereof; and, FIG. 9 is an environmental top front right perspective view thereof, in which the scanner is shown in use with an exemplary mobile computer.

The broken lines are directed to environment and are for illustrative purpose only; the broken lines form no part of the claimed design.

1 Claim, 9 Drawing Sheets



(58) **Field of Classification Search**

CPC 7/1098; G06K 7/1091; G06K 7/10623;
 G06K 2007/10524; G06K 19/0614; A47F
 9/046; A47F 9/047; G07G 1/0045; G04N
 5/23238; G04N 5/2252; G04N 5/2251;
 G03B 17/02; B25H 5/00; B66F 7/28;
 G02B 26/10; G02B 26/106; G07F
 11/002; G07F 11/02; G06Q 20/343;
 G06Q 30/0185; G06F 2203/0331; G06F
 1/1696; G06F 1/1632; G06F 1/1656;
 G06F 1/1658; G06F 1/1684; G06F
 1/1698; G06F 1/1626; G06F 1/163; G06F
 3/00; G06F 3/002; H04N 1/107; H04N
 1/00127; H04N 1/00204; H04N
 2201/007; H04N 2201/0072; H04N
 2201/0074; H04N 2201/0015; H04N
 2201/0075; H04N 2201/0077; H04N
 2201/0079; H04N 2201/0081; H04N
 2201/0096; H04N 2201/0051; H04N
 2201/0053

See application file for complete search history.

(56) **References Cited**

U.S. PATENT DOCUMENTS

D462,691 S * 9/2002 Attwood D14/439
 D462,967 S * 9/2002 Suzuki D14/315
 D470,522 S * 2/2003 Friedrichs D16/208
 D470,878 S * 2/2003 Laituri D16/211
 D543,569 S * 5/2007 Clark D16/211
 D545,321 S * 6/2007 Frank D14/439
 D556,204 S * 11/2007 Tosh D14/439
 D590,401 S * 4/2009 Mandel D14/439
 D614,223 S * 4/2010 Kim D16/202
 D619,582 S * 7/2010 Chen D14/385
 D620,037 S * 7/2010 Kim D16/202
 D620,512 S * 7/2010 Kao D16/202
 D620,514 S * 7/2010 Kim D16/208
 D622,273 S * 8/2010 Hayton D14/439
 D624,107 S * 9/2010 Goldenberg D14/138 G
 D628,221 S * 11/2010 Chen D16/202
 D628,222 S * 11/2010 Tzeng D16/202
 D632,718 S * 2/2011 Tzeng D16/202
 D636,422 S * 4/2011 Hou D16/202
 D639,839 S * 6/2011 Kao D16/202
 D641,388 S * 7/2011 Shih D16/202
 D649,996 S * 12/2011 Hou D16/202
 D654,942 S * 2/2012 Khamsepoor D16/202
 D660,338 S * 5/2012 Chen D16/202
 D662,532 S * 6/2012 Chang D16/202
 D662,636 S * 6/2012 Katsaros D26/60
 D664,579 S * 7/2012 Tzeng D16/202
 D665,439 S * 8/2012 Khamsepoor D16/202
 D669,617 S * 10/2012 Huckestein D26/60
 D670,264 S * 11/2012 Tsai D14/172
 D674,427 S * 1/2013 Khamsepoor D16/202
 D678,380 S * 3/2013 Pardo D16/202
 D678,573 S * 3/2013 Lane D26/60
 D697,917 S * 1/2014 Sato D14/420

D698,841 S * 2/2014 Lee D16/202
 D700,606 S * 3/2014 Lo D14/385
 D701,862 S * 4/2014 Lee D14/420
 D706,266 S * 6/2014 Rotsaert D14/385
 D710,358 S * 8/2014 Park D14/385
 D710,361 S * 8/2014 Park D14/420
 D711,876 S * 8/2014 McWilliam D14/385
 D716,304 S * 10/2014 Orthey D14/385
 D717,304 S * 11/2014 Yturalde D14/250
 D717,799 S * 11/2014 Lee D14/420
 D719,159 S * 12/2014 Nguyen D14/385
 D719,166 S * 12/2014 Brown D14/250
 D719,167 S * 12/2014 Brown D14/250
 D723,204 S * 2/2015 McGowan D26/28
 D729,801 S * 5/2015 Daniel D14/307
 D732,034 S * 6/2015 Chen D14/420
 D734,752 S * 7/2015 Chen D14/420
 D740,287 S * 10/2015 Peschel D14/385
 D741,330 S * 10/2015 Chen D14/420
 9,197,850 B2 * 11/2015 Koberling H04N 5/2251
 D747,387 S * 1/2016 Swen D16/211
 D754,130 S * 4/2016 Garcia D14/420
 D762,214 S * 7/2016 Nguyen D14/385
 D768,135 S * 10/2016 Ignomirello D14/432
 D768,136 S * 10/2016 Ignomirello D14/432
 D774,510 S * 12/2016 Rotsaert D14/385
 D789,359 S * 6/2017 Zheng D14/356
 D795,869 S * 8/2017 Templeton D14/385
 D797,740 S * 9/2017 Nguyen D14/385
 D803,833 S * 11/2017 He D14/385
 D804,479 S * 12/2017 Harris D14/385
 D809,174 S * 1/2018 Liang D26/60
 D813,866 S * 3/2018 Elmieh D14/356
 D814,467 S * 4/2018 Long D14/385
 D814,468 S * 4/2018 Long D14/385
 D815,093 S * 4/2018 Long D14/385
 D818,516 S * 5/2018 Yamakose D16/211
 D820,894 S * 6/2018 Tang D16/202
 D821,401 S * 6/2018 Siebels D14/420
 D821,476 S * 6/2018 Martin D16/202
 D833,437 S * 11/2018 Campanini D14/420
 D836,154 S * 12/2018 Gustaveson, II D16/237
 D839,946 S * 2/2019 De Vries D16/237
 D842,302 S * 3/2019 Man D14/420
 D848,418 S * 5/2019 Jun D14/356
 D857,016 S * 8/2019 Long D14/385
 10,423,197 B2 * 9/2019 Wong G06F 1/1696
 2007/0253703 A1 * 11/2007 Tsai G03B 17/02
 396/429
 2010/0084529 A1 * 4/2010 Depay F16M 11/10
 248/229.22
 2010/0302436 A1 * 12/2010 Gasnier G06F 1/1605
 348/373
 2013/0157351 A1 * 6/2013 Ozcan G01N 21/6486
 435/288.7
 2014/0253735 A1 * 9/2014 Fox H04N 5/2252
 348/164
 2016/0342225 A1 * 11/2016 Birecki G06F 3/14
 2017/0312446 A1 * 11/2017 Kunz A61M 5/24
 2019/0065797 A1 * 2/2019 Cheng G06K 7/10821
 2019/0102519 A1 * 4/2019 Durand A61B 90/96
 2019/0251310 A1 * 8/2019 Oberpriller G06K 7/10386

* cited by examiner

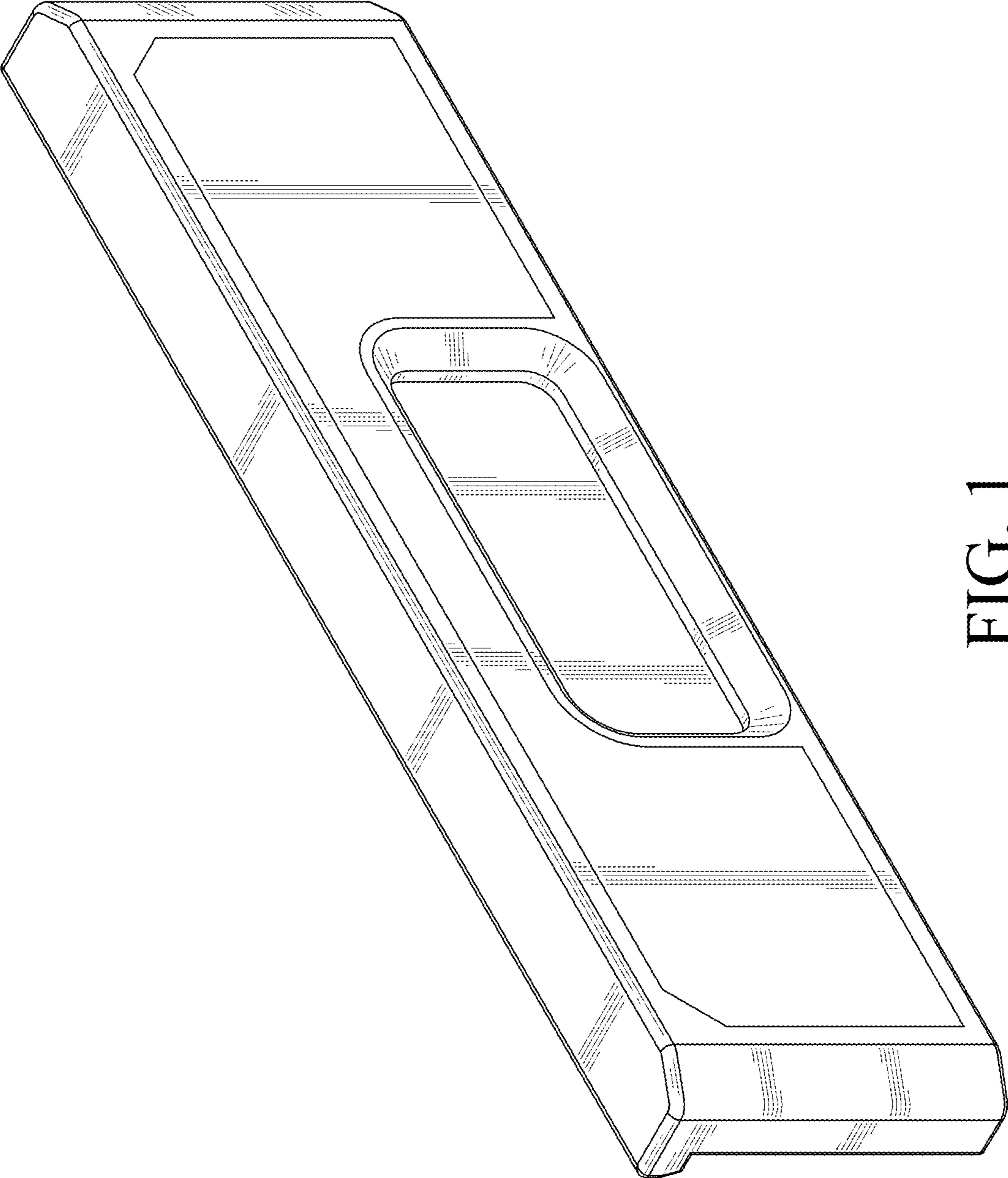


FIG. 1

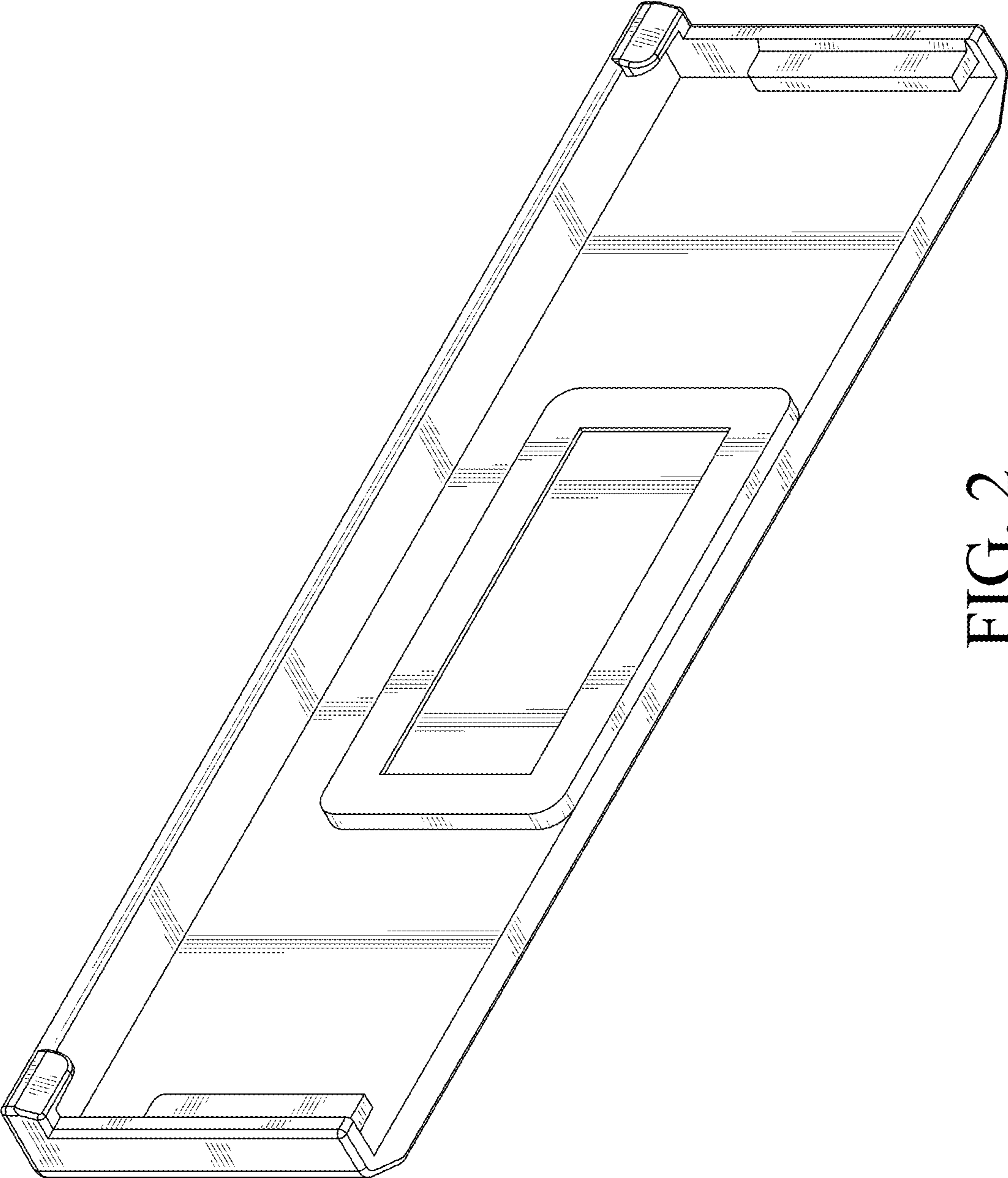


FIG. 2

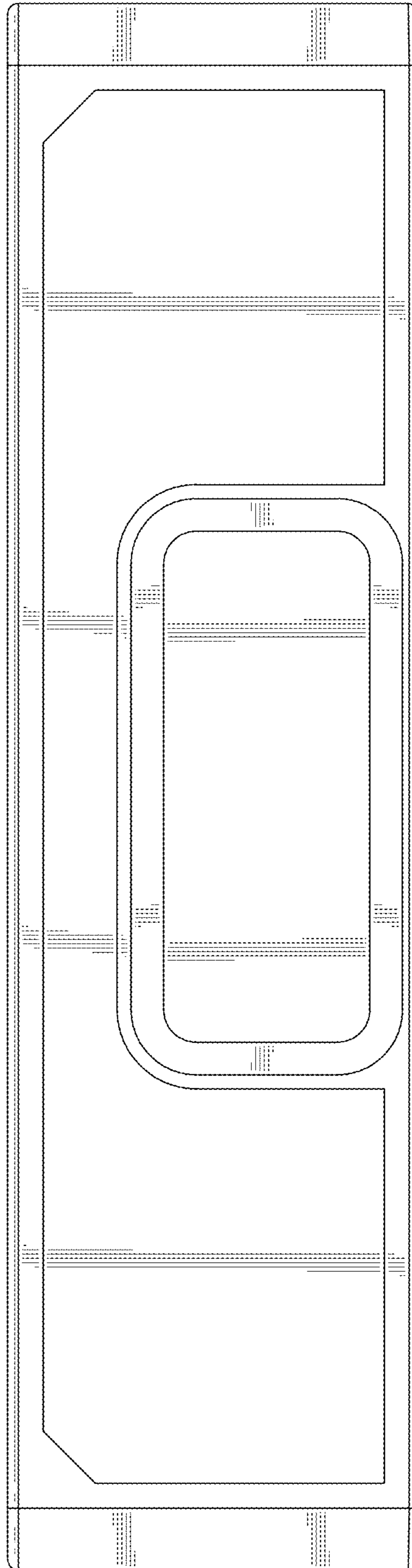


FIG. 3

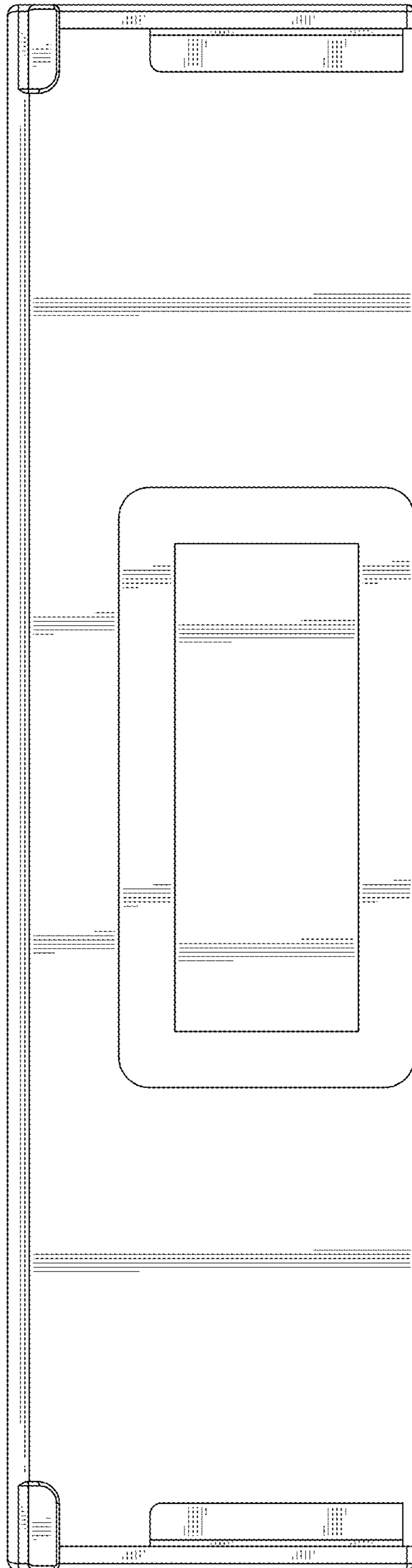


FIG. 4

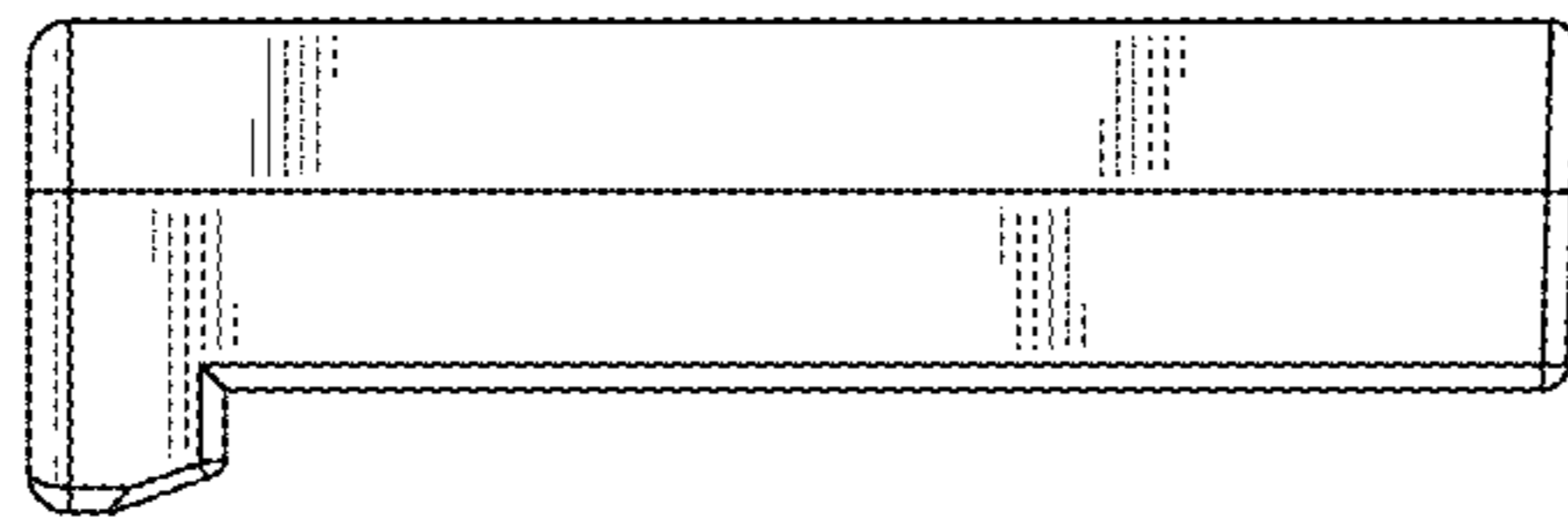


FIG. 5

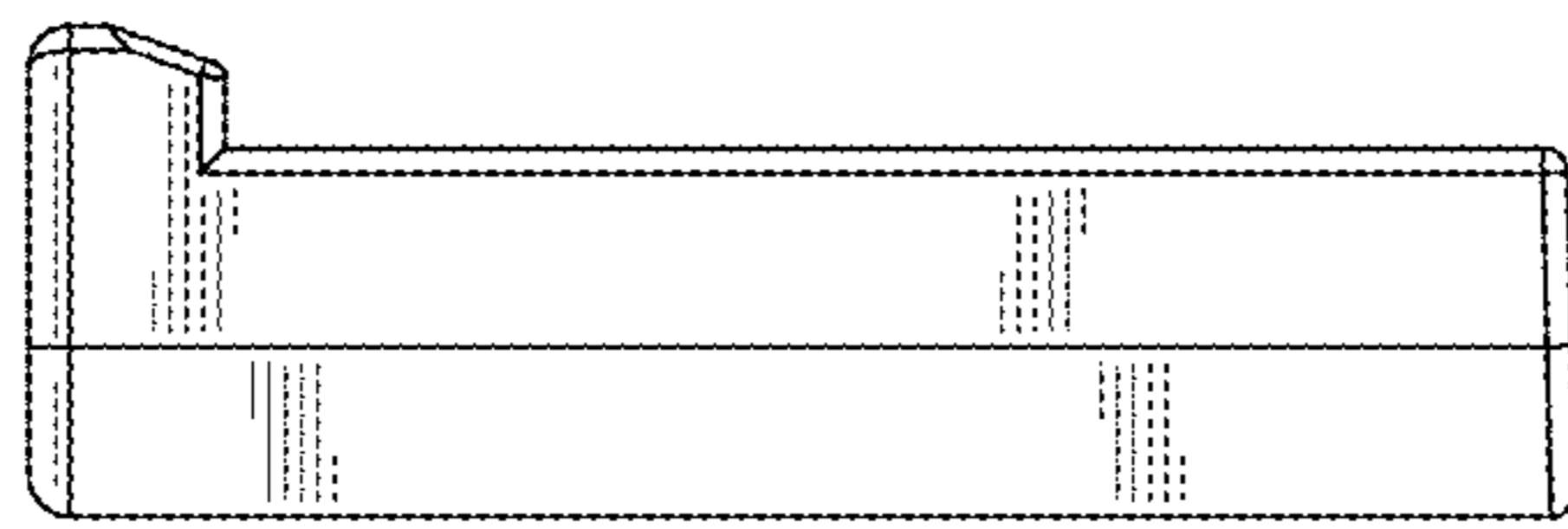


FIG. 6

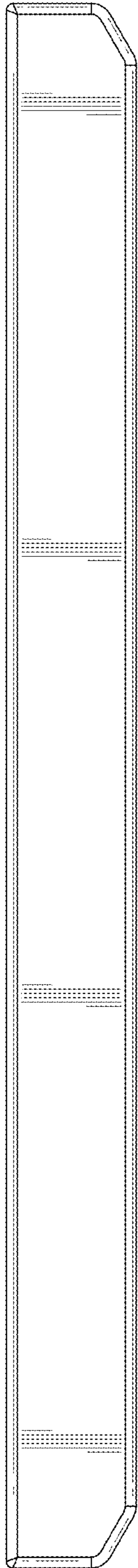


FIG. 7

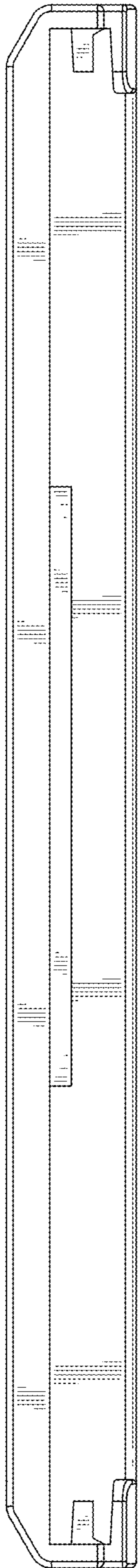


FIG. 8

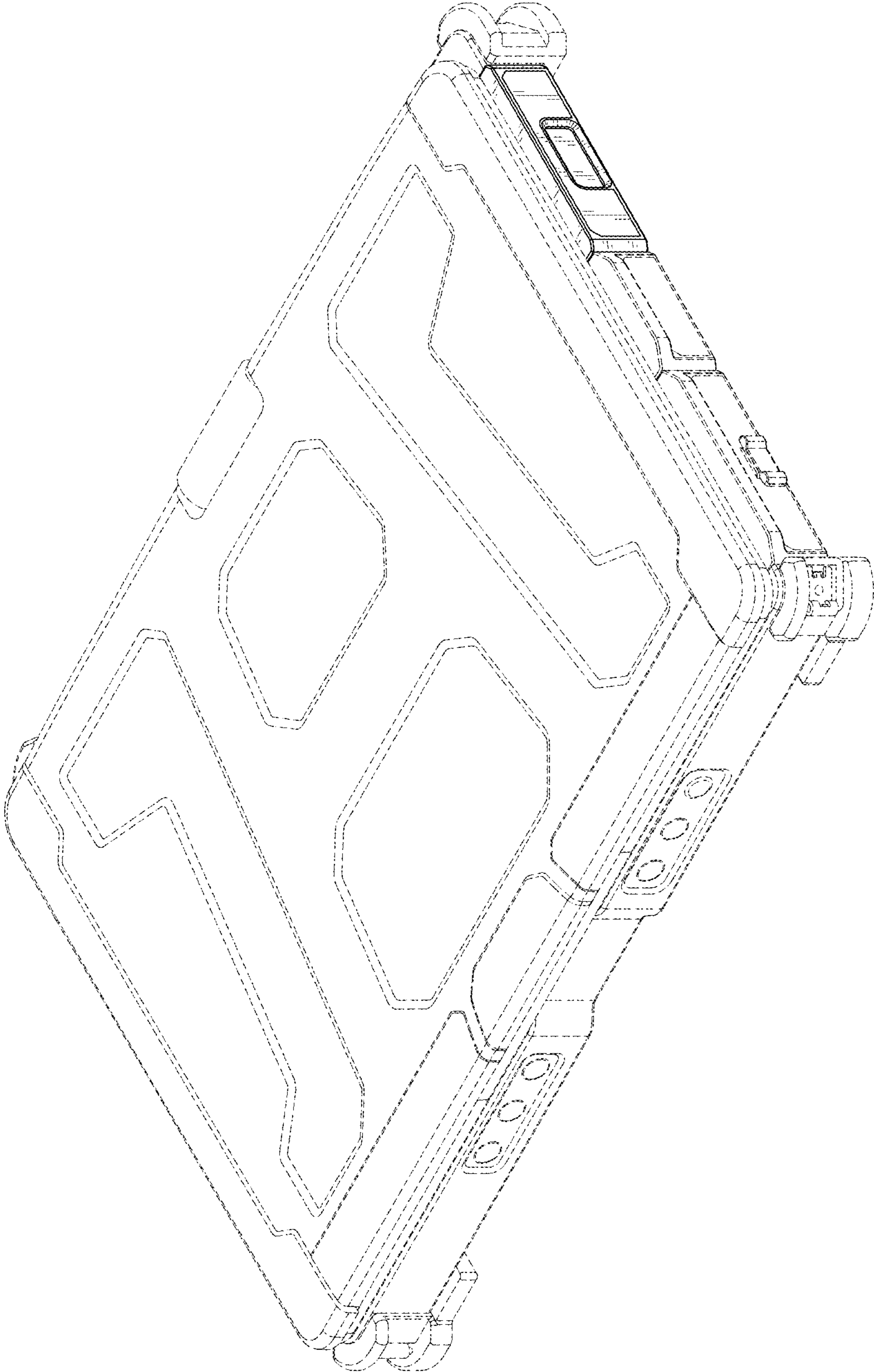


FIG. 9